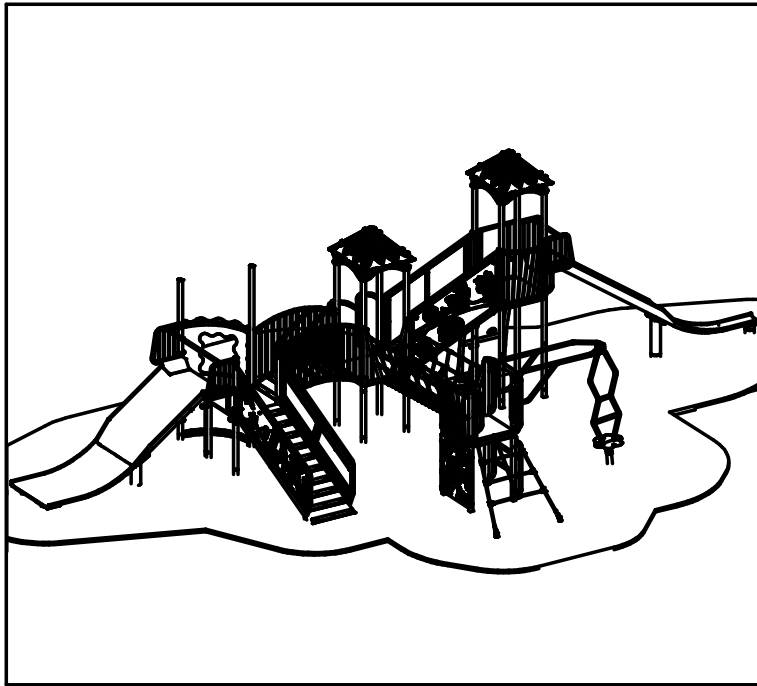
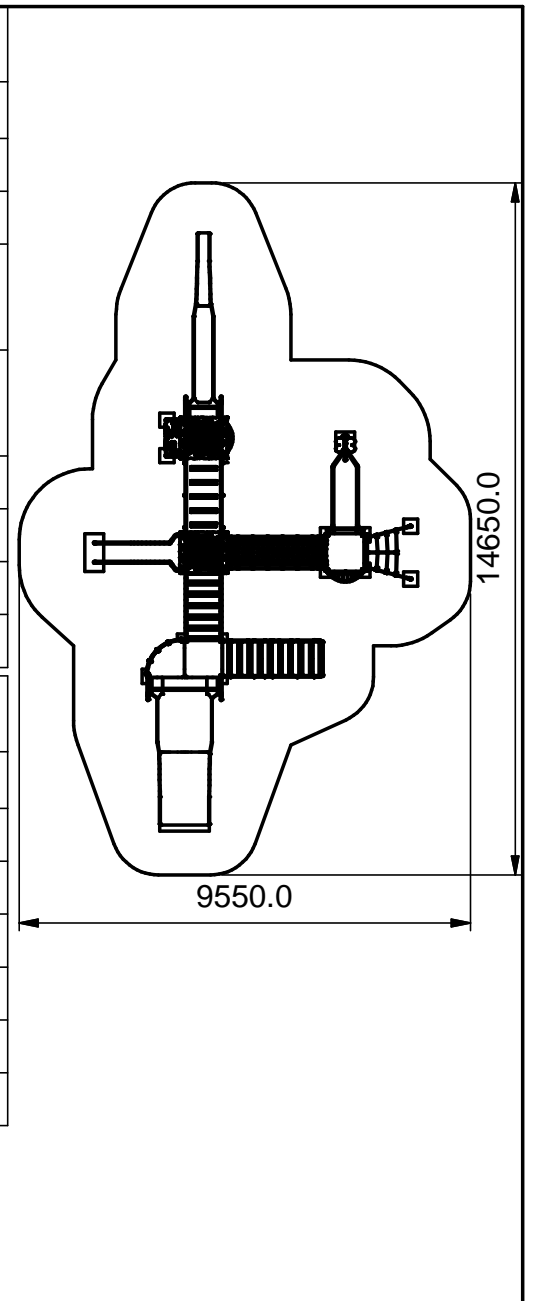


Specification Sheet



Treetop Towers	
Canopy	
PROD. CODE	675-CANO-SS
SIZE	12.66x6.75x3.92m
AGE RANGE	Junior to adult
F/ FALL HEIGHT	1665mm
HEAVIEST PART	Approx 150 kg
TOTAL WEIGHT	Approx 1565 kg

Surfacing Details	
Surfacing	Size/Quantity
Minimum Space	14.6m x 9.9m
Wetpour Area	82.5 Sq Metres
	18.0 Sq Metres for FFH 1665mm
	64.5 Sq Metres for FFH 990mm
Wetpour Linear Edging	40 Metres
Grass Mats (1500x1000mm)	67 off
Bark -Loose fill	92 Sq Metres
Bark Linear Edging	40 Metres



Specification Details	
Material	Specification
Mild Steel Plate	EN 10025: 2004
High Density Polyethylene (HDPE)	EN ISO 14632: 1998
Polyester Powder Paint	EN 13438: 2005
Welding	EN 14341: 2011
Standard Fixings	BS3692 & 4190:2001
Non Standard Anti-Vandal Fixings	Corrosion Resistant