

Parallel Range.

Simple styling and robust construction

Parallel benches and tables are an ideal choice for outdoor dining areas that require a heavier duty and more contemporary-styled product than traditional timber picnic benches offer.

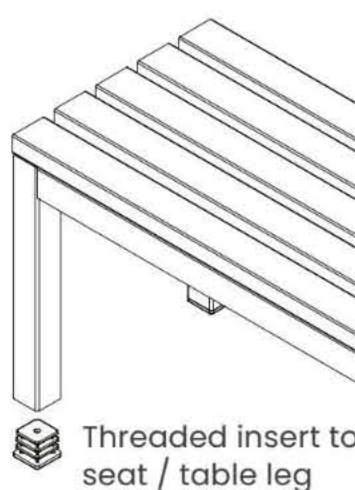
The combination of a steel frame and closely-spaced slats make the benches and tables sufficiently heavy to be used as freestanding units on secure sites, but are also offered as bolt-down and in-ground options for more public areas. Bench and table-top slats are in iroko hardwood as standard, with selected models also available in wood plastic composite material. Two standard lengths are offered, to comfortably accommodate either 3 or 4 people per side.

Fixing options

1. Freestanding:
with levelling
foot



2. Bolting down
through base
plate



Threaded insert to
seat / table leg

3. In-ground fixing
with threaded stud



Parallel Range.

Freestanding units, galvanised steel frame with iroko slats, smooth planed finish

Options

- Steelwork in triple process coated (PPC) finish to any RAL colour reference
- Timbers with UV protective finish
- Wood plastic composite (WPC) slats (1800mm long versions only)
- Base-plated legs for bolt-down installation
- Threaded studs for for in-ground installation

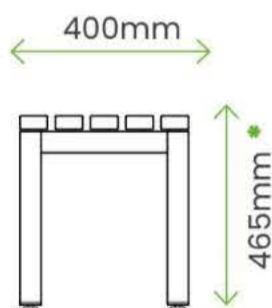
* Notes re. heights:

The heights above ground level of bench & table modules vary slightly for different ground fixing options:

1. Freestanding: dimensions as specified
2. Bolting down: 10mm lower than specified
3. In-ground fixing: 15mm lower than specified

All fixing types use a bolt / stud that screws into the insert fitted into the leg, allowing height adjustment of up to 20mm. On sloping sites each leg can be adjusted independently so that top surfaces can be levelled.

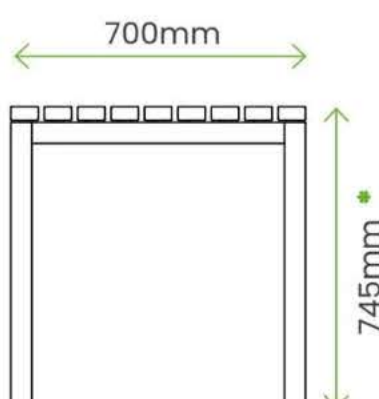
Benches



3 PERSON BENCH, 1800MM LONG PPB6

4 PERSON BENCH, 2400MM LONG PPB8

Tables



6 PERSON TABLE, 1800MM LONG PPT6

8 PERSON TABLE, 2400MM LONG PPT8