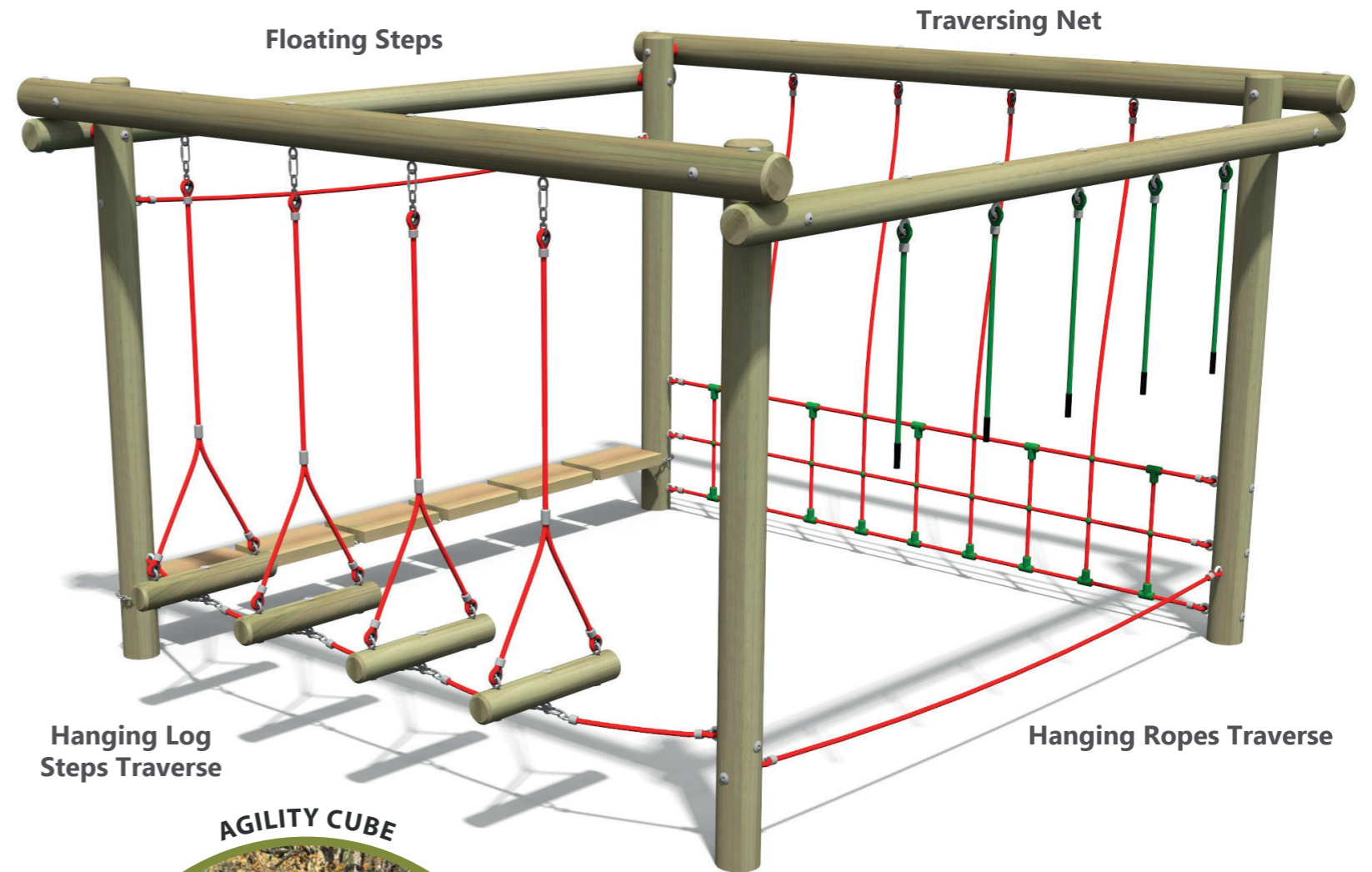
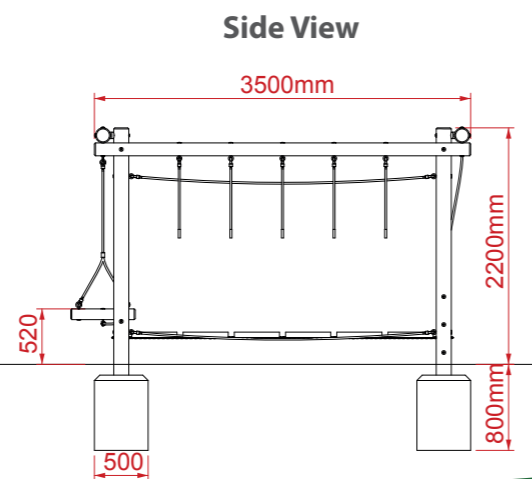
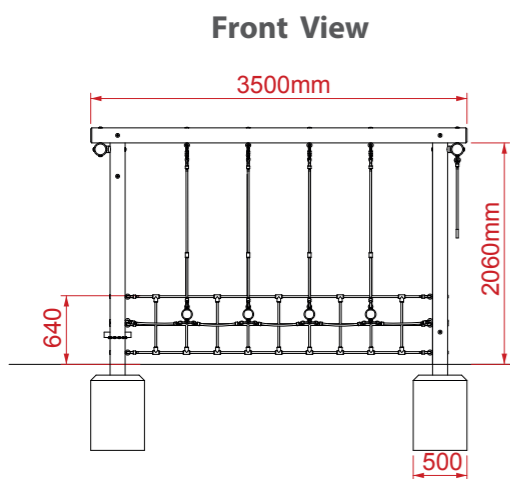
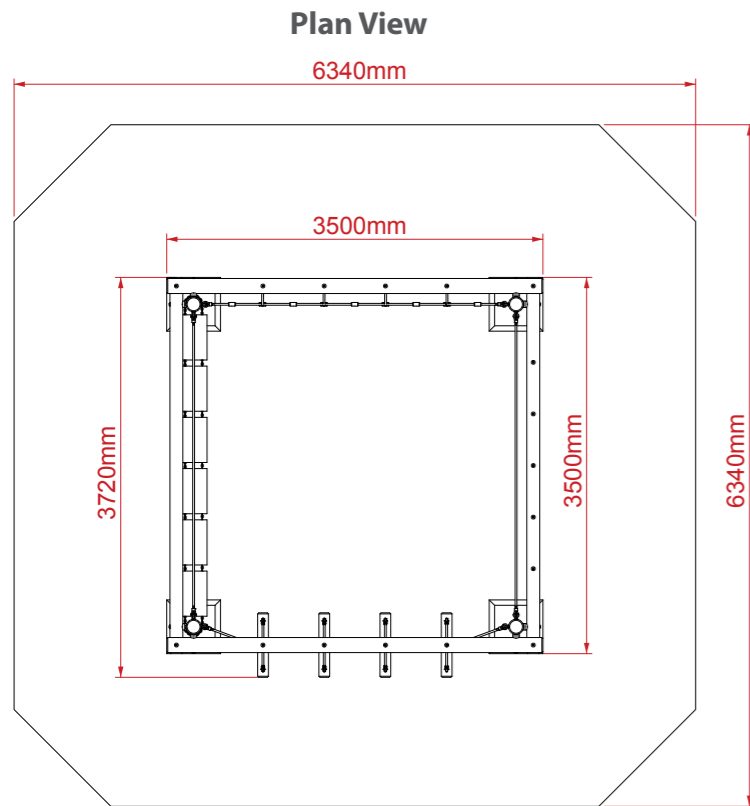


Agility Cube: CP-BOX

The Agility Cube is combination of four different traversing agility trail items carefully linked together to form a cube being suitable for areas where space is limited. It also requires less safety surfacing as the products are not strung out in a line.

The timbers are quarter-sawn, machine-rounded and pressure-treated and impregnated with wax. They are also sanded for a smooth finish and fitted with heat-sealed bitumen sleeves and secured into the ground with concrete footings.

This configuration shows a 3.5m cube with Floating Steps, Traversing Net, Hanging Ropes Traverse and Hanging Log Steps Traverse. Many other configurations are available.



Alternative elements include:

- Cross Wire
- Monkey Bar Rings
- Parallel Wires
- Rolling Log
- Hanging Tyres
- Weaving Ropes

Product Specification:

Dimensions: L: 3.72m W: 3.50m H: 2.20m
Age Range: 3+ years
Play Type: Active
Free Fall Height: 0.62m
Free Space Required: L: 6.34m W: 6.34m

Safety Surfacing Area: 38.6m²
Assembly: Installation Required
Mass of Heaviest Part: kg
Dimensions of Largest Part: L: 3.50m W: 0.14m
Conformity to EN1176: Yes