



2+



80



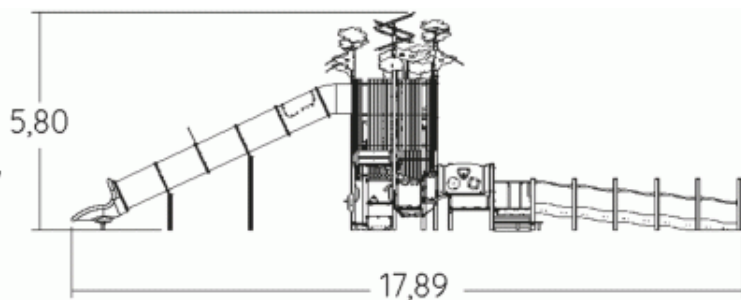
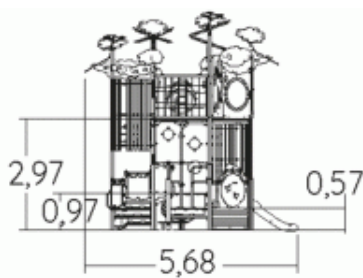
2,97m



1 = 17,89m
2 = 5,68m
3 = 5,8m



Motor inclusion
Sensory inclusion
Mental inclusion



Play value : **56**

role play



x3

sliding



x2

meeting



x5

resting



x3

handling



x7

swinging



x3

hiding



x1

balancing



x1

thinking



x2

sound stimulation



x2

tactile stimulation



x8

visual stimulation



x12

climbing



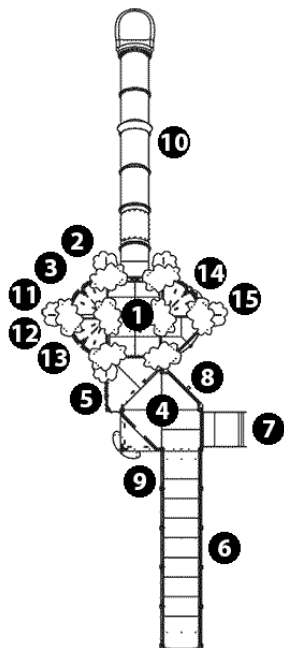
x6

getting across



x1



Components

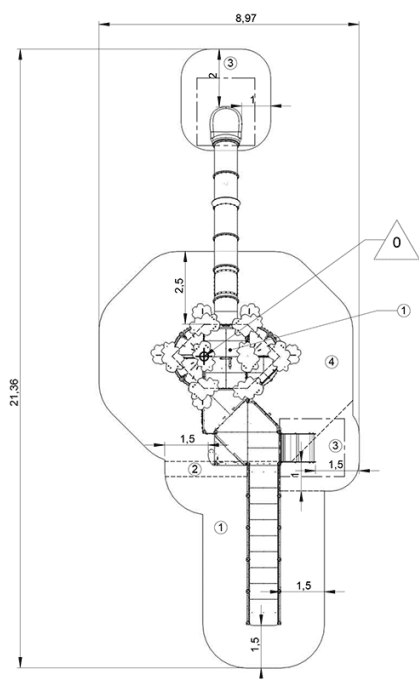




- ❶ Plate-forme Kayop inclusive Ht : 2.97 m
- ❷ Poteau sonore
- ❸ Escalier transfert demi tour
- ❹ Plate-forme transfert Ht : 0.97 m
- ❺ Panneau ludique sensoriel
- ❻ Plate-forme fauteuil Ht : 0.97 m
- ❼ Toboggan large Ht : 0.57 m
- ❽ Butterfly play panel
- ❾ Plateforme accès
- ❿ Toboggan tubulaire avec hublot Ht : 2,97 m
- ⓫ Assises suspendues 3 places
- ⓬ Shop
- ⓭ Panneau Smiley
- ⓮ Labyrinthe Kanopé
- ⓯ Play porthole

Installation of equipment

IMPORTANT: It is essential to refer to the installation instructions for information on the size of the safety areas.

-  Impact area (minimum normative surface)
-  Free space



		
1	0,6m	33,5m ²
2	0,97m	1,5m ²
3	1m	15m ²
4	2,97m	49m ²



3



30h00



2.8m³



99m²



2754kg



41kg

