

TROPICA WIDE SLIDE 901-WIDE

28.5 SQ METRES 40mm WETPOUR

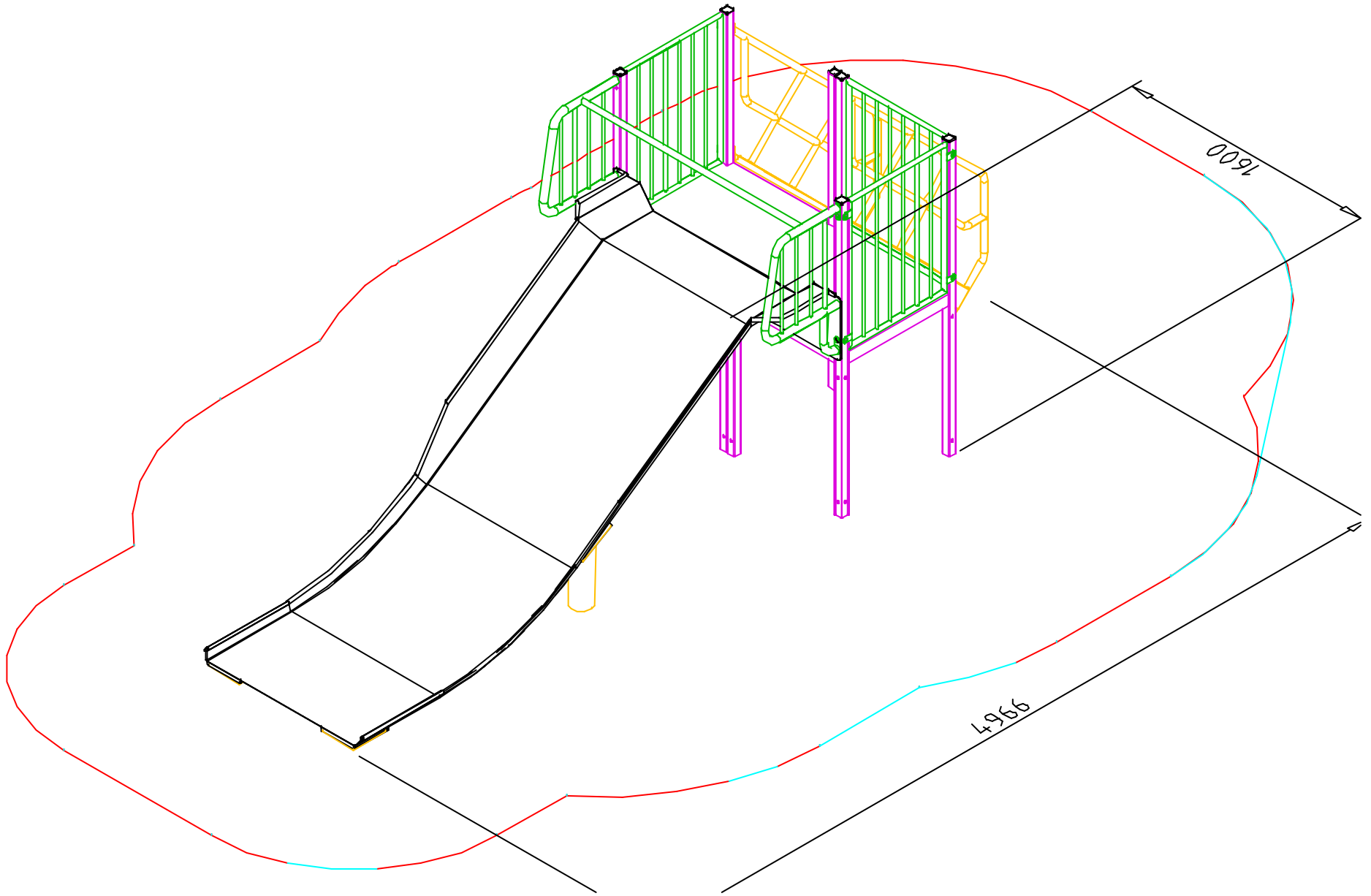
2005 LINEAR METRES WETPOUR EDGING

25 GRASS MATS

MAX FFH = 990mm

29.75 SQ METRES 33mm TILES

21.5 LINEAR METRES TILE EDGING

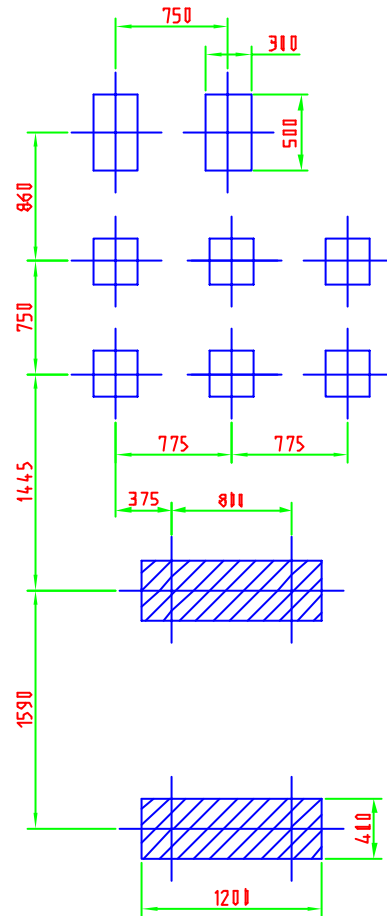


CUSTOMER:

STANDARD WIDE SLIDE

ORDER No:

FIXING: GROUND



UNLESS OTHERWISE STATED ALL FOUNDATION HOLES
ARE 300 x 300. ALL HOLES ARE 375 DEEP.

 THESE FOUNDATIONS ARE 875 DEEP FOR GROUND FIX
AND 575 DEEP FOR BARK FIX



COMPILED BY

RD

ISSUE

ECN No.

DATE:

16/11/07

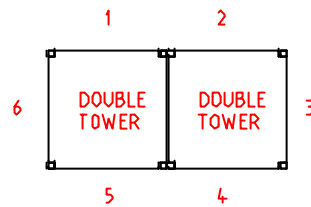
DATE

SIGN

CUSTOMER: STANDARD WIDE SLIDE

ORDER No:

FIXING: GROUND



FACE	UP	DOWN
1		
2	METAL BARRIER	
3	METAL BARRIER	
4		
5		
6	METAL BARRIER	



COMPILED BY

RD

ISSUE

ECN No.

DATE:

16/11/07

DATE

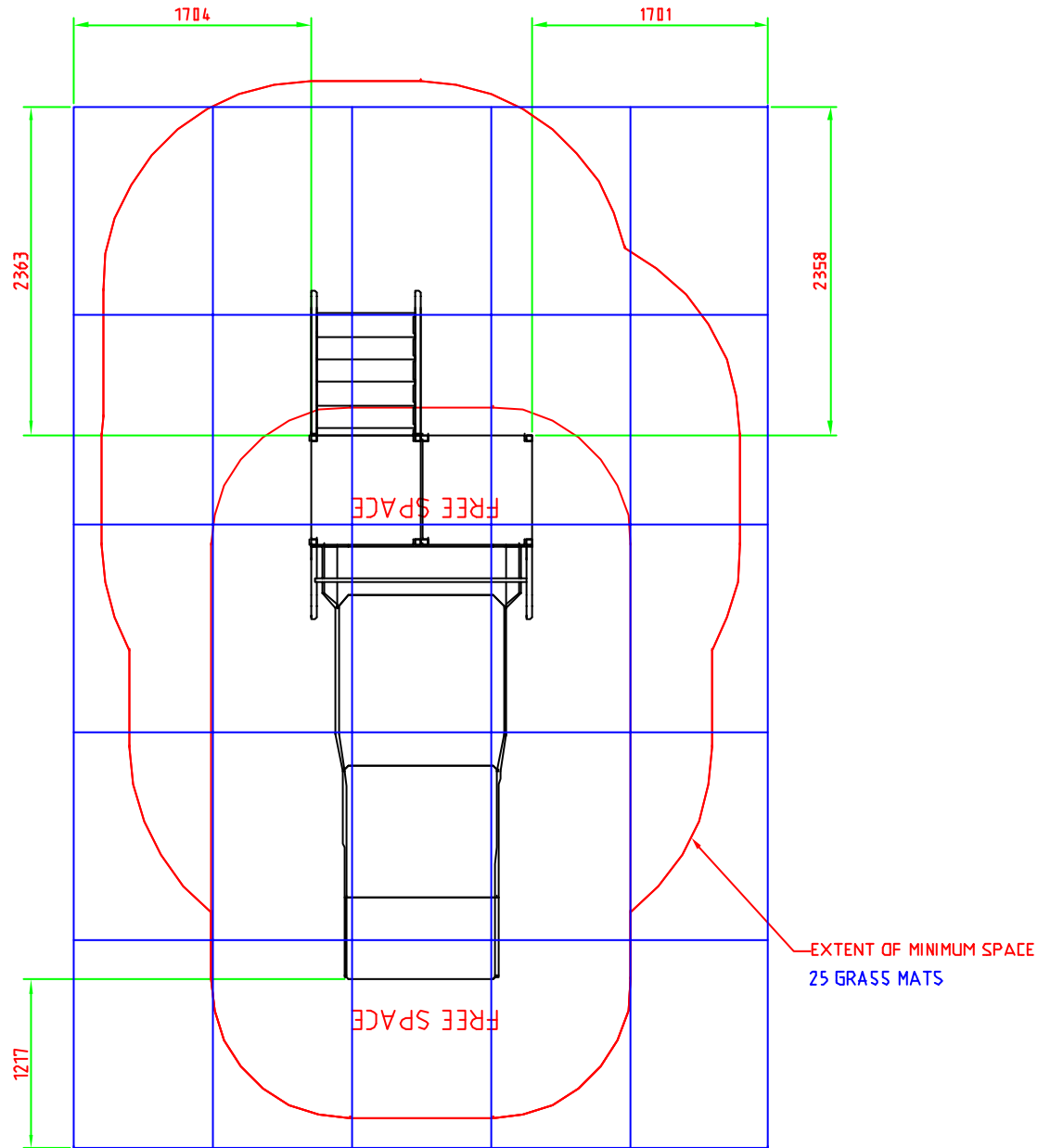
SIGN

CUSTOMER:

STANDARD WIDE SLIDE

ORDER No:

FIXING: GROUND



COMPILED BY

RD

ISSUE

ECN No.

DATE:

16/11/07

DATE

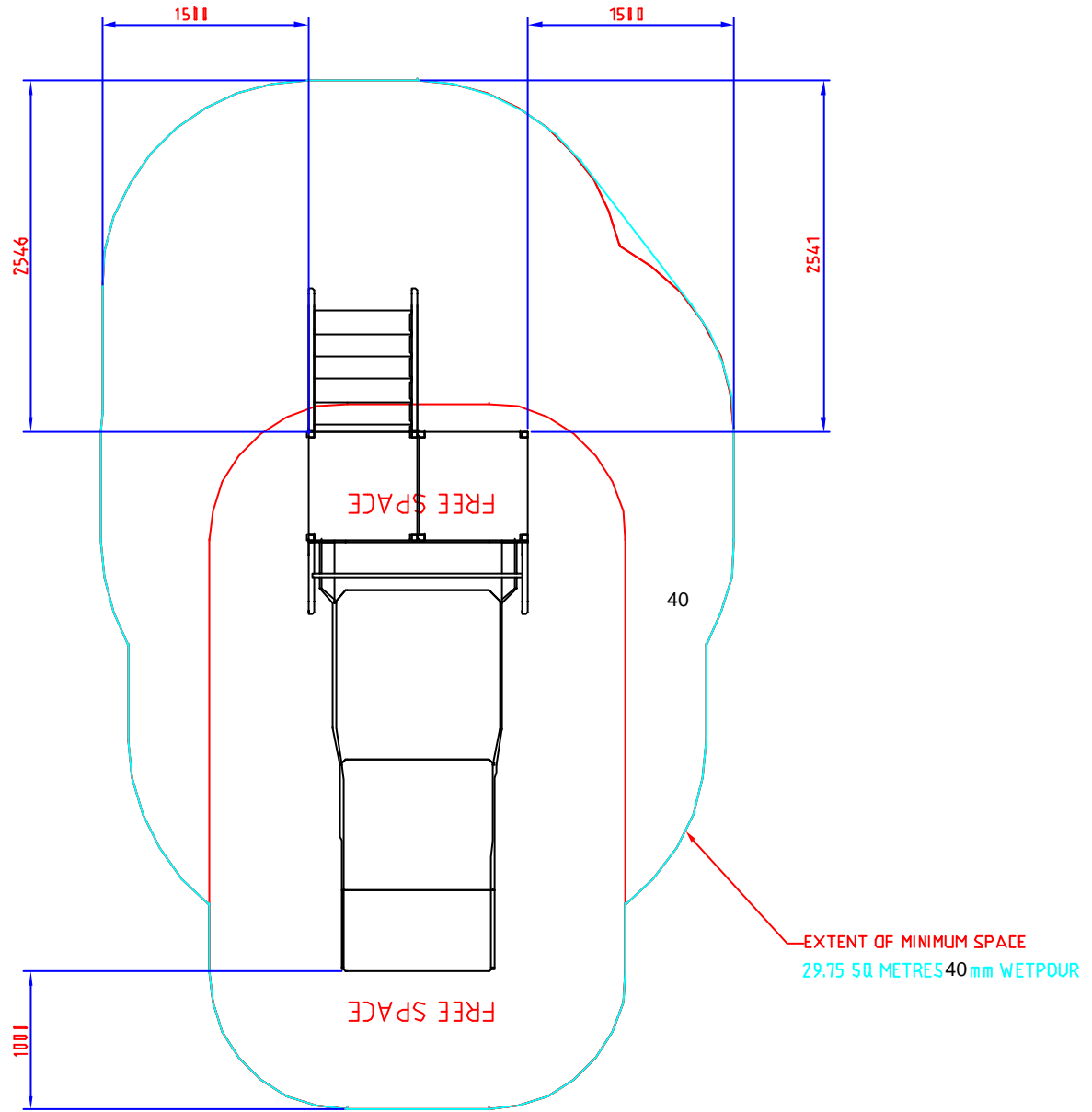
SIGN

CUSTOMER:

STANDARD WIDE SLIDE

ORDER No:

FIXING: GROUND



COMPILED BY

RD

ISSUE

ECN No.

DATE:

16/11/07

DATE

SIGN

TROPICA

SINGLE, DOUBLE & ROOF TOWER

PROD CODE:	90124 / 90125 / 90131
SINGLE SIZE:	900 x 900 x 2200 mm
DOUBLE SIZE:	1700 x 900 x 2200 mm
ROOF TOWER:	900 x 900 x 3130 mm
AGE RANGE:	UP TO 8 YEARS
FREE FALL HEIGHT:	990 mm
SINGLE TOWER WEIGHT	62 KG
DOUBLE TOWER WEIGHT	112 Kg
ROOF TOWER WEIGHT	90 Kg

DELIVERY LIST		
Part No.	Description	Qty
90124	Tropica single tower	1
90125	Tropica double tower	1
90131	Tropica roof tower	1
90424	Bark Fix Tropica single tower	1
90425	Bark Fix Tropica double tower	1
90431	Bark Fix Tropica roof tower	1

SPECIFICATION

Frame: Made from 50 x 50 RHS to BS 9070 Part 1.
Mounting plate: Made from 6 mm thick Mild steel plate.
Deck: Made from 3 mm thick Durbar chequer plate.
Welds: Copper free wire conforming to 2901 AIB for Mild steel.
Finish: Low lead polyester powder paint to BS EN 71 Part 3.

INSTALLATION INSTRUCTIONS

- 1 Read installation instructions through before commencing erection of unit.
- 2 Do NOT tighten fastenings until the unit is completely assembled.
- 3 Excavate foundations in accordance with the details shown in the foundation plan.
- 4 Place tower in prepared foundations, ensuring it is plumb and square.
- 5 Prop tower and backfill foundations with the required concrete. Allow 48 hours drying time.

Note: M8 bolts to be torqued to 18 Nm (13lbf.), M10 bolts to be torqued to 34 Nm (25lbf)
M12 bolts to be torqued to 55 Nm (40lbf). All protruding screw threads to be peened over to remove sharp edges. Lifting aid will be required when installing this piece of equipment.

Note:-Ensure all installation aids are removed before first use.



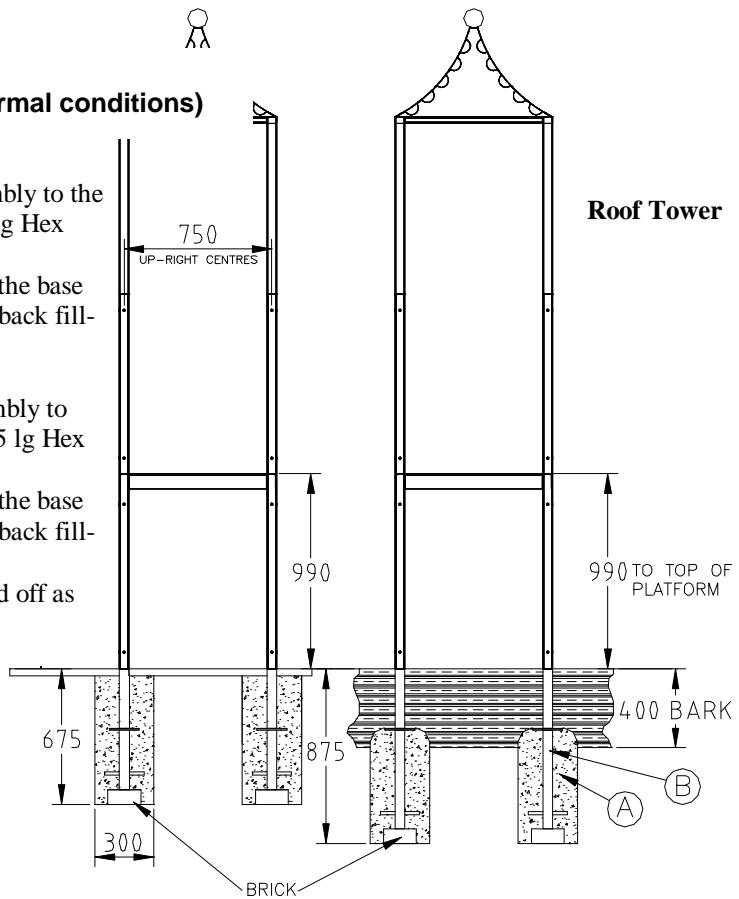
FOUNDATION DETAIL
(Care must be taken under abnormal conditions)

For Roof Tower:

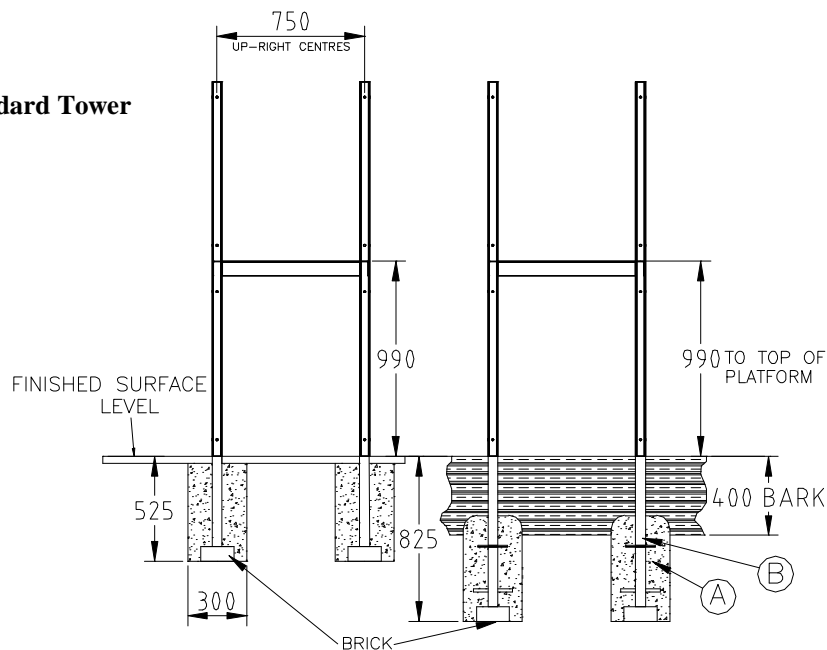
1. Attach (E) 300Lg below ground assembly to the base of the tower using (F) M12 x 25 lg Hex head screw.
2. Fit (D) spragging iron into the hole at the base of the below ground assembly, before back filling the foundation.

For Bark fix Roof Tower:

1. Attach (H) 500Lg below ground assembly to the base of the tower using (J) M12x25 lg Hex head screw.
2. Fit (G) spragging iron into the hole at the base of the below ground assembly, before back filling the foundation.
3. **Ensure** concrete foundation is rounded off as shown in the diagram.



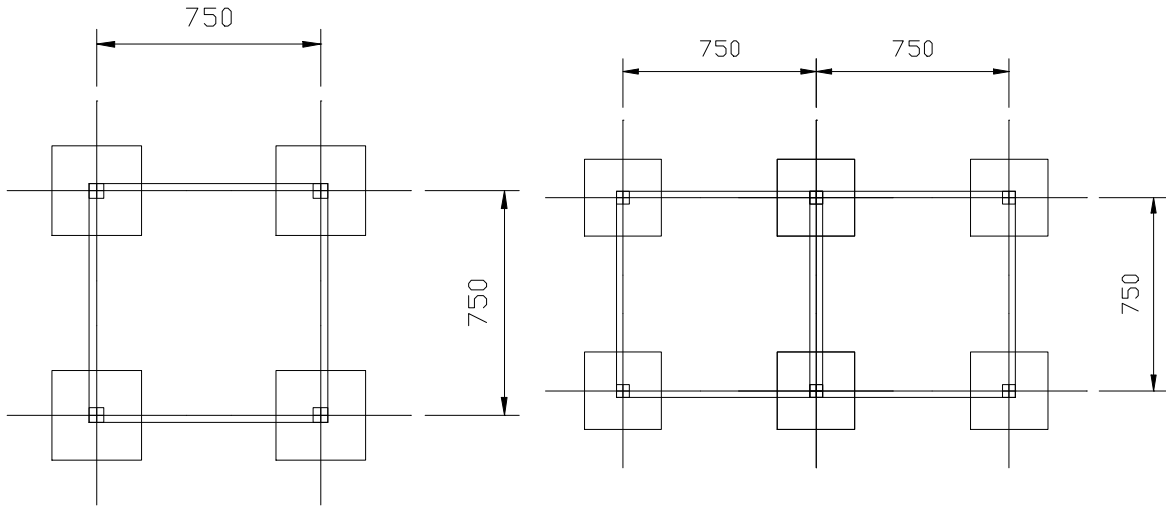
Standard Tower



For Bark fix:

1. Attach (B) below ground assembly to the base of the tower using (C) M12 x 25 lg Hex head screw.
2. Fit (A) spragging iron into the hole at the base of the below ground assembly, before back filling the foundation.
3. **Ensure** concrete foundation is rounded off as shown in the diagram.


FOUNDATION DETAIL FOR SINGLE AND DOUBLE TOWER

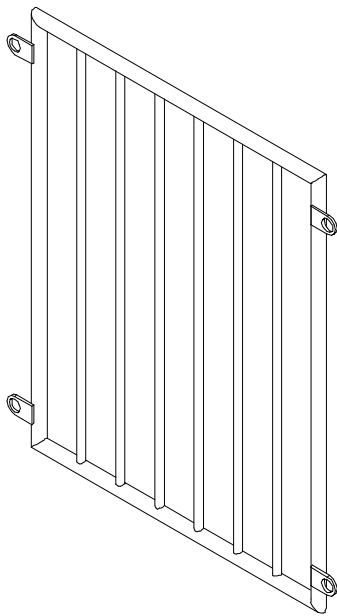


Note:-All spare parts are available from Wicksteed Leisure on request.

REF	QTY	DESCRIPTION	PART No
Bark Fixing for one Tower:			
A	4	Spragging iron	3031-010
B	4	Below ground assembly	5071-003
C	8	M12 x 25 lg Hex head fastener	2175-134
Below Ground Fixing for Roof Tower:			
D	4	Spragging iron	3031-010
E	4	Below ground assembly	5071-003
F	8	M12 x 25 lg Hex head fastener	2175-134
Bark Fixing for Roof Tower:			
G	4	Spragging iron	3031-010
H	4	Below ground assembly	5071-027
J	8	M12 x 25 lg Hex head fastener	2175-134

For maintenance instructions see separate sheet.

	COMPILED:	APPROVED :	REV	NEW	1			
	MH		ECN	1396	minor			
	DATE:	DATE:	SIG.	MH	PK			
	20/12/01		DATE.	20/12/01	13/05/03			



TROPICA

METAL BARRIER

PROD CODE:	90122
SIZE:	788 x 28 x 910 mm
AGE RANGE:	UP TO 8 YEARS
WEIGHT OF HEAVIEST PART	15 Kg
OVERALL WEIGHT OF UNIT	15 Kg

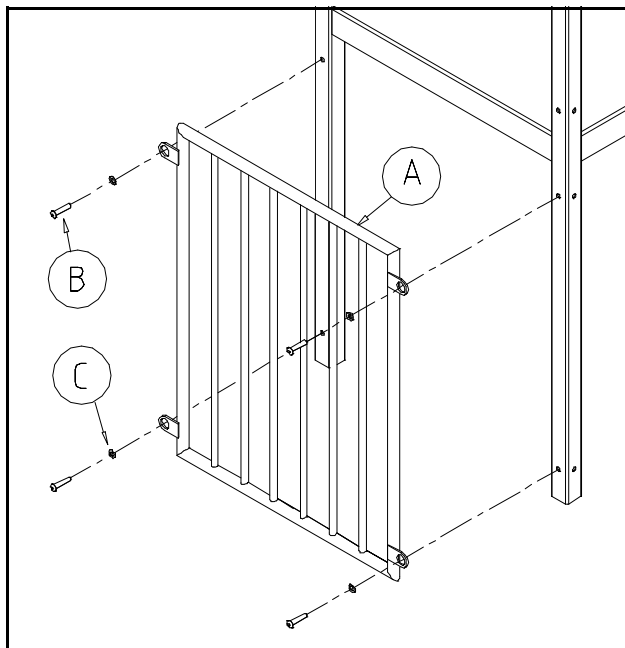
DELIVERY LIST		
Part No.	Description	Qty
90122-01	Metal Barrier Assembly	1
-	Fixings Pack	1

SPECIFICATION

Barrier:	Made from 20 mm Nominal Bore Tube, medium gauge to BS 1387, infills are 16Ø mm mild steel bar.
Fasteners:	Non standard anti-vandal, plated for weather protection.
Finish:	Low Lead Polyester powder paint to BS EN71 Pt. 3.
Welds:	Copper free wire diameter 1 mm conforming to 2091 AIB for Mild Steel.

INSTALLATION INSTRUCTIONS

- 1 Read installation instructions through before commencing erection of unit.
- 2 Do NOT tighten fastenings until the unit is completely assembled



Fixing detail to tower:

1. Attach (A) Metal barrier to tower using (B) M10 x 25 lg Pent button head screws and (C) M10 Wicksteed washers.


Note:-Ensure all installation aids are removed before first use.

Note: M8 bolts to be torqued to 18 Nm (13lbf.).
M10 bolts to be torqued to 34 Nm (25lbf)
M12 bolts to be torqued to 55 Nm (40lbf).
All protruding screw threads to be peened over to remove sharp edges.

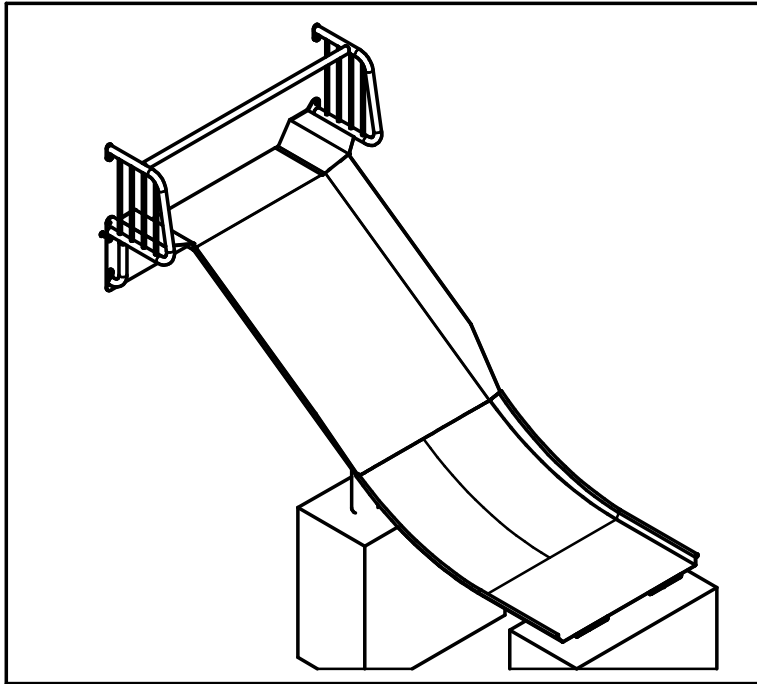
REF	QTY	DESCRIPTION	PART No
A	1	Metal Barrier assembly	90122-01
B	4	M10 x 25 lg Pent button head screws	2176-126
C	4	Wicksteed Washer	2215-519


Note:-All spare parts are available from Wicksteed Leisure on request.

For maintenance instructions see separate sheet.

	COMPILED:	APPROVED :	REV	NEW				
	MH		ECN	1396				
	DATE:	DATE:	SIG.	MH				
	2/11/01		DATE.	2/11/01				





<h1>Tropica</h1>	
<h2>Double Width Slide</h2>	
PROD. CODE	90105
SIZE	1980 x 1550 x 3122mm
AGE RANGE	Up to 8 years
F/ FALL HEIGHT	1200mm
HEAVIEST PART	62 Kg Approx
TOTAL WEIGHT	90 Kg Approx
	

SPECIFICATION

Chute made from 2mm stainless steel sheet.
 Guardrail made from 32mm nominal bore tube to BS 1387.
 Pedestals made from circular hollow section to BS 4848.
 Fixings are anti-vandal and plated for weather protection.
 Welds are copper free conforming to 2901 AIB for mild steel.
 Low lead polyester powder paint to BS EN 71.

INSTALLATION INSTRUCTIONS

In accordance with 6.1.3 EN1176-1:2008 we recommend that slides do not face south or near due south due to heat build up.

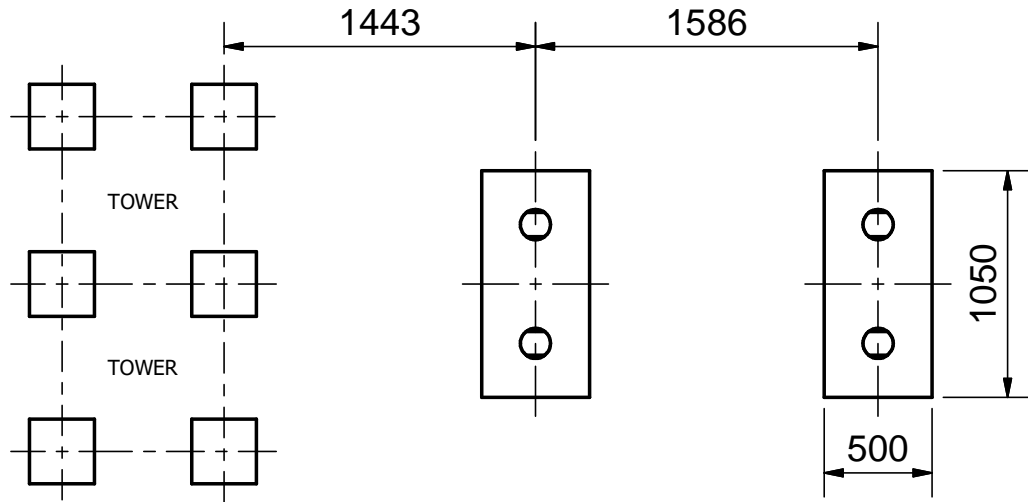
1. Read all instructions thoroughly before commencing installation of unit.
2. Do not tighten fastenings until the unit is completely assembled.
3. Excavate foundations as per the foundation plan.
4. Place pedestals in the foundations and prop up in position.
5. Ensuring pedestals are plumb, square and upright, and at the correct height and centre of the dimensions, backfill foundations with concrete.
6. Allow 48 hours of drying time before fixing slide to pedestals.

Note M8 bolts to be torqued to 18 Nm (13lbf). M10 bolts to be torqued to 34 Nm (25lbf). M12 bolts to be torqued to 55 Nm (40lbf). All protruding screw threads to be peened over to remove sharp edges. Lifting aid will be required when installing this peice of equipment.

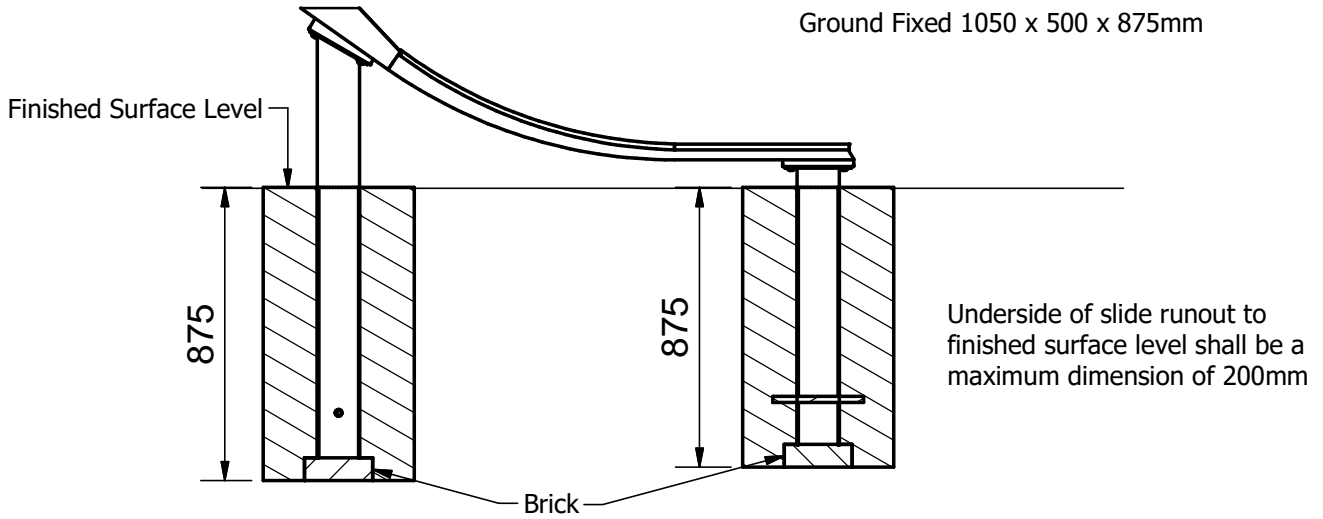
Note All installation aids to be removed before first use!

Foundation Detail

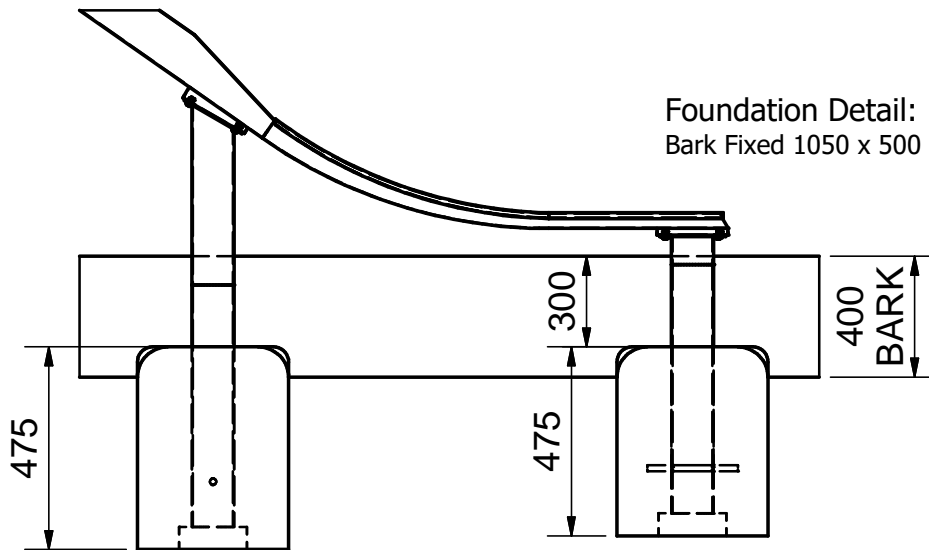
(Care must be taken under abnormal conditions)



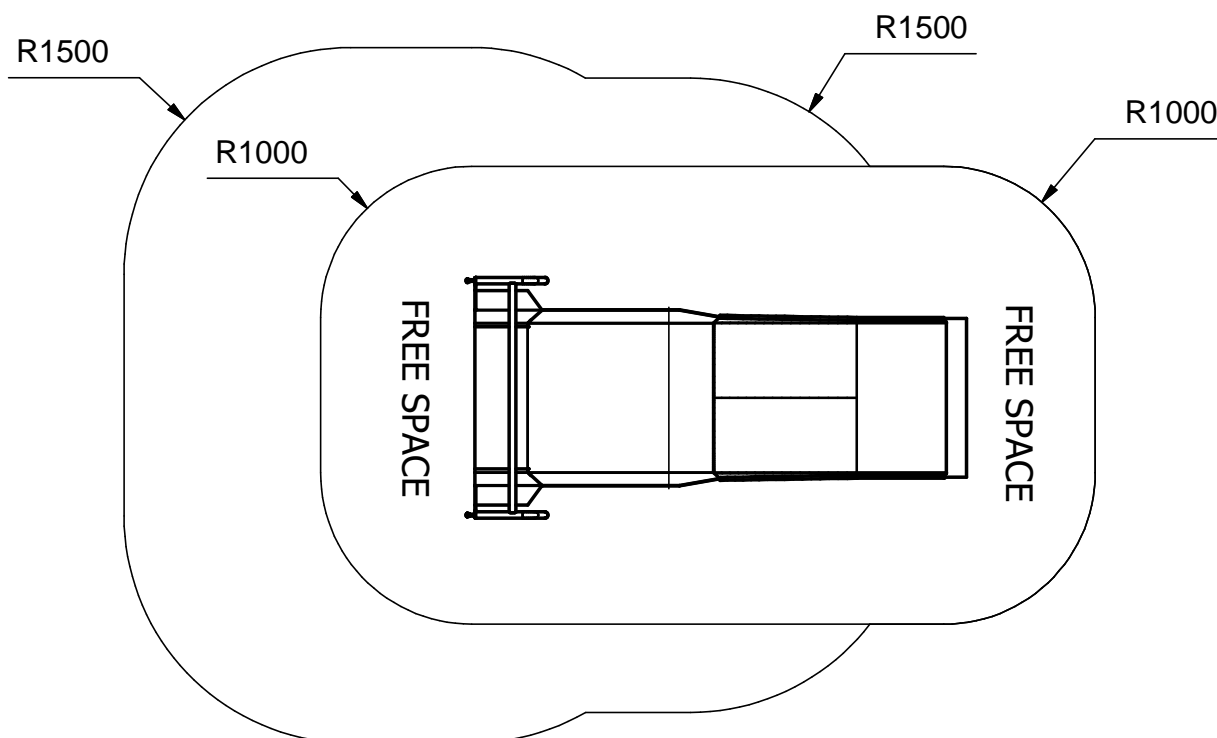
Foundation Detail:
Ground Fixed 1050 x 500 x 875mm



Foundation Detail:
Bark Fixed 1050 x 500 x 475mm

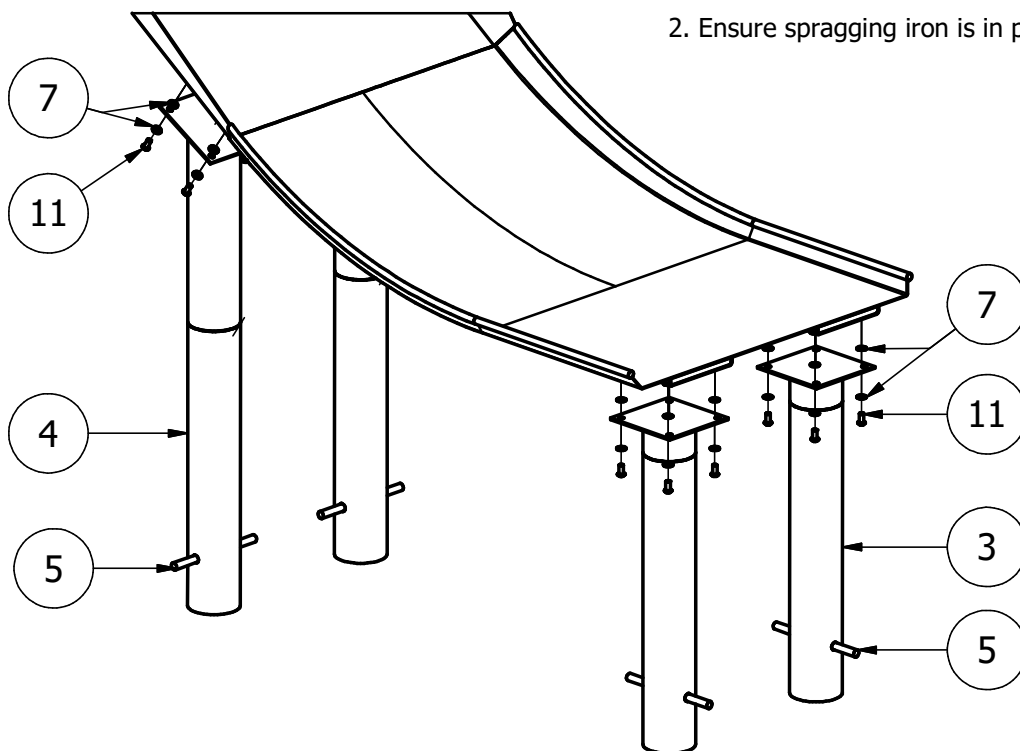


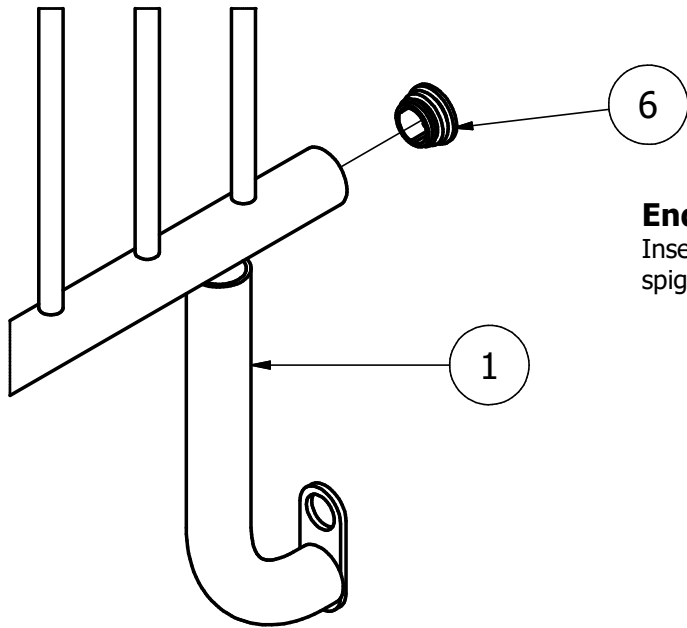
Surfacing & Free Space Detail



Fixing pedestals to chute:

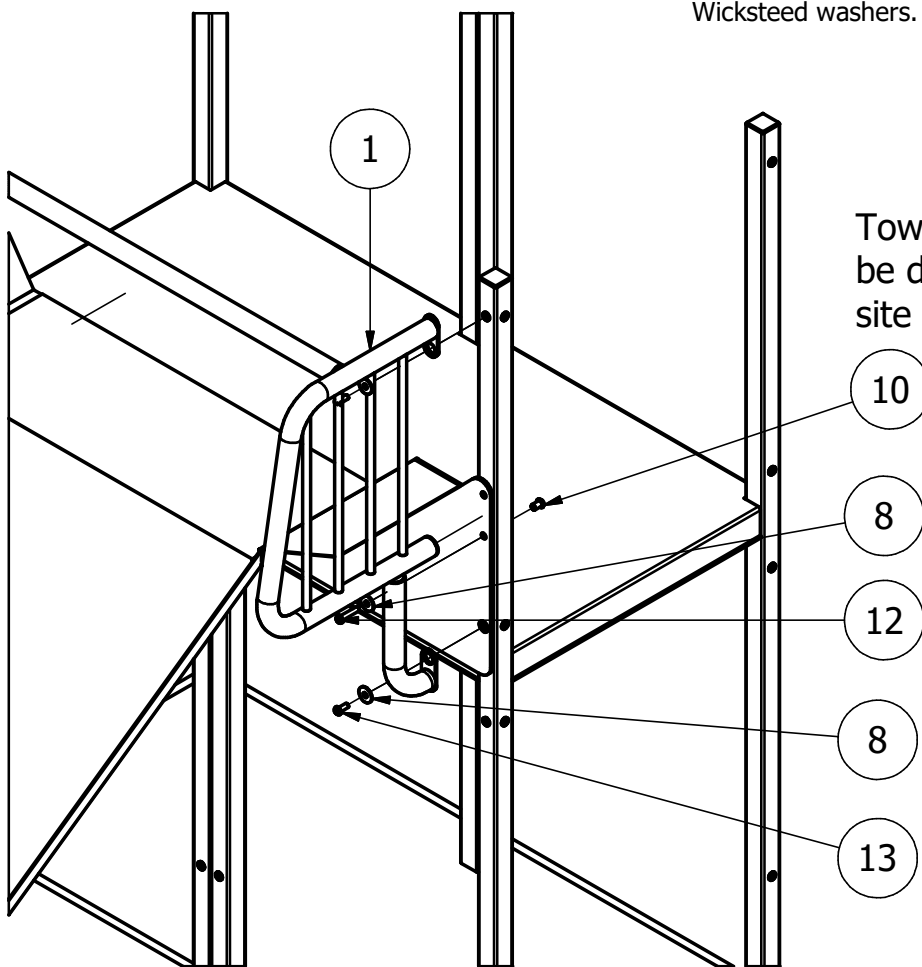
1. To fit pedestals to chute use M12 x 25mm Lg Pent Button Head Screws, placing a M12 fibre washer either side of the pedestal top plate.
2. Ensure spragging iron is in place before.





End Plug Detail

Insert the two plastic end plugs into slide barrier spigots before securing to slide and tower.



Fixing Detail to Tower

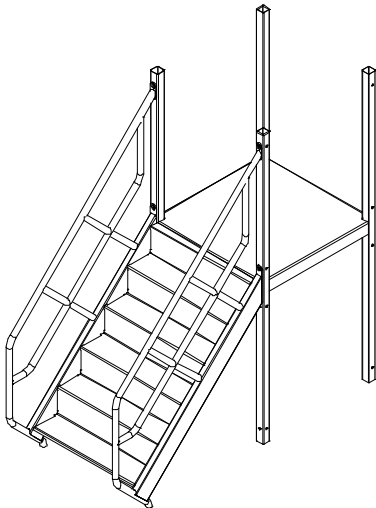
Attach slide and barrier to tower using M10 x 25mm Lg pent button head screws and M10 Wicksteed washers.

Tower uprights must be drilled thro' on site to accept fixings

Parts List			
ITEM	QTY	PART NUMBER	DESCRIPTION
1	1	90105-02	DOUBLE WIDTH SLIDE BARRIER
2	1	90105-01	CHUTE ASSEMBLY
3	2	4013-038	PEDESTAL SUPPORT LEG - RUNOUT
4	2	4013-037	PEDESTAL SUPPORT LEG - MIDDLE
5	4	3031-011	SPRAGGING IRON
6	2	2611-005	END PLUG (1¼ NB)
7	32	2571-013	M12 Fibre Washer
8	6	2215-519	Wicksteed Washer
9	2	2215-509	M12 Plain Washer
10	2	2177-002	M10 Safety Fastener
11	16	2176-176	M12 x 25 Pent Button Head
12	2	2176-129	M10 x 50 Pent Button Head
13	4	2176-126	M10 x 25 Pent Button Head

All spare parts are available from Wicksteed Playscapes on request

COMPILED MH	REV	NEW	1	2	3	4	5			
	ECN	1396	Minor	Minor	Minor	Minor	minor			
DATE: 13/11/01	SIG.	MH	PG	DB	DB	MC	AB			
	DATE:	13/11/01	29/04/02	12/03/14	15/07/15	18/08/15	13/07/18			



TROPICA	
ACCESS LADDER	
PROD CODE:	90101
PROD CODE FOR BARK	90401
SIZE:	2120 x 750 x 1045 mm
AGE RANGE:	UP TO 8 YEARS
FREE FALL HEIGHT:	990 mm
WEIGHT OF HEAVIEST PART	65 Kg
OVERALL WEIGHT OF UNIT	65 Kg

DELIVERY LIST		
Part No.	Description	Qty
90101-01	Access Ladder	1
90401-01	Log Ramp assembly	1
-	Fixings pack	

SPECIFICATION

Ladder: Made from 25mm NBT to BS1387, 10 SWG and 3mm Mild Steel Plate to BS970.
 Welds: Copper free conforming to 2901 AIB for Mild steel.
 Fixings: Anti-vandal and plated for weather protection.
 Finish: Low lead polyester paint to BS EN 71.

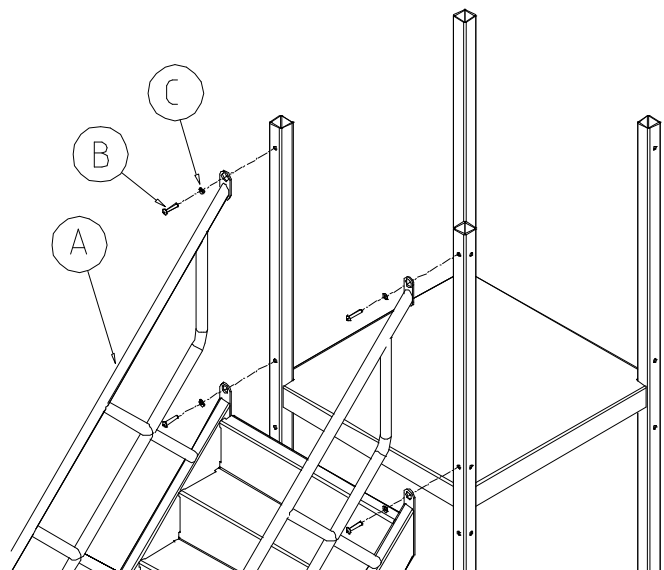
INSTALLATION INSTRUCTIONS

- 1 Read installation instructions through before commencing erection of unit.
- 2 Do NOT tighten fastenings until the unit is completely assembled.

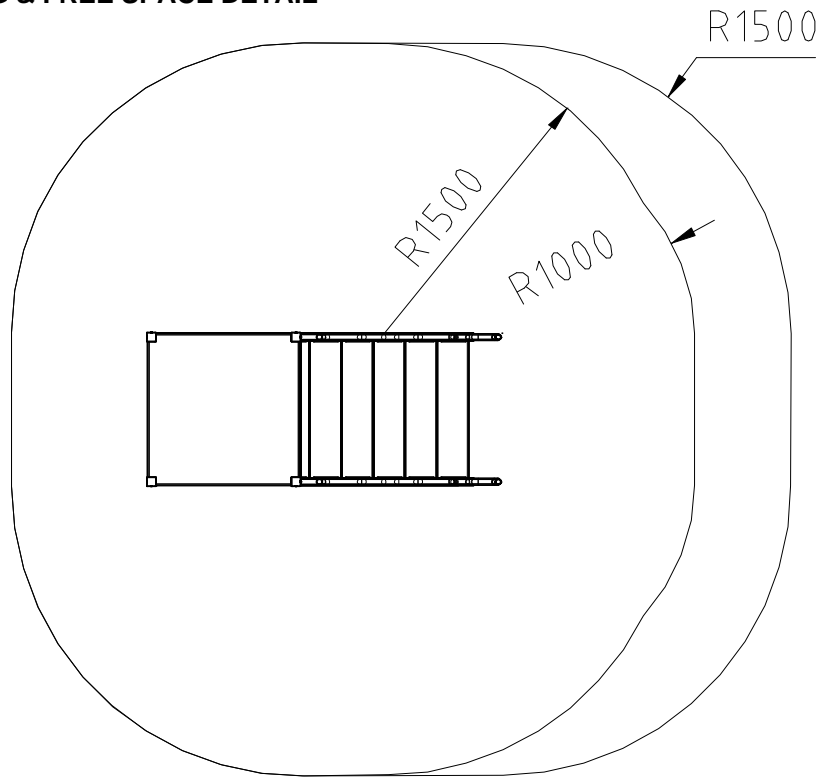
FIXING DETAIL

1. Attach Access Ladder to tower using M10x25 Pent Button Head Screws and M10 Wicksteed Washer.

Note: All protruding screw threads to be peened over to remove sharp edges. Lifting aid will be required when installing this piece of equipment.

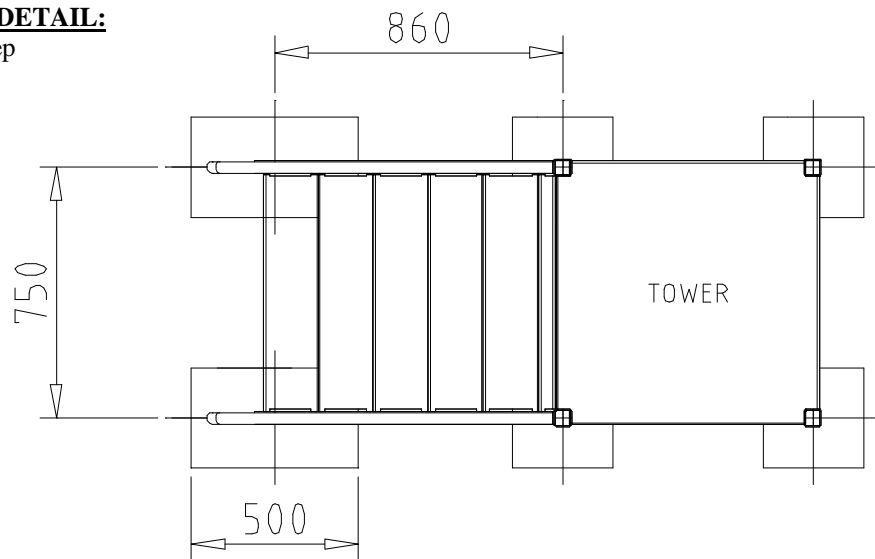


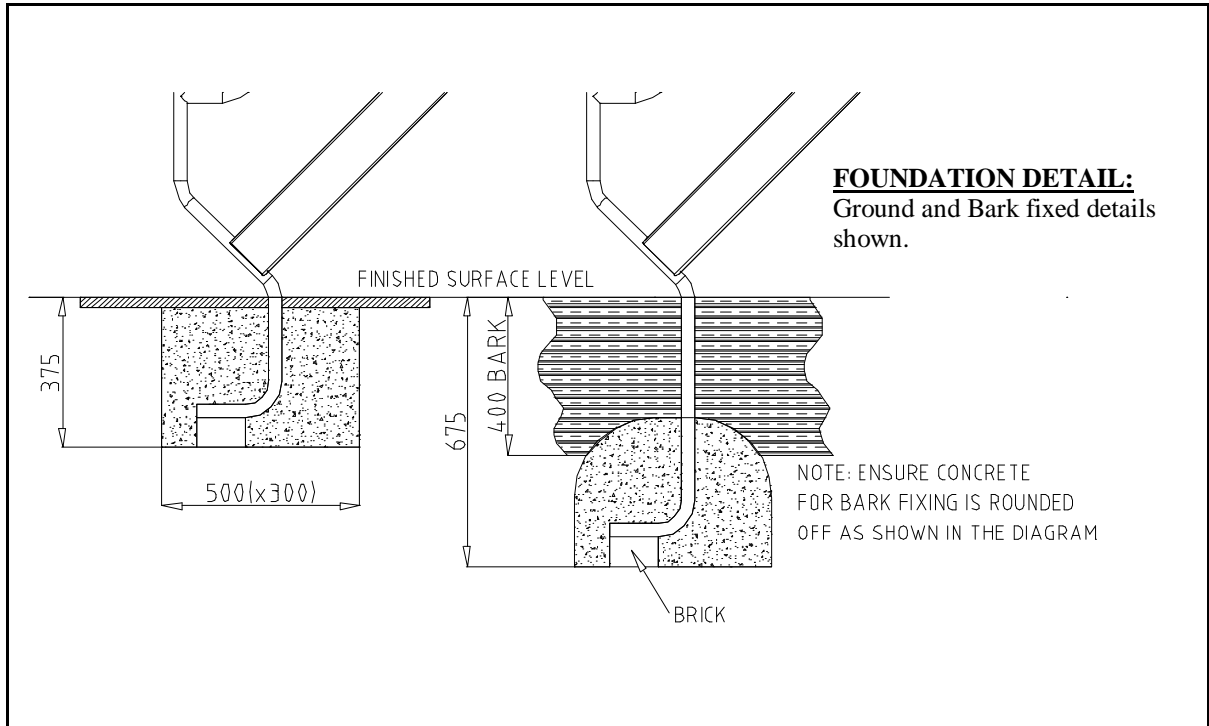
SURFACING & FREE SPACE DETAIL



FOUNDATION DETAIL
(Care must be taken under abnormal conditions)

FOUNDATION DETAIL:
300x500x375 Deep






Note:-Ensure all installation aids are removed before first use.

REF	QTY	DESCRIPTION	PART No
A	1	Access Ladder	90101-01
B	4	M10x25 Pentagon Button Head Screw	2176-126
C	4	M10 Wicksteed Washer	2215-519
For Bark fix replace Item A with D:			
J	1	Access Ladder Bark Fix	90401-01

Note:-All spare parts are available from Wicksteed Leisure on request.

For maintenance instructions see separate sheet.

	COMPILED:	APPROVED :	REV	NEW	1			
	MH		ECN	1396	minor			
	DATE:	DATE:	SIG.	MH	PK			
	29/10/01		DATE.	29/10/01	19/03/04			

