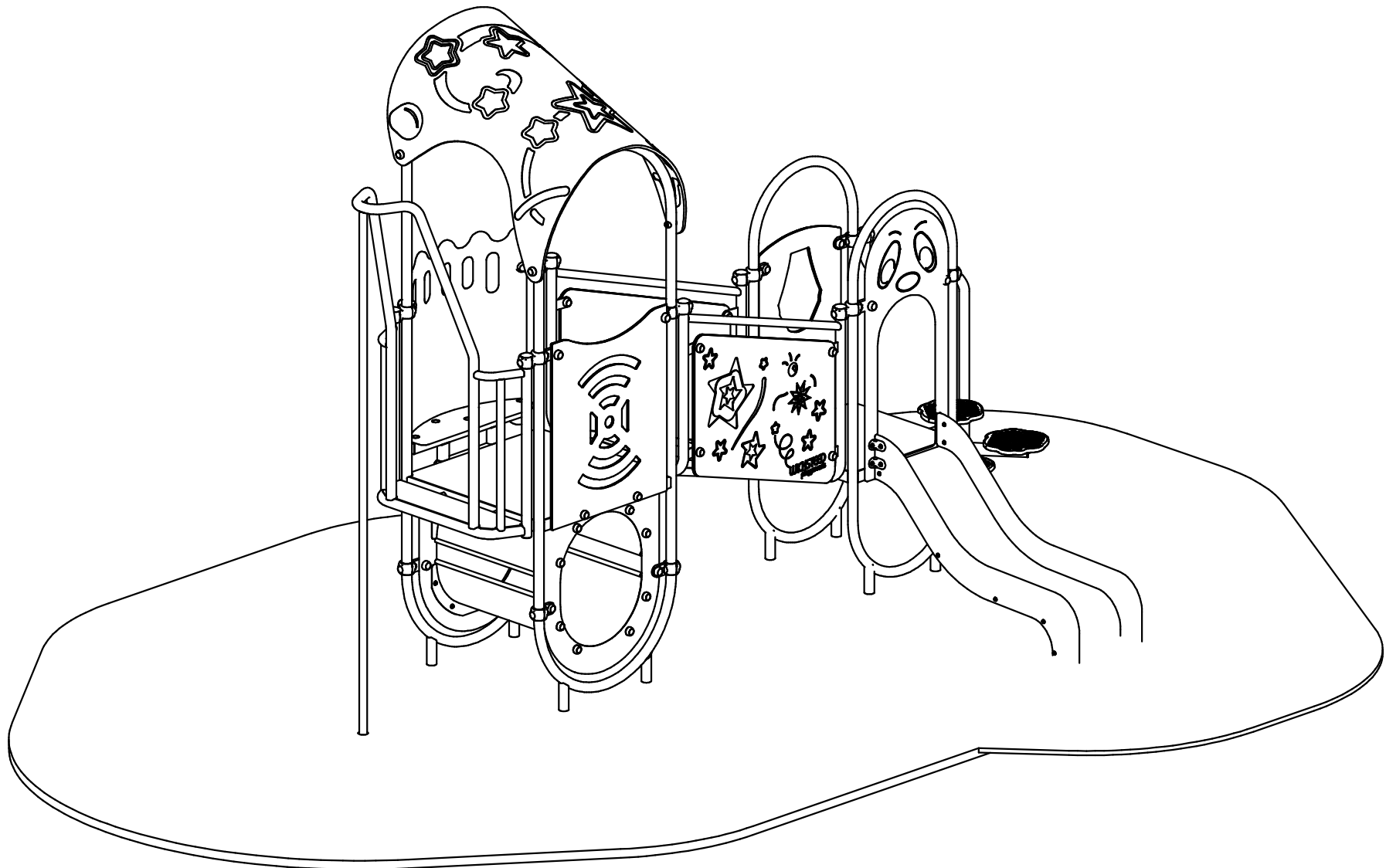


CUSTOMER: Standard Unicorn's Lair

ORDER No:

FIXING: Ground

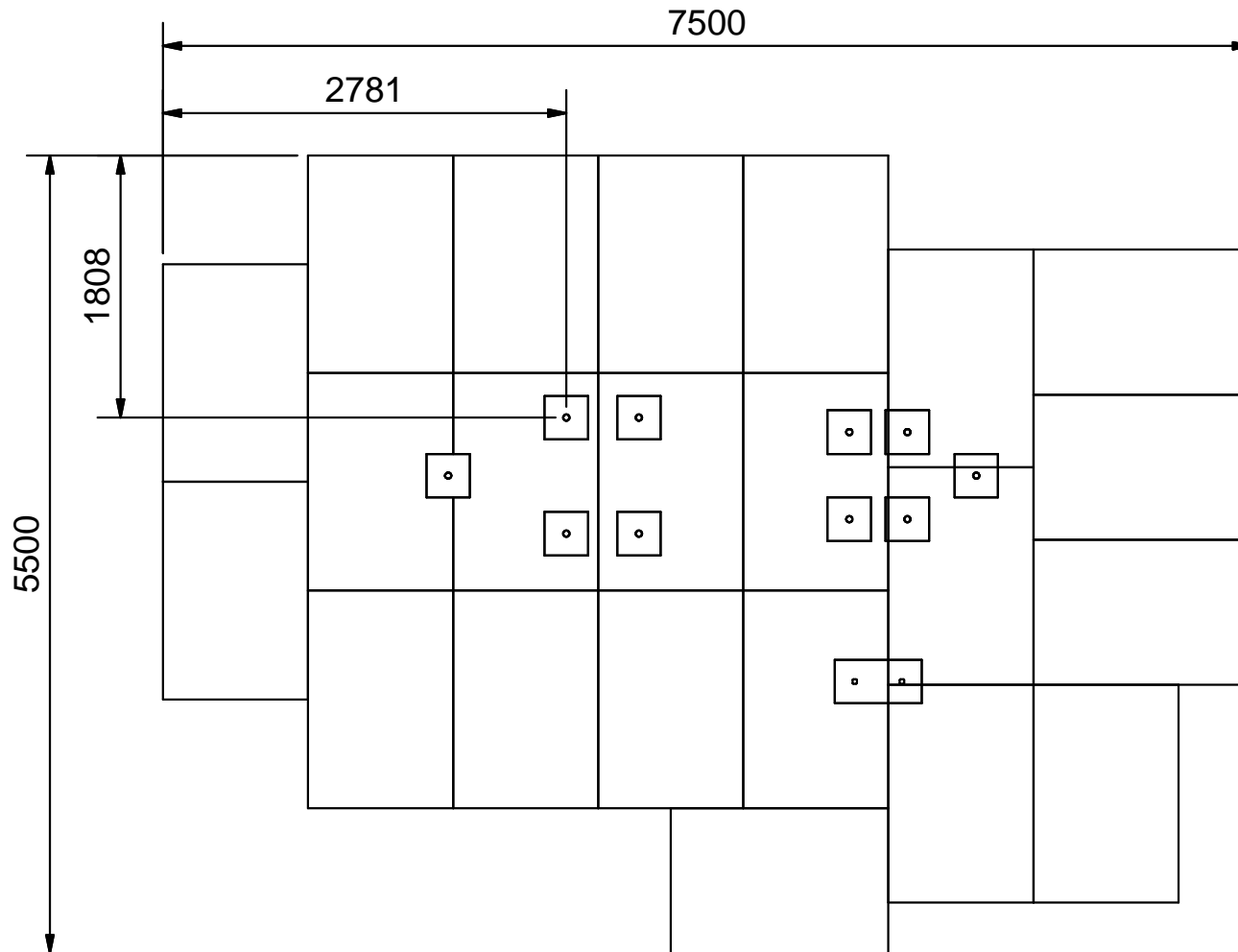


Complied by	DB	ISSUE	0	1	2	3	4	5				
		ECN	1649	1671	1677	1699	1724	Minor				
Date	23/02/12	DATE	23/02/12	29/11/12	23/05/13	06/11/14	09/06/15	11/03/16				
		SIGN	DB	DB	DB	DB	AB	DB				

CUSTOMER: Standard Unicorn's Lair

ORDER No:

FIXING: Ground



Mystical World - Unicorn's Lair
 22 Wicksteed Grassmats (1500 x 1000mm)

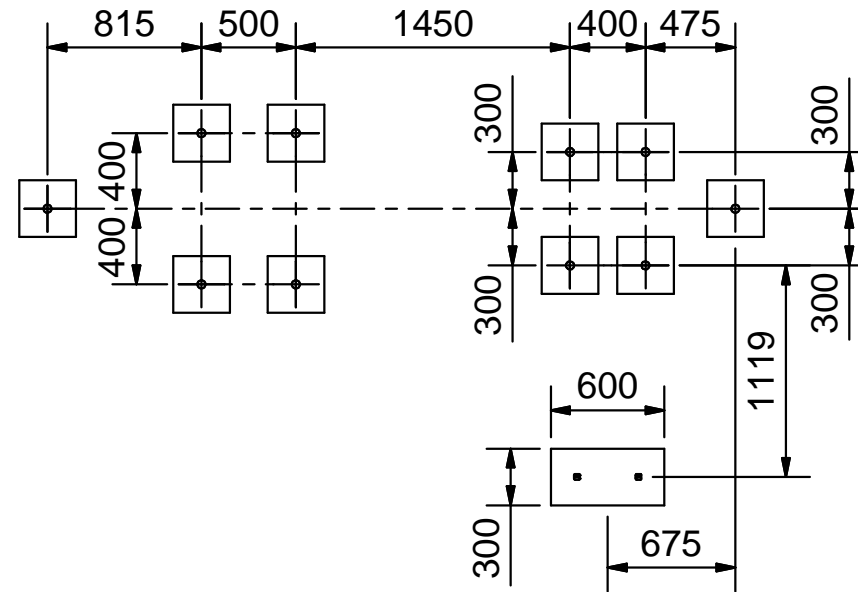


Complied by	DB	ISSUE	0	1	2	3	4	5				
		ECN	1649	1671	1677	1699	1724	Minor				
Date	23/02/12	DATE	23/02/12	29/11/12	23/05/13	06/11/14	09/06/15	11/03/16				
		SIGN	DB	DB	DB	DB	AB	DB				

CUSTOMER: Standard Unicorn's Lair

ORDER No:

FIXING: Ground



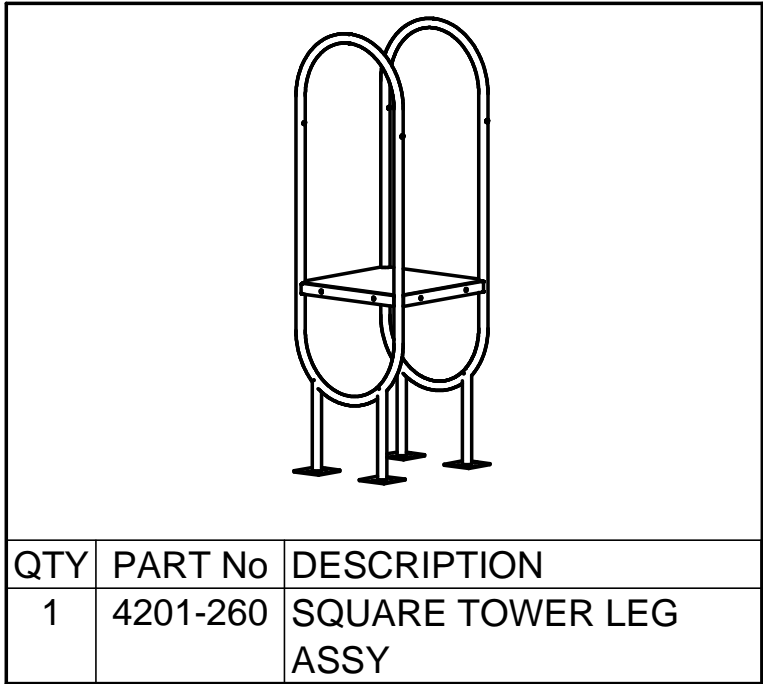
Mystical World - Unicorn's Lair


All foundations are 300 x 300 unless otherwise stated.

All foundations are 375 deep unless otherwise stated.



Complied by	DB	ISSUE	0	1	2	3	4	5				
		ECN	1649	1671	1677	1699	1724	Minor				
Date	23/02/12	DATE	23/02/12	29/11/12	23/05/13	06/11/14	09/06/15	11/03/16				
		SIGN	DB	DB	DB	DB	AB	DB				



<h1>Mystical World</h1>	
<h2>Mystical Square Tower</h2>	
PROD. CODE	6400-046
SIZE	643 x 643 x 1772
AGE RANGE	3 to 8 years old
F/ FALL HEIGHT	<600mm
HEAVIEST PART	
TOTAL WEIGHT	Approx 47kg
	

SPECIFICATION
 Steel Nominal Bore Tube (medium) to BS 1387
 Steel RHS to BS 4848 Pt 2
 Solid steel to BS 970 Pt 1
 3mm steel Durbar chequer plate
 Welds are from copper-free wire to BS EN 440
 Low lead polyester powder paint to BS 71 Pt 3

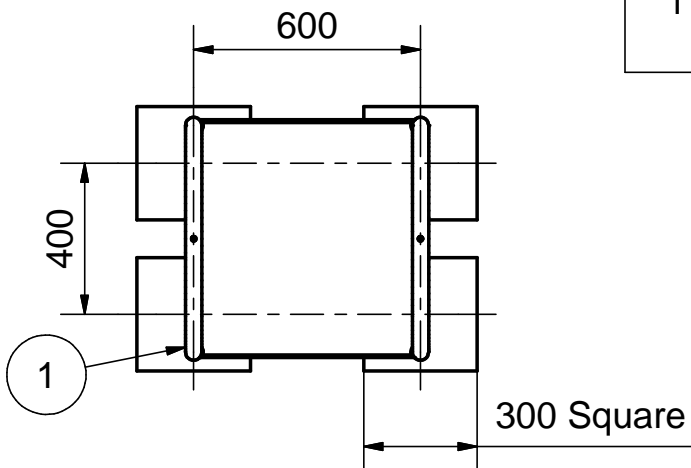
INSTALLATION INSTRUCTIONS

- 1 Read instructions thoroughly before commencing installation of unit
- 2 Excavate foundations as shown in the foundation plan
- 3 Position the unit on bricks in the excavated holes, ensuring it is plumb, square, at the correct height, distance and orientation
- 4 Backfill each hole with 0.032 cubic m concrete (4 parts gravel/2 parts sand/ 1 part cement)
- 5 Allow concrete to set for 48 hours

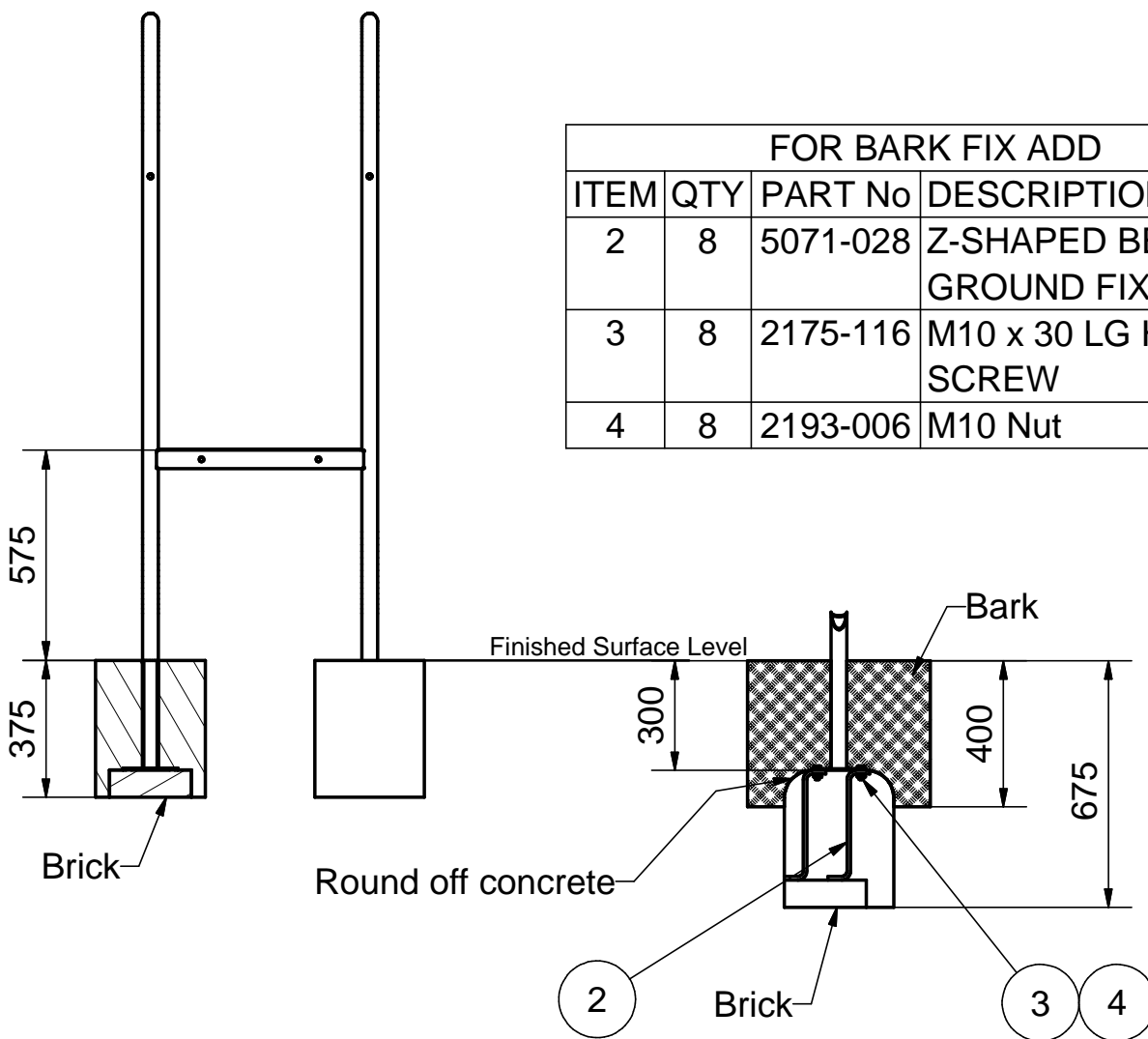
Note

Note ENSURE ALL INSTALLATION AIDS ARE REMOVED BEFORE FIRST USE

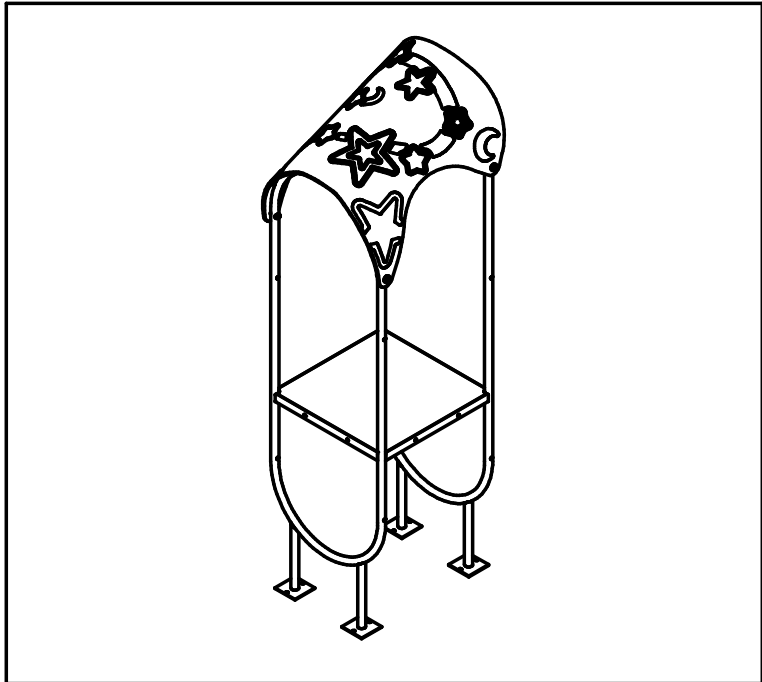
ITEM	QTY	PART No	DESCRIPTION
1	1	4201-260	SQUARE TOWER LEG ASSY




FOR BARK FIX ADD			
ITEM	QTY	PART No	DESCRIPTION
2	8	5071-028	Z-SHAPED BELOW GROUND FIXING
3	8	2175-116	M10 x 30 LG HEX HD SCREW
4	8	2193-006	M10 Nut



COMPILED AB	REV	0	1						
	ECN	1548	minor						
DATE: 14/02/08	SIG.	AB	TE						
	DATE:	14/02/08	09/07/10						



<h1>Mystical World</h1>	
High Sq. Tower with Roof	
PROD. CODE	6400-128
SIZE	0.85 x 0.85 x 2.89
AGE RANGE	3 to 8 years old
F/ FALL HEIGHT	900mm
HEAVIEST PART	Approx 75.25 kg
TOTAL WEIGHT	Approx 89.5 kg
	

SPECIFICATION

Steel nominal bore tube (medium) to BS 1387
 Steel RHS to BS 4848 Pt 2
 Solid steel to BS 970 Pt 1
 3mm Durbar chequer plate
 Welds are from copper-free wire to BS EN 440
 Low lead polyester powder paint to BS 71 Pt3

12.5mm thick HD polyethylene 100% recyclable non-toxic and complies with EN71
 Standard fixings are plated and made to either BS 3692 or BS 4190
 Non-standard fixings are anti-vandal and corrosion resistant

INSTALLATION INSTRUCTIONS

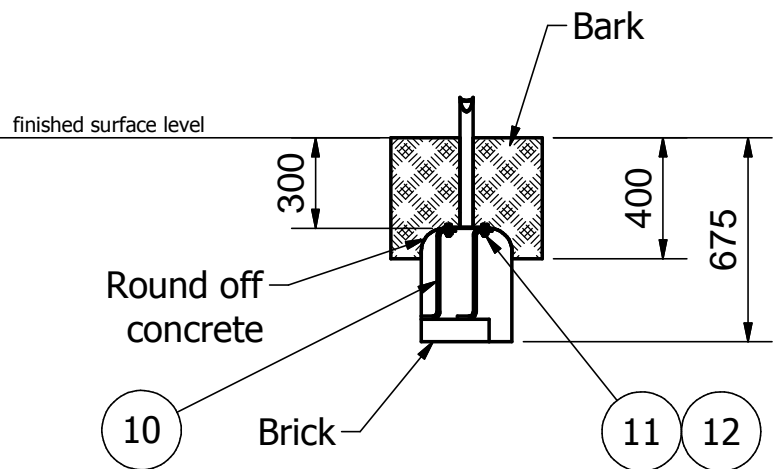
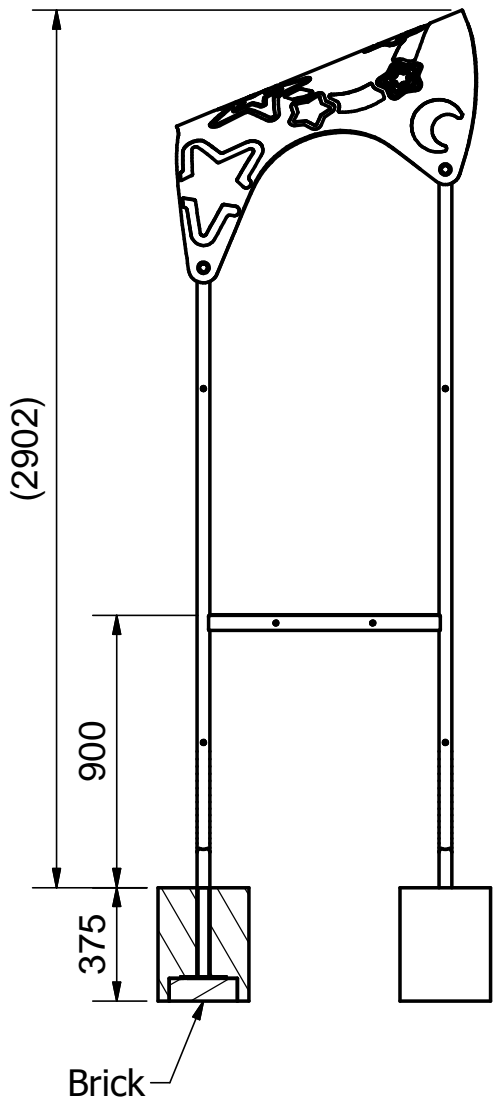
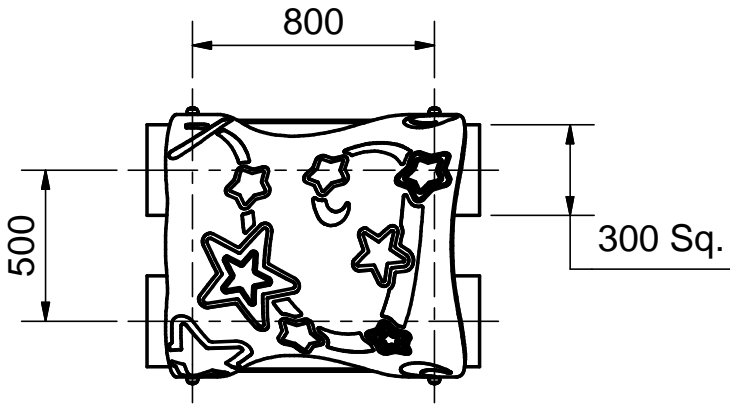
- 1 Read instructions thoroughly before commencing installation of unit
- 2 Excavate foundations as shown in the foundation plan
- 3 Position the unit on bricks in the excavated holes, ensuring it is plumb, square, at the correct height, distance and orientation
- 4 Backfill foundations with 0.125 cubic m of concrete (4 parts gravel/2 parts sand/ 1 part cement)
- 5 Allow concrete to set for 48 hour before first use

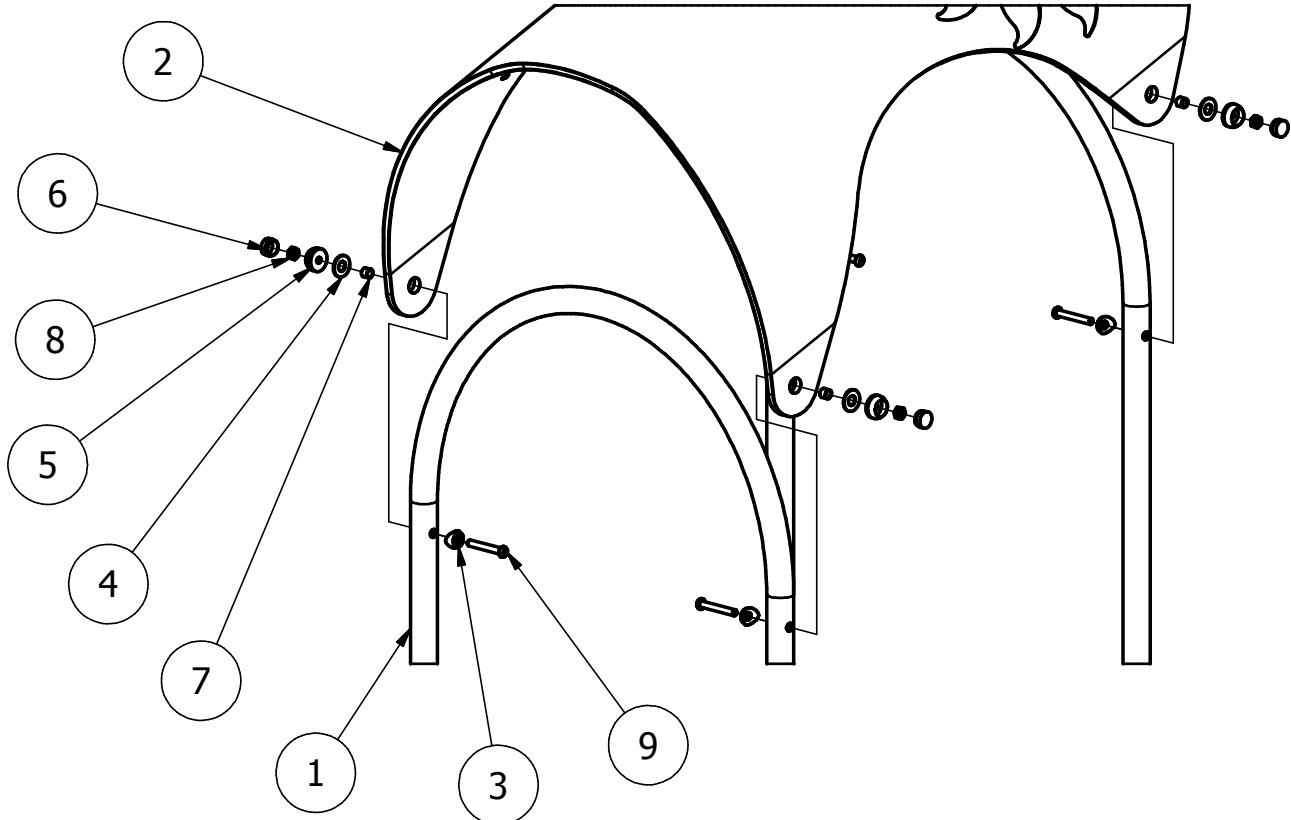
Note

Note ENSURE ALL INSTALLATION AIDS ARE REMOVED BEFORE FIRST USE!

Foundation Details

Care must be taken in abnormal conditions





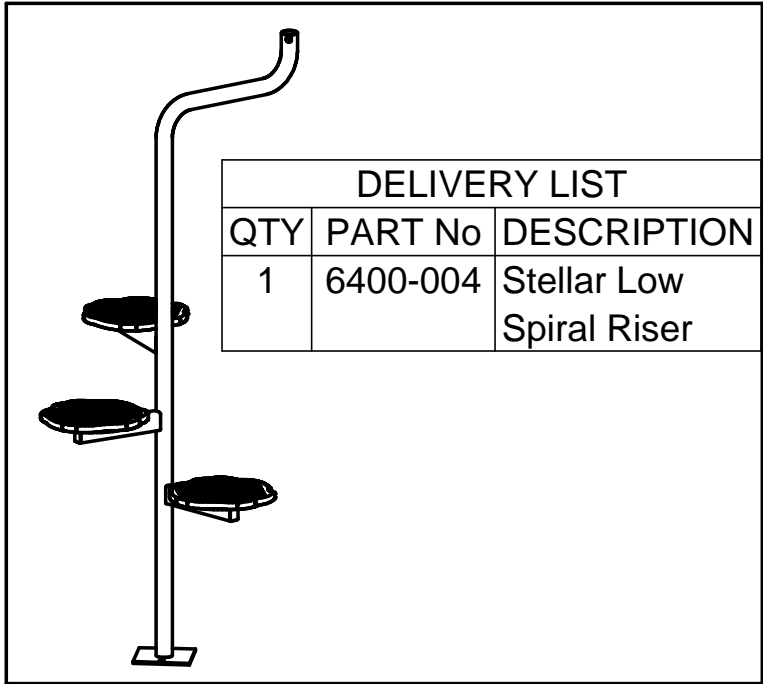
PARTS LIST


ITEM	QTY	PART NUMBER	DESCRIPTION
1	1	4201-605	800 HIGH TOWER ASSY
2	1	3755-488	MYSTICAL ROOF - Celestial Roof
3	4	3711-051	32 NBT SADDLE WASHER
4	4	2900-041	FIXING WASHER
5	4	2611-029_Cup	Yellow Poepplemann Cup
6	4	2611-029_Cap	Yellow Poepplemann Cap
7	4	2472-007	FIXING SPACER (THIN PANELS)
8	4	2191-010	M10 Binx Nut
9	4	2176-130	M10 x 75 Pent Button Head

FOR BARK FIX ADD

ITEM	QTY	PART NUMBER	DESCRIPTION
10	8	5071-028	Z-SHAPED BELOW GROUND FIXING
11	8	2175-116	M10 x 30 LG HEX HD SCREW
12	8	2193-006	M10 Nut

COMPILED DB	REV	0							
	ECN	1649							
DATE: 24/02/12	SIG.	DB							
	DATE:	24/02/12							



<h1>Mystical World</h1>	
<h2>Stellar Low Spiral Riser</h2>	
PROD. CODE	6400-049
SIZE	723 x 803 x 1407
AGE RANGE	3 to 8 years old
F/ FALL HEIGHT	<600mm
HEAVIEST PART	Approx 12 kg
TOTAL WEIGHT	Approx 15.5 kg
	

SPECIFICATION

Solid steel components to BS 970 Pt 1
 Steel Nominal Bore Tube (medium) to BS 1387
 RHS to BS 4848 Pt 2
 18mm thick HD polyethylene 100% recyclable non-toxic and complies with EN 71 with non-slip textured finish
 Non-standard fixings are anti-vandal and corrosion resistant
 Welds are from copper-free wire to BS EN 440
 Low lead polyester powder paint to BS 71 Pt 3

INSTALLATION INSTRUCTIONS

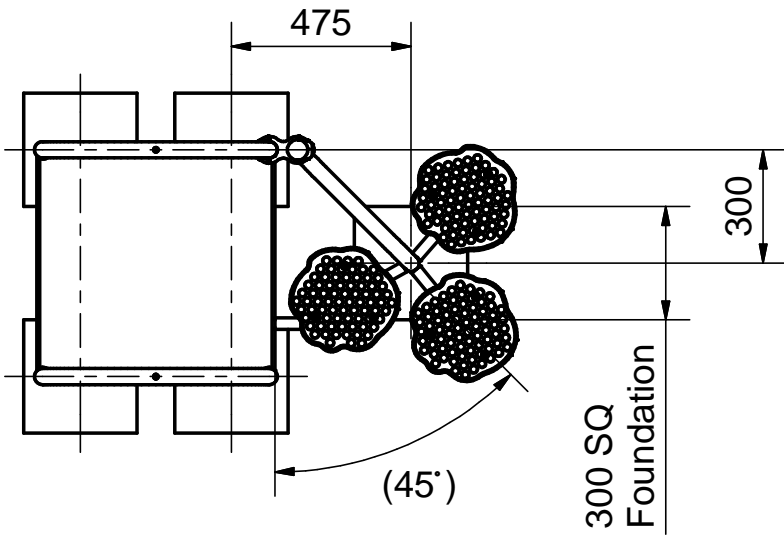
- 1 Read instructions thoroughly before commencing installation of unit
- 2 Excavate foundation as shown in the foundation plan
- 3 Position the riser on a brick in the excavated hole,
- 4 Fit clamp ensuring Spiral Riser is plumb, square, at correct height, distance and orientation without causing unnecessary strain on the clamp. Clamp is not supplied with accessory, but with unit.
5. Fit M10 x 45 Pent Button Head Screw and Washer to secure Spiral Riser to Frame. See Detail 'A' on Sheet 2.
- 6 Backfill with 0.032 cubic m concrete (4 parts gravel/2 parts sand/1 part cement)
- 7 Allow concrete to set for 48 hours

Note

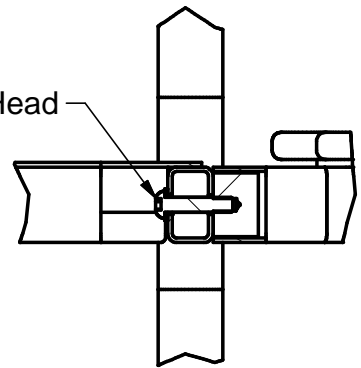
Note ENSURE ALL INSTALLATION AIDS ARE REMOVED BEFORE FIRST USE

Foundation Detail

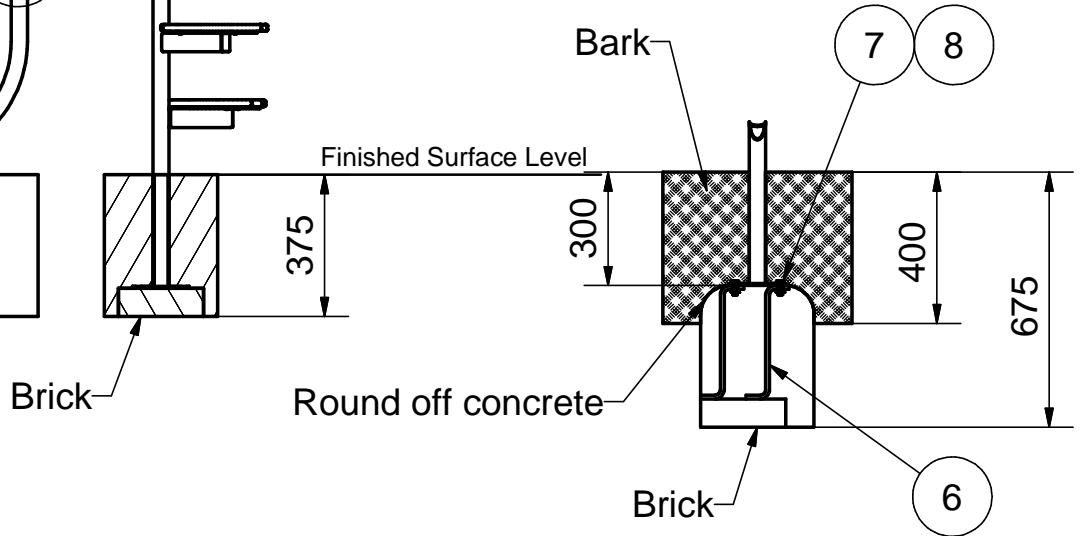
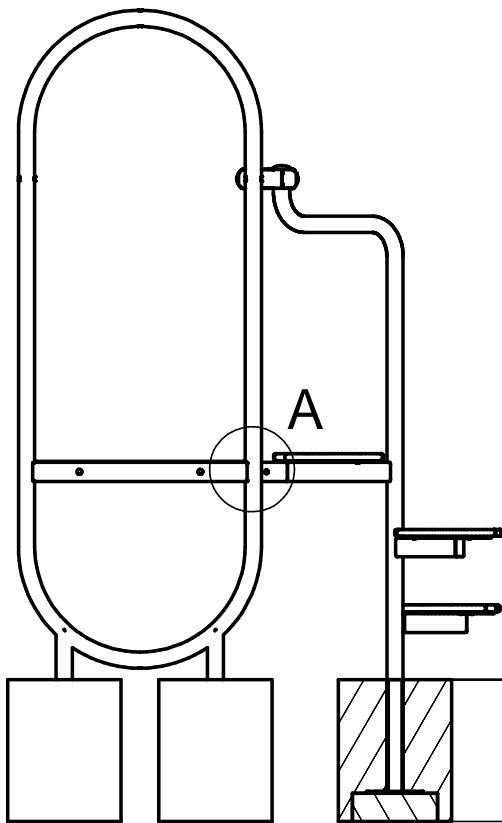
(Care must be taken in abnormal conditions)

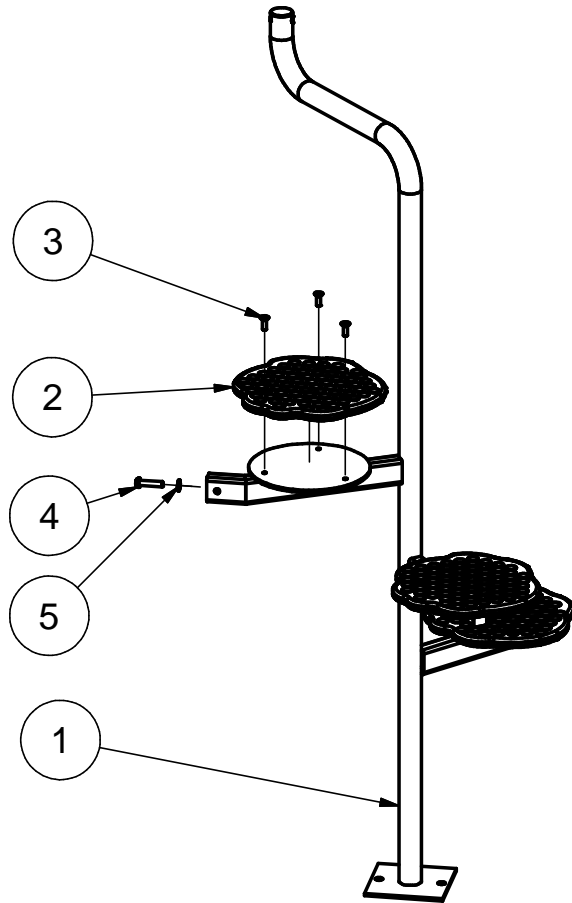


M10 x 45 Pent Button Head Screw and Washer



Detail A
Sectioned View





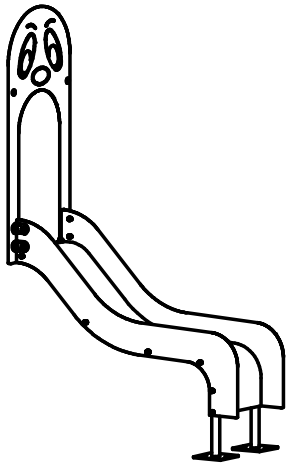
PARTS LIST

ITEM	QTY	PART NUMBER	DESCRIPTION
1	1	4201-257	WELDED ASSEMBLY
2	3	3755-699	ACCESS STEP
3	9	2176-227	M8 x 25 LG PENT C'SK SCREW
4	1	2176-128	M10 x 45 Pent Button Head
5	1	2215-508	M10 Washer

FOR BARK FIX ADD

ITEM	QTY	PART NUMBER	DESCRIPTION
6	2	5071-028	Z-SHAPED BELOW GROUND FIXING
7	2	2175-116	M10 x 30 LG HEX HD SCREW
8	2	2193-006	M10 Nut

COMPILED AB	REV	0	1	2	3	4				
	ECN	1548	minor	minor	minor	1677				
DATE: 15/02/08	SIG.	AB	TE	MC	DB	DB				
	DATE:	15/02/08	09/07/10	08/06/12	10/01/13	15/05/13				



DELIVERY LIST

QTY	PART No	DESCRIPTION
1	6400-059	Elf's Slide
1		Fixing Pack

Mystical World

Elf's Slide

PROD. CODE	6400-059
SIZE	495 x 1225 x 1698
AGE RANGE	3 to 8 years old
F/ FALL HEIGHT	<600mm
HEAVIEST PART	Approx 9.3 kg
TOTAL WEIGHT	Approx 26.5 kg



SPECIFICATION

Solid steel components to BS 970 Pt 1

RHS to BS 4848 Pt 2

Stainless steel 2mm thick to BS 1449 Pt 2

15mm & 19mm thick HD polyethylene 100% recyclable non-toxic and complies with EN 71

Non-standard fixings are anti-vandal and corrosion resistant

Welds are from copper-free wire to BS EN 440

Low lead polyester powder paint to BS 71 Pt 3

INSTALLATION INSTRUCTIONS

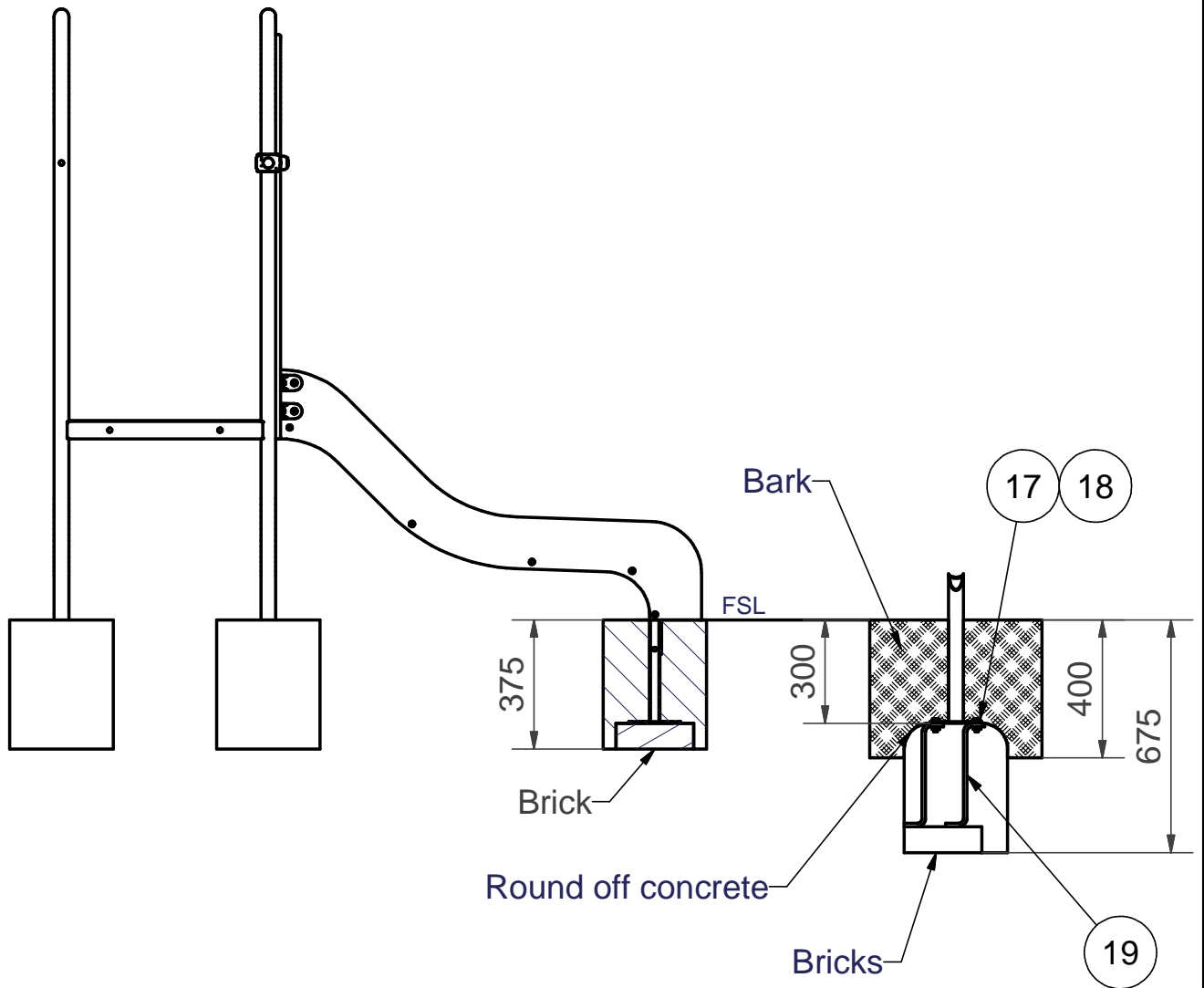
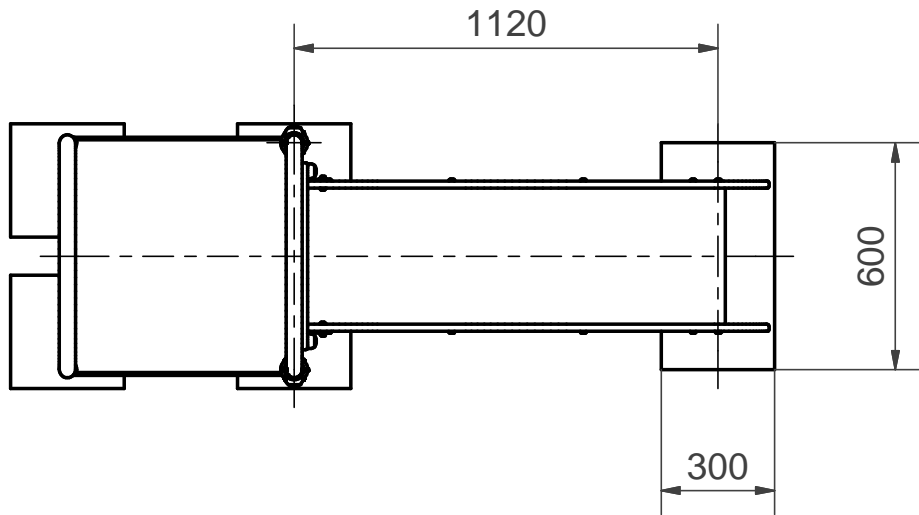
- 1 Read instructions thoroughly before commencing installation of unit
- 2 Excavate foundation as shown in the foundation plans
- 3 Position the slide on bricks in the hole, ensuring it is plumb, square, at the correct height, distance and orientation and fix to tower as shown
- 4 Fit clamps, ensuring there is no unnecessary strain on the clamps. Clamps are not supplied with accessory but with unit
- 5 Backfill with 0.062 cubic m concrete (4 parts gravel/2 parts sand/1 part cement)
- 6 Allow concrete to set for 48 hours

Note In accordance with 6.1.3 EN1176-1:2008 we recommend that slides do not face south or near due south due to heat build up.

Note ENSURE ALL INSTALLATION AIDS ARE REMOVED BEFORE FIRST USE

Foundation Details

(Care must be taken in abnormal conditions)

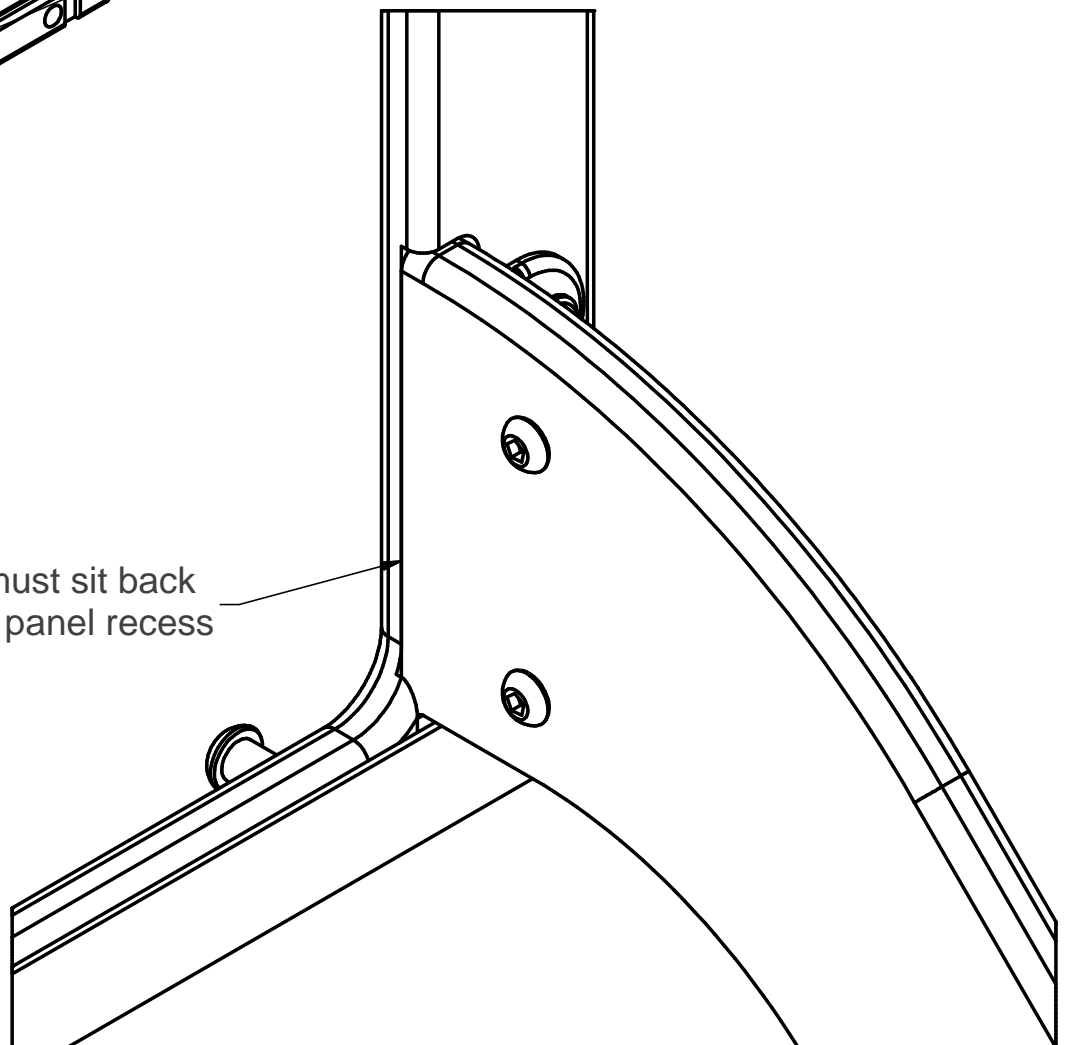
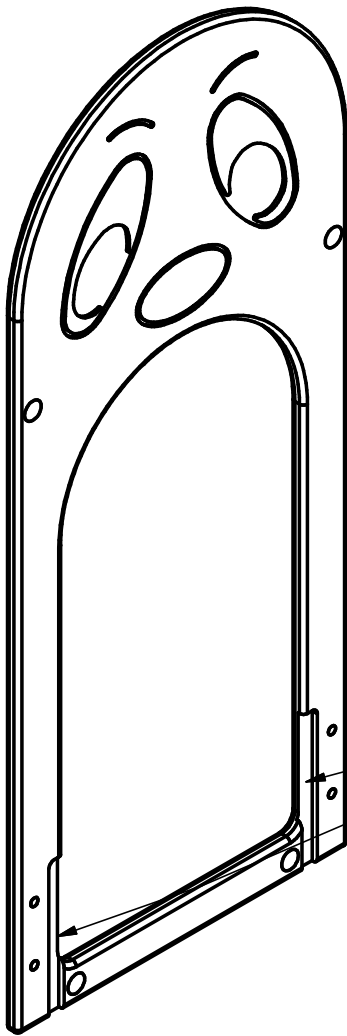


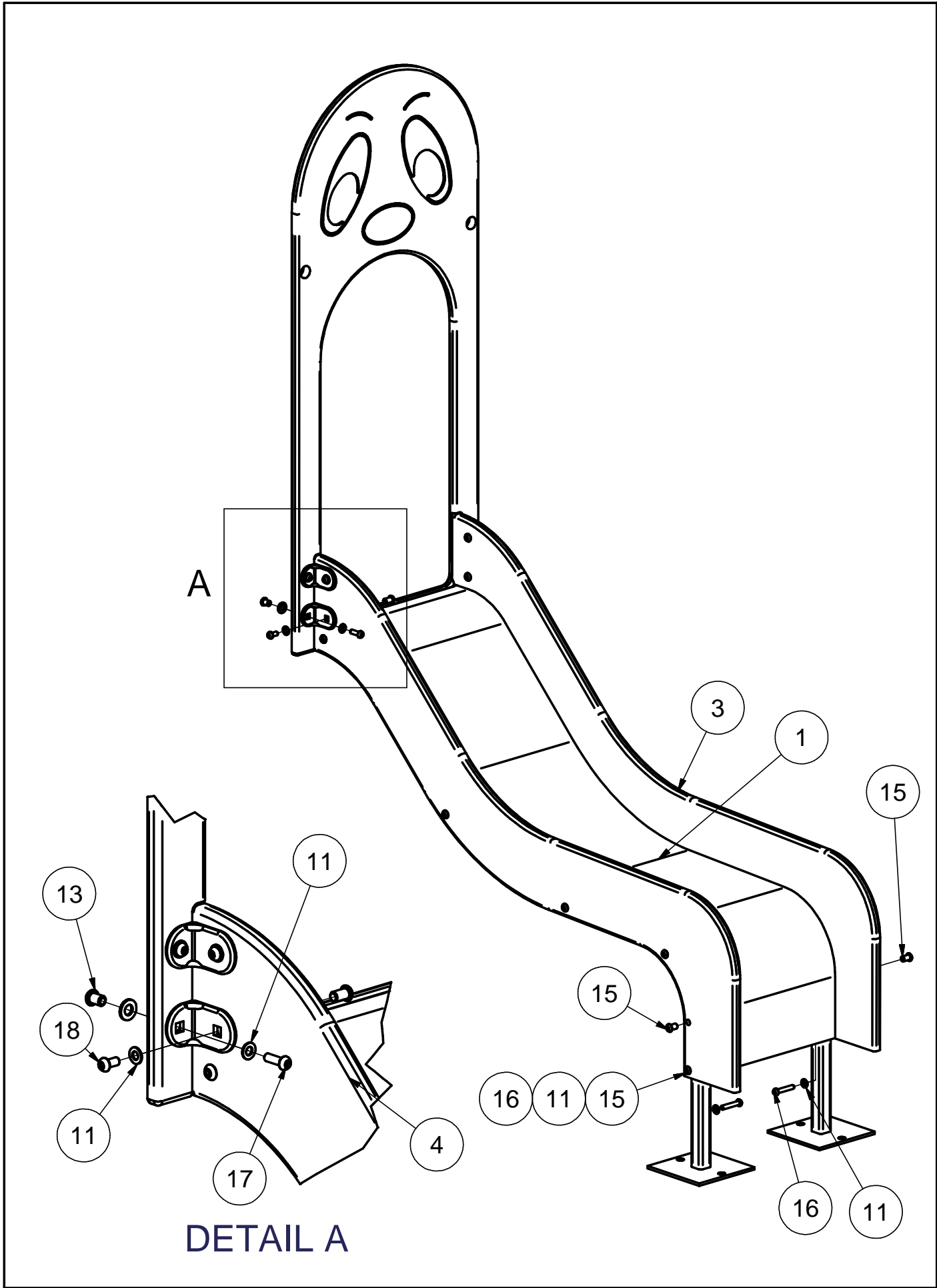
PANEL FIXING

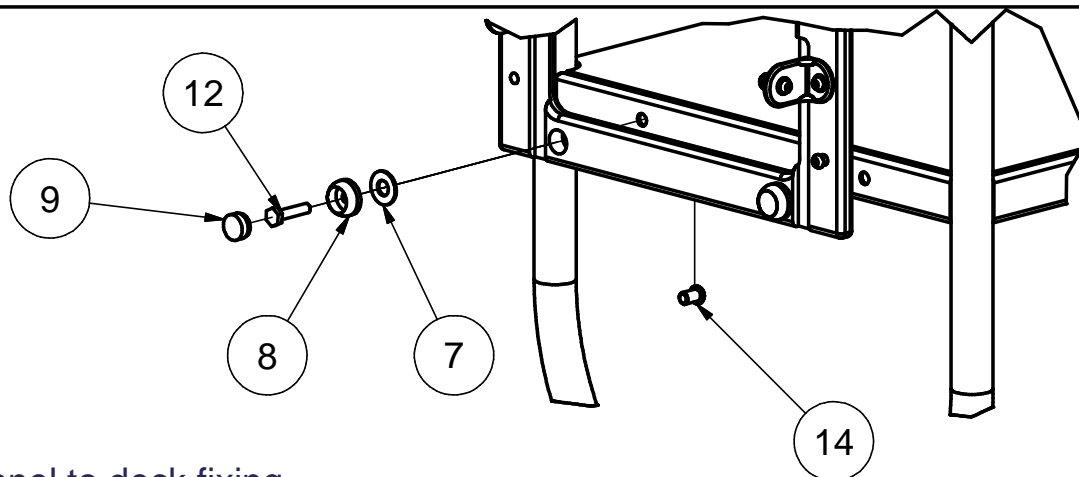
NOTE: There should be no gaps between panels or between slide chute and panels. All panels & slide chute should fit fully into recesses. No gaps must remain after installation!

Slide start panel is recessed to take slide side panels.

Side panels must sit back fully into start panel recess







Panel to deck fixing
Chute not shown

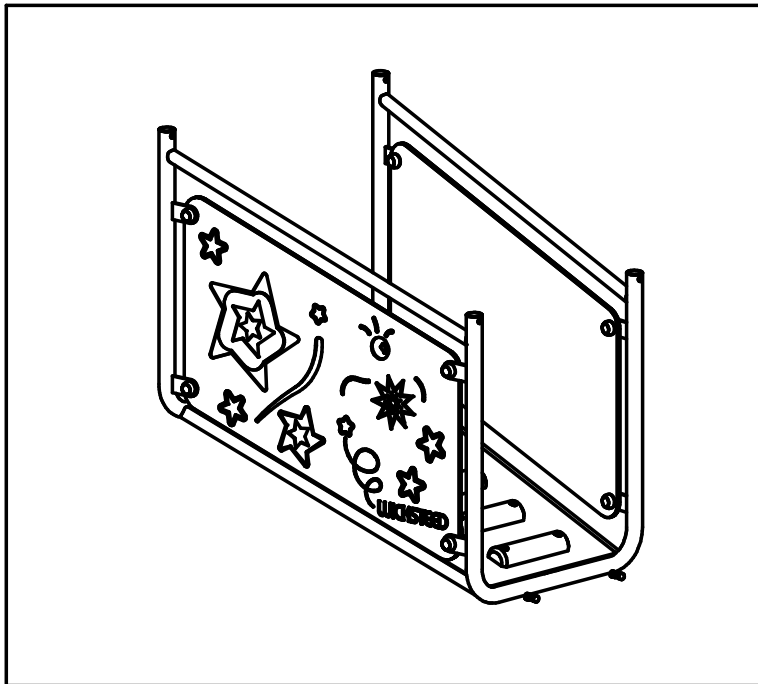
PARTS LIST

ITEM	QTY	PART NUMBER	DESCRIPTION
1	1	4201-269	LOW WELDED CHUTE
2	2	4201-211	SLIDE GROUND FIXING
3	1	3755-626	LH CHUTE PANEL
4	1	3755-625	RH CHUTE PANEL
5	1	3755-589	SLIDE START PANEL
6	4	2900-057	FIXING BRACKET (RED)
7	2	2900-041	FIXING WASHER
8	2	2611-029_Cup	Yellow Poepplemann Cup
9	2	2611-029_Cap	Yellow Poepplemann Cap
10	4	2215-508	M10 Washer
11	20	2215-507	M8 Washer
12	2	2185-037	M10 x 45 Hex Head Bolt
13	4	2177-004	M8 Short Safety Fastener
14	2	2177-002	M10 Safety Fastener
15	16	2177-001	M8 Safety Fastener
16	4	2176-155	M8 x 45 Pent Button Head
17	4	2176-152	M8 x 25 Pent Button Head
18	12	2176-151	M8 x 16 Pent Button Head

FOR BARK FIX ADD

ITEM	QTY	PART NUMBER	DESCRIPTION
17	4	2175-116	M10 x 30 LG HEX HD SCREW
18	4	2193-006	M10 Nut
19	4	5071-028	Z-SHAPED BELOW GROUND FIXING

COMPILED AB	REV	0	1	2	3	4	5	6	7
	ECN	1548	minor	1658	Minor	1671	1677	1699	Minor
DATE: 20/02/08	SIG.	AB	TE	DB	DB	DB	DB	DB	MC
	DATE:	20/02/08	20/02/08	10/05/12	31/08/12	23/11/12	14/05/13	17/11/14	18/08/15



<h1>Mystical World</h1>	
<h2>Galaxy bridge</h2>	
PROD. CODE	6400-137
SIZE	0.85 x 1.1 x 1.14
AGE RANGE	3 to 8 years old
F/ FALL HEIGHT	900mm
HEAVIEST PART	Approx 43 kg
TOTAL WEIGHT	Approx 61 kg
	

SPECIFICATION

Solid steel components EN 10087: 1998
 Steel plate to EN 10025-2: 2004
 Steel RHS to EN 10210-2: 1997
 Steel CHS to EN 10255-2: 2004
 HDPE to EN ISO 14632: 1998

Welding to EN ISO 14341: 2011
 Paint to EN 13438: 2005
 Standard fixings to BS 3692: 2001 and
 BS 4190: 2001
 Non-standard fixings are anti-vandal and
 corrosion resistant

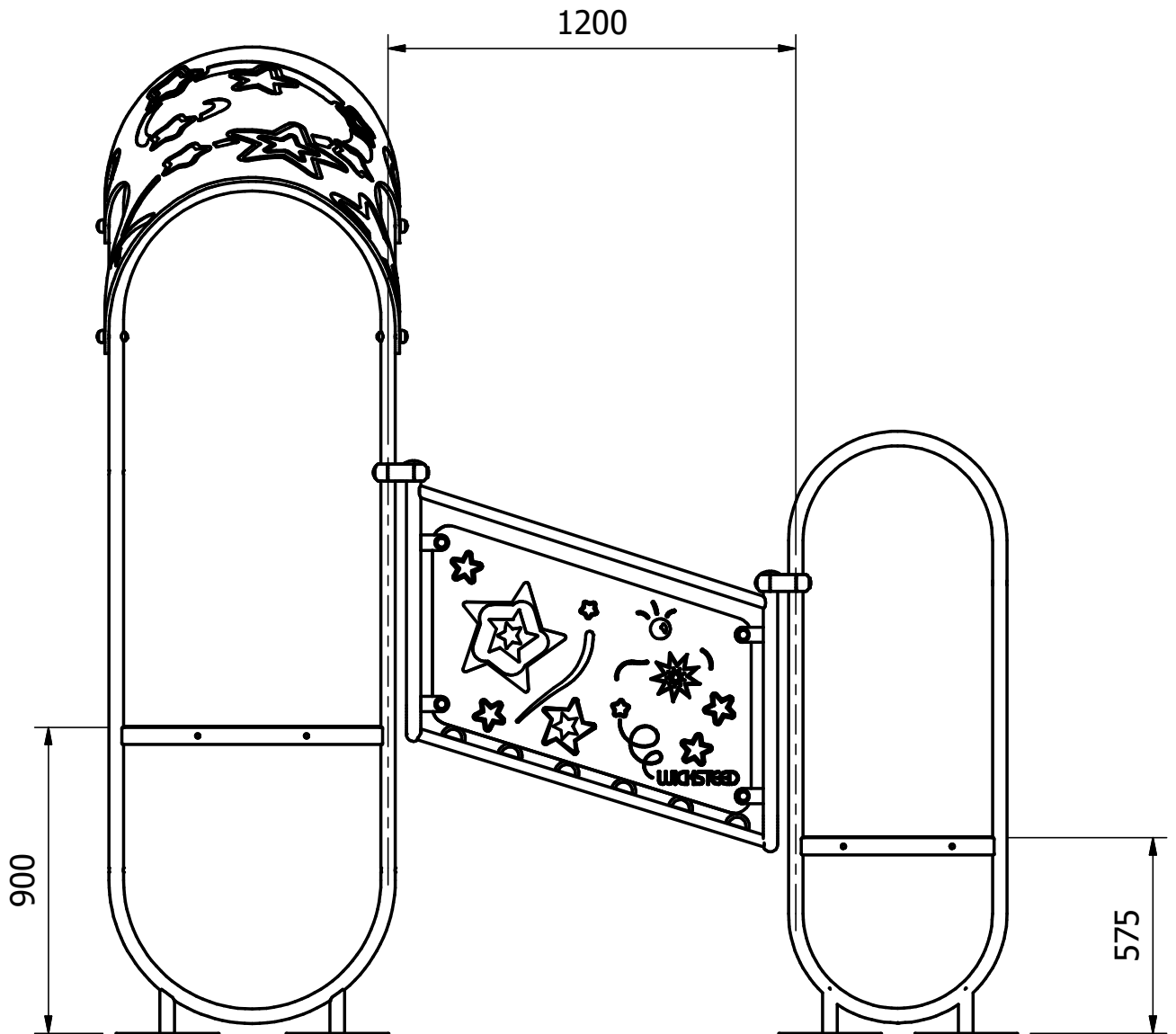
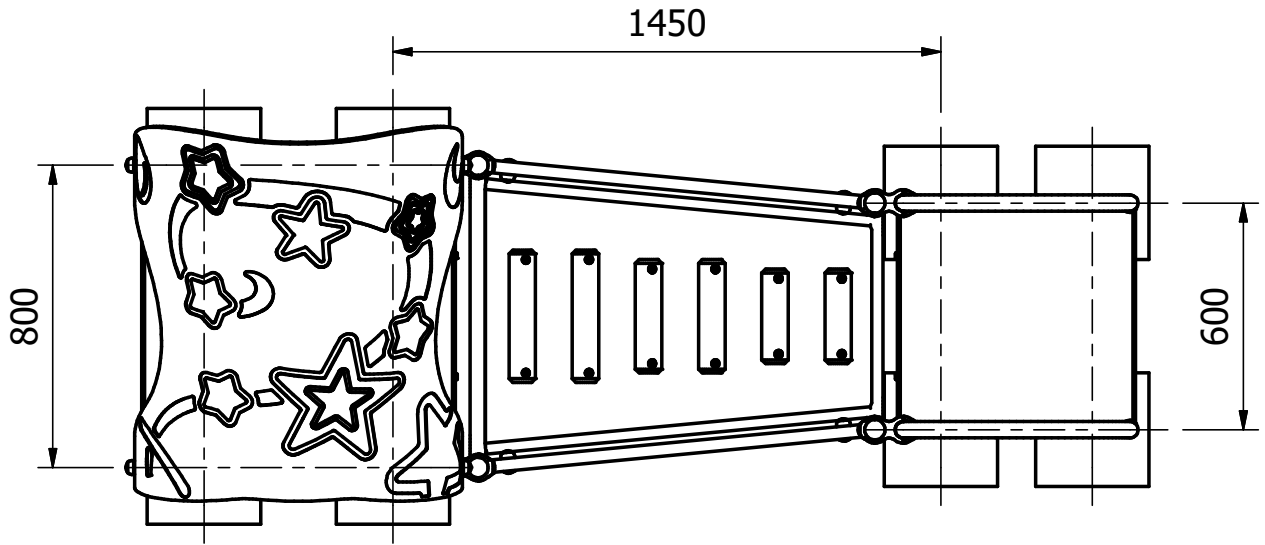
INSTALLATION INSTRUCTIONS

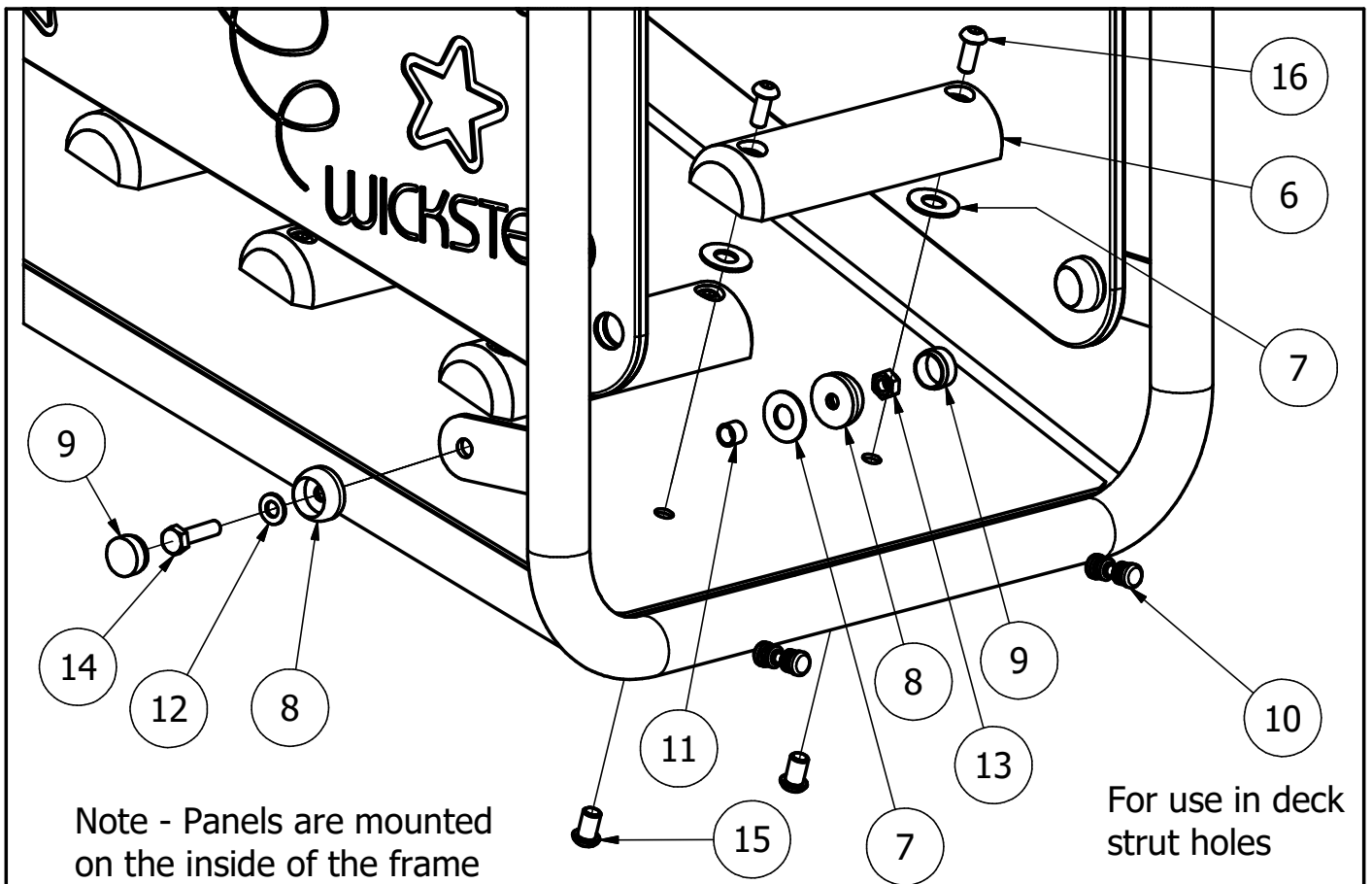
- 1 Read instruction thoroughly before commencing installation of unit
- 2 Ensure towers are positioned at the correct heights and distance from each other and are square to each other
- 3 Position and support bridge between towers at the correct height
- 4 Fit clamps, ensuring there is no unnecessary strain on the clamps. Clamps are not supplied with accessory but with unit
- 5 Ensure plastic inserts are fitted to unused holes in deck struts

Note

Note ENSURE ALL INSTALLATION AIDS ARE REMOVED BEFORE FIRST USE

Tower positions

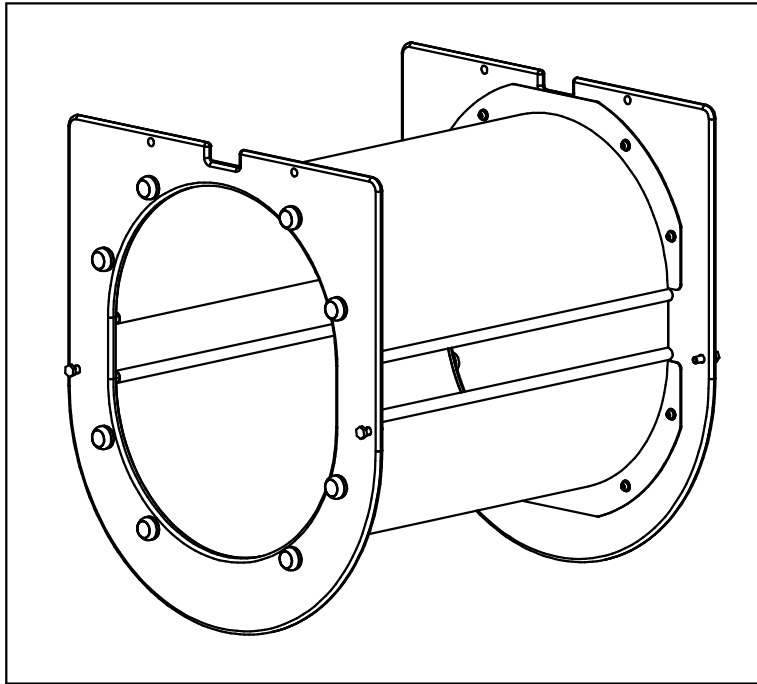





PARTS LIST

ITEM	QTY	PART NUMBER	DESCRIPTION
1	1	4202-415	GALAXY BRIDGE FRAME
2	1	3755-999	RH BRIDGE PANEL
3	1	3755-998	LH BRIDGE PANEL
4	2	3730-136	Plastic Log 350mm Lg
5	2	3730-135	Plastic Log 300mm Lg
6	2	3730-134	Plastic Log 250mm Lg
7	20	2900-041	NEOPRENE WASHER
8	16	2611-032_Cup	Blue Poepelmann Cup
9	16	2611-032_Cap	Blue Poepelmann Cap
10	8	2611-017	INSERT PLUG
11	8	2472-007	FIXING SPACER (THIN PANELS)
12	8	2215-508	M10 Washer
13	8	2191-010	M10 Binx Nut
14	8	2185-036	M10 x 40 LG HEX HD SCREW
15	12	2177-002	M10 Safety Fastener
16	12	2176-126	M10 x 25 Pent Button Head

COMPILED AB	REV	0	1	2	3				
	ECN	1724	minor	minor	1773				
DATE: 08/06/15	SIG.	AB	AB	AB	AB				
	DATE:	08/06/15	29/01/16	25/09/17	10/11/17				



Mystical World	
Tower Tunnel	
PROD. CODE	6400-112
SIZE	0.7 x 0.77 x 0.79
AGE RANGE	Up to 8 years old
F/ FALL HEIGHT	>600mm
HEAVIEST PART	Approx 11.72 kg
TOTAL WEIGHT	Approx 47.8 kg
	

SPECIFICATION

Stainless steel 2mm thick to BS 1449 Pt 2
 Solid steel to BS 970 Pt 1
 Welds are from copper-free wire to BS EN 440
 Low lead polyester powder paint to BS 71 Pt3

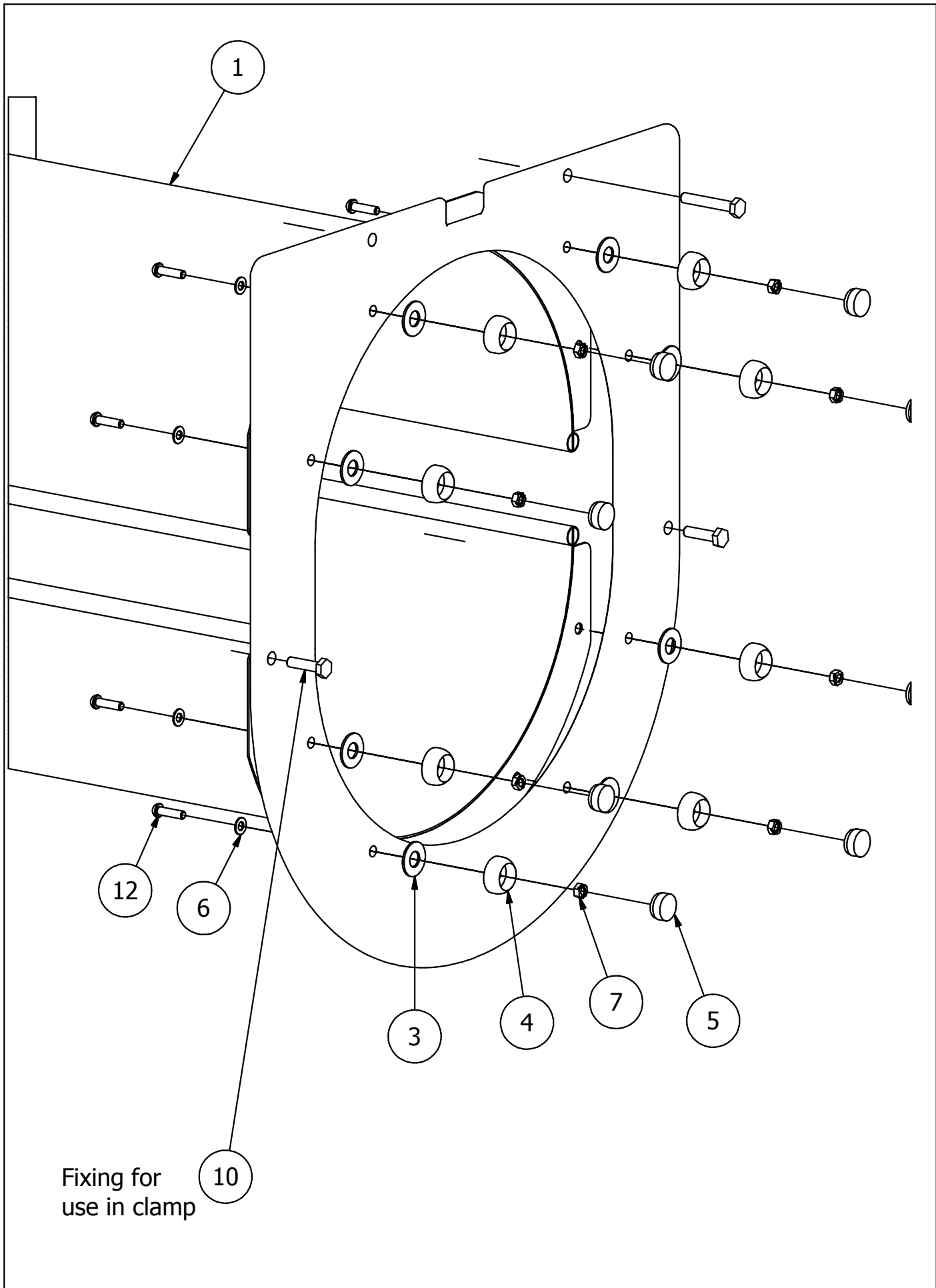
Standard fixings are plated and made to either BS 3692 or BS 4190
 Non-standard fixings are anti-vandal and corrosion resistant

INSTALLATION INSTRUCTIONS

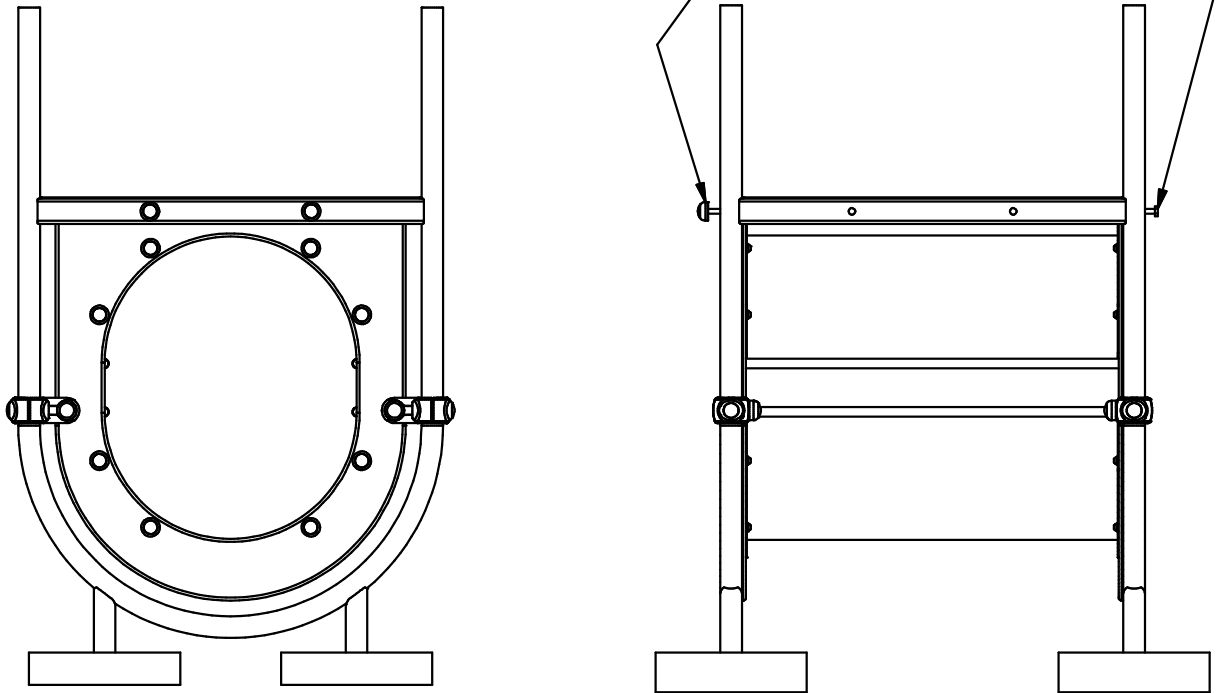
- 1 Read instructions thoroughly before commencing installation of unit
- 2 Position tunnel under the tower and fix to deck struts using appropriate fixings. Fixngs will vary depending on if there is a barrier and if there is the thickness of it.
- 3 Fit clamps, ensuring there is no unnecessary strain on the clamps. Clamps are not supplied with accessory but with unit

Note

Note **ENSURE ALL INSTALLATION AIDS ARE REMOVED BEFORE FIRST USE**



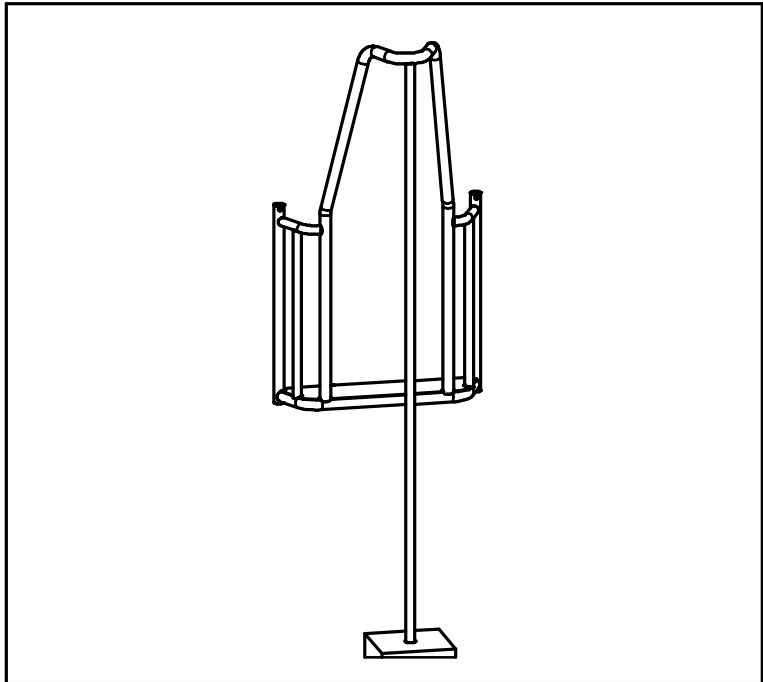
Fixings depend on barrier thickness




PARTS LIST

ITEM	QTY	PART NUMBER	DESCRIPTION
1	2	4201-608	WELDED CHUTE
2	2	3755-958	TUNNEL END PANEL
3	16	2900-041	FIXING WASHER
4	18	2611-032_Cup	Blue Poeppelmann Cup
5	18	2611-032_Cap	Blue Poeppelmann Cap
6	16	2215-507	M8 Washer
7	16	2191-009	M8 Binx Nut
8	2	2185-042	M10 x 70 HEX HEAD BOLT
9	2	2185-041	M10 x 65 Hex Head Bolt
10	4	2185-036	M10 x 40 Hex Head Bolt
11	4	2177-002	M10 Safety Fastener
12	16	2176-153	M8 x 30 Pent Button Head

COMPILED AB	REV	0	1						
	ECN	1645	1712						
DATE: 05/09/11	SIG.	AB	DB						
	DATE:	5/9/11	23/01/15						



<h1>Mystical World</h1>	
<h2>High Fireman's Pole</h2>	
PROD. CODE	6400-118
SIZE	0.85 x 0.67 x 2.42
AGE RANGE	Up to 8 years old
F/ FALL HEIGHT	900mm
HEAVIEST PART	Approx 37.2 kg
TOTAL WEIGHT	Approx 37.3 kg
	

SPECIFICATION

Steel nominal bore tube (medium) to BS 1387
 Steel RHS to BS 4848 Pt 2
 Solid steel to BS 970 Pt 1
 3mm Durbar chequer plate
 Welds are from copper-free wire to BS EN 440
 Low lead polyester powder paint to BS 71 Pt3

Non-standard fixings are anti-vandal and corrosion resistant

INSTALLATION INSTRUCTIONS

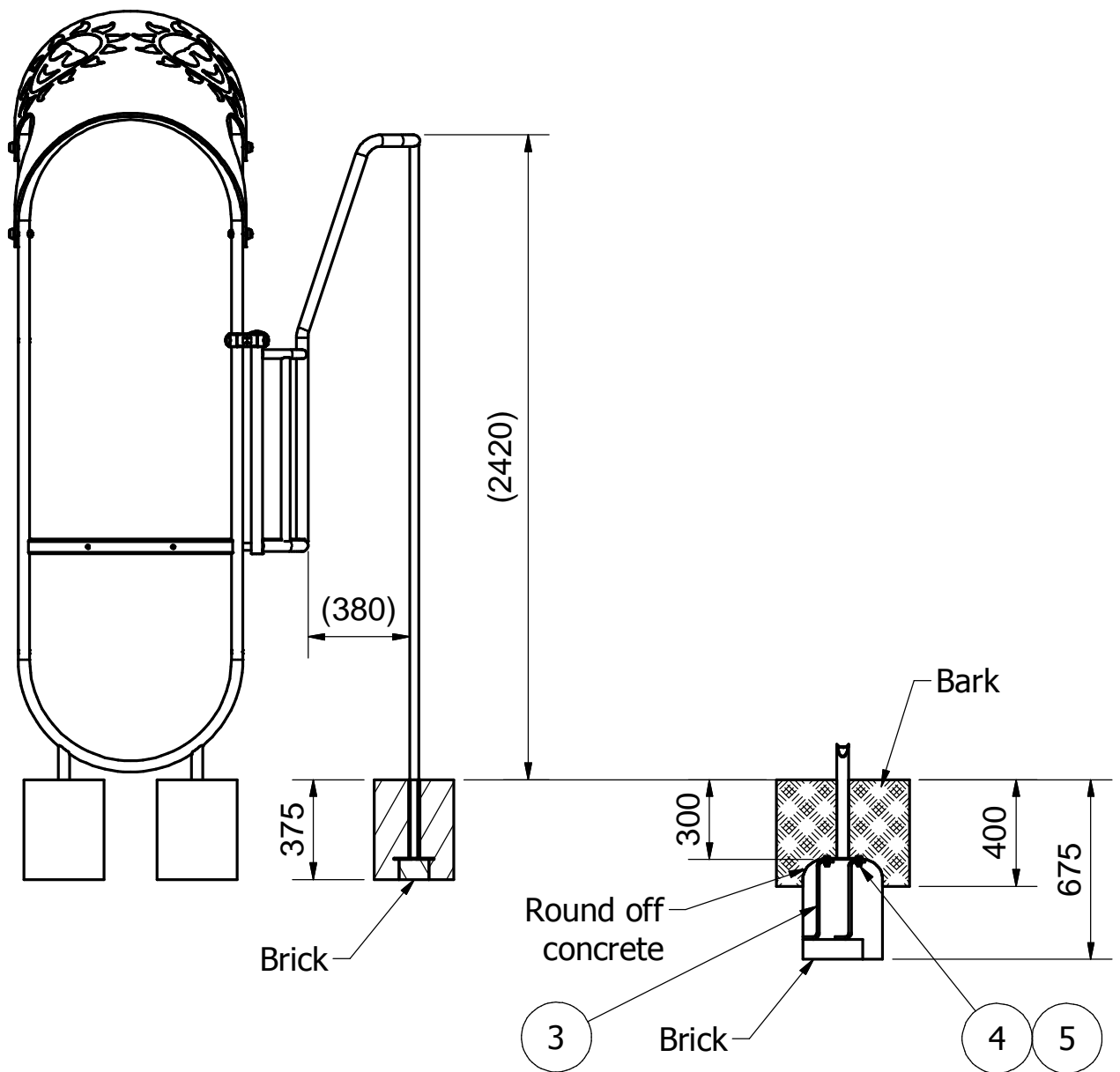
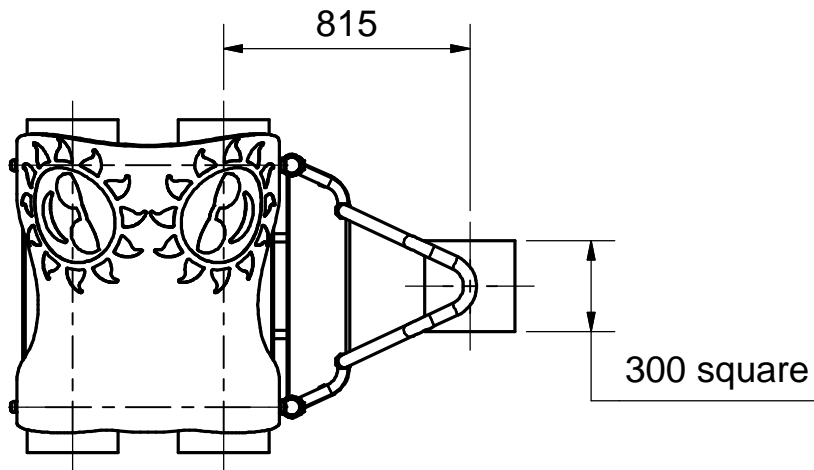
- 1 Read instructions thoroughly before commencing installation of unit
- 2 Excavate foundations as shown in the foundation plan
- 3 Position the unit on a brick in the excavated hole and fasten against the tower deck strut.
- 4 Fit clamps, ensuring there is no unnecessary strain on the clamps. Clamps are not supplied with the accessory but with the unit.
- 5 Backfill foundations with 0.03 cubic m of concrete (4 parts gravel/2 parts sand/1 part cement)
- 6 Allow concrete to set for 48 hour before first use

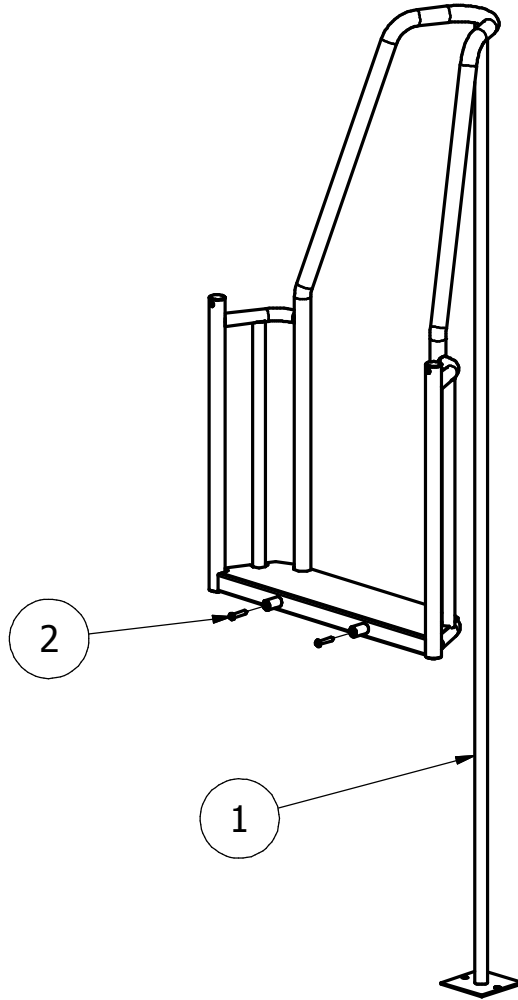
Note

Note **ENSURE ALL INSTALLATION AIDS ARE REMOVED BEFORE FIRST USE**

Foundation details

Care must be taken in abnormal conditions





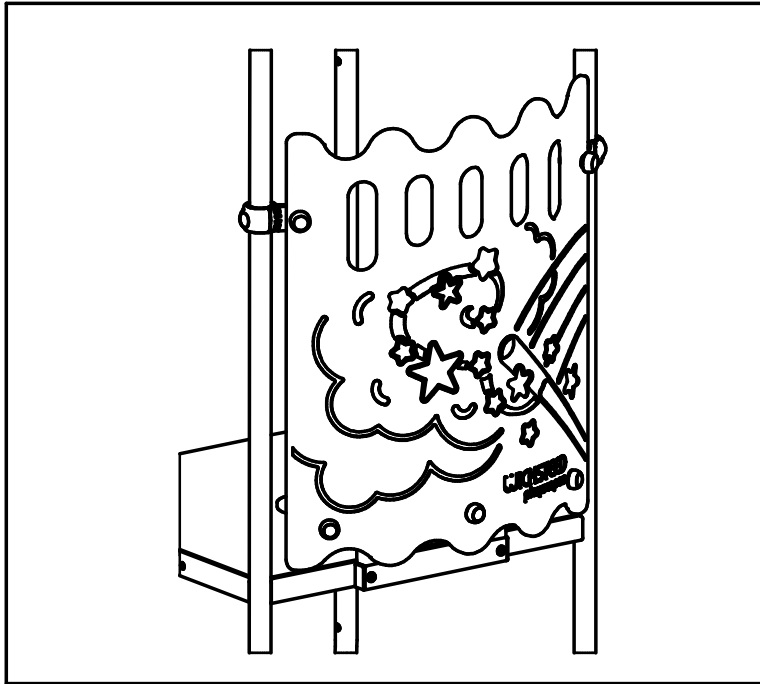
Parts List


ITEM	QTY	PART NUMBER	DESCRIPTION
1	1	4201-650	WELDED HIGH POLE
2	2	2176-129	M10 x 50 Pent Button Head

FOR BARK FIX ADD

ITEM	QTY	PART NUMBER	DESCRIPTION
3	2	5071-028	Z-SHAPED BELOW GROUND FIXING
4	2	2175-116	M10 x 30 LG HEX HD SCREW
5	2	2193-006	M10 Nut

COMPILED AB	REV	0							
	ECN	1645							
DATE: 05/09/11	SIG.	AB							
	DATE:	5/9/11							



<h1>Mystical World</h1>	
<h2>Cosmos Viewing Barrier</h2>	
PROD. CODE	6400-126
SIZE	0.74 x 0.24 x 0.98
AGE RANGE	Up to 8 years old
F/ FALL HEIGHT	N/A
HEAVIEST PART	Approx 7.4 kg
TOTAL WEIGHT	Approx 16.7 kg
	

SPECIFICATION

Steel RHS to BS 4848 Pt 2

Solid steel to BS 970 Pt 1

Welds are from copper-free wire to BS EN 440

Low lead polyester powder paint to BS 71 Pt3

12.5mm thick HD polyethylene 100% recyclable

non-toxic and complies with EN71

Standard fixings are plated and made to either BS 3692 or BS 4190

Non-standard fixings are anti-vandal and corrosion resistant

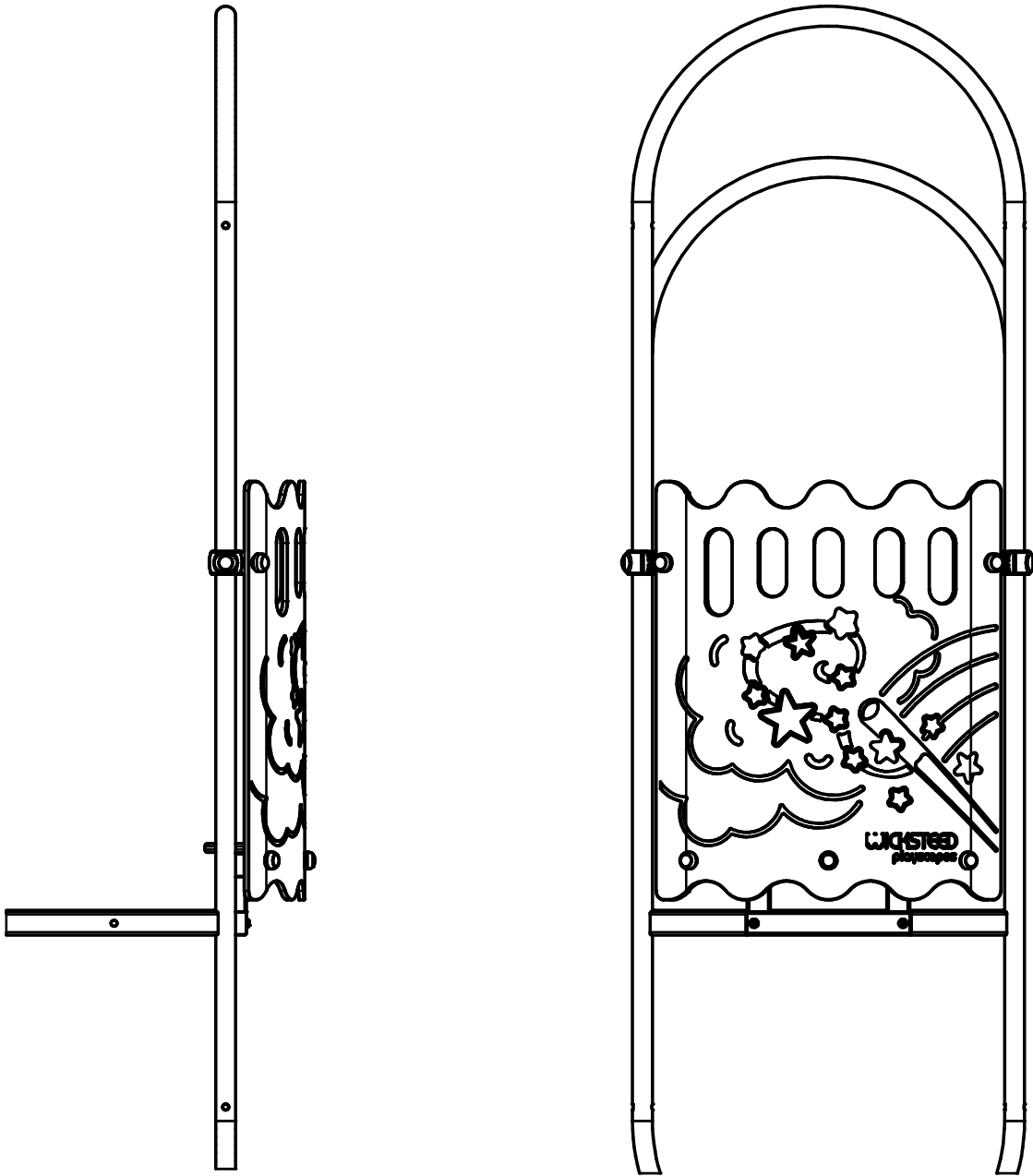
INSTALLATION INSTRUCTIONS

- 1 Read instructions thoroughly before commencing installation of unit
- 2 Position barrier against tower and fix frames together.
- 3 Fit clamps using screws provided with barrier, ensuring there is no unnecessary strain on the clamps. Clamps are not supplied with the accessory but with the unit

Note

Note ENSURE ALL INSTALLTION AIDS ARE REMOVED BEFORE FIRST USE!

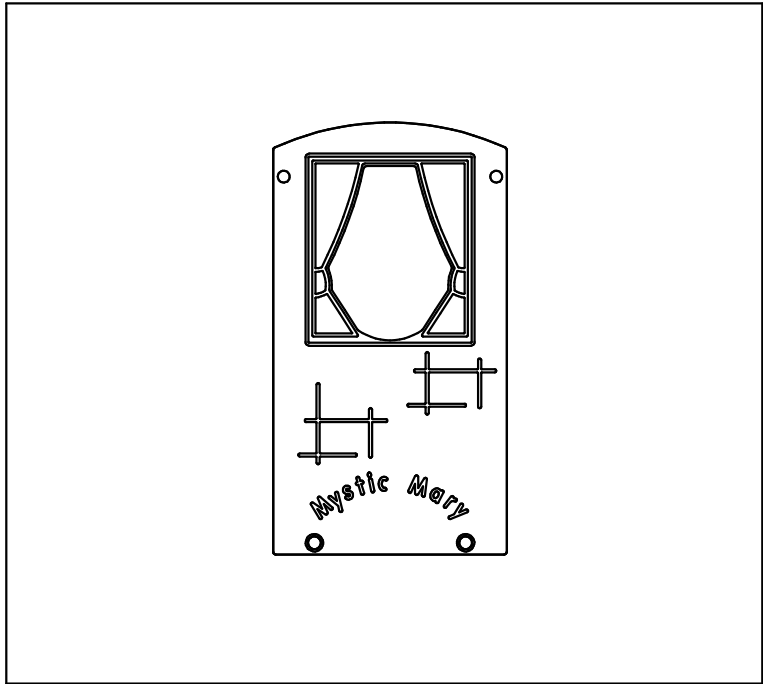
Barrier Position On Tower



PARTS LIST

ITEM	QTY	PART NUMBER	DESCRIPTION
1	1	4201-617	FRAME ASSY
2	1	3755-486	VIEW BARRIER PANEL
3	1	3755-494	SEAT PANEL
4	3	2900-041	FIXING WASHER
5	3	2613-014	M10 Protective Cap
6	5	2611-036	BLANKING PLUG
7	3	2611-029_Cup	Yellow Poepplemann Cup
8	3	2611-029_Cap	Yellow Poepplemann Cap
9	5	2571-012	M10 Fibre Washer
10	3	2472-007	FIXING SPACER (THIN PANELS)
11	5	2215-508	M10 Washer
12	3	2191-010	M10 Binx Nut
13	2	2185-038	M10 x 50 Hex Head Bolt
14	3	2185-036	M10 x 40 LG HEX HD SCREW
15	2	2177-002	M10 Safety Fastener
16	2	2176-129	M10 x 50 Pent Button Head
17	5	2175-115	M10 x 25 LG HEX HD SCREW

COMPILED DB	REV	0							
	ECN	1649							
DATE: 24/02/12	SIG.	DB							
	DATE:	24/02/12							



<h1>Mystical World</h1>	
<h2>Fortune Tellers Window</h2>	
PROD. CODE	6400-130
SIZE	495 x 1148
AGE RANGE	
F/ FALL HEIGHT	N/A
HEAVIEST PART	
TOTAL WEIGHT	Approx 6.6 kg

SPECIFICATION

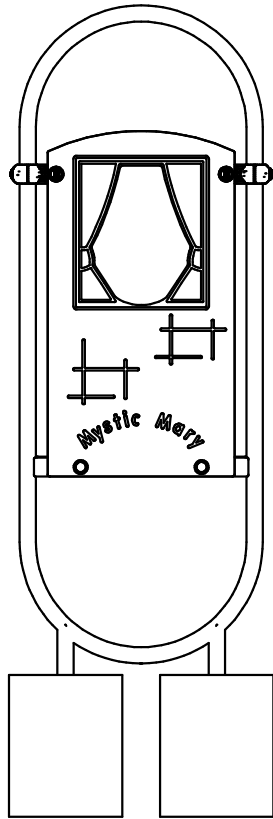
15mm thick HD polyethylene 100% recyclable non toxic and complies with EN 71

INSTALLATION INSTRUCTIONS

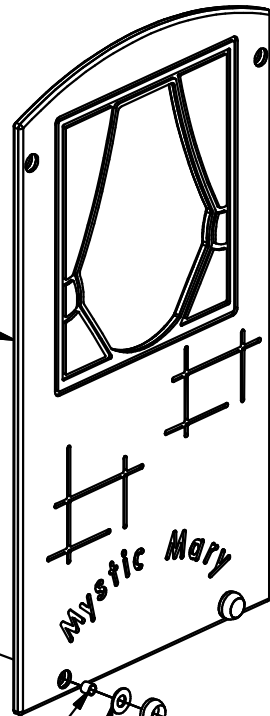
1. Read instructions thoroughly before commencing installation of unit.
2. Fit clamps to tower.
3. Fit barrier to clamps an tower as shown.

Note

Note ENSURE ALL INSTALLATION AIDS ARE REMOVED BEFORE FIRST USE!



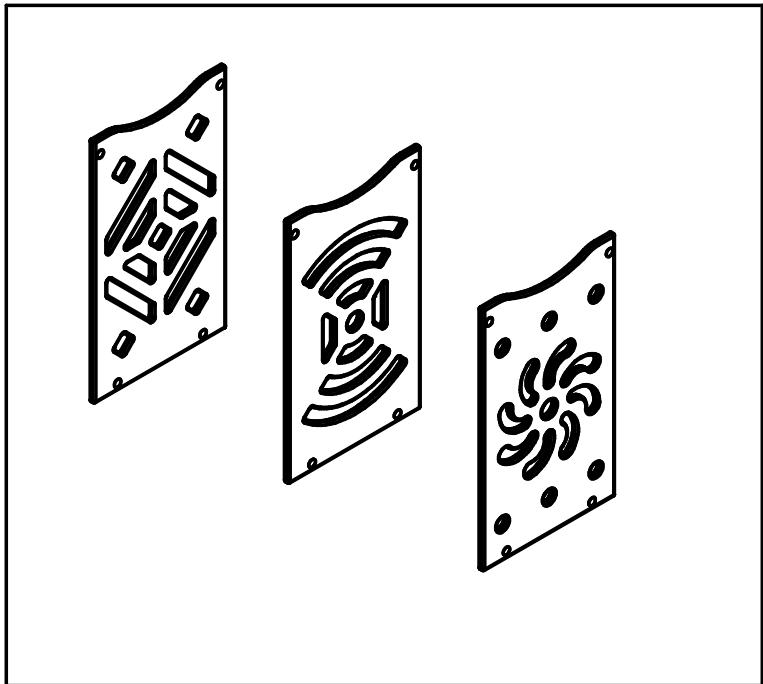
Fitted from behind tower frame strut




PARTS LIST

ITEM	QTY	PART NUMBER	DESCRIPTION
1	1	3755-684	SHORT MYSTIC MARY PANEL
2	2	2900-041	FIXING WASHER
3	2	2611-033_Cup	Green Poepplemann Cup
4	2	2611-033_Cap	Green Poepplemann Cap
5	2	2472-009	FIXING SPACER (15 panel)
6	2	2185-037	M10 x 45 Hex Head Bolt
7	2	2177-002	M10 Safety Fastener

COMPILED DB	REV	0	1	2					
	ECN	1649	1677	1699					
DATE: 20/01/2012	SIG.	DB	DB	DB					
	DATE:	27/02/12	08/05/13	06/11/14					



<h1>Mystical World</h1>	
<h2>Barriers</h2>	
PROD. CODE	6400-***
SIZE	Varies
AGE RANGE	
F/ FALL HEIGHT	N/A
HEAVIEST PART	Approx 8.8 kg
TOTAL WEIGHT	
	

SPECIFICATION

15mm thick HD polyethylene 100% recyclable non-toxic and complies with EN 71

INSTALLATION INSTRUCTIONS

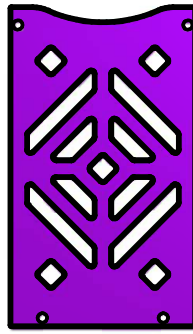
- 1 Read instructions thoroughly before commencing installation of unit
- 2 Fit clamps to tower
- 3 Fit barrier to clamps and tower as shown

Note

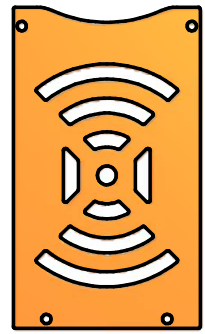
Note ENSURE ALL INSTALLATION AIDS ARE REMOVED BEFORE FIRST USE



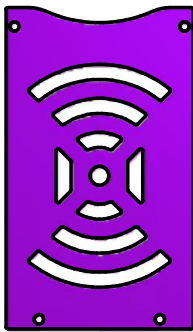
6400-083 = 3755-665
Diamond Barrier -
Orange/Black



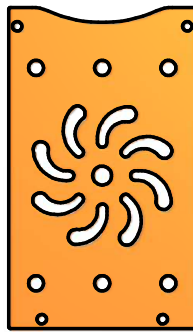
6400-084 = 3755-676
Diamond Barrier -
Purple/Black



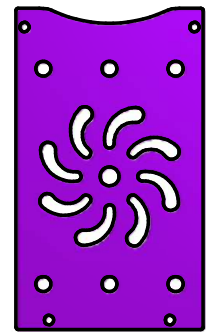
6400-085 = 3755-655
Echo Barrier -
Orange/Black



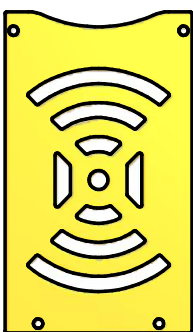
6400-086 = 3755-653
Echo Barrier -
Purple/Black



6400-087 = 3755-654
Swirl Barrier -
Orange/Black



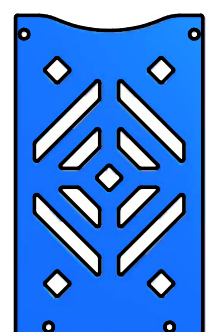
6400-088 = 3755-656
Swirl Barrier -
Purple/Black



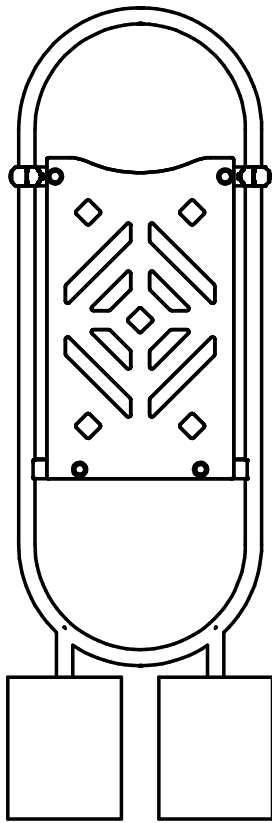
6400-123 = 3755-667
Echo Barrier -
Yellow/Black



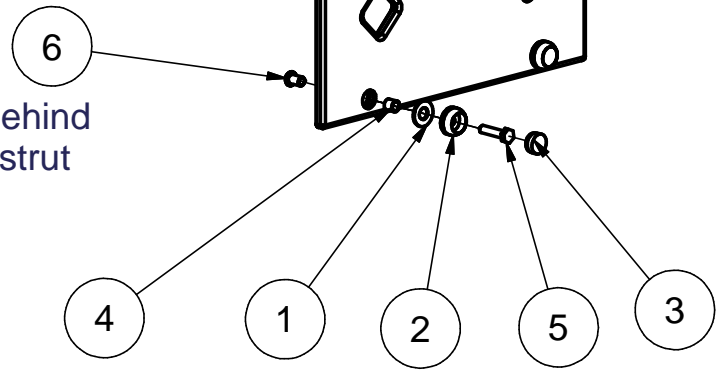
6400-124 = 3755-675
Wide Echo Barrier -
Yellow/Black



6400-133 = 3755-666
Diamond Barrier -
Blue/Black



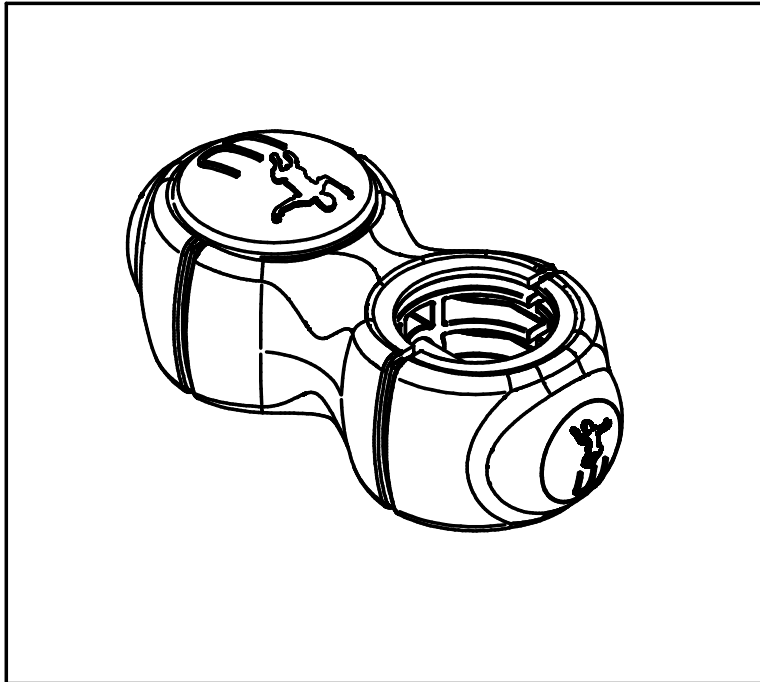
Fitted from behind tower frame strut




PARTS LIST

ITEM	QTY	PART NUMBER	DESCRIPTION
1	2	2900-041	FIXING WASHER
2	2	2611-031_Cup	Black Poepplemann Cup
3	2	2611-031_Cap	Black Poepplemann Cap
4	2	2472-009	FIXING SPACER (15 panel)
5	2	2185-037	M10 x 45 Hex Head Bolt
6	2	2177-002	M10 Safety Fastener

COMPILED AB	REV	0	1	2						
	ECN	1548	1649	1677						
DATE: 25/04/08	SIG.	AB	DB	DB						
	DATE:	25/04/08	27/02/12	29/04/13						



<h1>Mystical World</h1>	
<h2>Accessory Clamps</h2>	
PROD. CODE	5400-001 to -017
SIZE	
AGE RANGE	N/A
F/ FALL HEIGHT	N/A
HEAVIEST PART	
TOTAL WEIGHT	
 WICKSTEED playscapes	

SPECIFICATION

Clamp parts are made from ??

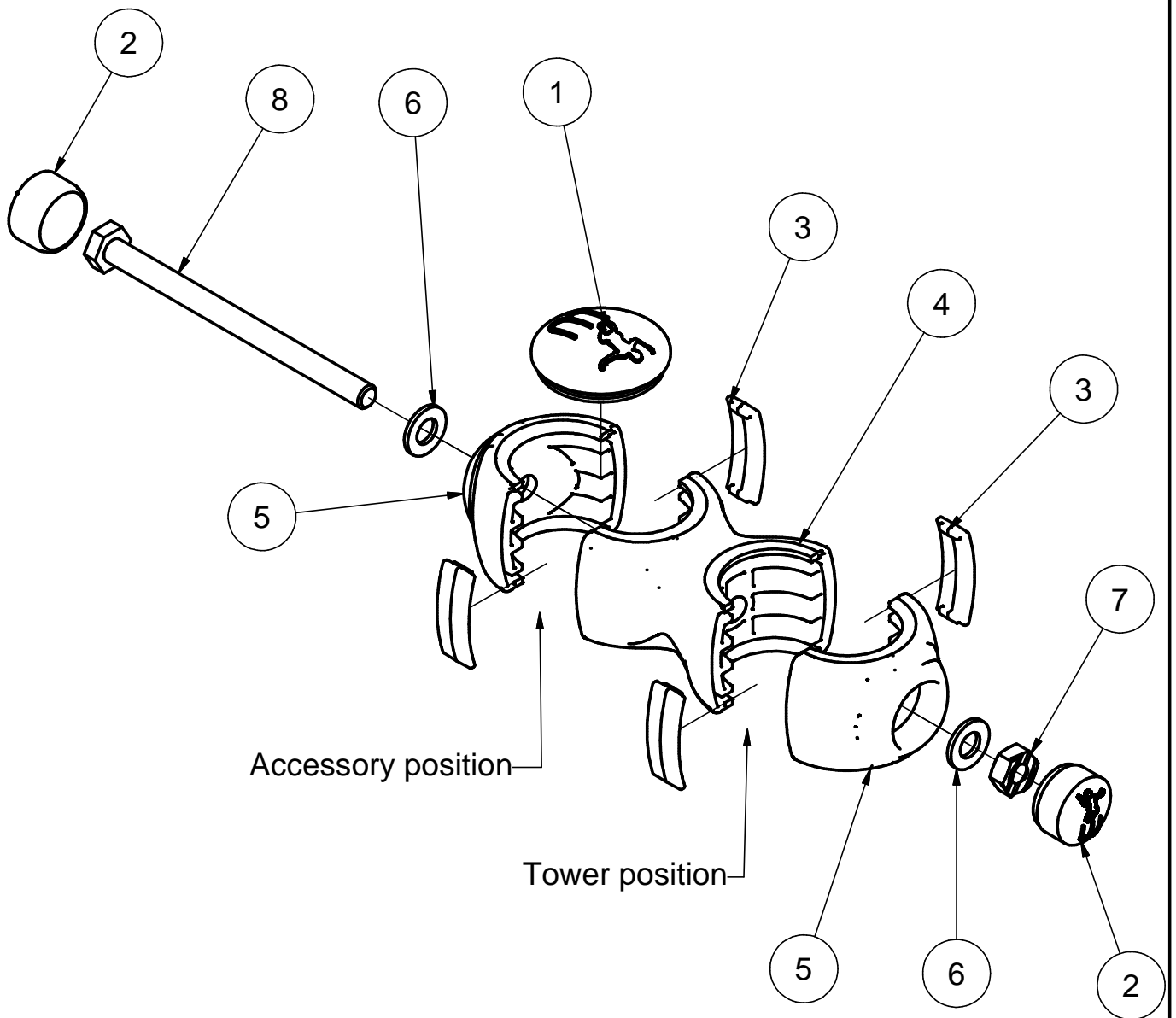
Standard fixings are plated and made to one of the following standards BS 3692 (1967) BS 4190 (1967)

INSTALLATION INSTRUCTIONS

- 1 Read instructions thoroughly before fitting clamp
- 2 Fit clamp assemblies together as shown
- 3 Ensure gaskets are fitted. This reduces gap between clamp parts
- 4 Ensure logos on fixing caps are correctly orientated (i.e. vertically) and on clamp caps is aligned with accessory
- 5 Ensure bolts are tight (?? Nm torque)

Note

Note



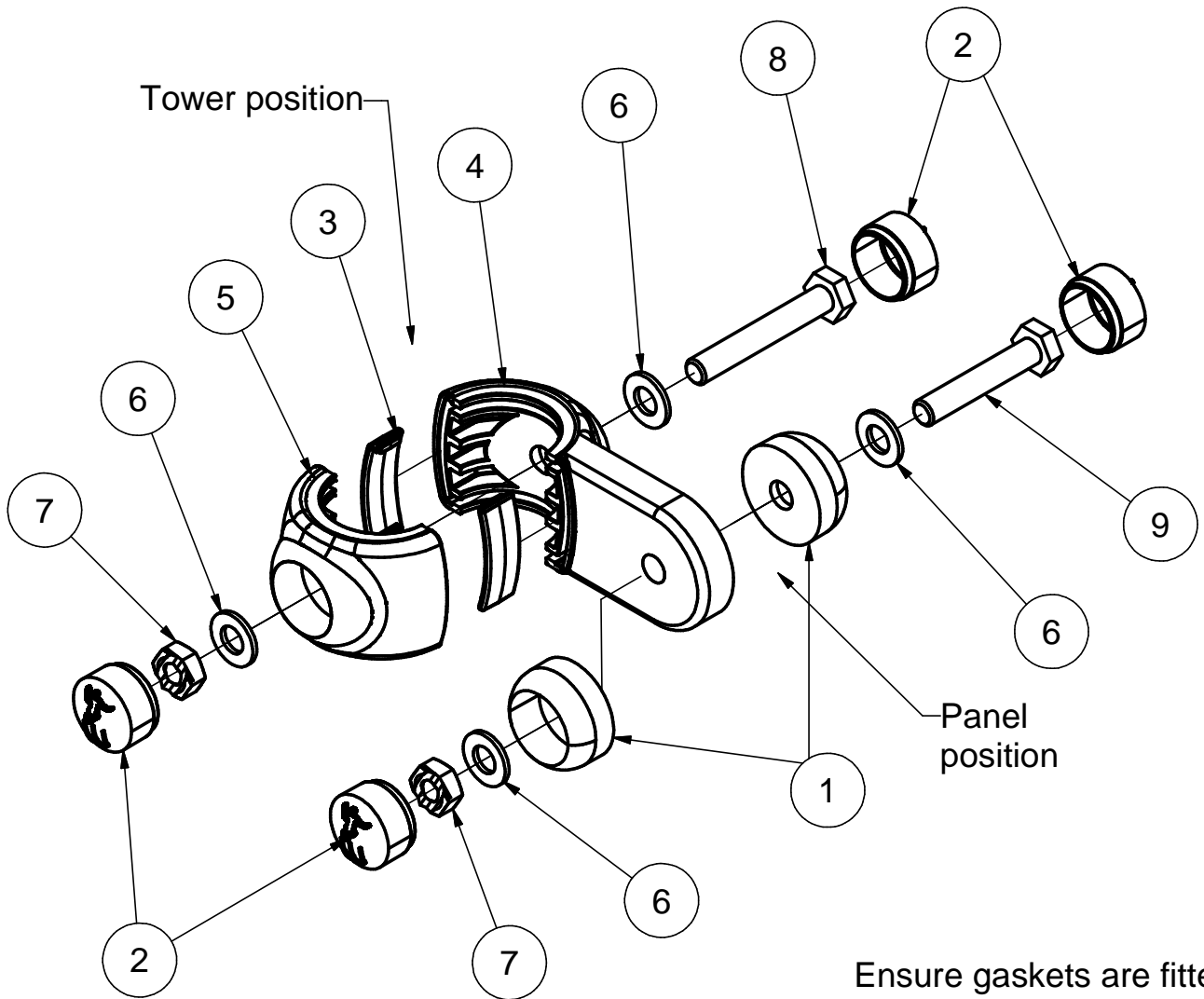
Ensure gaskets are fitted

Ensure logos on caps are correctly orientated

5400-001 Accessory Clamp

PARTS LIST

ITEM	QTY	PART NUMBER	DESCRIPTION
1	1	3730-109	CLAMP CAP
2	2	3730-107	FIXING CAP
3	4	3730-106	GASKET
4	1	3730-102	MIDDLE CLAMP
5	2	3730-101	END CLAMP
6	2	2215-508	M10 Washer
7	1	2191-010	M10 Binx Nut
8	1	2185-049	M10x140 Hex Head Bolt



5400-002
Square Panel Clamp

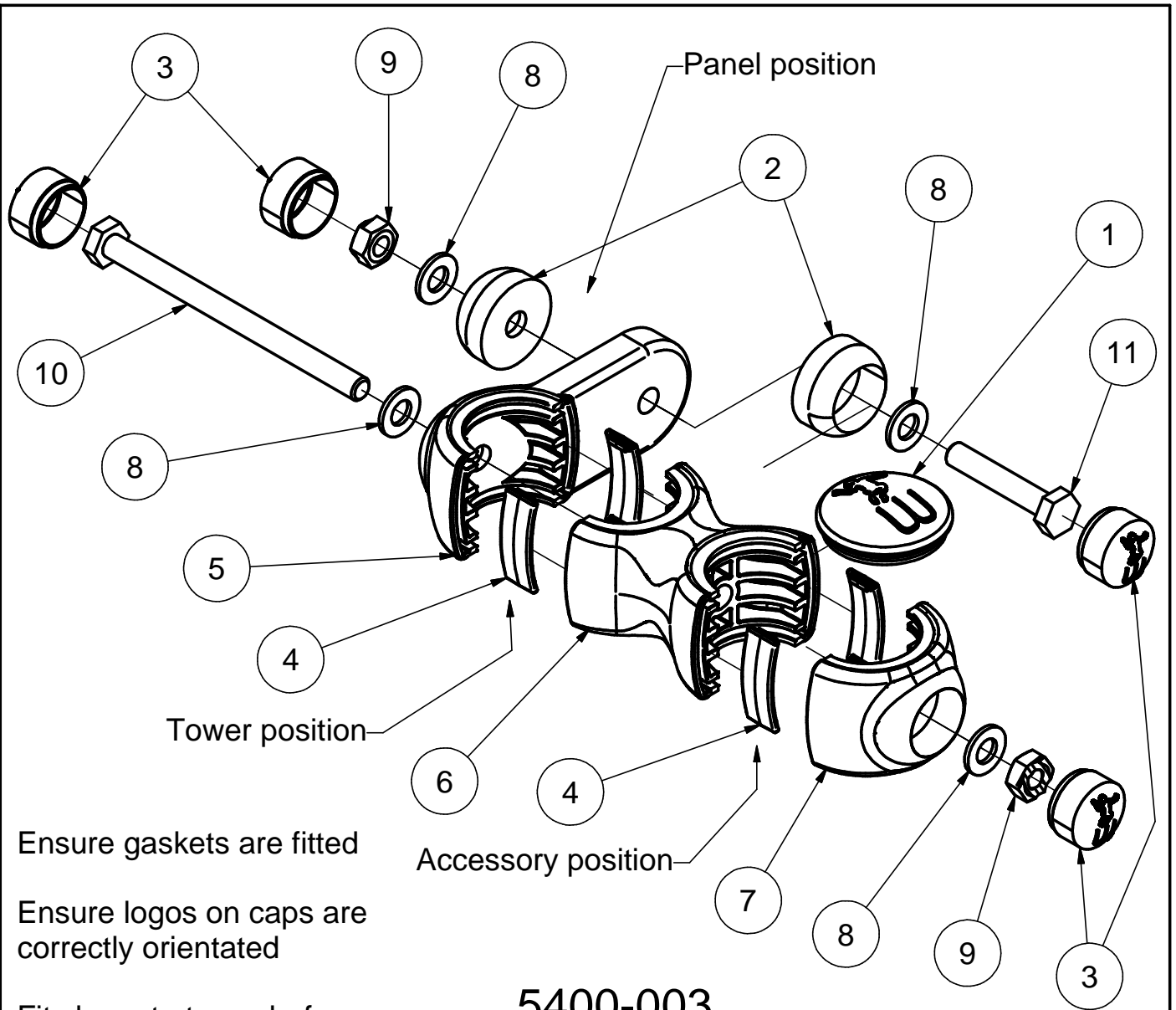
Ensure gaskets are fitted

Ensure logos on caps are correctly orientated

Fit clamp to tower before fitting panel

PARTS LIST

ITEM	QTY	PART NUMBER	DESCRIPTION
1	2	3730-108	FIXING CUP
2	4	3730-107	FIXING CAP
3	2	3730-106	GASKET
4	1	3730-103	FLAT CLAMP
5	1	3730-101	END CLAMP
6	4	2215-508	M10 Washer
7	2	2191-010	M10 Binx Nut
8	1	2185-041	M10 x 65 Hex Head Bolt
9	1	2185-039	M10 x 55 Hex Head Bolt



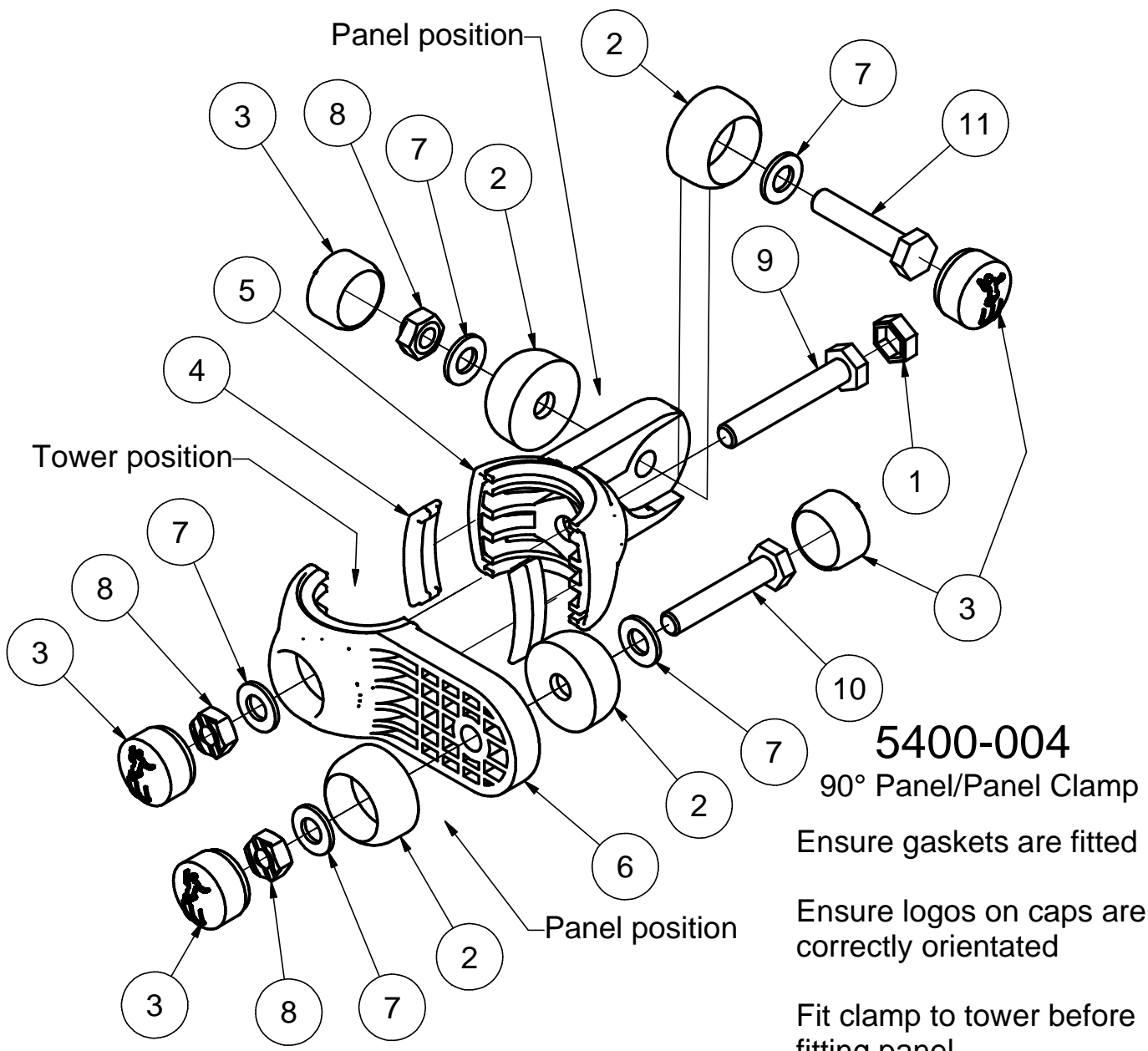
Ensure gaskets are fitted

Ensure logos on caps are correctly orientated

Fit clamp to tower before fitting panel

5400-003
Square Panel/Accessory Clamp

PARTS LIST			
ITEM	QTY	PART NUMBER	DESCRIPTION
1	1	3730-109	CLAMP CAP
2	2	3730-108	FIXING CUP
3	4	3730-107	FIXING CAP
4	4	3730-106	GASKET
5	1	3730-103	FLAT CLAMP
6	1	3730-102	MIDDLE CLAMP
7	1	3730-101	END CLAMP
8	4	2215-508	M10 Washer
9	2	2191-010	M10 Binx Nut
10	1	2185-049	M10x140 Hex Head Bolt
11	1	2185-039	M10 x 55 Hex Head Bolt



5400-004

90° Panel/Panel Clamp

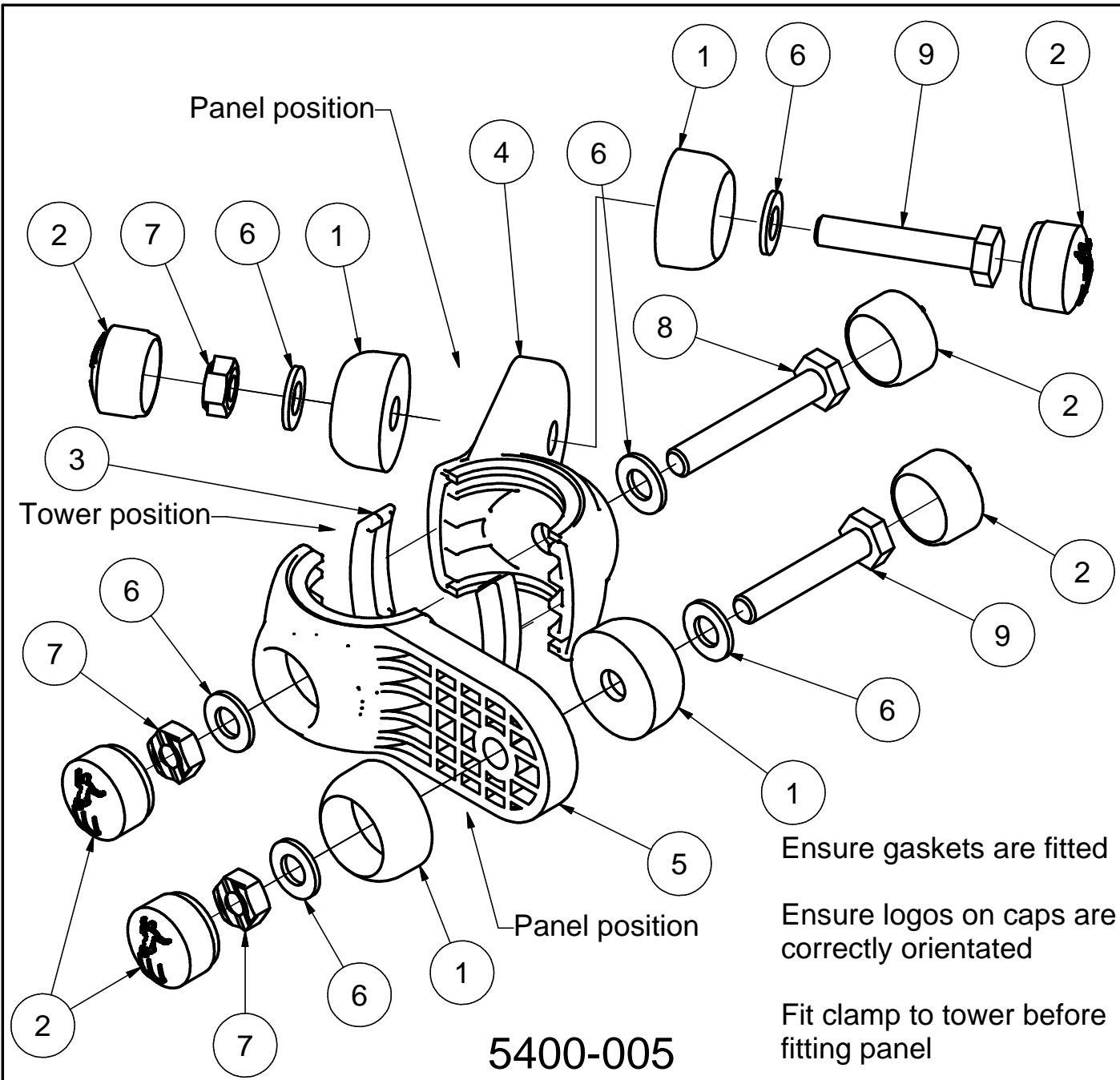
Ensure gaskets are fitted

Ensure logos on caps are correctly orientated

Fit clamp to tower before fitting panel

PARTS LIST

ITEM	QTY	PART NUMBER	DESCRIPTION
1	1	3730-110	HEX FIXING CAP
2	4	3730-108	FIXING CUP
3	5	3730-107	FIXING CAP
4	2	3730-106	GASKET
5	1	3730-104	VERTICAL CLAMP
6	1	3730-103	FLAT CLAMP
7	5	2215-508	M10 Washer
8	3	2191-010	M10 Binx Nut
9	1	2185-041	M10 x 65 Hex Head Bolt
10	1	2185-039	M10 x 55 Hex Head Bolt
11	1	2185-038	M10 x 50 Hex Head Bolt



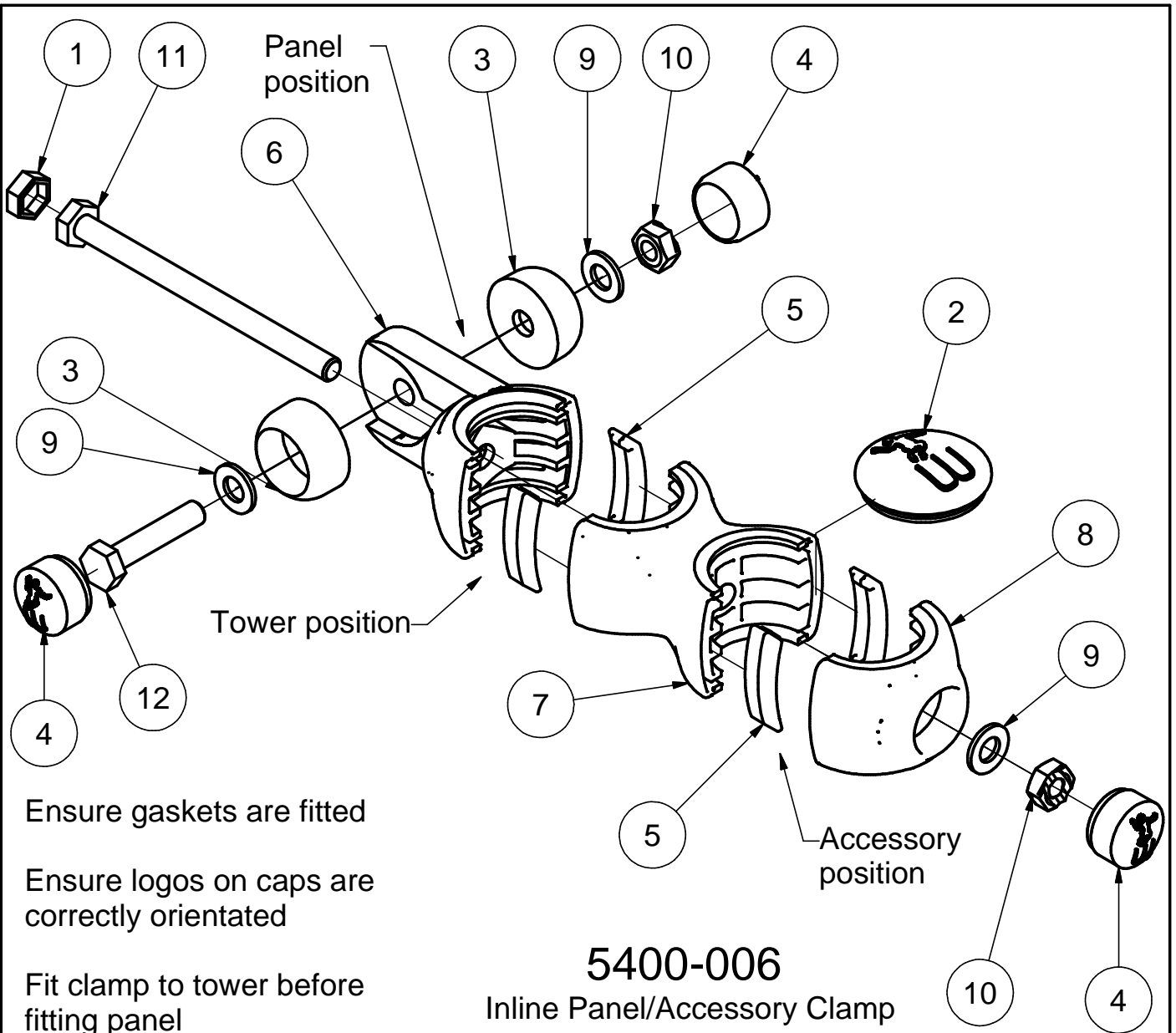
Ensure gaskets are fitted

Ensure logos on caps are correctly orientated

Fit clamp to tower before fitting panel

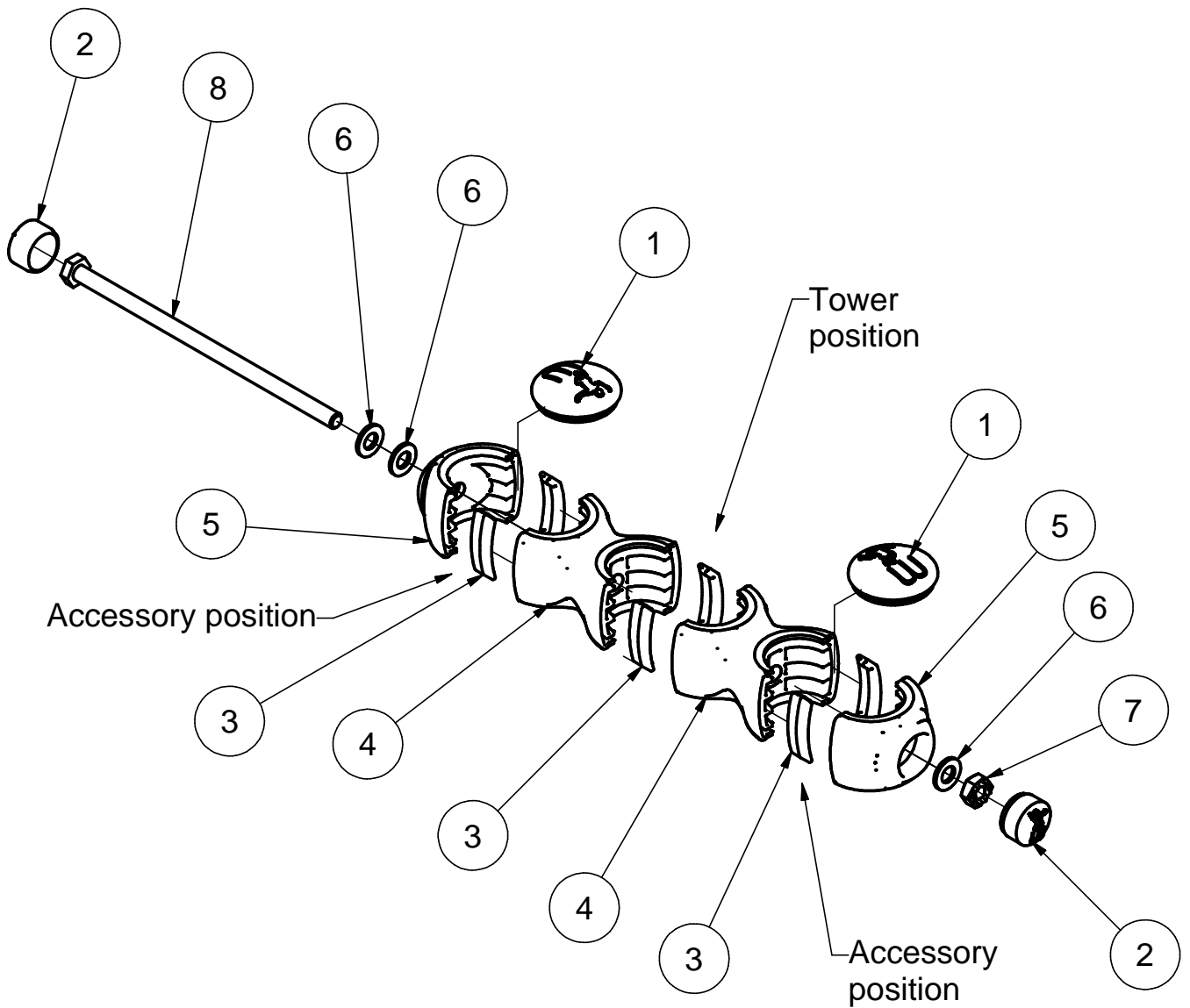
5400-005
60° Panel/Panel Clamp

PARTS LIST			
ITEM	QTY	PART NUMBER	DESCRIPTION
1	4	3730-108	FIXING CUP
2	6	3730-107	FIXING CAP
3	2	3730-106	GASKET
4	1	3730-105	ANGLE CLAMP
5	1	3730-103	FLAT CLAMP
6	6	2215-508	M10 Washer
7	3	2191-010	M10 Binx Nut
8	1	2185-041	M10 x 65 Hex Head Bolt
9	2	2185-039	M10 x 55 Hex Head Bolt



PARTS LIST

ITEM	QTY	PART NUMBER	DESCRIPTION
1	1	3730-110	HEX FIXING CAP
2	1	3730-109	CLAMP CAP
3	2	3730-108	FIXING CUP
4	3	3730-107	FIXING CAP
5	4	3730-106	GASKET
6	1	3730-104	VERTICAL CLAMP
7	1	3730-102	MIDDLE CLAMP
8	1	3730-101	END CLAMP
9	3	2215-508	M10 Washer
10	2	2191-010	M10 Binx Nut
11	1	2185-049	M10x140 Hex Head Bolt
12	1	2185-038	M10 x 50 Hex Head Bolt



Ensure gaskets are fitted

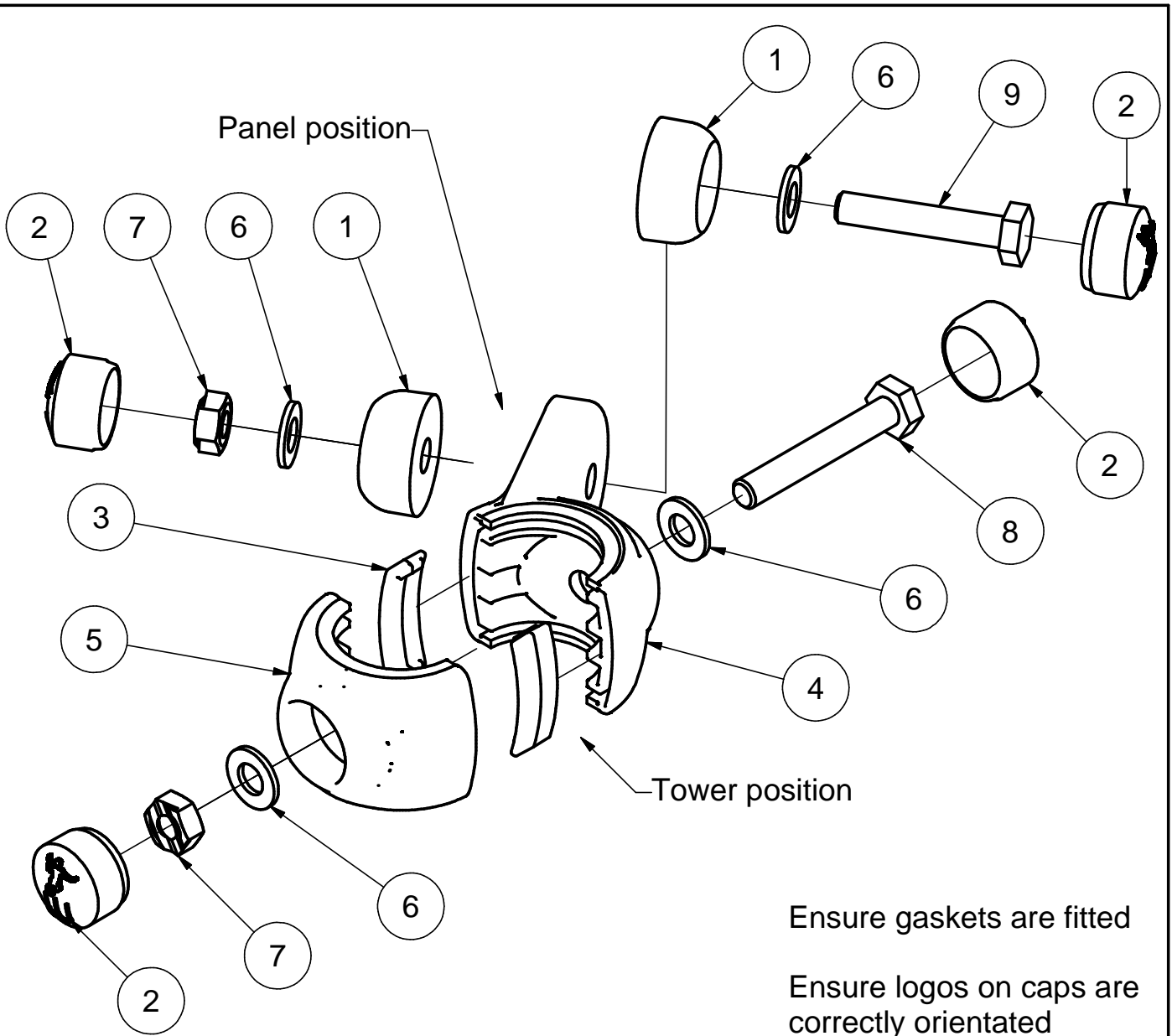
Ensure logos on caps are correctly orientated

5400-007

Inline Double Accessory Clamp

PARTS LIST

ITEM	QTY	PART NUMBER	DESCRIPTION
1	2	3730-109	CLAMP CAP
2	2	3730-107	FIXING CAP
3	6	3730-106	GASKET
4	2	3730-102	MIDDLE CLAMP
5	2	3730-101	END CLAMP
6	3	2215-508	M10 Washer
7	1	2191-010	M10 Binx Nut
8	1	2185-055	M10 x 220 Hex Head Bolt



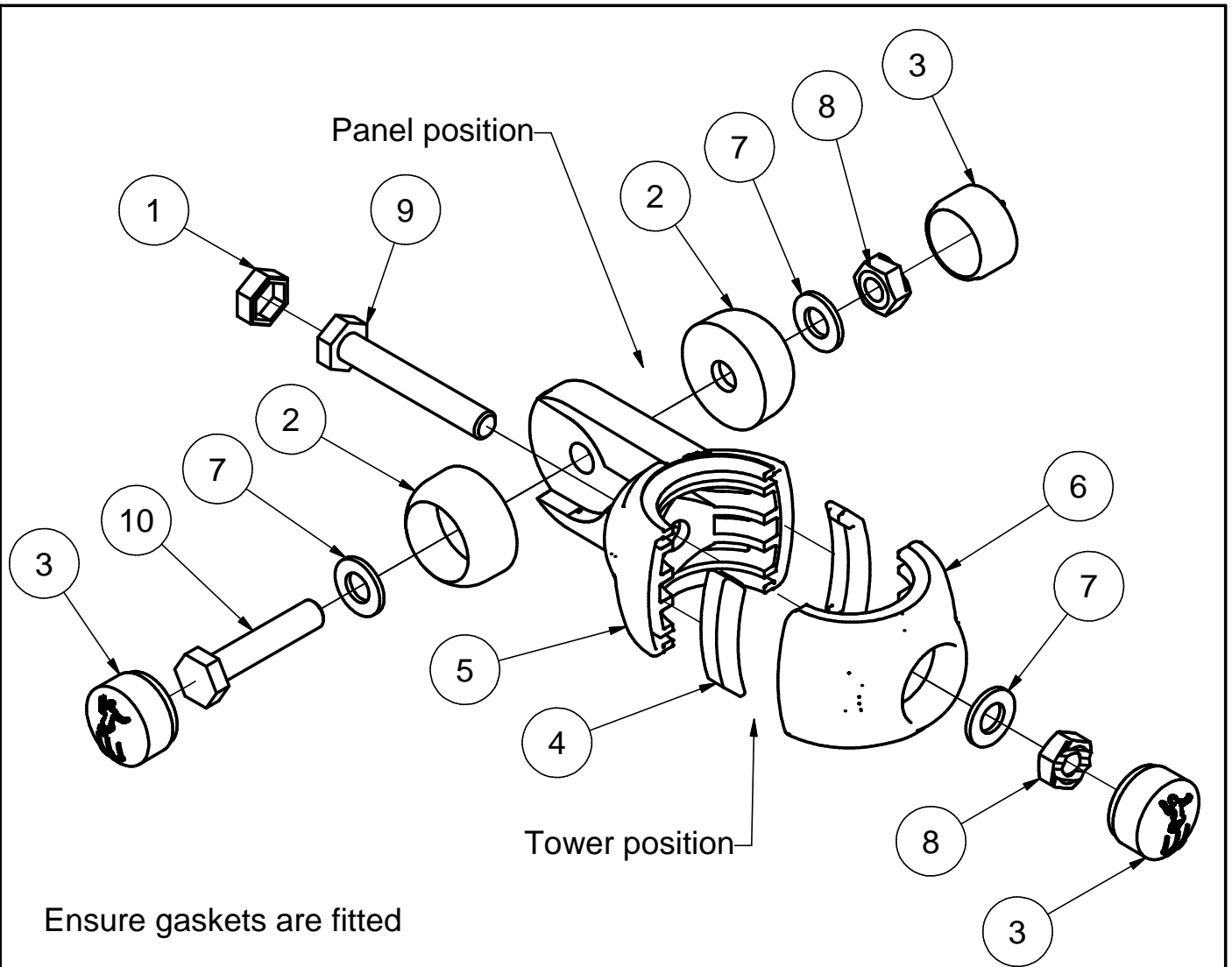
Ensure gaskets are fitted

Ensure logos on caps are correctly orientated

Fit clamp to tower before fitting panel

5400-008
60° Panel Clamp

PARTS LIST			
ITEM	QTY	PART NUMBER	DESCRIPTION
1	2	3730-108	FIXING CUP
2	4	3730-107	FIXING CAP
3	2	3730-106	GASKET
4	1	3730-105	ANGLE CLAMP
5	1	3730-101	END CLAMP
6	4	2215-508	M10 Washer
7	2	2191-010	M10 Binx Nut
8	1	2185-041	M10 x 65 Hex Head Bolt
9	1	2185-039	M10 x 55 Hex Head Bolt



Ensure gaskets are fitted

Ensure logos on caps are correctly orientated

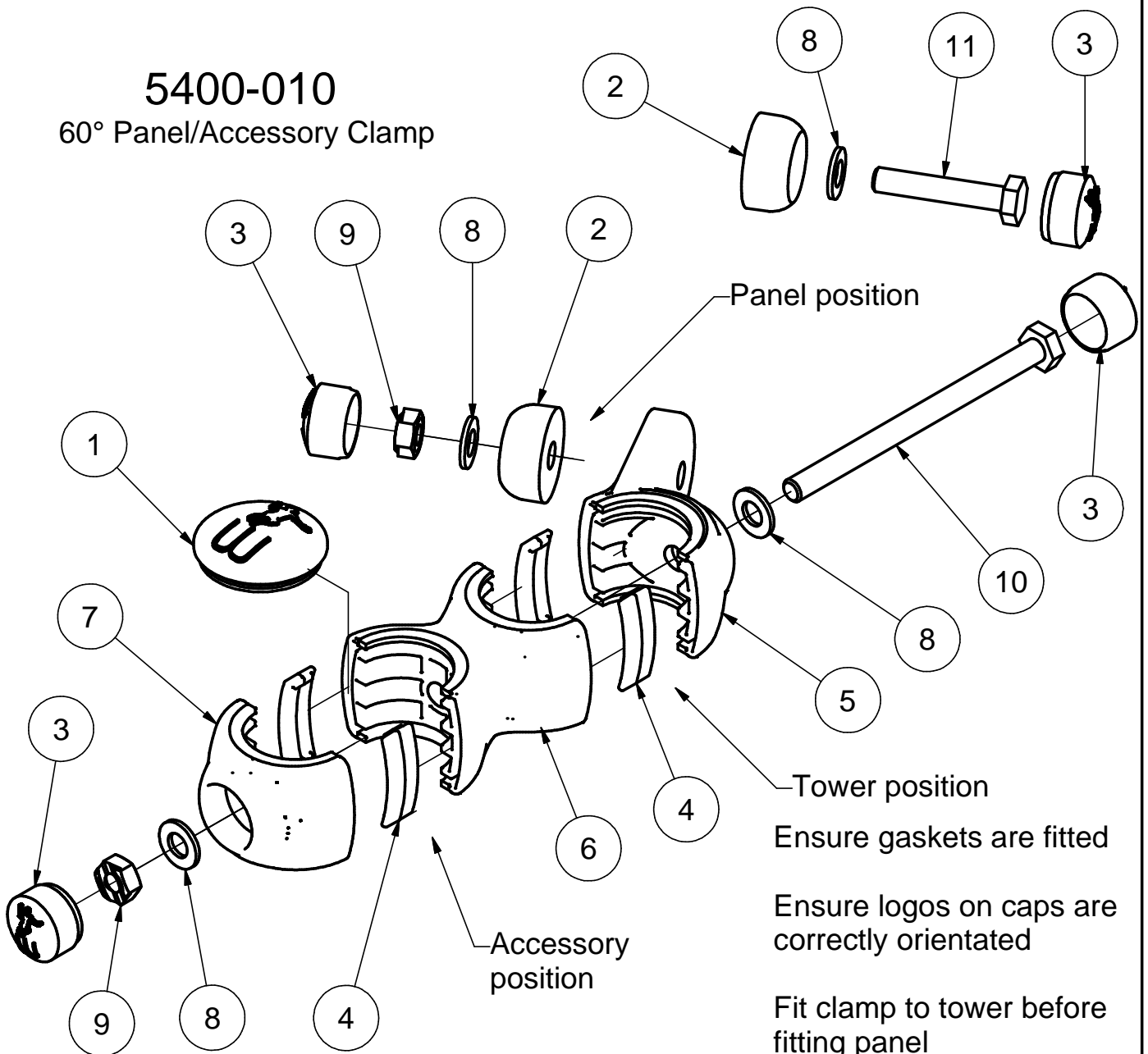
Fit clamp to tower before fitting panel

5400-009 90° Panel Clamp

PARTS LIST			
ITEM	QTY	PART NUMBER	DESCRIPTION
1	1	3730-110	HEX FIXING CAP
2	2	3730-108	FIXING CUP
3	3	3730-107	FIXING CAP
4	2	3730-106	GASKET
5	1	3730-104	VERTICAL CLAMP
6	1	3730-101	END CLAMP
7	3	2215-508	M10 Washer
8	2	2191-010	M10 Binx Nut
9	1	2185-041	M10 x 65 Hex Head Bolt
10	1	2185-038	M10 x 50 Hex Head Bolt

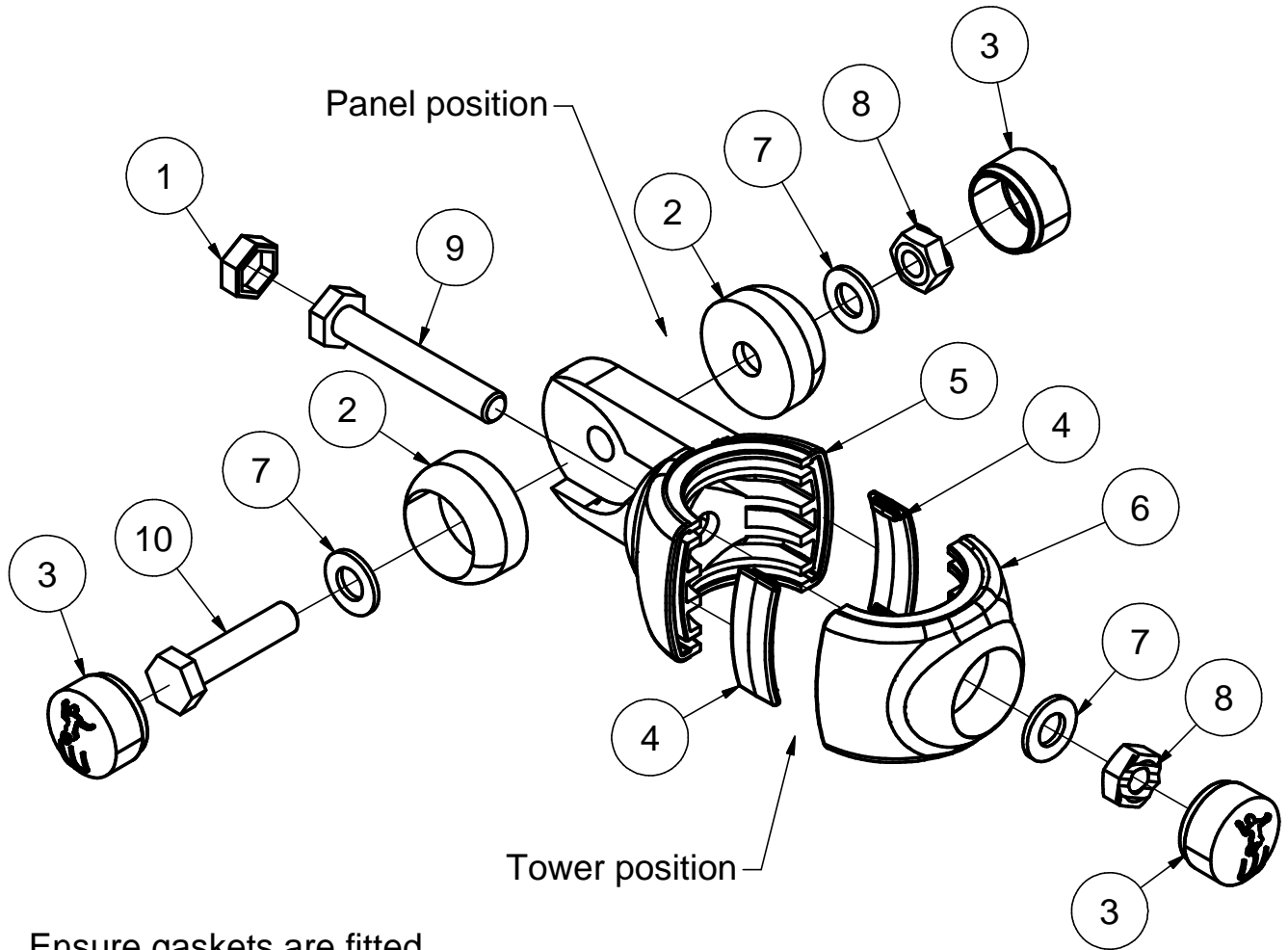
5400-010

60° Panel/Accessory Clamp



PARTS LIST

ITEM	QTY	PART NUMBER	DESCRIPTION
1	1	3730-109	CLAMP CAP
2	2	3730-108	FIXING CUP
3	4	3730-107	FIXING CAP
4	4	3730-106	GASKET
5	1	3730-105	ANGLE CLAMP
6	1	3730-102	MIDDLE CLAMP
7	1	3730-101	END CLAMP
8	4	2215-508	M10 Washer
9	2	2191-010	M10 Binx Nut
10	1	2185-049	M10x140 Hex Head Bolt
11	1	2185-039	M10 x 55 Hex Head Bolt



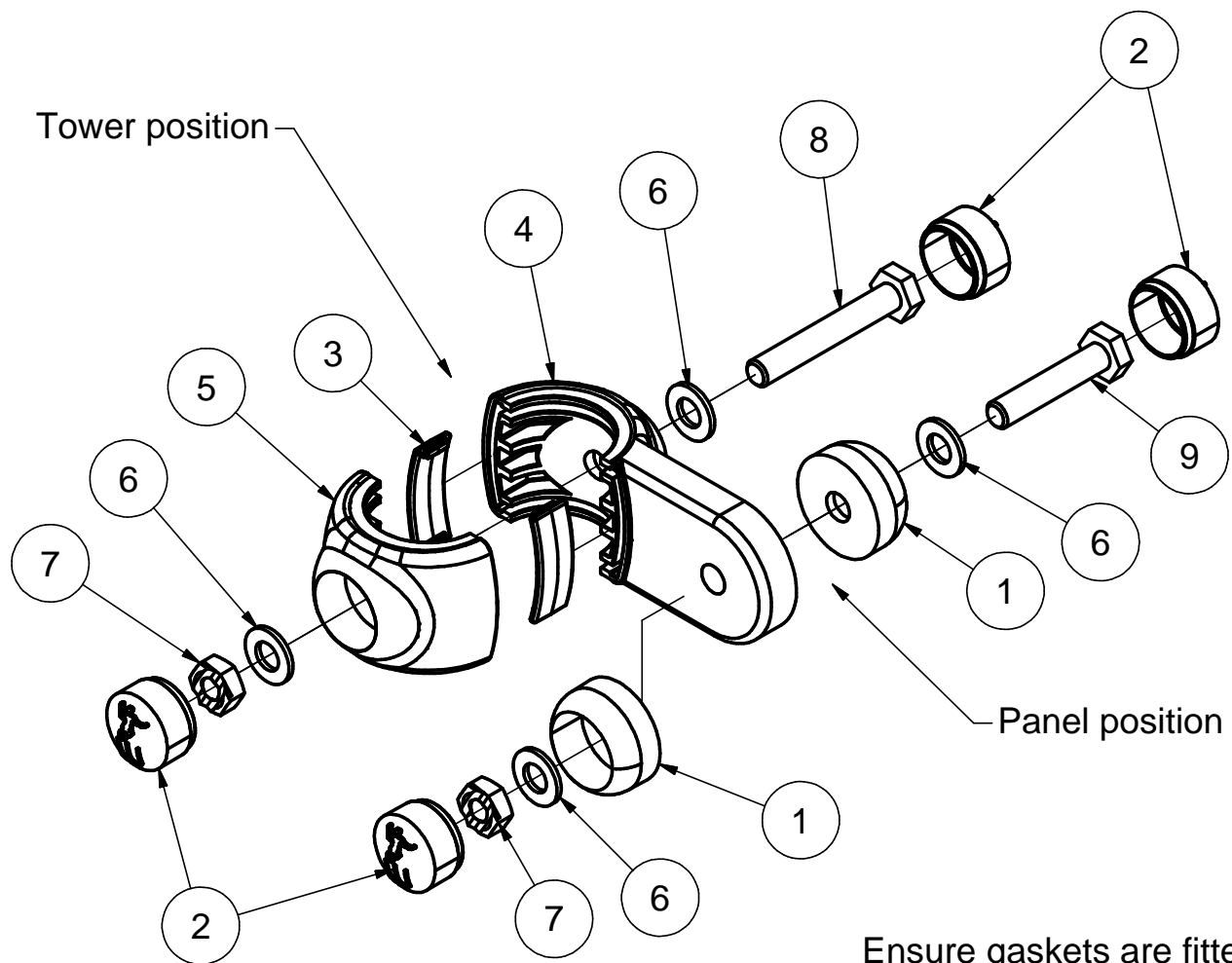
Ensure gaskets are fitted

Ensure logos on caps are correctly orientated

Fit clamp to tower before fitting panel

5400-011 90° Panel Clamp

Parts List			
ITEM	QTY	PART NUMBER	DESCRIPTION
1	1	3730-110	HEX FIXING CAP
2	2	3730-108	FIXING CUP
3	3	3730-107	FIXING CAP
4	2	3730-106	GASKET
5	1	3730-104	VERTICAL CLAMP
6	1	3730-101	END CLAMP
7	3	2215-508	M10 Washer
8	2	2191-010	M10 Binx Nut
9	1	2185-041	M10 x 65 Hex Head Bolt
10	1	2185-037	M10 x 45 Hex Head Bolt



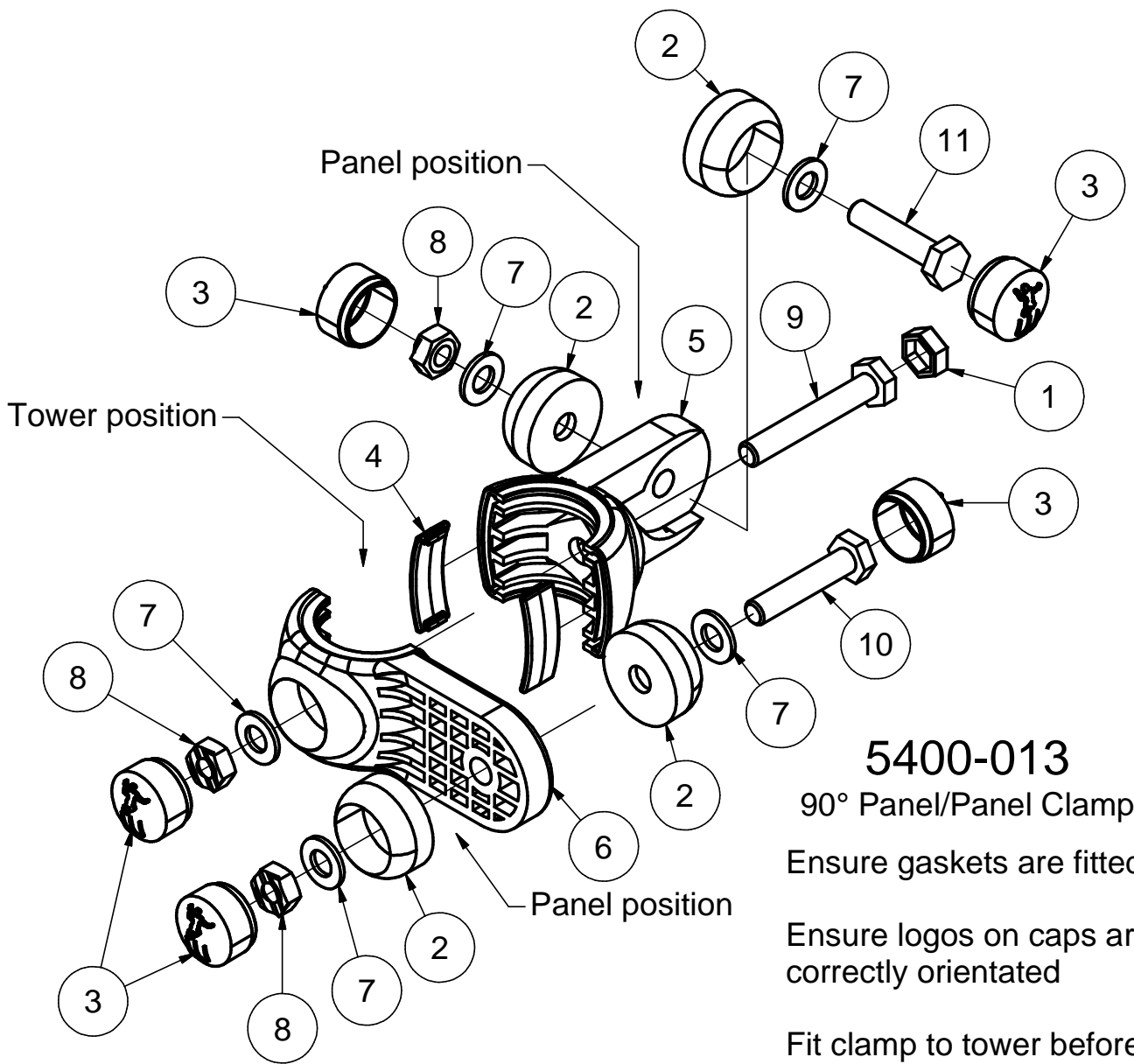
Ensure gaskets are fitted

Ensure logos on caps are correctly orientated

Fit clamp to tower before fitting panel

5400-012 Square Panel Clamp

Parts List			
ITEM	QTY	PART NUMBER	DESCRIPTION
1	2	3730-108	FIXING CUP
2	4	3730-107	FIXING CAP
3	2	3730-106	GASKET
4	1	3730-103	FLAT CLAMP
5	1	3730-101	END CLAMP
6	4	2215-508	M10 Washer
7	2	2191-010	M10 Binx Nut
8	1	2185-041	M10 x 65 Hex Head Bolt
9	1	2185-038	M10 x 50 Hex Head Bolt



5400-013

90° Panel/Panel Clamp

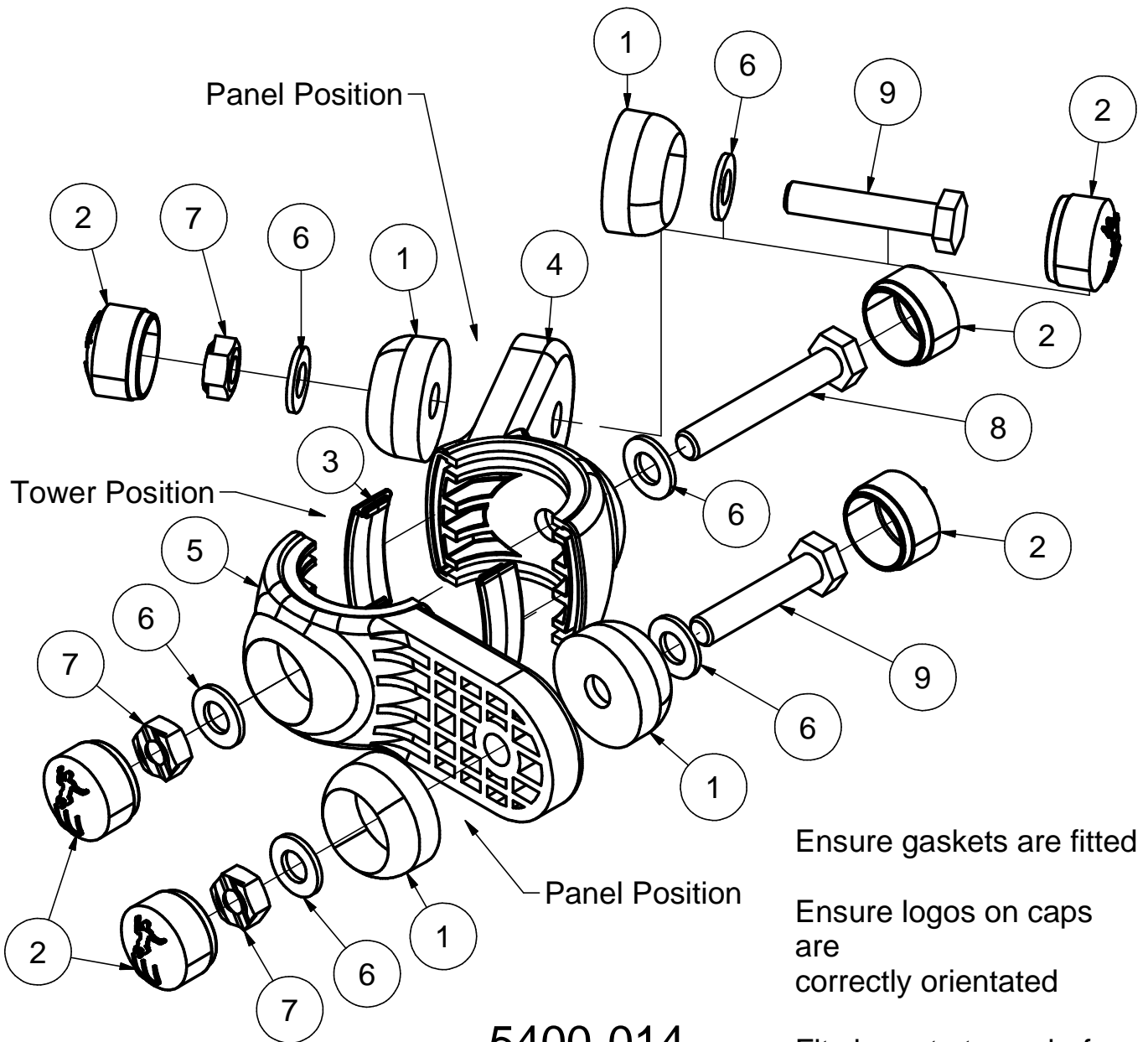
Ensure gaskets are fitted

Ensure logos on caps are correctly orientated

Fit clamp to tower before fitting panel

Parts List

ITEM	QTY	PART NUMBER	DESCRIPTION
1	1	3730-110	HEX FIXING CAP
2	4	3730-108	FIXING CUP
3	5	3730-107	FIXING CAP
4	2	3730-106	GASKET
5	1	3730-104	VERTICAL CLAMP
6	1	3730-103	FLAT CLAMP
7	5	2215-508	M10 Washer
8	3	2191-010	M10 Binx Nut
9	1	2185-041	M10 x 65 Hex Head Bolt
10	1	2185-038	M10 x 50 Hex Head Bolt
11	1	2185-037	M10 x 45 Hex Head Bolt



Ensure gaskets are fitted

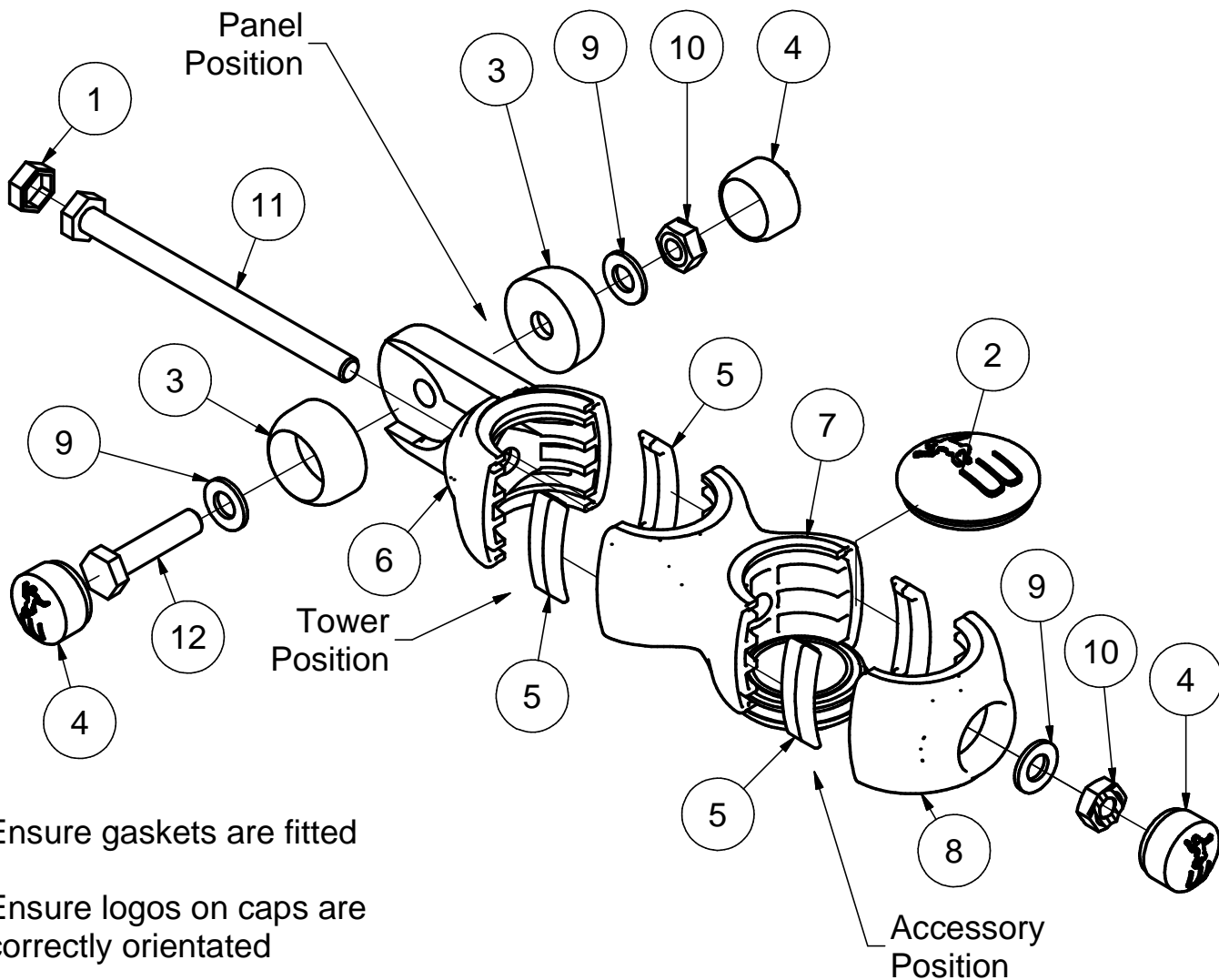
Ensure logos on caps are correctly orientated

Fit clamp to tower before fitting panel

5400-014 60° Panel/Panel Clamp

Parts List

ITEM	QTY	PART NUMBER	DESCRIPTION
1	4	3730-108	FIXING CUP
2	6	3730-107	FIXING CAP
3	2	3730-106	GASKET
4	1	3730-105	ANGLE CLAMP
5	1	3730-103	FLAT CLAMP
6	6	2215-508	M10 Washer
7	3	2191-010	M10 Binx Nut
8	1	2185-041	M10 x 65 Hex Head Bolt
9	2	2185-038	M10 x 50 Hex Head Bolt



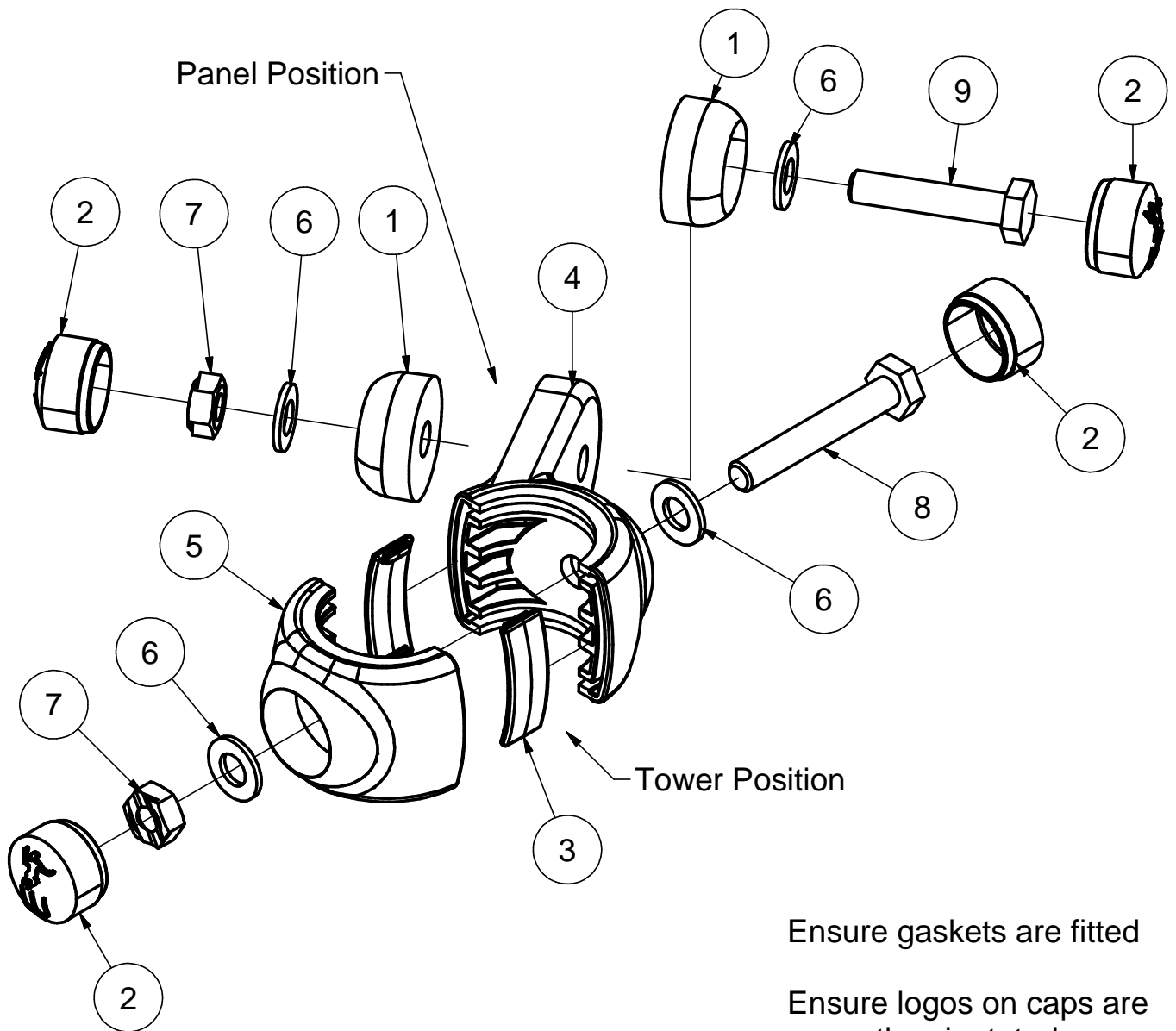
Ensure gaskets are fitted

Ensure logos on caps are correctly orientated

Fit clamp to tower before fitting panel

5400-015 Inline Panel/Accessory Clamp

Parts List			
ITEM	QTY	PART NUMBER	DESCRIPTION
1	1	3730-110	HEX FIXING CAP
2	1	3730-109	CLAMP CAP
3	2	3730-108	FIXING CUP
4	3	3730-107	FIXING CAP
5	4	3730-106	GASKET
6	1	3730-104	VERTICAL CLAMP
7	1	3730-102	MIDDLE CLAMP
8	1	3730-101	END CLAMP
9	3	2215-508	M10 Washer
10	2	2191-010	M10 Binx Nut
11	1	2185-049	M10x140 Hex Head Bolt
12	1	2185-037	M10 x 45 Hex Head Bolt



Ensure gaskets are fitted

Ensure logos on caps are correctly orientated

Fit clamp to tower before fitting panel

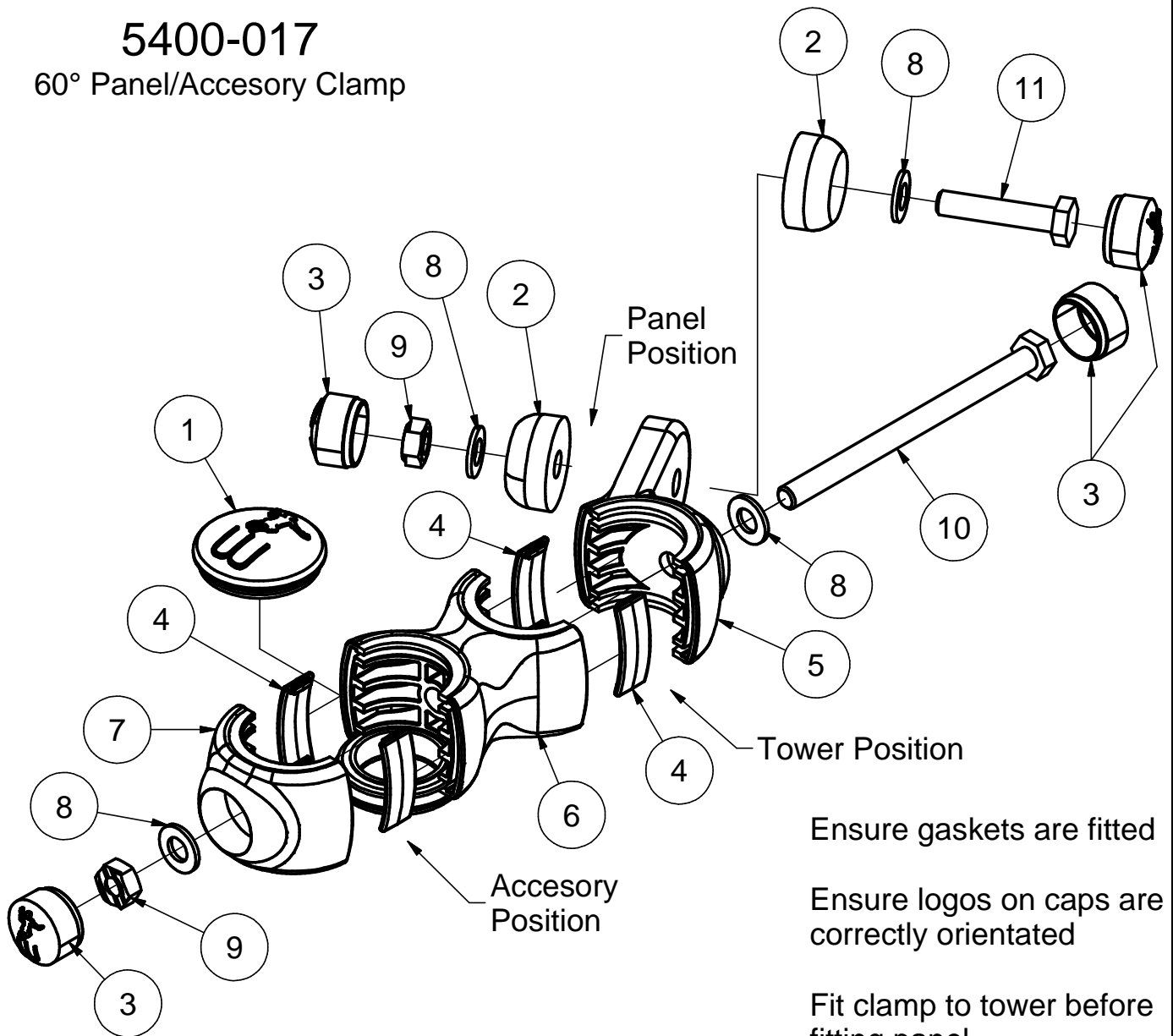
5400-016 60° Panel Clamp

Parts List

ITEM	QTY	PART NUMBER	DESCRIPTION
1	2	3730-108	FIXING CUP
2	4	3730-107	FIXING CAP
3	2	3730-106	GASKET
4	1	3730-105	ANGLE CLAMP
5	1	3730-101	END CLAMP
6	4	2215-508	M10 Washer
7	2	2191-010	M10 Binx Nut
8	1	2185-041	M10 x 65 Hex Head Bolt
9	1	2185-038	M10 x 50 Hex Head Bolt

5400-017

60° Panel/Accessory Clamp



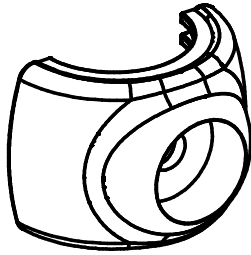
Ensure gaskets are fitted

Ensure logos on caps are correctly orientated

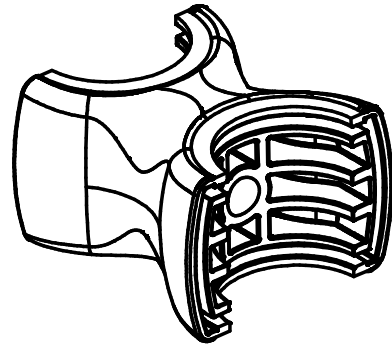
Fit clamp to tower before fitting panel

Parts List

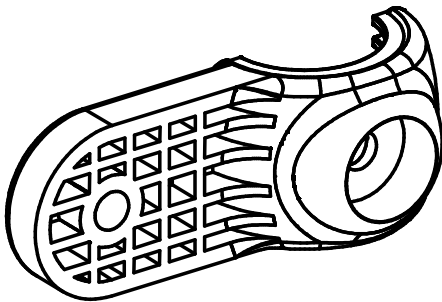
ITEM	QTY	PART NUMBER	DESCRIPTION
1	1	3730-109	CLAMP CAP
2	2	3730-108	FIXING CUP
3	4	3730-107	FIXING CAP
4	4	3730-106	GASKET
5	1	3730-105	ANGLE CLAMP
6	1	3730-102	MIDDLE CLAMP
7	1	3730-101	END CLAMP
8	4	2215-508	M10 Washer
9	2	2191-010	M10 Binx Nut
10	1	2185-049	M10x140 Hex Head Bolt
11	1	2185-038	M10 x 50 Hex Head Bolt



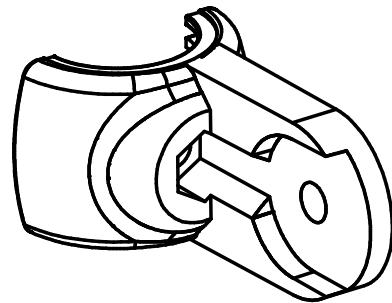
END CLAMP
3730-101



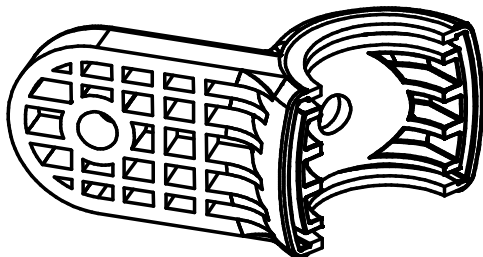
MIDDLE CLAMP
3730-102



FLAT CLAMP
3730-103



VERTICAL CLAMP
3730-104



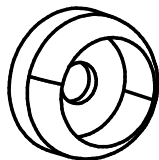
ANGLE CLAMP
3730-105



GASKET
3730-106



FIXING CAP
3730-107



FIXING CUP
3730-108



CLAMP CAP
3730-109



HEX FIXING CAP
3730-110

COMPILED AB	REV	0	1						
	ECN	1548	1677						
DATE: 30/07/08	SIG.	AB	DB						
	DATE:	30/07/08	03/06/13						

DESPATCH LIST

Sheet 1 of 1

Product: 640-UNIC - Unicorns Lair Date of Issue: 01/03/12

Order No: Issue: A

Item	Unit Qty	Description	Part No.	Checked
1	1	Fortune Tellers Window Panel	3755-684	
2	1	800 High Tower Assy	4201-605	
3	1	Celestial Roof *	3755-488	
4	1	Frame Assy (Cosmos Viewing Barrier)	4201-617	
5	1	View Barrier Panel	3755-486	
6	1	Seat Panel *	3755-494	
7	1	Wide Echo Barrier Panel	3755-675	
8	1	Welded High Pole (High Firemans Pole)	4201-650	
9	2	Welded Chute (Tower Tunnel)	4201-608	
10	2	Tunnel End Panel	3755-958	
11	1	Rising tapered Bridge Assy (Galaxy Bridge)	4202-415	
12	2	Plastic log 250mm lg *	3730-134	
13	2	Plastic log 300mm lg *	3730-135	
14	2	Plastic log 350mm lg *	3730-136	
15	1	RH Infill Panel *	3755-999	
16	1	LH Infill Panel *	3755-998	
17	1	Low Welded Chute (Elfs Slide)	4201-269	
18	1	Slide Start Panel	3755-589	
19	2	Slide Ground Fixing	4201-211	
20	1	RH Chute Panel *	3755-625	
21	1	LH Chute Panel *	3755-626	
22	1	Welded Assembly (Stellar Low Spiral Riser)	4201-257	
23	3	Access Step *	3755-699	
24	1	Square Tower Leg Assy	4201-260	
Items marked * to be fitted prior to despatch				

Total No. of Items

Picked By: _____ Checked By: _____

COMPILED	REV	0	1	2	3	4	5
BY: DB	ECN No.	1649	1658	1671	1677	1699	1724
DATE: 01/03/12	DATE	01/03/2012	14/05/2012	04/01/2013	31/05/2013	14/11/2014	08/06/2015
	SIGN	DB	DB	DB	DB	DB	AB
	REV	6					
	ECN No.	minor					
	DATE	29/01/2016					
	SIGN	AB					

FIXINGS LIST

Product: 640-UNIC - Unicorns Lair Date of Issue: 01/03/12

Order No: _____ Issue: A

Item	Unit Qty	Description	Part No.	Checked
		Fortune Tellers Window		
1	2	Fixing Spacer (15 Panel)	2472-009	
2	2	Fixing Washer	2900-041	
3	2	Green PoeppeImann Cap	2611-033_Cap	
4	2	Green PoeppeImann Cup	2611-033_Cup	
5	2	M10 x 45 Hex Head Bolt	2185-037	
6	2	M10 Safety Fastener	2177-002	
		Cosmos Viewing Barrier		
7	3	Fixing Spacer (Thin Panels)	2472-007	
8	3	Fixing Washer	2900-041	
9	3	Yellow PoeppeImann Cup	2611-029_Cup	
10	3	Yellow PoeppeImann Cap	2611-029_Cap	
11	3	M10 Binx Nut	2191-010	
12	3	M10 x 40 Lg Hex Head Screw	2185-036	
13	3	M10 Protective Cap	2613-014	
14	5	M10 x 25 Lg Hex Head Screw *	2175-115	
15	5	M10 Washer *	2215-508	
16	5	M10 Fibre Washer *	2571-012	
17	5	Blanking Plug *	2611-036	
18	2	M10 x 50 Pent Button Head	2176-129	
19	2	M10 Safety Fastener	2177-002	
20	2	M10 x 50 Hex Head Bolt	2185-038	
		Items marked * to be fitted before despatch		

Total No. of Items

Picked By: _____ Checked By: _____

COMPILED	REV	0	1	2	3	4	5
BY: DB	ECN No.	1649	Minor	1671	1677	1699	1724
DATE: 01/03/12	DATE	01/03/2012	12/06/2012	04/01/2013	31/05/2013	14/11/2014	08/06/2015
	SIGN	DB	MC	DB	DB	DB	AB
	REV	6	7				
	ECN No.	minor	1773				
	DATE	29/01/2016	10/11/2017				
	SIGN	AB	AB				

FIXINGS LIST

Product: 640-UNIC - Unicorns Lair Date of Issue: 01/03/12

Order No: _____ Issue: A

Item	Unit Qty	Description	Part No.	Checked
Wide Echo Barrier				
21	2	Fixing Spacer (15 Panel)	2472-009	
22	2	Fixing Washer	2900-041	
23	2	M10 x 45 Hex Head Bolt	2185-037	
24	2	M10 Safety Fastener	2177-002	
25	2	Yellow Poepplmann Cap	2611-029_Cap	
26	2	Yellow Poepplmann Cup	2611-029_Cup	
Tower Tunnel				
27	16	M8 Washer	2215-507	
28	16	M8 x 30 Pent Button Head	2176-153	
29	16	M8 Binx Nut	2191-009	
30	18	Blue Poepplmann Cup	2611-032_Cup	
31	18	Blue Poepplmann Cap	2611-032_Cap	
32	2	M10 x 70 Hex Head Bolt	2185-042	
33	4	M10 Safety Fastener	2177-002	
34	2	M10 x 65 Hex Head Bolt	2185-041	
35	4	M10 x 40 Hex Head Bolt	2185-036	
35A	16	Fixing washer	2900-041	
Stellar Low Spiral Riser				
36	9	M8 x 25 Lg Pent C'sk Screw *	2176-227	
37	1	M10 Washer	2215-508	
38	1	M10 x 45 Pent Button Head Screw	2176-128	
Items marked * to be fitted before despatch				

Total No. of Items

Picked By: _____ Checked By: _____

COMPILED	REV	0	1	2	3	4	5
BY: DB	ECN No.	1649	Minor	1671	1677	1699	1724
DATE: 01/03/12	DATE	01/03/2012	12/06/2012	04/01/2013	31/05/2013	14/11/2014	08/06/2015
	SIGN	DB	MC	DB	DB	DB	AB
	REV	6	7				
	ECN No.	minor	1773				
	DATE	29/01/2016	10/11/2017				
	SIGN	AB	AB				

FIXINGS LIST

Product: 640-UNIC - Unicorns Lair Date of Issue: 01/03/12

Order No: _____ Issue: A

Item	Unit Qty	Description	Part No.	Checked
Galaxy Bridge				
39	20	Fixing Washer *	2900-041	
40	12	M10 safety fastener *	2177-002	
41	12	M10 x 25 pent button head screw *	2176-126	
42	8	Insert plug	2611-017	
43	16	Blue Poepplmann Cup *	2611-032_Cup	
44	16	Blue Poepplmann Cap *	2611-032_Cap	
45	8	M10 x 40 Lg Hex Head Screw *	2185-036	
46	8	M10 Binx Nut *	2191-010	
47	8	Fixing Spacer (12 Panel) *	2472-007	
48	8	M10 Washer *	2215-508	
High Square Tower With Roof				
49	4	M10 x 75 Pent Button Head *	2176-130	
50	4	32 NBT Saddle Washer *	3711-051	
51	4	Fixing Spacer (Thin Panels) *	2472-007	
52	4	Fixing Washer *	2900-041	
53	4	Yellow Poepplmann Cup *	2611-029_Cup	
54	4	Yellow Poepplmann Cap *	2611-029_Cap	
55	4	M10 Binx Nut *	2191-010	
High Firemans Pole				
56	2	M10 x 50 Pent Button Head	2176-129	
Items marked * to be fitted before despatch				

Total No. of Items

Picked By: _____ Checked By: _____

COMPILED	REV	0	1	2	3	4	5
BY: DB	ECN No.	1649	Minor	1671	1677	1699	1724
DATE: 01/03/12	DATE	01/03/2012	12/06/2012	04/01/2013	31/05/2013	14/11/2014	08/06/2015
	SIGN	DB	MC	DB	DB	DB	AB
	REV	6	7				
	ECN No.	minor	1773				
	DATE	29/01/2016	10/11/2017				
	SIGN	AB	AB				

FIXINGS LIST

Product: 640-UNIC - Unicorns Lair Date of Issue: 01/03/12

Order No: _____ Issue: A

Item	Unit Qty	Description	Part No.	Checked
		Elf's Slide		
57	4	Fixing Bracket (Red)	2900-057	
58	16	M8 Safety Fastener (8 off *)	2177-001	
59	12	M8 x 16 Pent Button Head (8 off *)	2176-151	
60	20	M8 Washer (8 off *)	2215-507	
61	4	M8 x 45 Pent Button Head	2176-155	
62	2	M10 Safety Fastener	2177-002	
63	2	Fixing Washer	2900-041	
64	2	Yellow Poeppelemann Cup	2611-029_Cup	
65	2	Yellow Poeppelemann Cap	2611-029_Cap	
66	2	M10 x 45 Hex Head Bolt	2185-037	
67	4	M10 washer	2215-508	
68	4	M8 short safety fastener	2177-004	
69	4	M8 x 25 Pent Button Head	2176-152	
70	5	Inline Panel/Accessory Clamp (15 Panel)	5400-015	
71	1	90° Panel Clamp (15 Panel)	5400-011	
72	2	60° Panel/Accessory Clamp	5400-010	
73	4	90° Panel Clamp	5400-009	
74	2	Insert Plug	2611-017	
75	2	M8 Pent Key	2372-003	
76	2	M10/M12 Pent Key	2372-008	
Items marked * to be fitted before despatch				

Total No. of Items

Picked By: _____ Checked By: _____

COMPILED	REV	0	1	2	3	4	5
BY: DB	ECN No.	1649	Minor	1671	1677	1699	1724
DATE: 01/03/12	DATE	01/03/2012	12/06/2012	04/01/2013	31/05/2013	14/11/2014	08/06/2015
	SIGN	DB	MC	DB	DB	DB	AB
	REV	6	7				
	ECN No.	minor	1773				
	DATE	29/01/2016	10/11/2017				
	SIGN	AB	AB				

