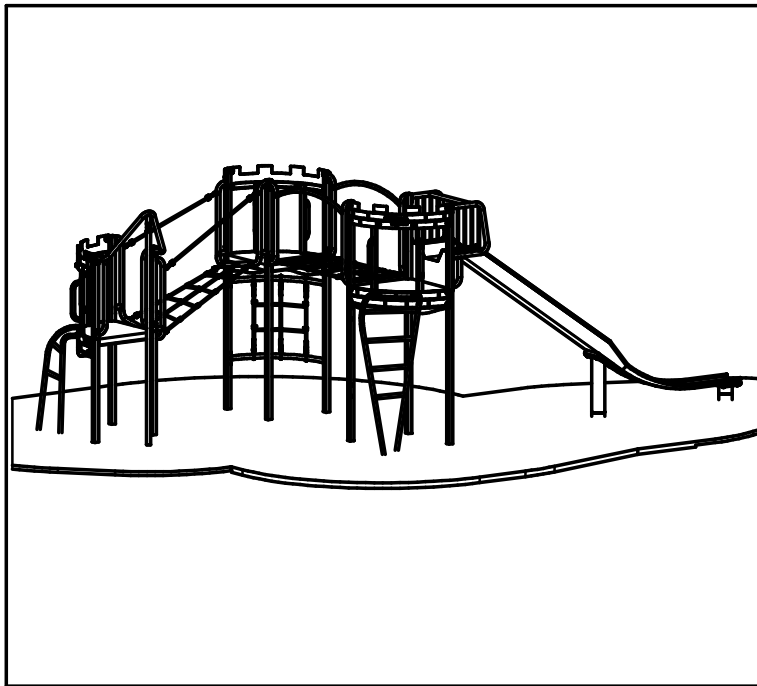



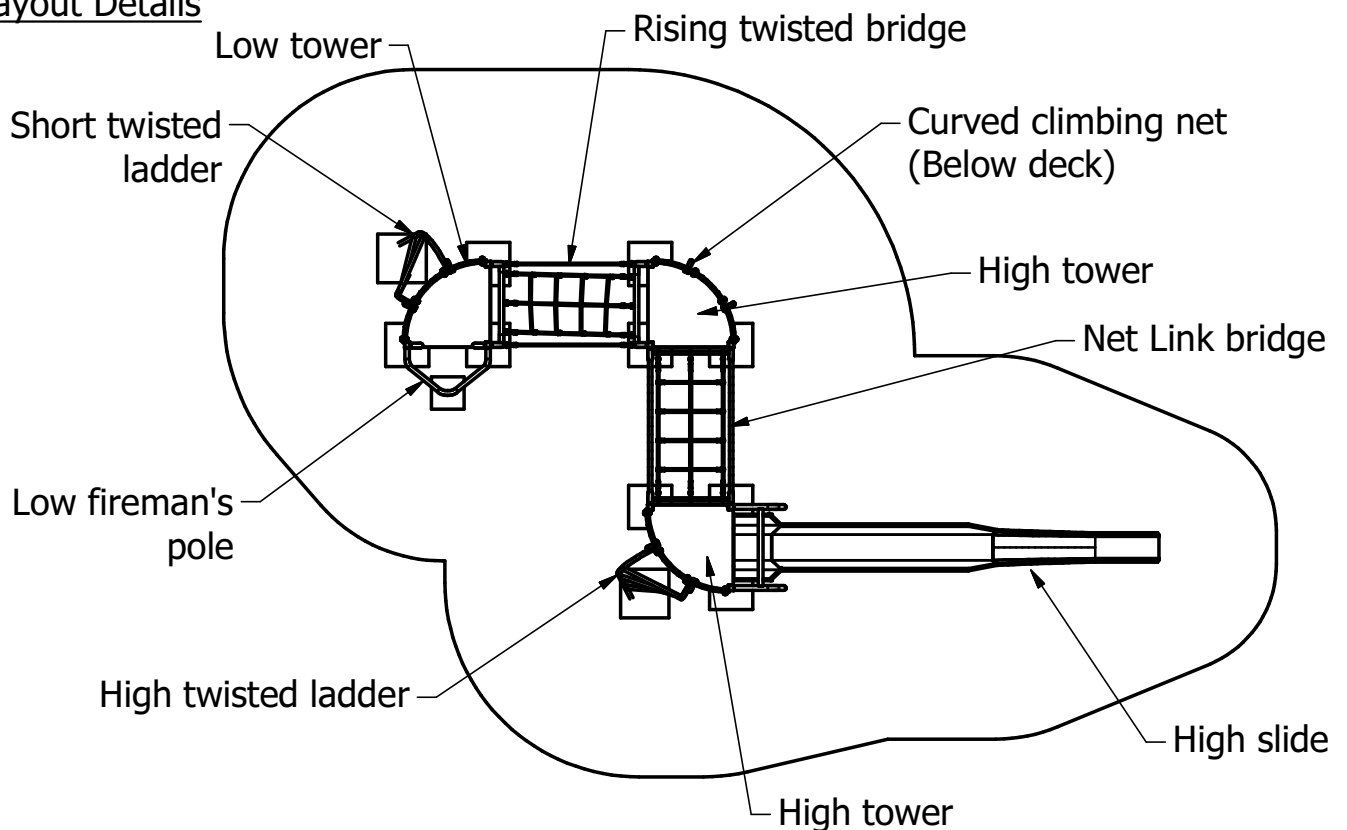
# Installation Instructions



Castle Range	
Gaheris	
PROD. CODE	801-GAHE(NL)
SIZE	3410x7075x2585
AGE RANGE	8 Years to Adult
F/ FALL HEIGHT	1665mm
HEAVIEST PART	See Attached
TOTAL WEIGHT	See Attached



## Layout Details



## General Installation Instructions

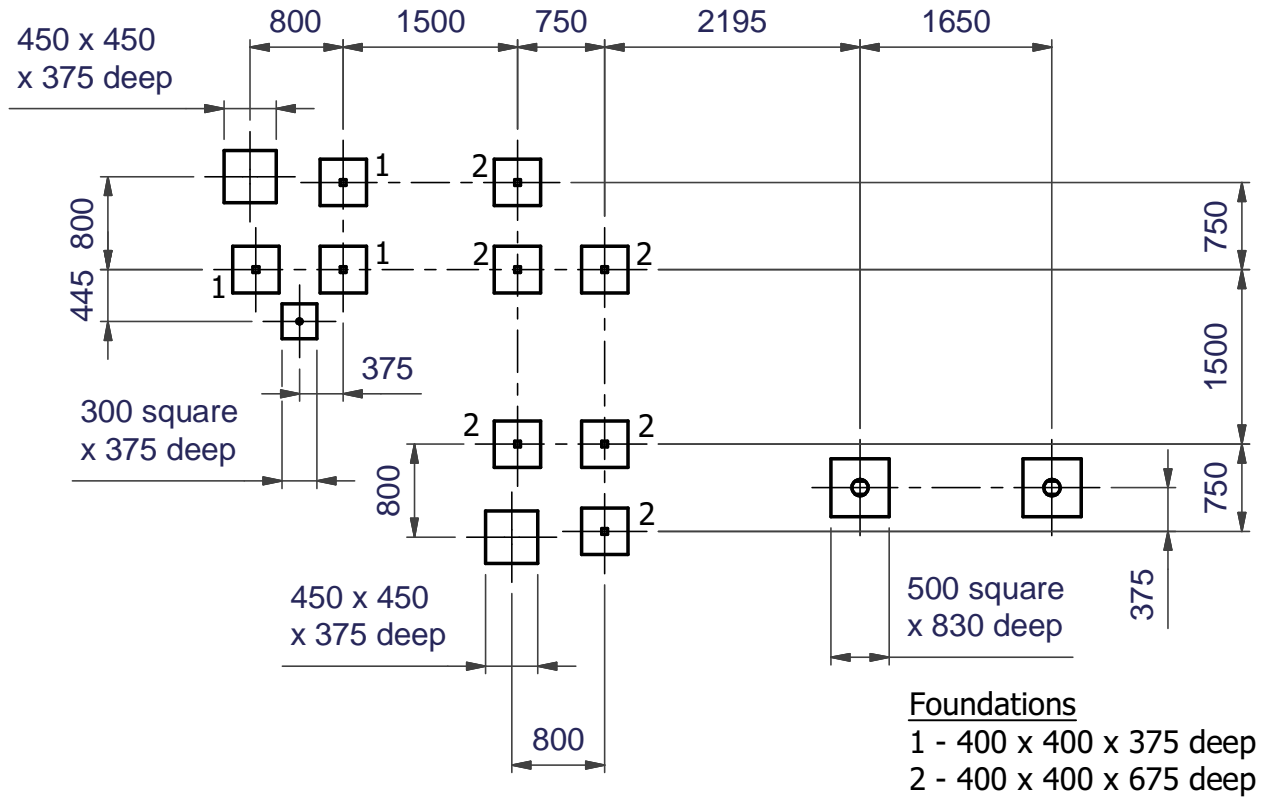
- 1 Read instructions thoroughly before commencing installation of unit. For additional instruction on each unit see appropriate sheets attached.
- 2 Note:- In accordance with 6.1.3 EN1176-1:2008 we recommend that slides do not face south or near due south due to heat build up.
- 3 Excavate foundations as shown in the foundation plan.

Note:- 1. Ensure all installation aids are removed before first use.

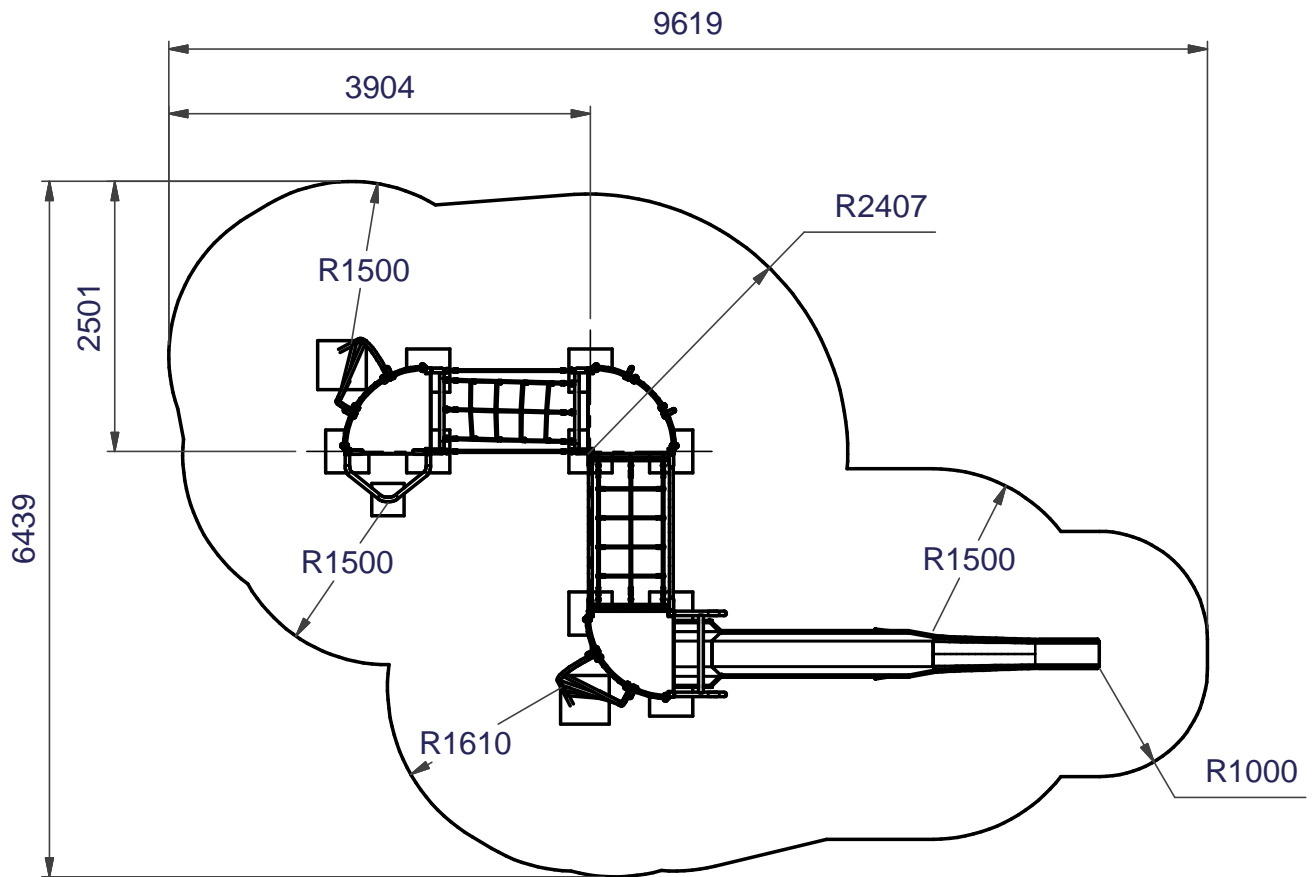
2. Lifting Equipment or sufficient manpower should be used throughout installation.

## Foundation Details

For loose fill see individual installation sheets

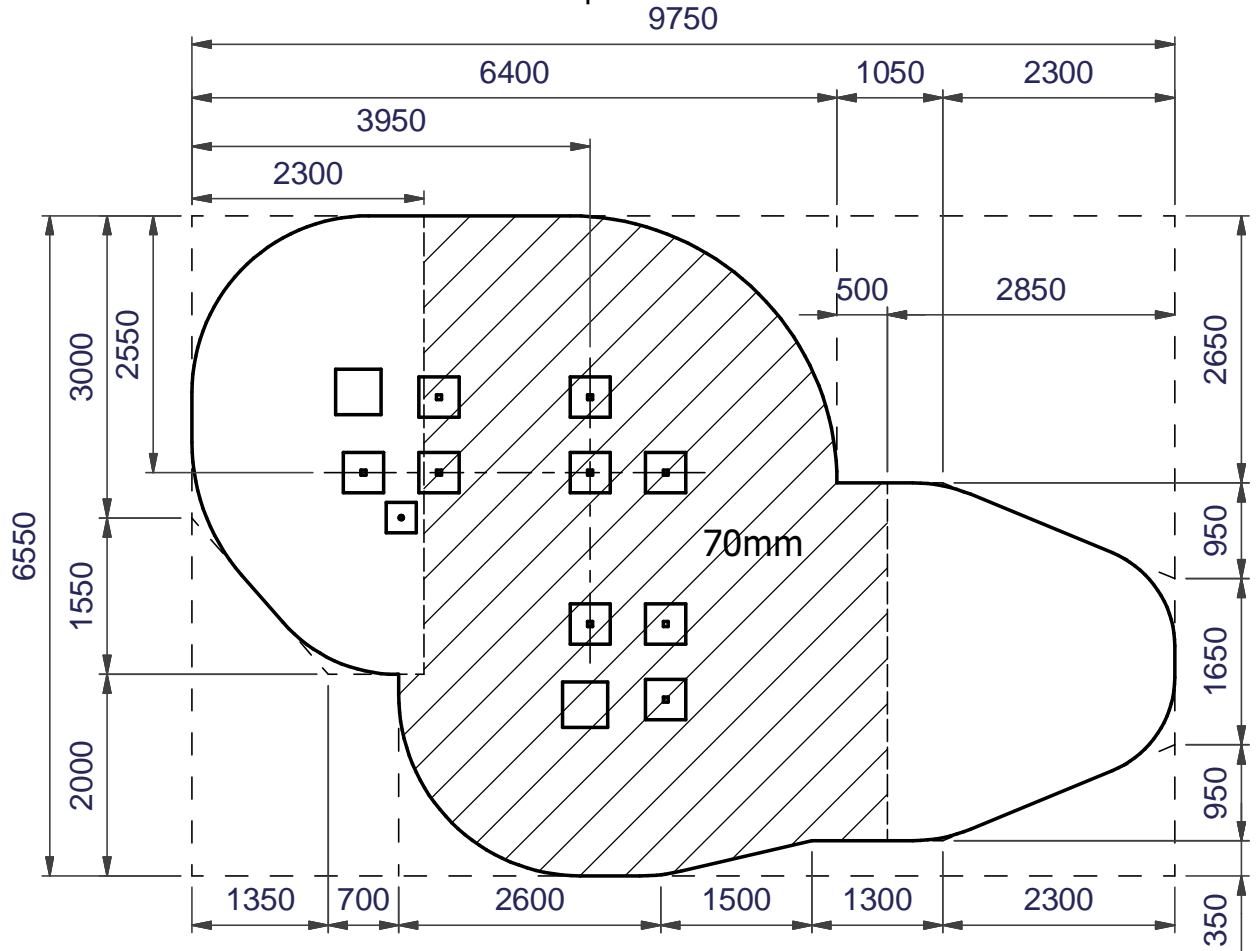


## Minimum Space

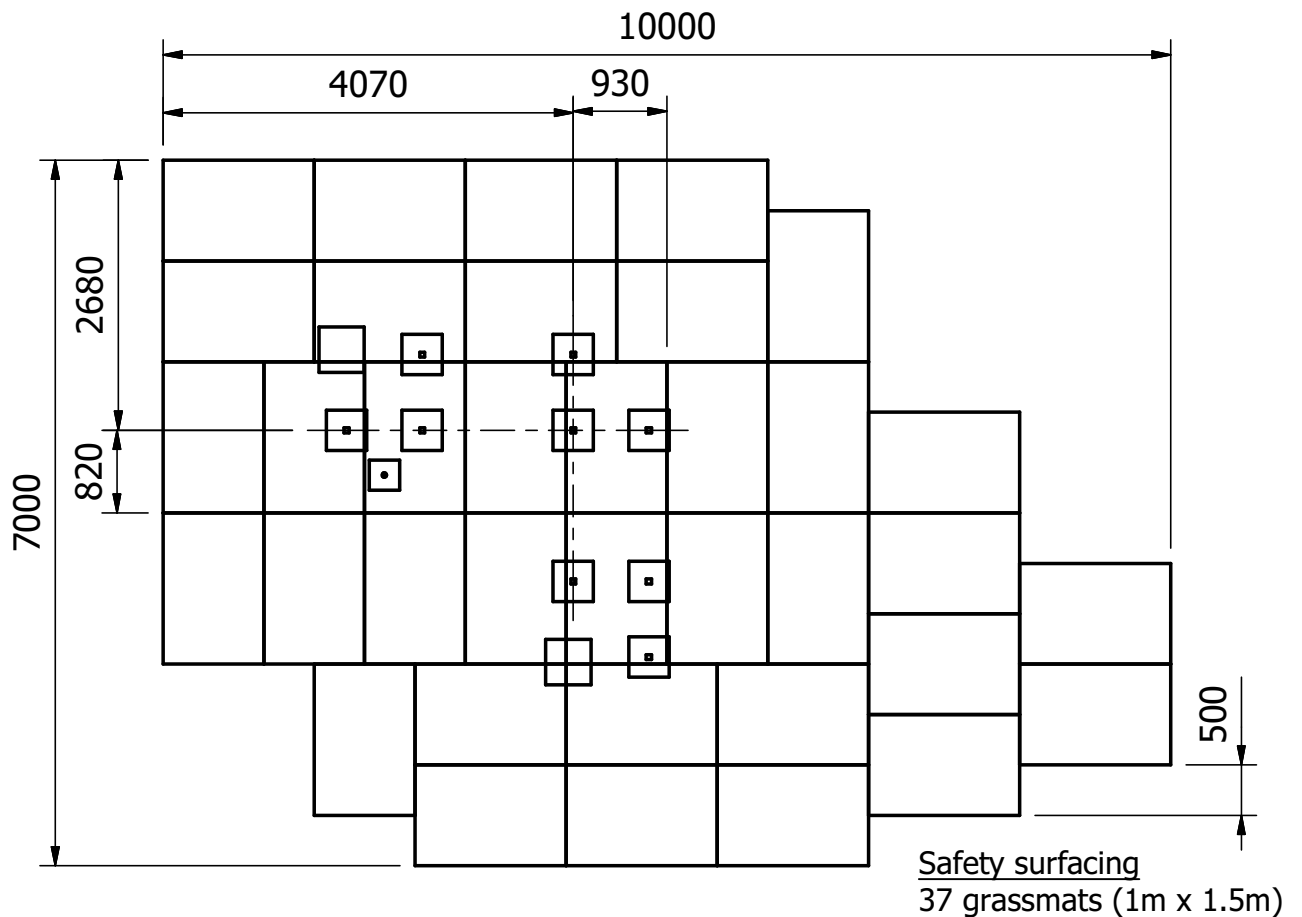


**Wetpour Details**

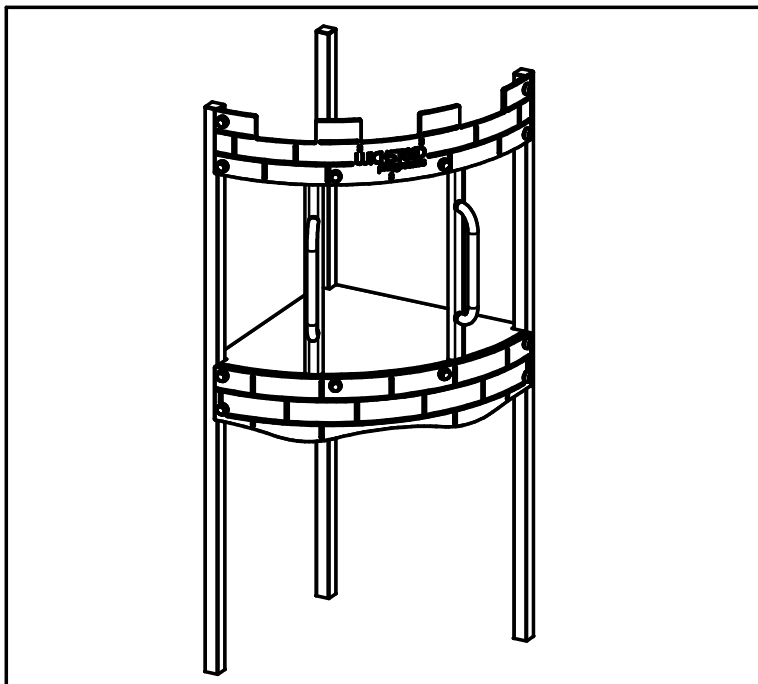
43m<sup>2</sup> of wetpour with 27m edging  
 27m<sup>2</sup> of 70mm thick wetpour  
 16m<sup>2</sup> of 40mm thick wetpour



**Grass Mat Details**



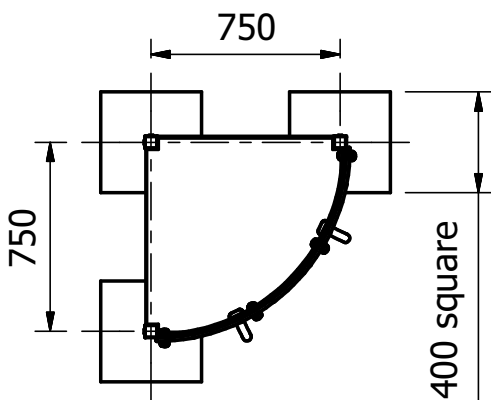
# Installation Instructions



## Castle Range

### Low Tower

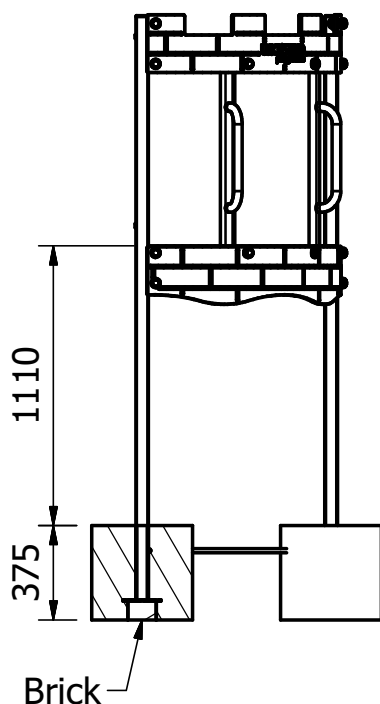
PROD. CODE	5124-030
SIZE	800x800x2025
AGE RANGE	8 Years to Adult
F/ FALL HEIGHT	1110mm
HEAVIEST PART	Approx 66.5 Kg
TOTAL WEIGHT	Approx 74.5 Kg



### Installation Instructions

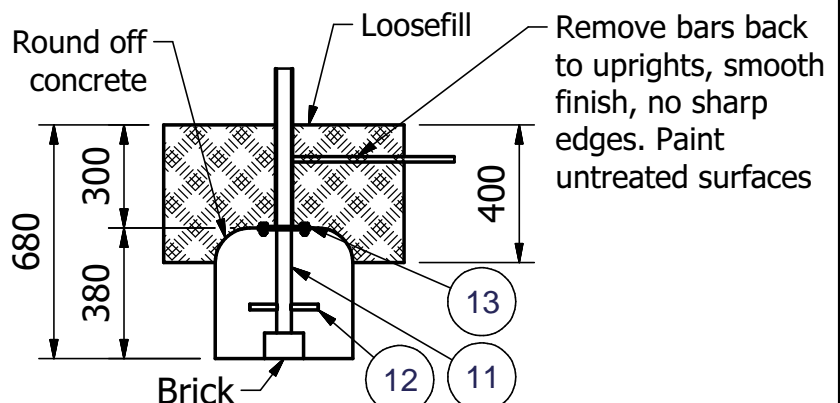
Care must be taken in abnormal conditions

- 1 Read instructions thoroughly before commencing installation of unit
- 2 Excavate foundations as shown in the foundation plan
- 3 Position tower on bricks in the excavated foundations, ensuring it is plumb, square and at the correct height, orientation and distance
- 4 When the unit is fully assembled and all fixings secure, backfill the foundations with 0.17m<sup>3</sup> of concrete (4 parts gravel/2 parts sand/1 part cement)
- 5 Allow concrete to set for 48 hours before first use



#### FOR BARK FIX ADD

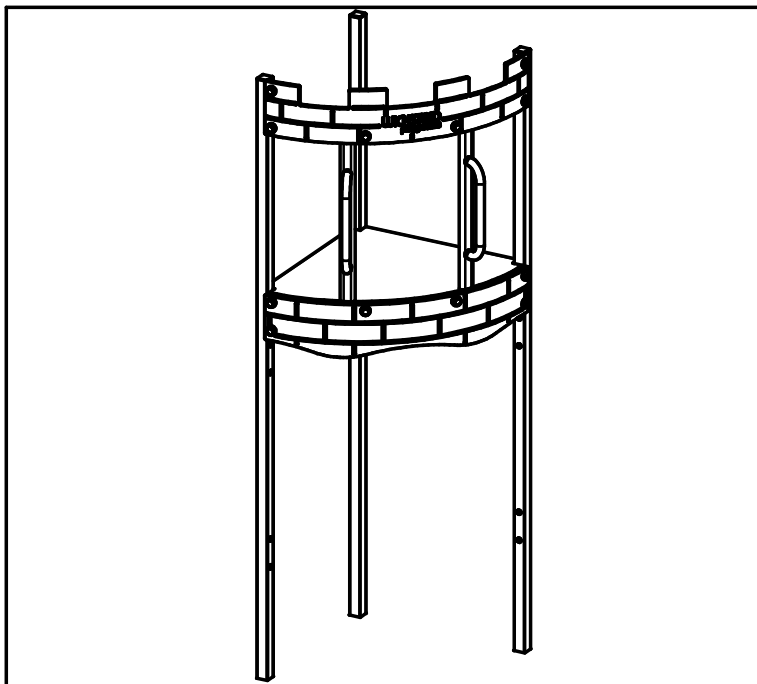
ITEM	QTY	PART NUMBER	DESCRIPTION
11	3	5071-003	BELOW GROUND ASSY
12	3	3031-010	SPRAGGING IRON
13	6	2175-134	M12 x 25 LG HEX HD SCREW



Note:- 1. Ensure all installation aids are removed before first use.

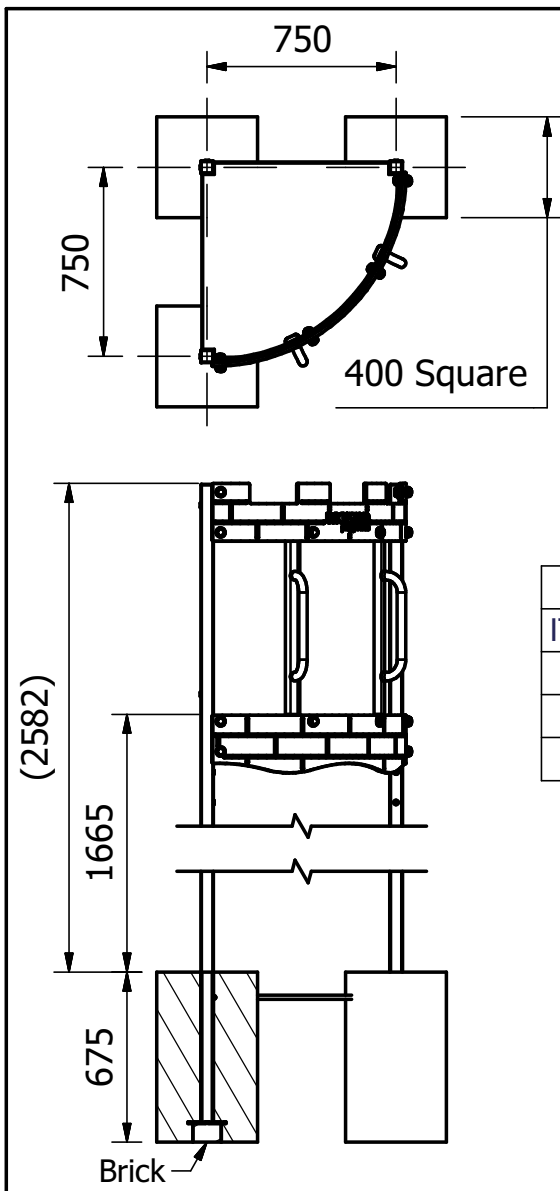
2. Lifting Equipment or sufficient manpower should be used throughout installation.

# Installation Instructions



## Castle Range High Tower

PROD. CODE	5124-031
SIZE	800x800x2580
AGE RANGE	8 Years to Adult
F/ FALL HEIGHT	1665mm
HEAVIEST PART	Approx 78 Kg
TOTAL WEIGHT	Approx 86 Kg



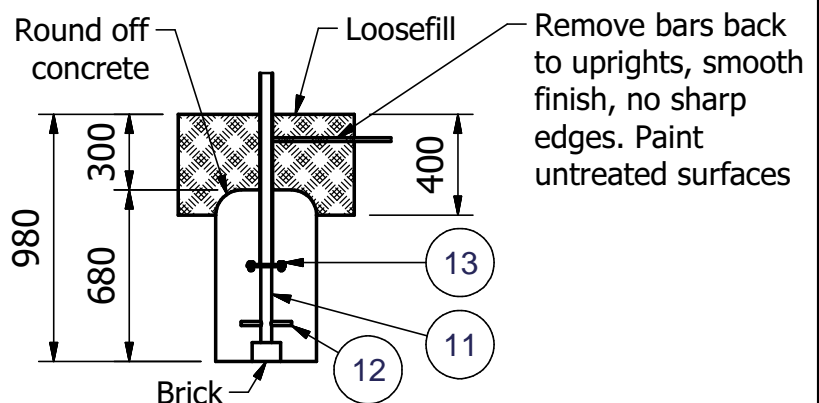
### Installation Instructions

Care must be taken in abnormal conditions

- 1 Read instructions thoroughly before commencing installation of unit
- 2 Excavate foundations as shown in the foundation plan
- 3 Position tower on bricks in the excavated foundations, ensuring it is plumb, square and at the correct height, orientation and distance
- 4 When the unit is fully assembled and all fixings secure, backfill the foundations with 0.31m<sup>3</sup> of concrete (4 parts gravel/2 parts sand/1 part cement)
- 5 Allow concrete to set for 48 hours before first use

#### FOR BARK FIX ADD

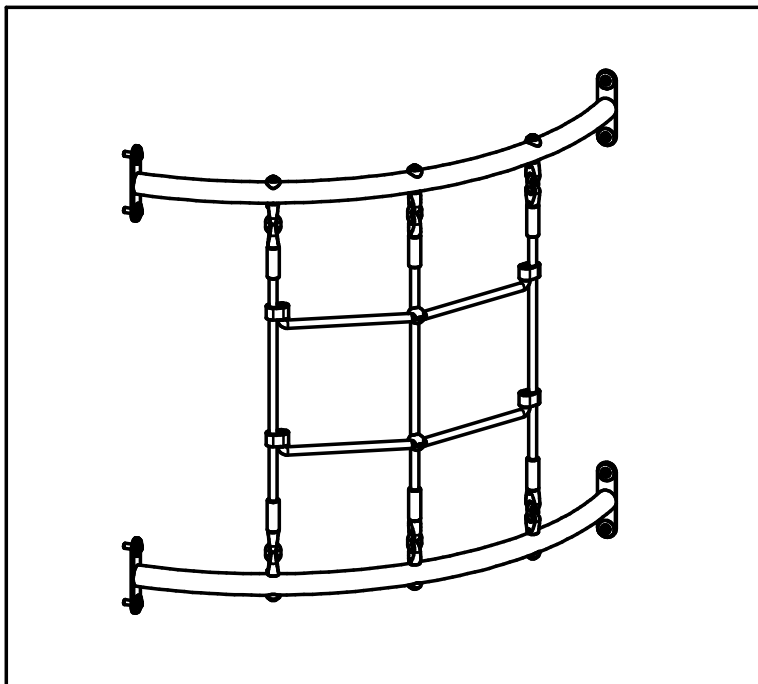
ITEM	QTY	PART NUMBER	DESCRIPTION
11	3	5071-003	BELOW GROUND ASSY
12	3	3031-010	SPRAGGING IRON
13	6	2175-134	M12 x 25 LG HEX HD SCREW



Note:- 1. Ensure all installation aids are removed before first use.

2. Lifting Equipment or sufficient manpower should be used throughout installation.

# Installation Instructions



Castle Range	
Curved Climbing Net	
PROD. CODE	5124-032
SIZE	725 x 725 x 935
AGE RANGE	8 Years to Adult
F/ FALL HEIGHT	1665mm
HEAVIEST PART	Approx 3.75 Kg
TOTAL WEIGHT	Approx 10 Kg



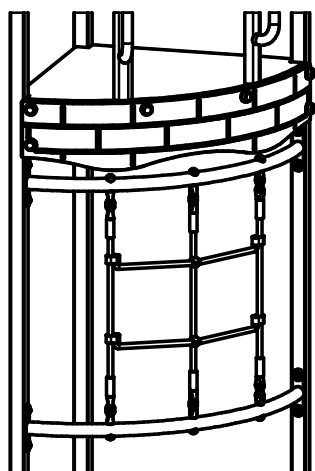
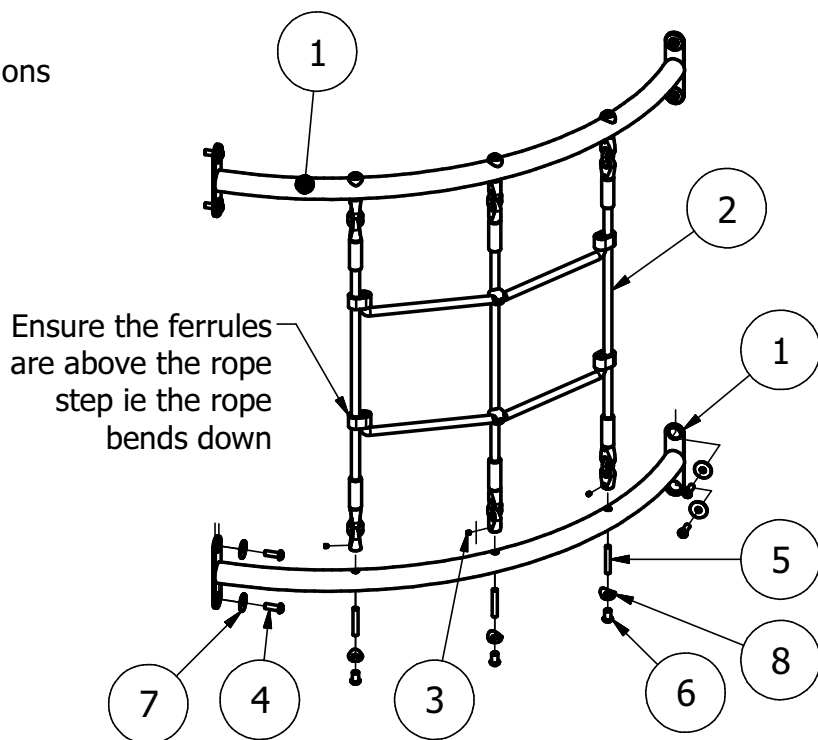
## Installation Instructions

Care must be taken in abnormal conditions

- 1 Read instructions thoroughly before commencing installation of unit
- 2 Offer up the frames to the tower uprights as shown and secure in place with fixings shown

### NOTE

Ensure the rope assembly is fitted the correct way up

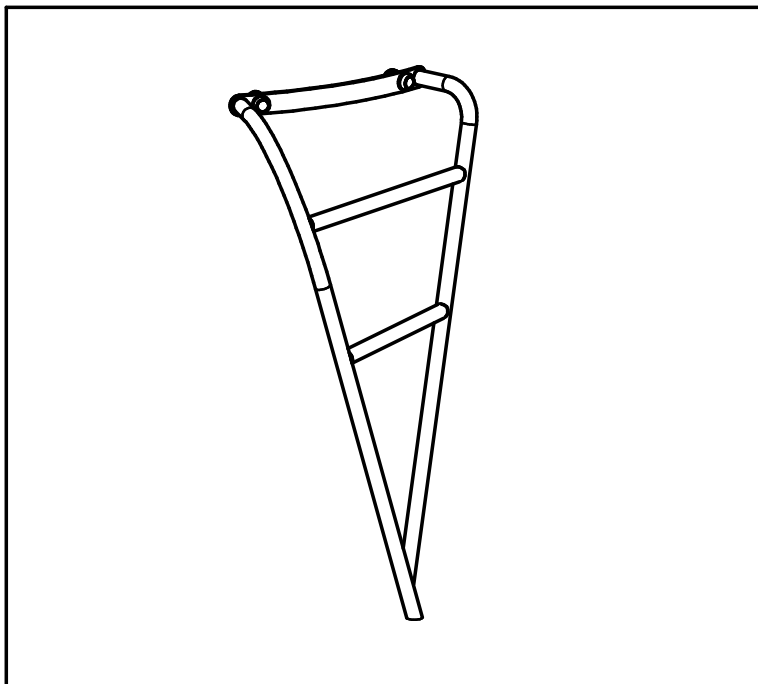


PARTS LIST			
ITEM	QTY	PART NUMBER	DESCRIPTION
1	2	4202-422	CURVED FRAME
2	1	4141-162	CURVED NET ASSY
3	6	2171-101	M6x6 Grub Screw
4	8	2176-132	M10 x 30 Pent Button Head
5	6	3033-018	M10 x 60 Stud
6	6	2177-002	M10 Safety Fastener
7	8	2215-519	Wicksteed Washer
8	6	3711-051	32 NBT SADDLE WASHER

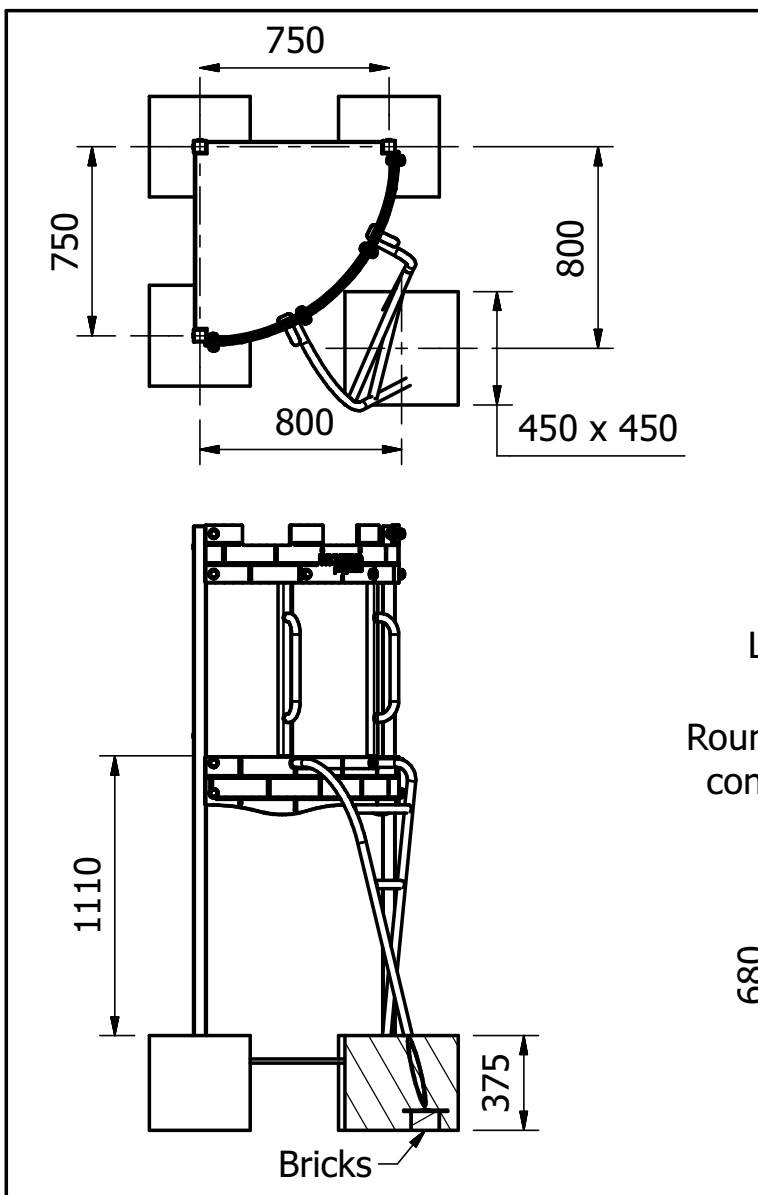
Note:- 1. Ensure all installation aids are removed before first use.

2. Lifting Equipment or sufficient manpower should be used throughout installation.

# Installation Instructions



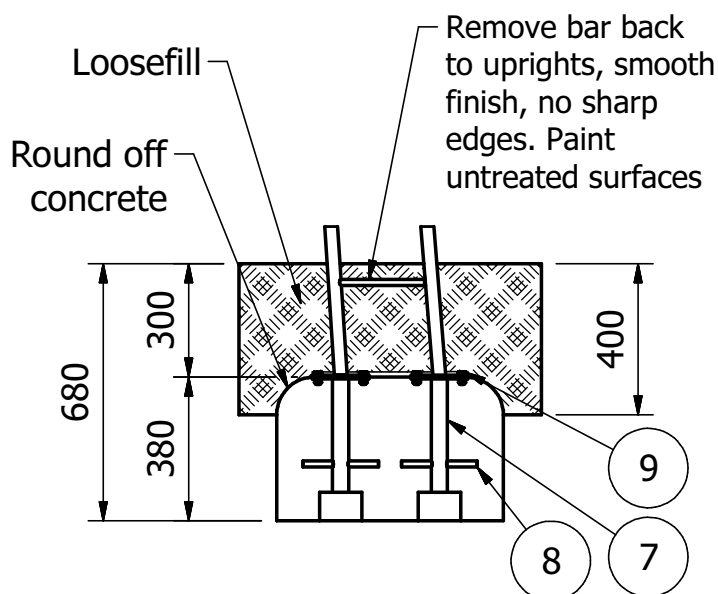
Castle Range	
Short Twisted Ladder	
PROD. CODE	5124-034
SIZE	600x500x1100
AGE RANGE	8 Years to Adult
F/ FALL HEIGHT	1110mm
HEAVIEST PART	Approx 12.7 Kg
TOTAL WEIGHT	Approx 13 Kg
	



## Installation Instructions

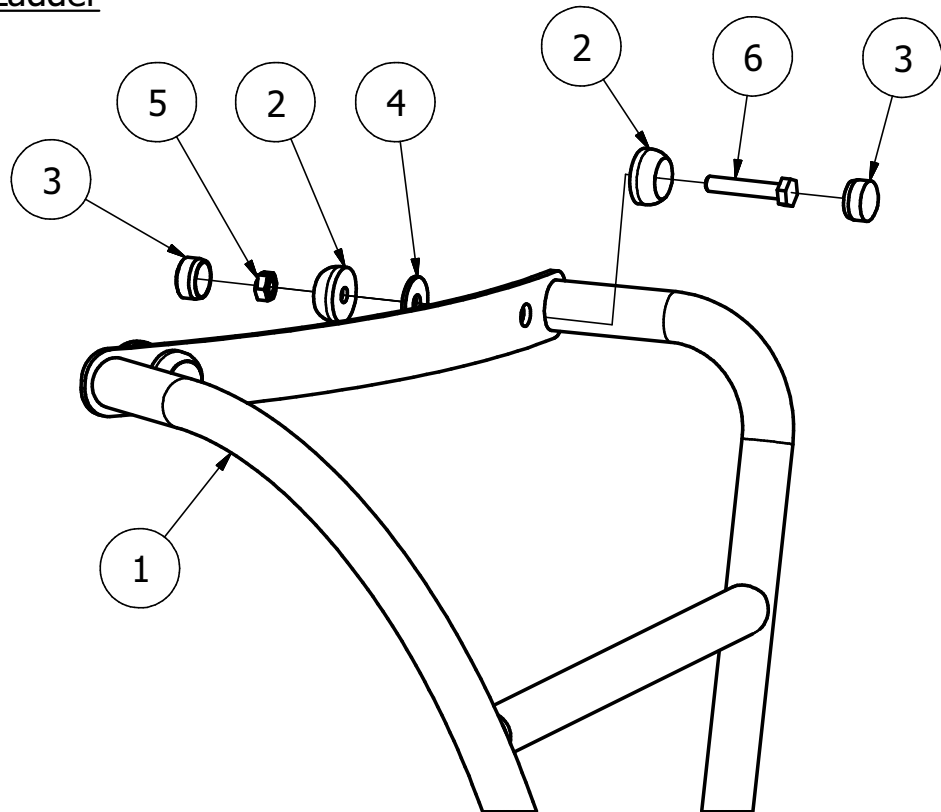
Care must be taken in abnormal conditions

- 1 Read instructions thoroughly before commencing installation of unit
- 2 Excavate foundations as shown in the foundation plan.
- 3 Stand ladder on bricks in excavated holes and attach to tower as shown
- 4 Backfill foundations with 0.07m<sup>3</sup> concrete (4 parts gravel/2 parts sand/1 part cement)
- 5 Allow concrete to set for 48 hours before first use



Note:- 1. Ensure all installation aids are removed before first use.  
2. Lifting Equipment or sufficient manpower should be used throughout installation.

## Short Twisted Ladder



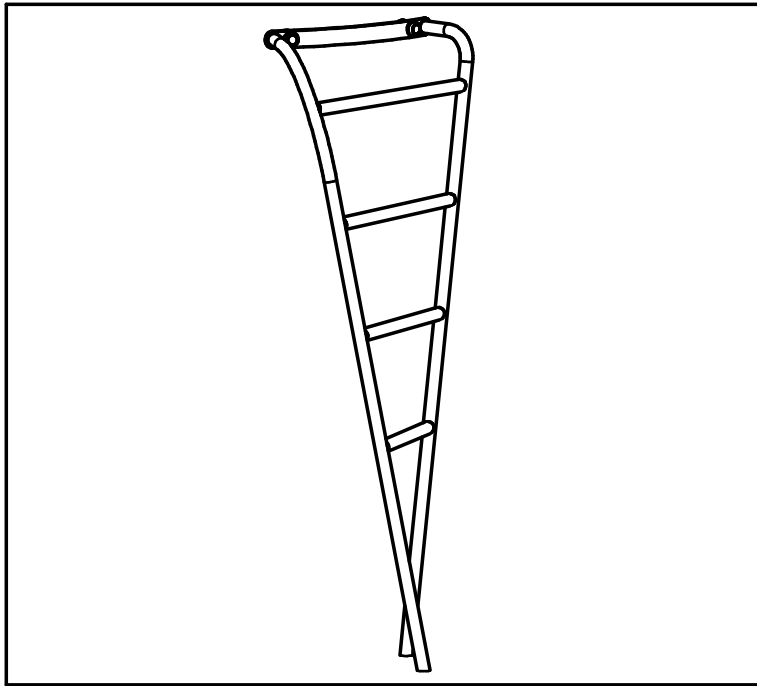
### PARTS LIST

ITEM	QTY	PART NUMBER	DESCRIPTION
1	1	4202-538	SHORT LADDER FRAME
2	4	2611-031_Cup	Black Poepplemann Cup
3	4	2611-031_Cap	Black Poepplemann Cap
4	2	2215-519	Wicksteed Washer
5	2	2191-010	M10 Binx Nut
6	2	2185-039	M10 x 55 Hex Head Bolt

### FOR BARK FIX ADD

ITEM	QTY	PART NUMBER	DESCRIPTION
7	2	5071-003	BELOW GROUND ASSY
8	2	3031-010	SPRAGGING IRON
9	4	2175-134	M12 x 25 LG HEX HD SCREW

# Installation Instructions



Castle Range	
High Twisted Ladder	
PROD. CODE	5124-035
SIZE	615x515x1660
AGE RANGE	8 Years to Adult
F/ FALL HEIGHT	1665mm
HEAVIEST PART	Approx 17 Kg
TOTAL WEIGHT	Approx 17.5 Kg



### Installation Instructions

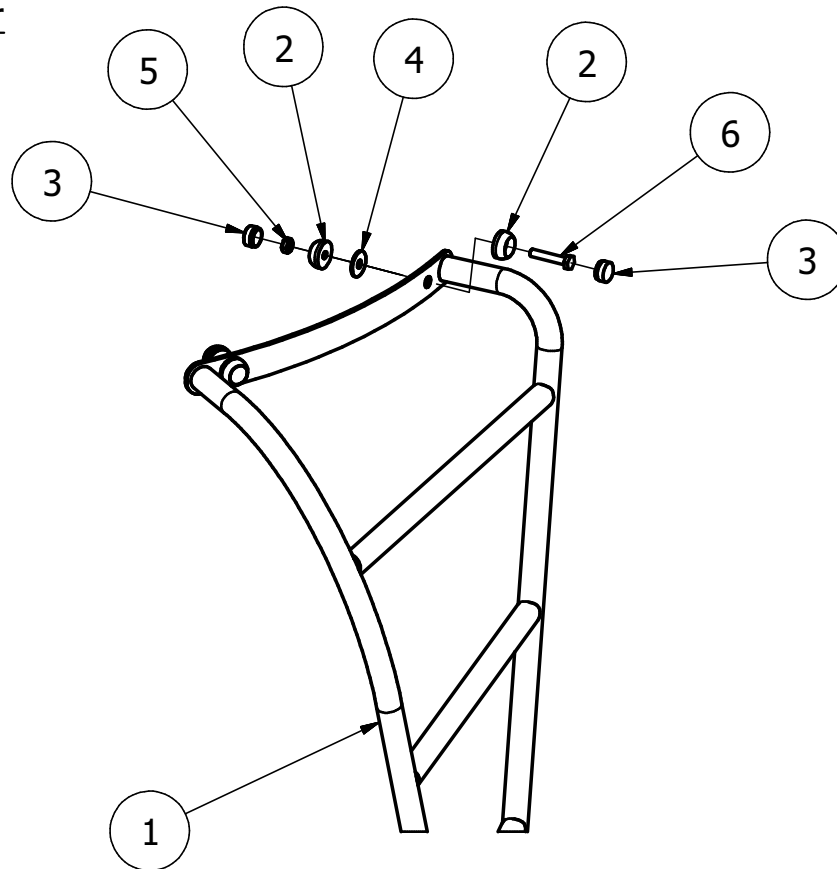
Care must be taken in abnormal conditions

- 1 Read instructions thoroughly before commencing installation of unit
- 2 Excavate foundations as shown in the foundation plan.
- 3 Stand ladder on bricks in excavated holes and attach to tower as shown
- 4 Backfill foundations with 0.07m<sup>3</sup> concrete (4 parts gravel/2 parts sand/1 part cement)
- 5 Allow concrete to set for 48 hours before first use

Remove bar back to uprights, smooth finish, no sharp edges. Paint untreated surfaces

Note:- 1. Ensure all installation aids are removed before first use.  
 2. Lifting Equipment or sufficient manpower should be used throughout installation.

## High Twisted Ladder



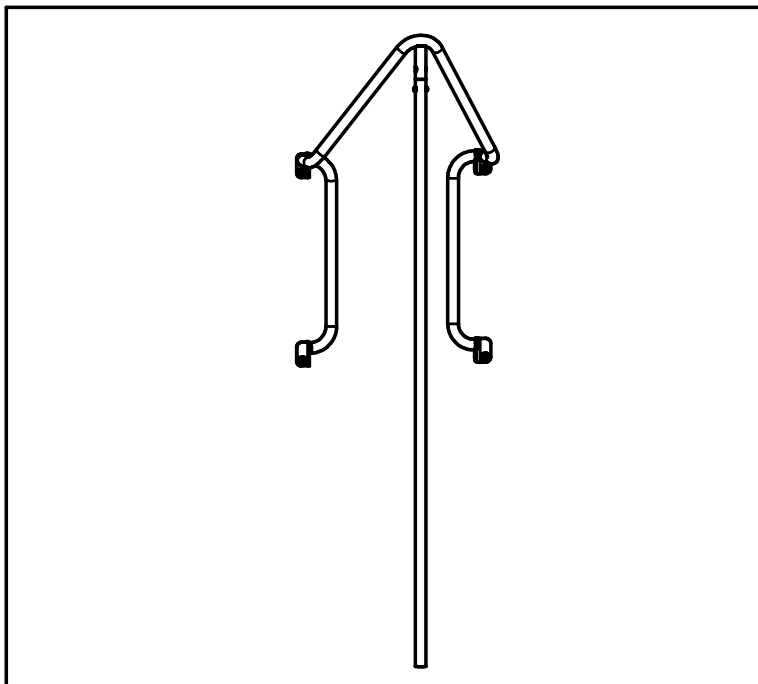
### PARTS LIST

ITEM	QTY	PART NUMBER	DESCRIPTION
1	1	4202-544	HIGH LADDER FRAME
2	4	2611-031_Cup	Black Poepplemann Cup
3	4	2611-031_Cap	Black Poeppelmann Cap
4	2	2215-519	Wicksteed Washer
5	2	2191-010	M10 Binx Nut
6	2	2185-039	M10 x 55 Hex Head Bolt

### FOR BARK FIX ADD

ITEM	QTY	PART NUMBER	DESCRIPTION
7	2	5071-003	BELOW GROUND ASSY
8	2	3031-010	SPRAGGING IRON
9	4	2175-134	M12 x 25 LG HEX HD SCREW

# Installation Instructions



Castle Range	
Low Fireman's Pole	
PROD. CODE	5124-036
SIZE	800x495x2515
AGE RANGE	8 Years to Adult
F/ FALL HEIGHT	1110mm
HEAVIEST PART	Approx 21.5 Kg
TOTAL WEIGHT	Approx 22 Kg



445

375

300 square

### Installation Instructions

Care must be taken in abnormal conditions

- 1 Read instructions thoroughly before commencing installation of unit
- 2 Excavate foundations as shown in the foundation plan.
- 3 Place pole on a brick in the excavated foundation and secure to tower as shown, ensuring pole is vertical
- 4 Backfill foundation with 0.03m<sup>3</sup> concrete (4 parts gravel/2 parts sand/1 part cement)
- 5 Allow concrete to set for 48 hours before first use

441

1110

375

(2512)

Brick

680

380

300

400

Round off concrete

Bark

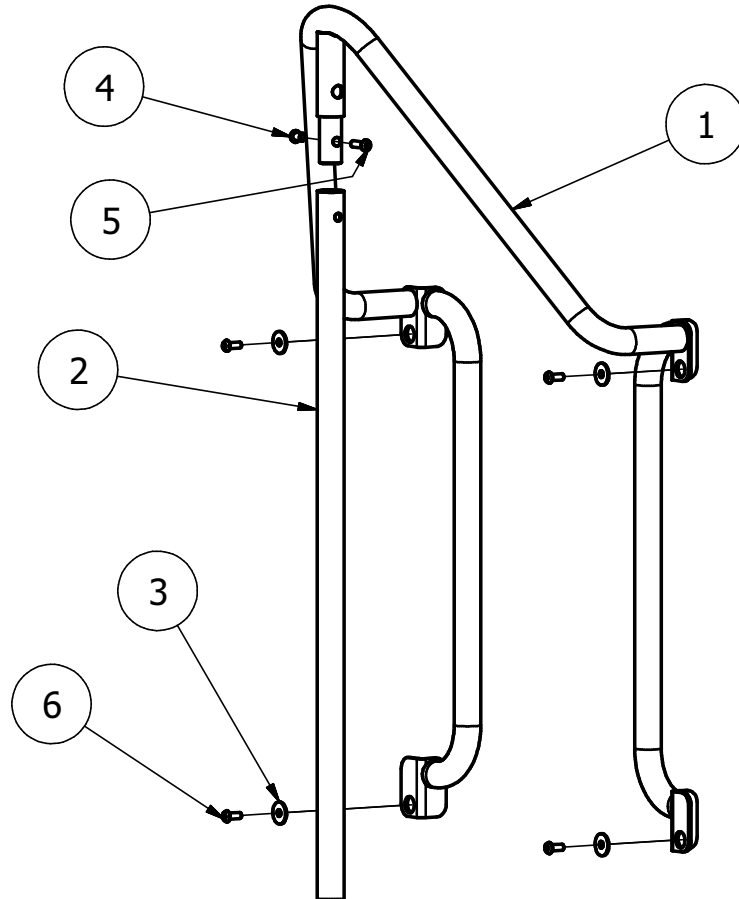
7

8

9

Note:- 1. Ensure all installation aids are removed before first use.  
 2. Lifting Equipment or sufficient manpower should be used throughout installation.

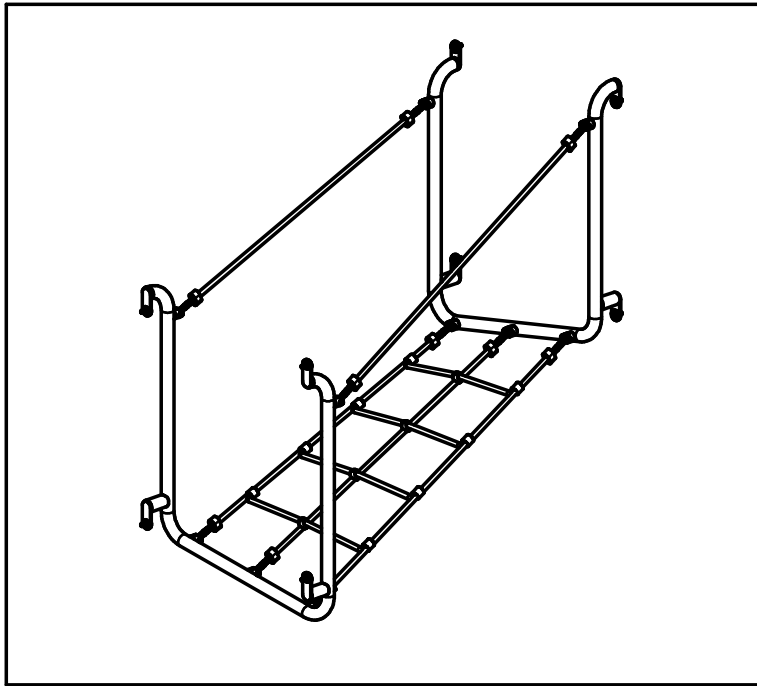
# Fireman's Pole Ladder



PARTS LIST			
ITEM	QTY	PART NUMBER	DESCRIPTION
1	1	90156-02	WELDED MONKEY POLE SLIDER
2	1	4202-433	LOW POLE ASSY
3	4	2215-519	Wicksteed Washer
4	1	2177-002	M10 Safety Fastener
5	1	2176-127	M10 x 35 Pent Button Head
6	4	2176-126	M10 x 25 Pent Button Head

FOR BARK FIX ADD			
ITEM	QTY	PART NUMBER	DESCRIPTION
7	1	5071-003	BELOW GROUND ASSY
8	1	3031-010	SPRAGGING IRON
9	2	2175-134	M12 x 25 LG HEX HD SCREW

# Installation Instructions



## Castle Range

### Rising Twisted Bridge

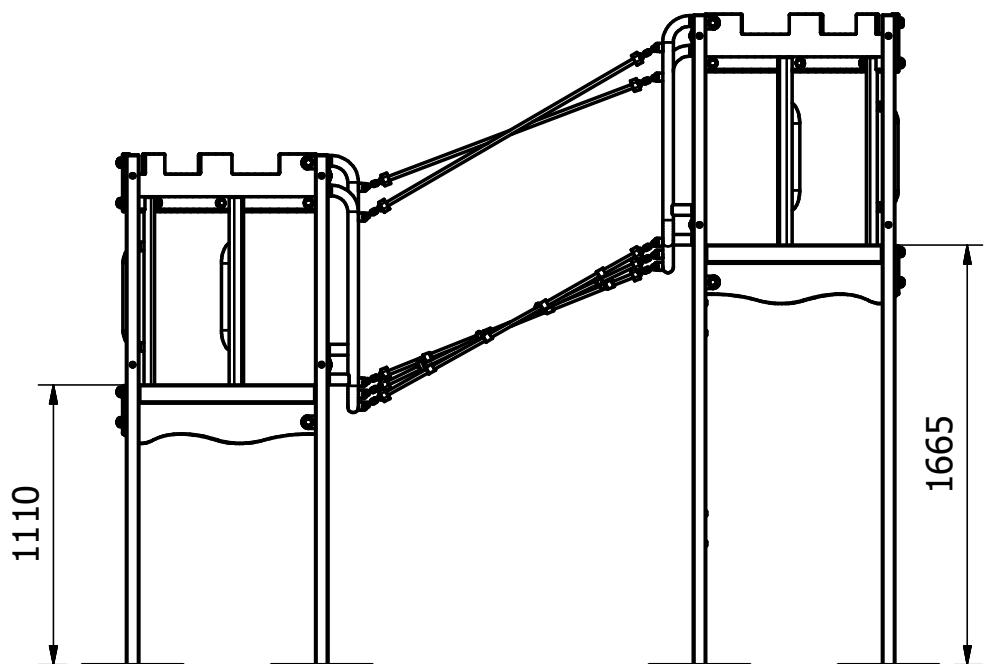
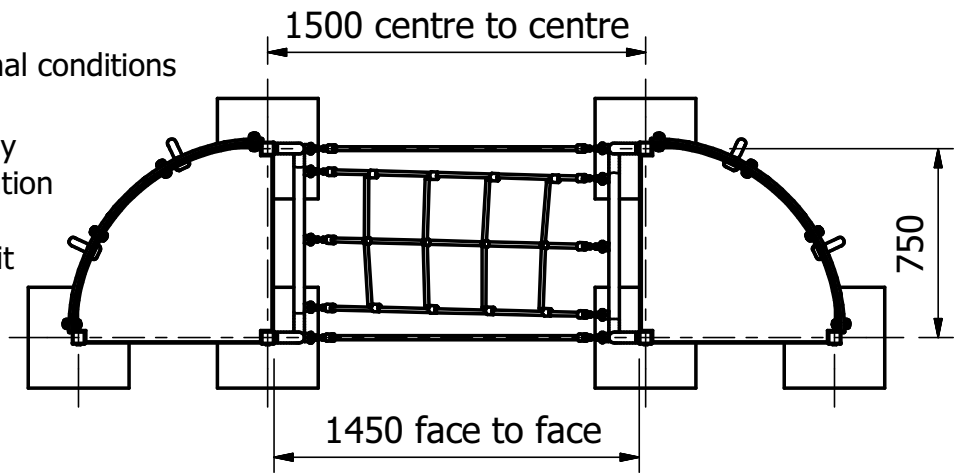
PROD. CODE	5124-040
SIZE	800x1450x1575
AGE RANGE	8 Years to Adult
F/ FALL HEIGHT	1665mm
HEAVIEST PART	Approx 26.5 Kg
TOTAL WEIGHT	Approx 30 Kg



### Installation Instructions

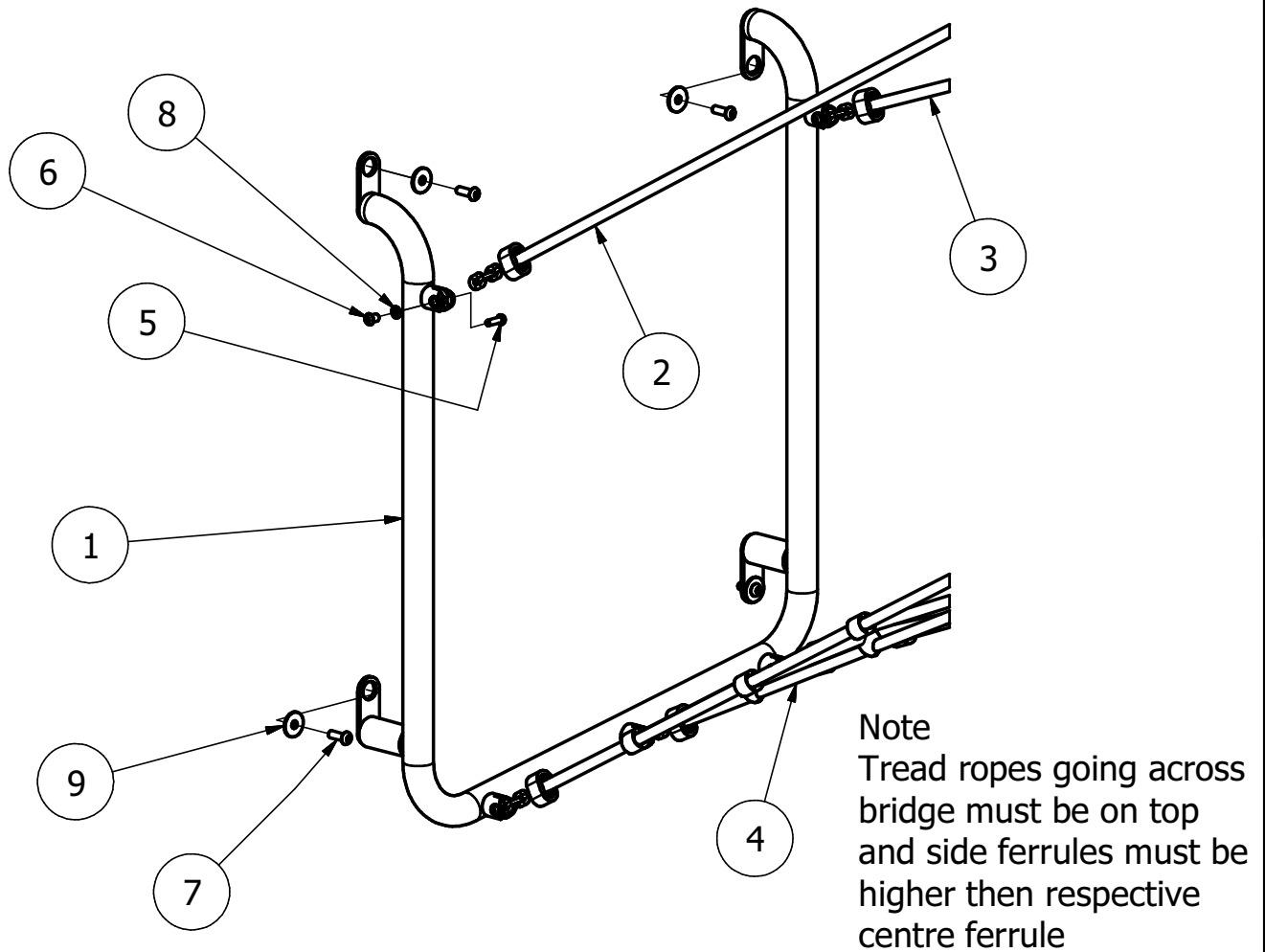
Care must be taken in abnormal conditions

- 1 Read instructions thoroughly before commencing installation of unit
- 2 Support bridge frame and fit to towers as shown



Note:- 1. Ensure all installation aids are removed before first use.  
2. Lifting Equipment or sufficient manpower should be used throughout installation.

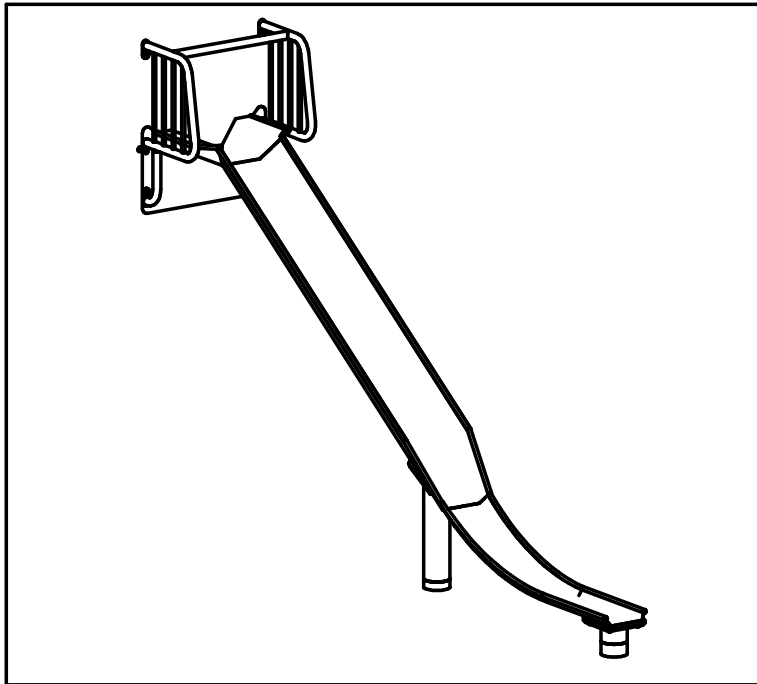
## Rising Twisted Bridge



### PARTS LIST

ITEM	QTY	PART NUMBER	DESCRIPTION
1	2	4202-427	RISING TWISTED BRIDGE FRAME
2	1	4141-177	LONG HANDRAIL ASSY
3	1	4141-178	SHORT HANDRAIL ASSY
4	1	4141-179	TWISTED NET ASSY
5	10	2176-152	M8 x 25 Pent Button Head
6	10	2177-004	M8 Short Safety Fastener
7	8	2176-132	M10 x 30 Pent Button Head
8	10	2212-203	M10 Spring Washer
9	8	2215-519	Wicksteed Washer

# Installation Instructions



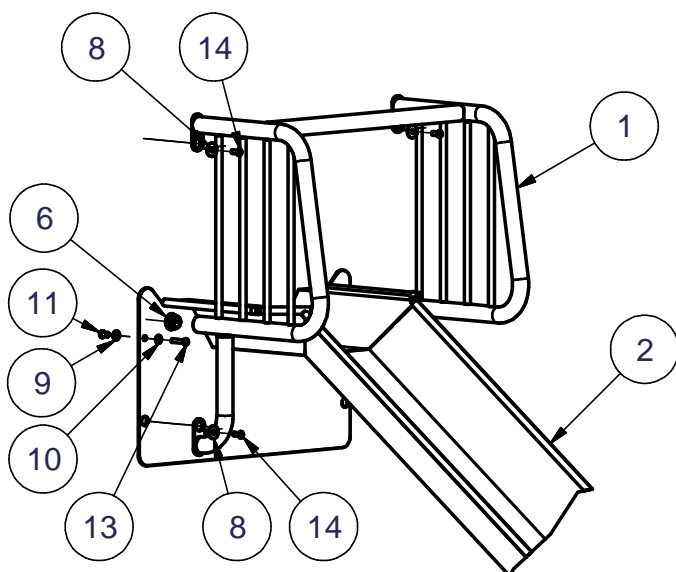
Castle Range	
High Slide	
PROD. CODE	5124-041
SIZE	3.94 x 0.8 x 2.6
AGE RANGE	8 Years to Adult
F/ FALL HEIGHT	1.93m
HEAVIEST PART	Approx 67 Kg
TOTAL WEIGHT	Approx 119 Kg

## Installation Instructions

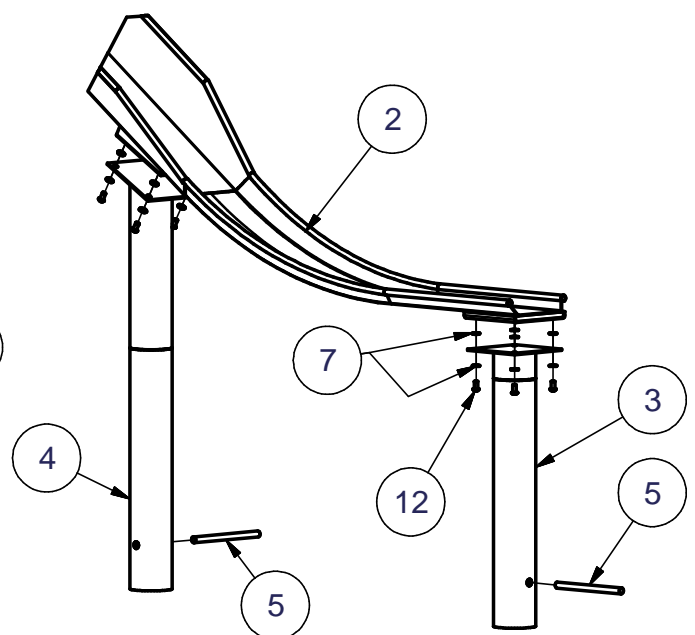
Care must be taken in abnormal conditions

Note:- In accordance with 6.1.3 EN1176-1:2008 we recommend that slides do not face south or near due south due to heat build up

- 1 Read instructions thoroughly before commencing installation of unit
- 2 Excavate foundations as shown in foundation plan
- 3 Place pedestals on bricks in excavated foundations and support
- 4 Attach chute to pedestals and tower
- 5 Attach slide guard to tower
- 6 Backfill foundations with 0.38m<sup>3</sup> concrete (4 parts gravel/2 parts sand/ 1 part cement)
- 7 Allow concrete to set for 48 hours before first use



Tower uprights must be drilled thro' on site to accept fixings

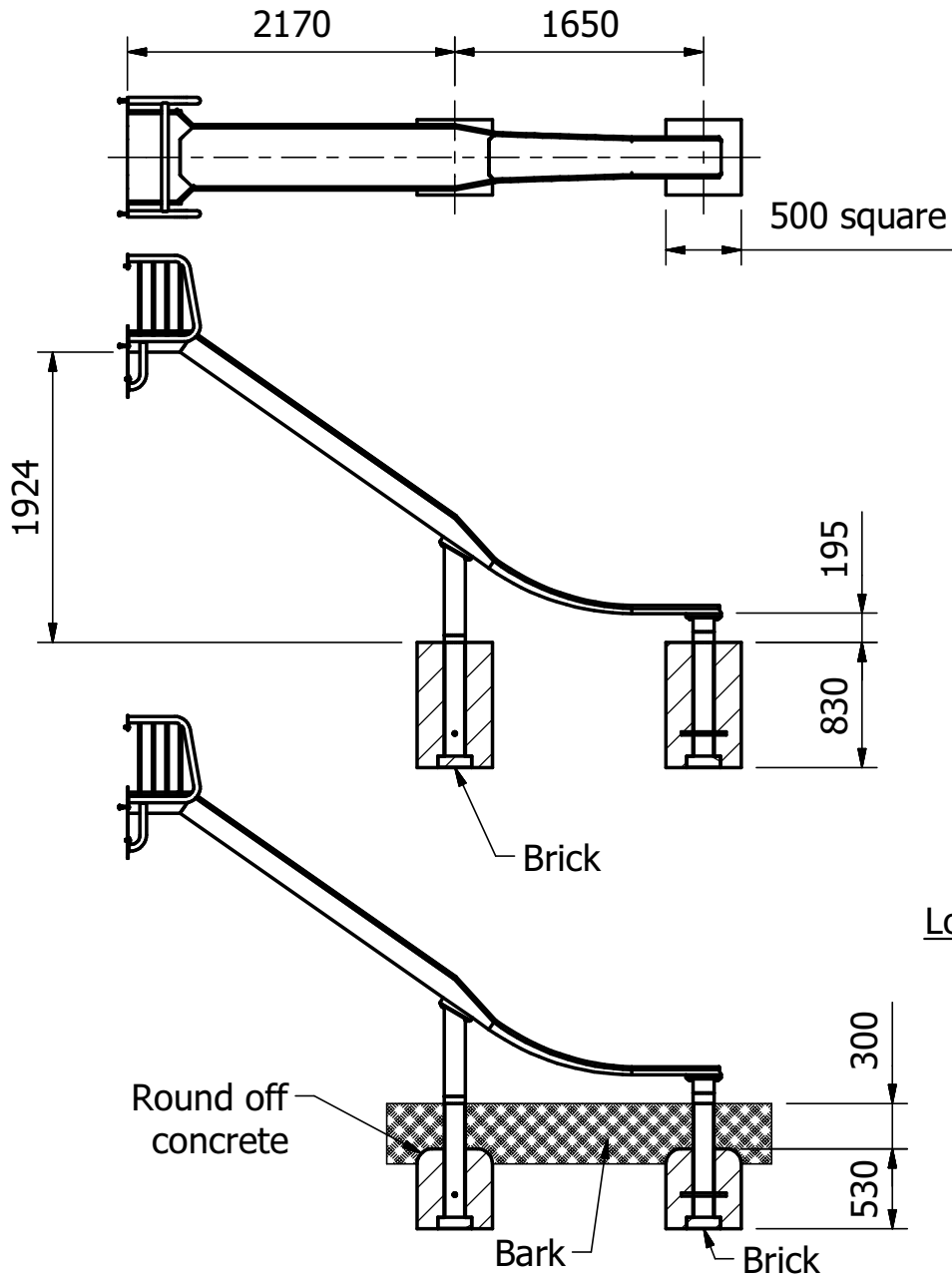


Note:- 1. Ensure all installation aids are removed before first use.

2. Lifting Equipment or sufficient manpower should be used throughout installation.

## Foundations detail

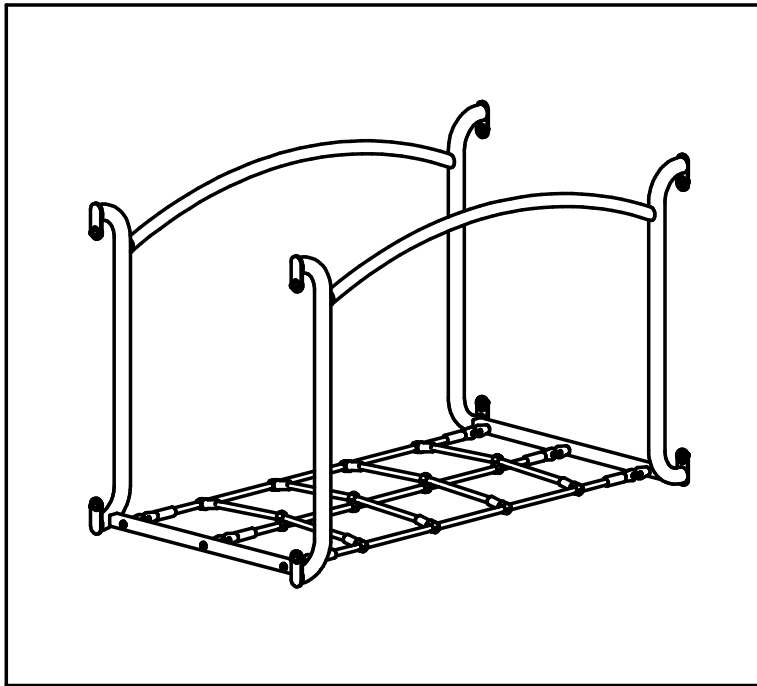
(Care must be taken under abnormal conditions)



Loose-fill details

PARTS LIST			
ITEM	QTY	PART NUMBER	DESCRIPTION
1	1	90106-02	SINGLE SLIDE BARRIER
2	1	5031-421	HIGH SLIDE CHUTE ASSY
3	1	4013-038	PEDESTAL SUPPORT LEG - RUNOUT
4	1	4013-037	PEDESTAL SUPPORT LEG - MIDDLE
5	2	3031-011	SPRAGGING IRON
6	2	2611-005	END PLUG (1¼ NB)
7	16	2571-013	M12 Fibre Washer
8	4	2215-519	Wicksteed Washer
9	2	2215-509	M12 Plain Washer
10	2	2215-508	M10 Washer
11	2	2177-002	M10 Safety Fastener
12	8	2176-176	M12 x 25 Pent Button Head
13	2	2176-129	M10 x 50 Pent Button Head
14	4	2176-126	M10 x 25 Pent Button Head

# Installation Instructions

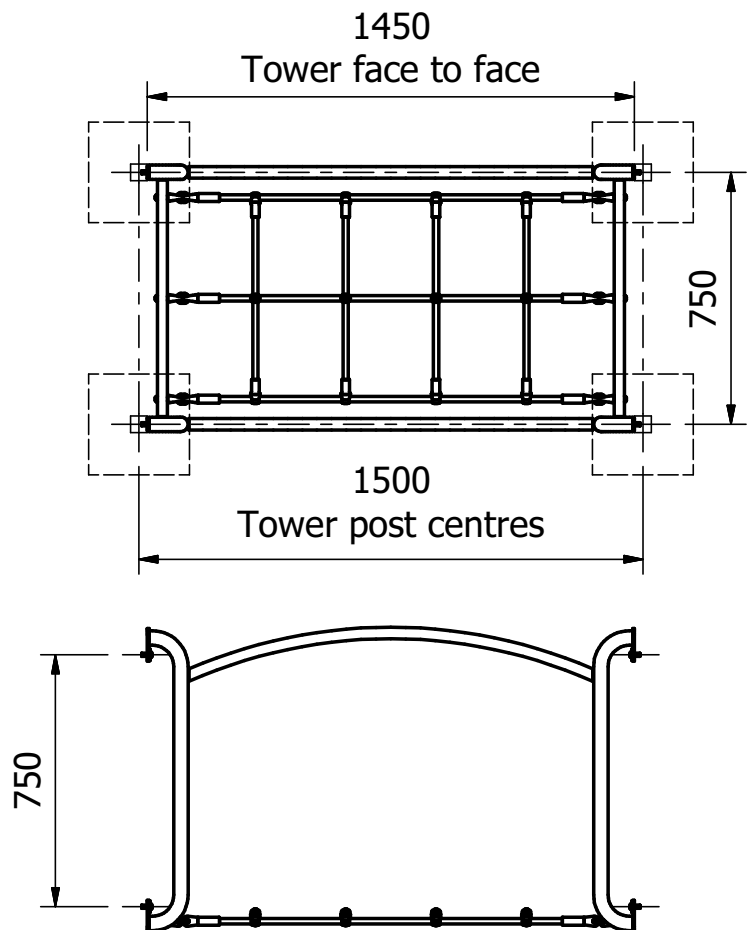
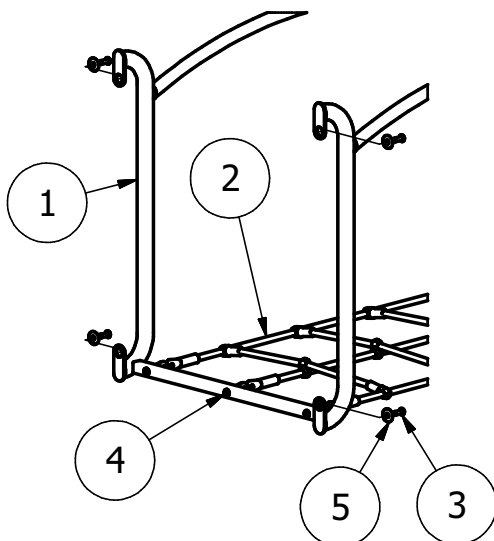


Storm Net Link	
PROD. CODE	80158
SIZE	1450x795x910
AGE RANGE	6 Years to Adult
F/ FALL HEIGHT	Varies with Unit
HEAVIEST PART	Approx 21.5 Kg
TOTAL WEIGHT	Approx 25 Kg
	

## Installation Instructions

Care must be taken in abnormal conditions

- 1 Read instructions thoroughly before commencing installation of unit.
- 2 Attach net to frame. When installing Net Link ensure short ropes are on top of the centre rope.
- 3 Support net link between towers and attach using fixings as shown.



PARTS LIST				PARTS LIST			
ITEM	QTY	PART NUMBER	DESCRIPTION	ITEM	QTY	PART NUMBER	DESCRIPTION
1	1	80158-01	NET LINK W.A.	4	6	2176-128	M10 x 45 Pent Button Head
2	1	80158-02	NET LINK NET	5	8	2215-519	Wicksteed Washer
3	8	2176-126	M10 x 25 Pent Button Head				

Note:- 1. Ensure all installation aids are removed before first use.

2. Lifting Equipment or sufficient manpower should be used throughout installation.