


Rope Swing Crusader	
PROD. CODE	6040-108
SIZE	5710x2900x2750
AGE RANGE	5 to Adult
F/ FALL HEIGHT	1495mm
HEAVIEST PART	75Kg
TOTAL WEIGHT	462Kg
	

SPECIFICATION

Steel plate to BS EN 10025 S235 & S355
 Steel CHS to BS EN 10219 S235
 Steel NBT to BS EN10255
 Steel CHS and RHS to BS EN10210 S355
 Welding to EN ISO 14341:2011
 Polyester powder paint to EN 13438:2005

Standard fixings to BS 3692:2001 and
 BS 4190:2001
 Non-standard fixings are anti-vandal and
 corrosion resistant

INSTALLATION INSTRUCTIONS

- 1 Read instructions thoroughly before commencing installation of unit.
- 2 Excavate foundations for the two central uprights only as shown in the foundation plan.
3. Position the central uprights with spragging irons in the excavated holes and check they are vertical at the correct height and spaced apart at the correct distance using the installation aid.
- 4 Backfill foundations with approx 1.0 m³ concrete (4 parts gravel/2 parts sand/1 part cement).
- 5 Allow concrete to set for 48 hours.
6. REMOVE INSTALLATION AID.
- 7 Excavate foundations for the four Outer Legs as shown in the foundation plan.
- 8 Assemble the Outer Legs with spragging irons to the Centre Uprights as detailed in pages 5.

Continued on Page 2

Note

Note ENSURE ALL INSTALLATION AIDS ARE REMOVED BEFORE FIRST USE

INSTALLATION INSTRUCTIONS CONTINUED

9 TIGHTEN THE M16 FIXINGS TO THE CORRECT TORQUE SETTINGS AND FIT NUTCAPS.

10 Ensure the legs are at the correct spacing before backfilling foundations with approx 2.0 m³ concrete (4 parts gravel/2 parts sand/1 part cement).

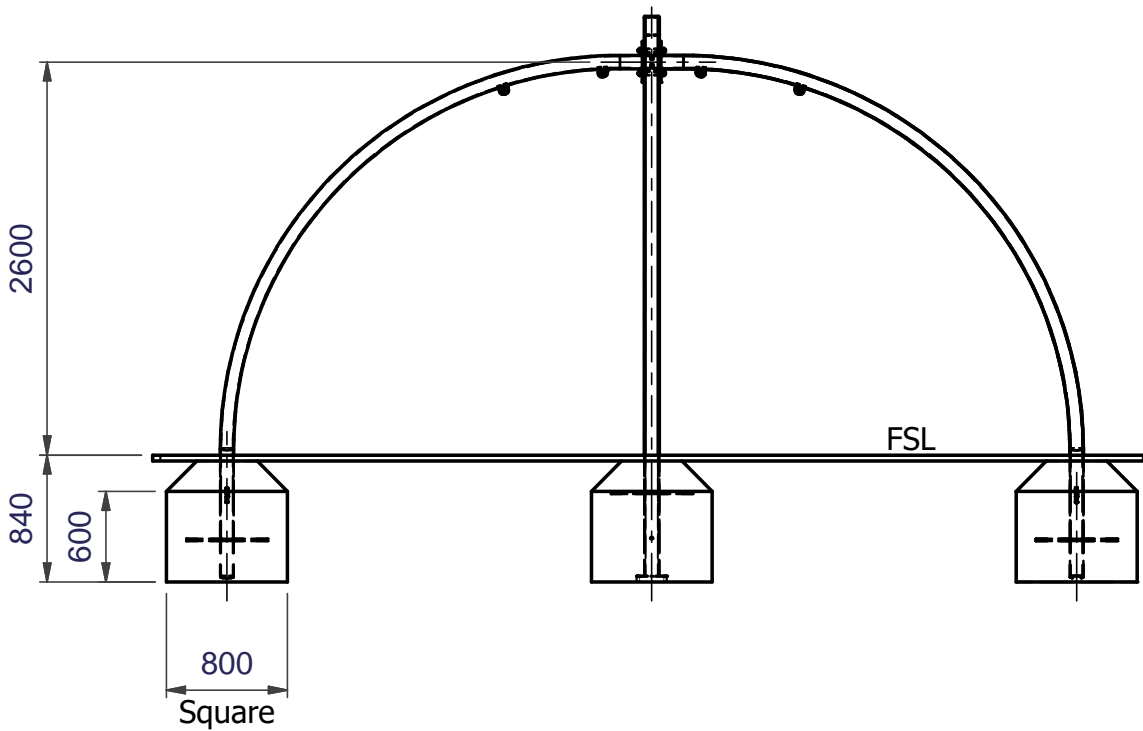
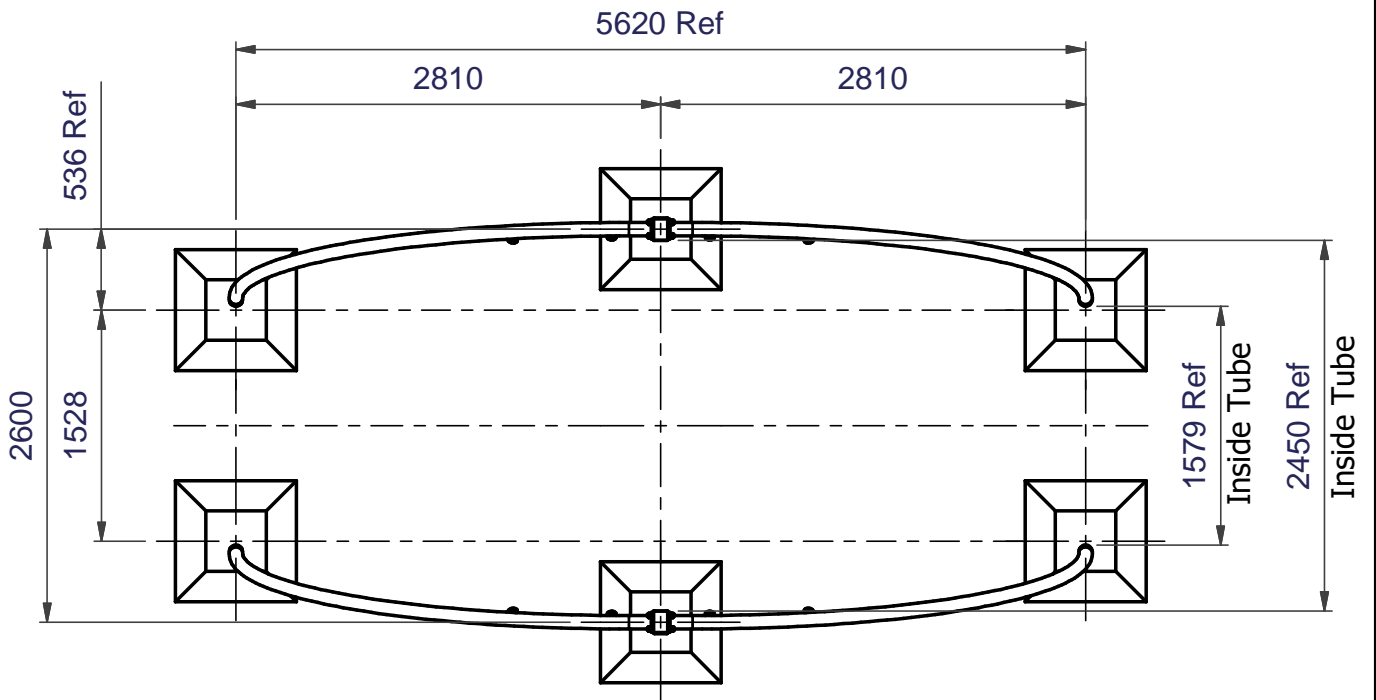
11 Allow concrete to set for 48 hours.

12 Attach chains to the swing frame as shown.

ENSURE ALL INSTALLATION AIDS ARE REMOVED BEFORE FIRST USE

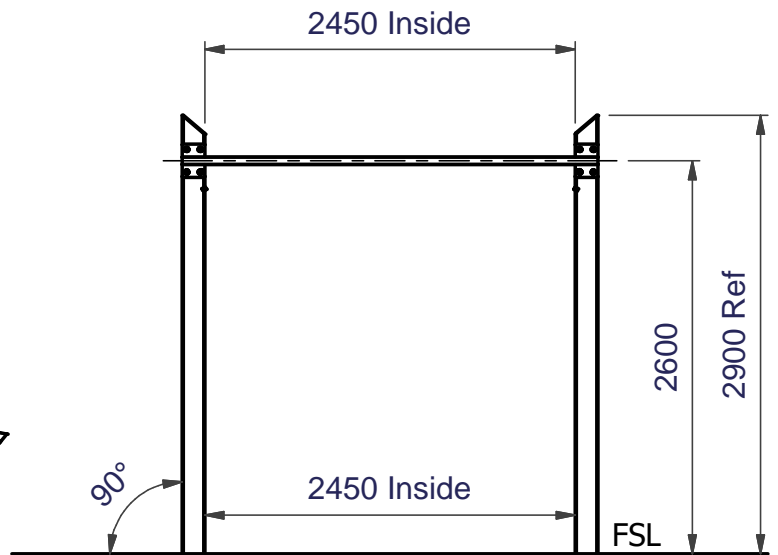
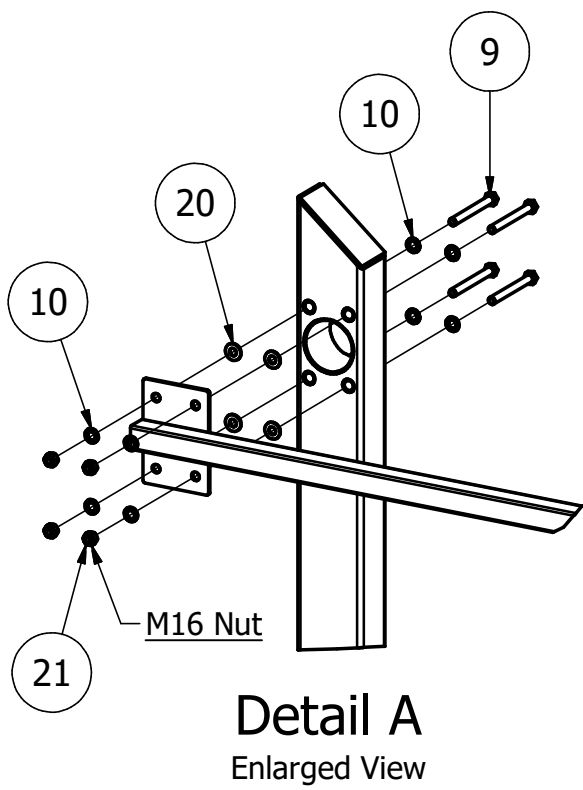
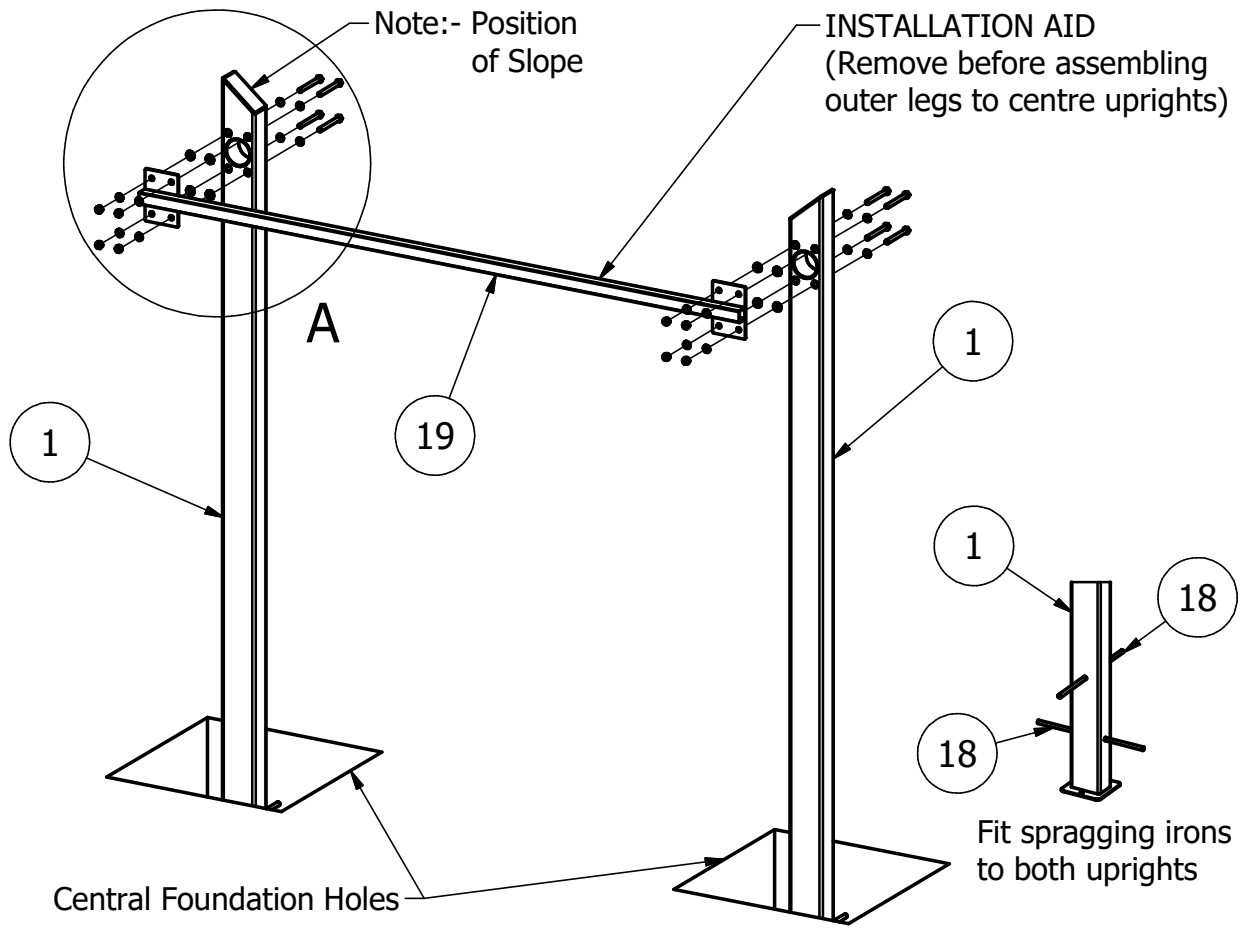
Foundation Detail

(Care must be taken in abnormal conditions)



FSL = Finished Surface Level

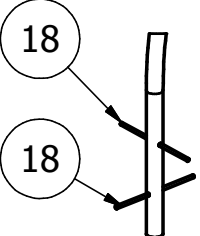
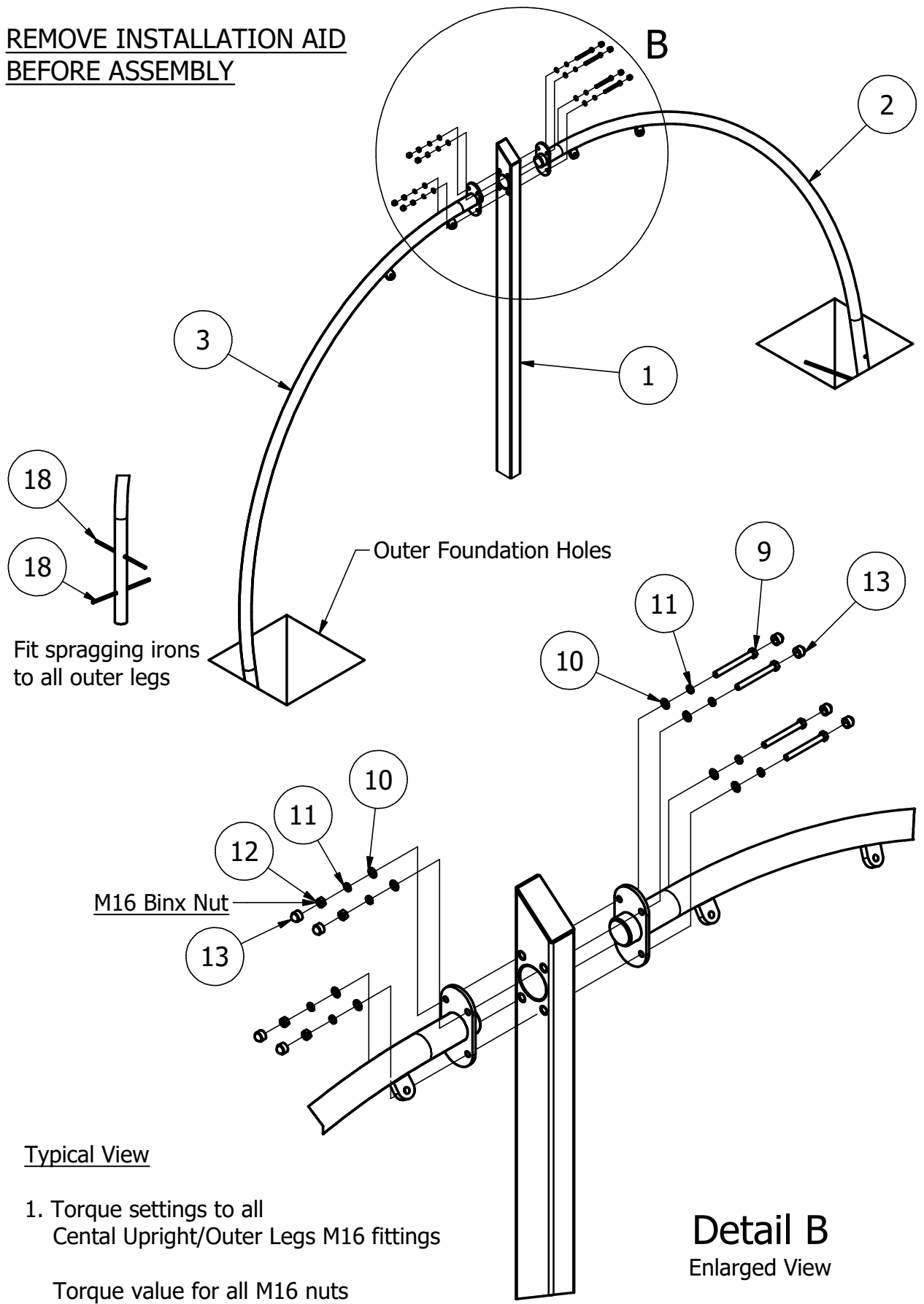
Central Upright Assembly



FSL = Finished Surface Level

Central Upright and Outer Legs Assembly

**REMOVE INSTALLATION AID
BEFORE ASSEMBLY**



Fit spragging irons to all outer legs

Outer Foundation Holes

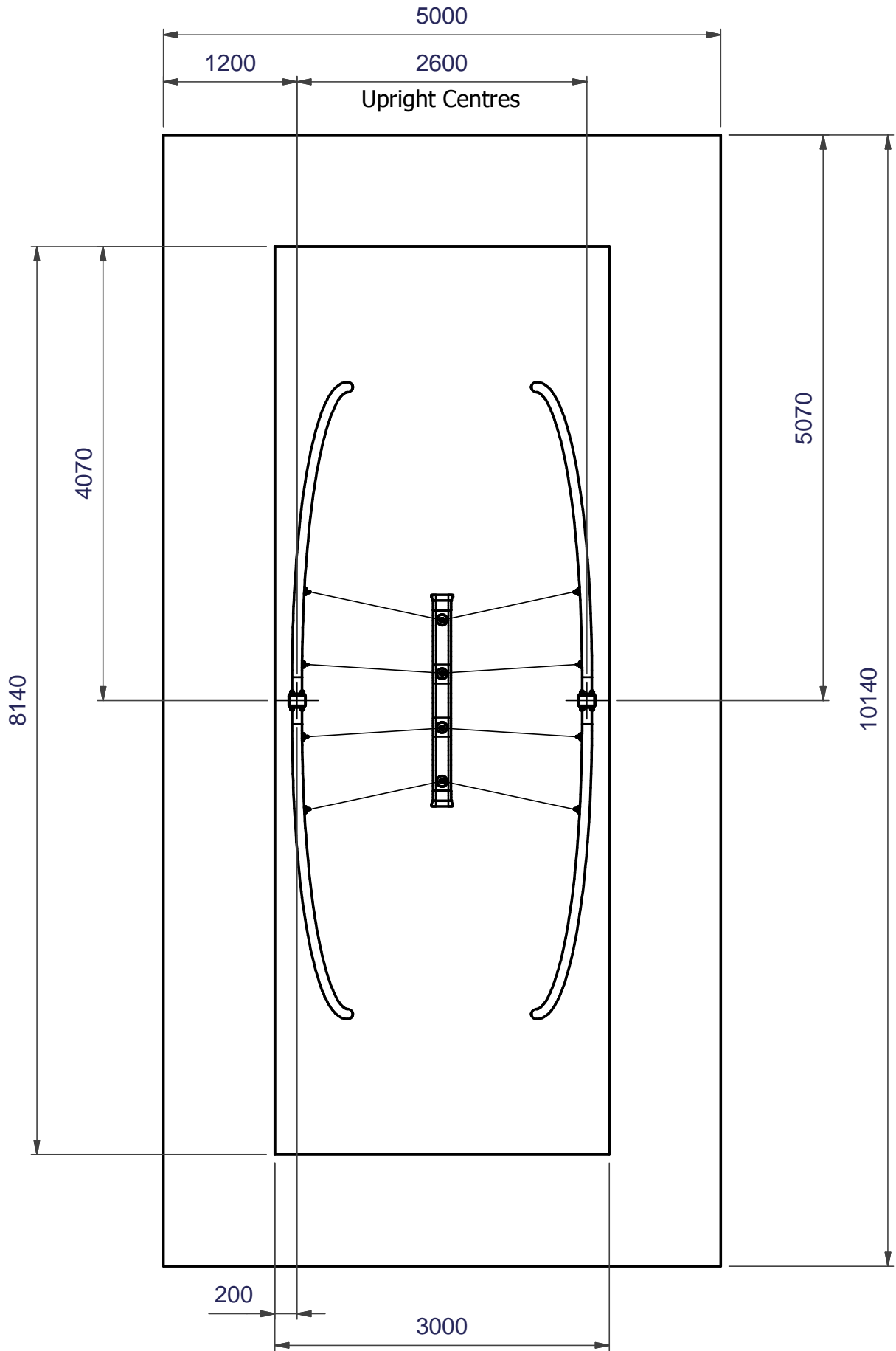
Typical View

1. Torque settings to all Central Upright/Outer Legs M16 fittings

Torque value for all M16 nuts and bolts = 205Nm

Detail B Enlarged View

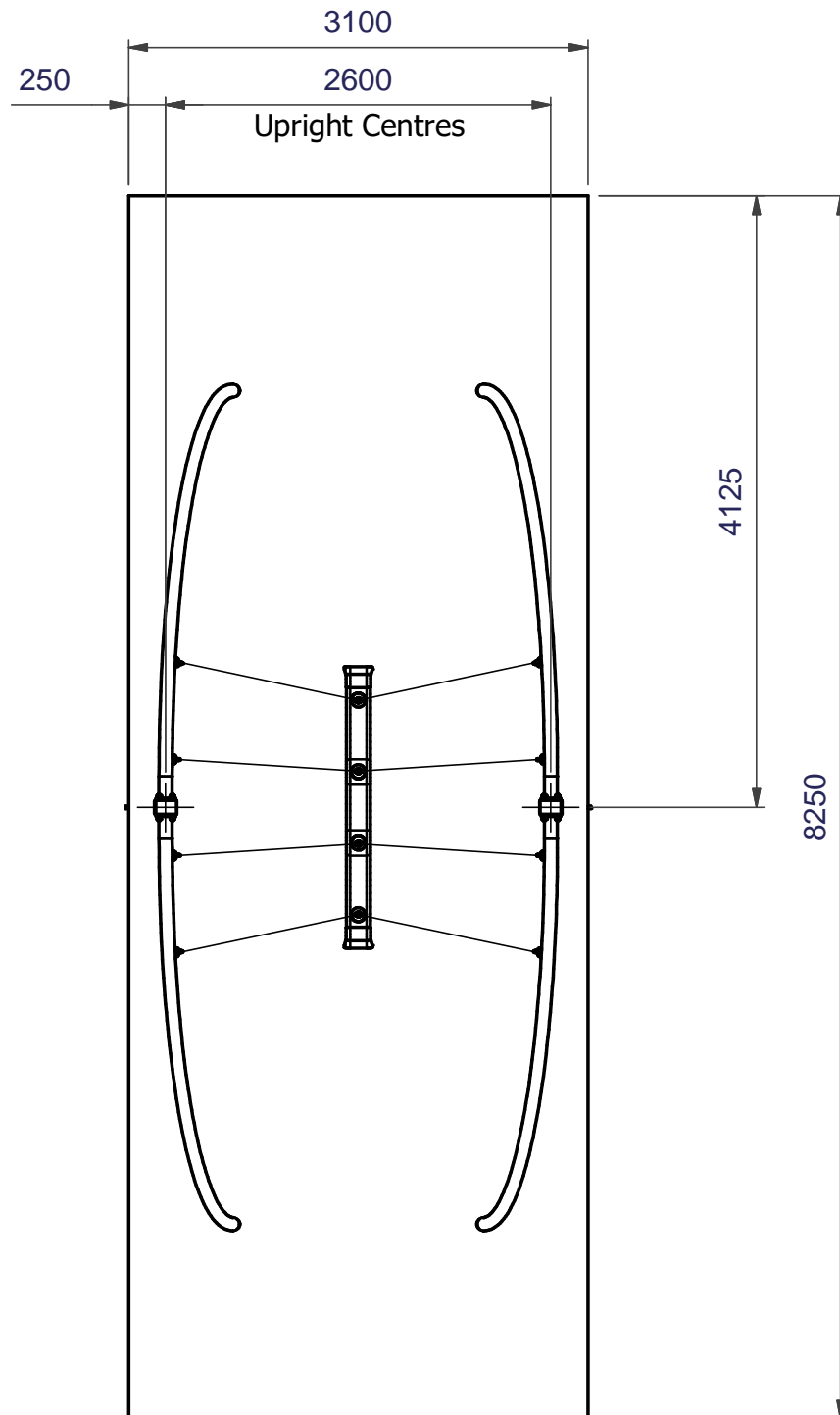
Minimum Space & Separation



Safety Surfacing

Wetpour

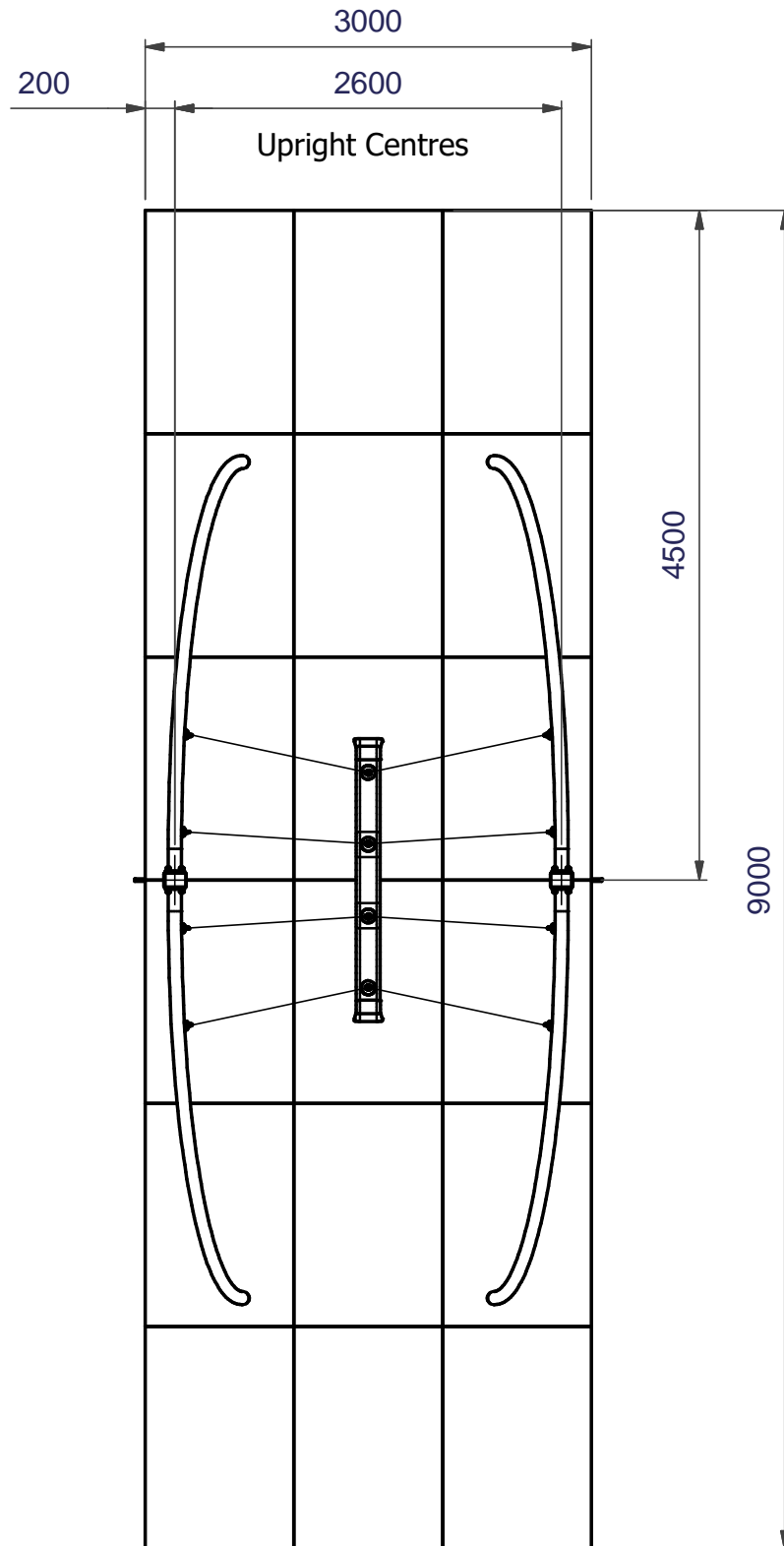
25.5 Sq. Metres 60mm Wetpour
23.0 Linear Metres Wetpour Edging



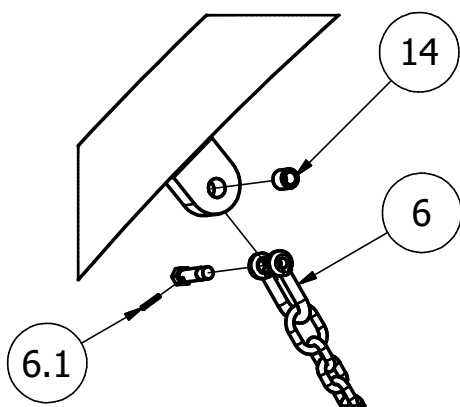
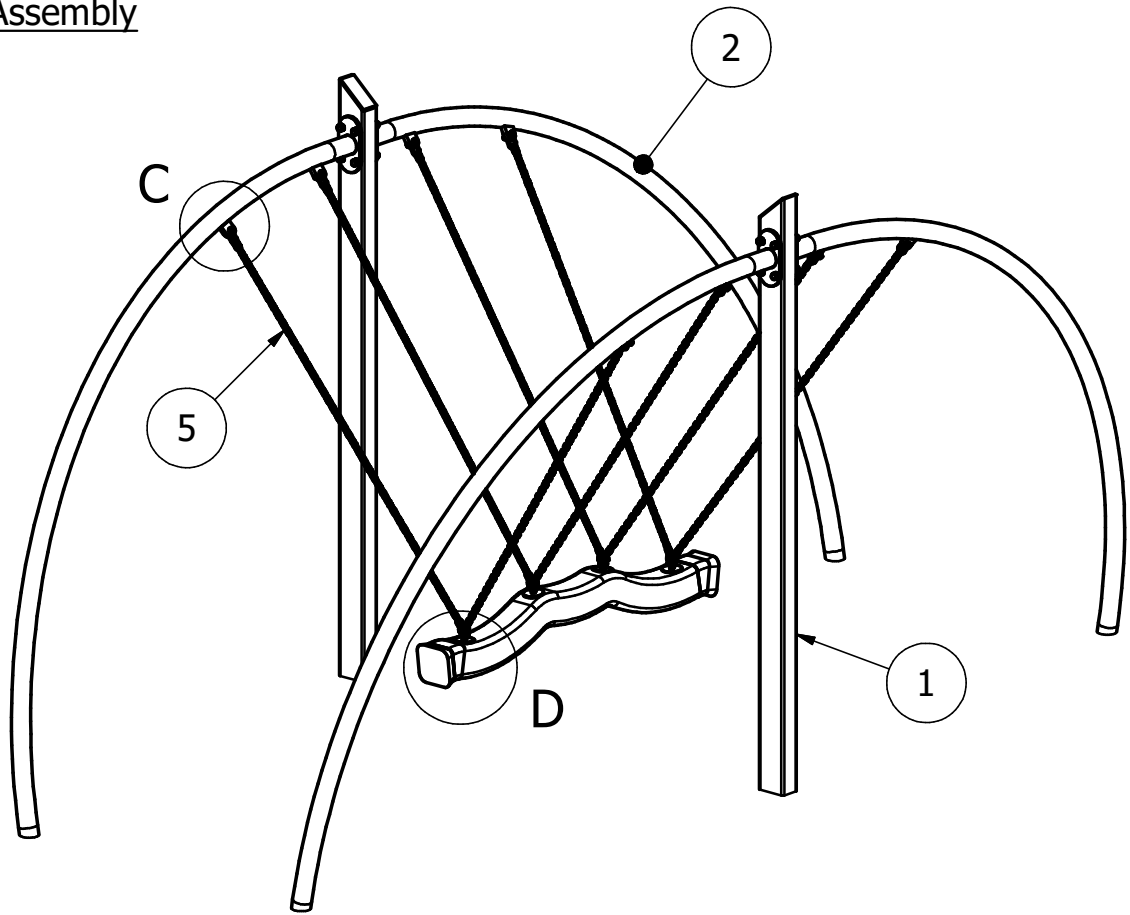
Safety Surfacing

Grass Mats
(1500 x 1000mm)

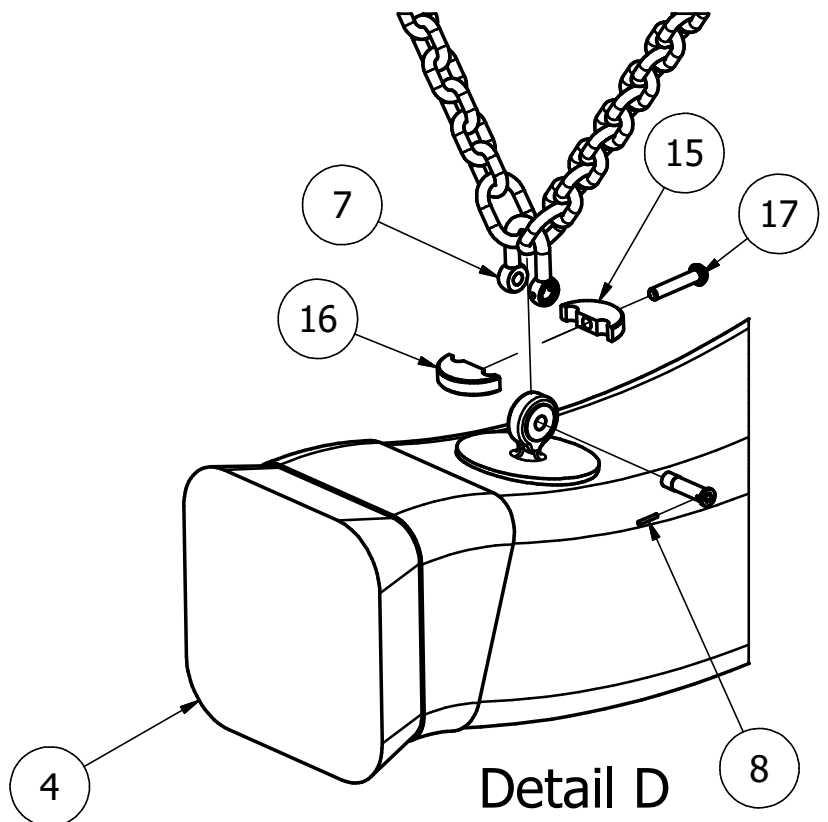
18 off Total



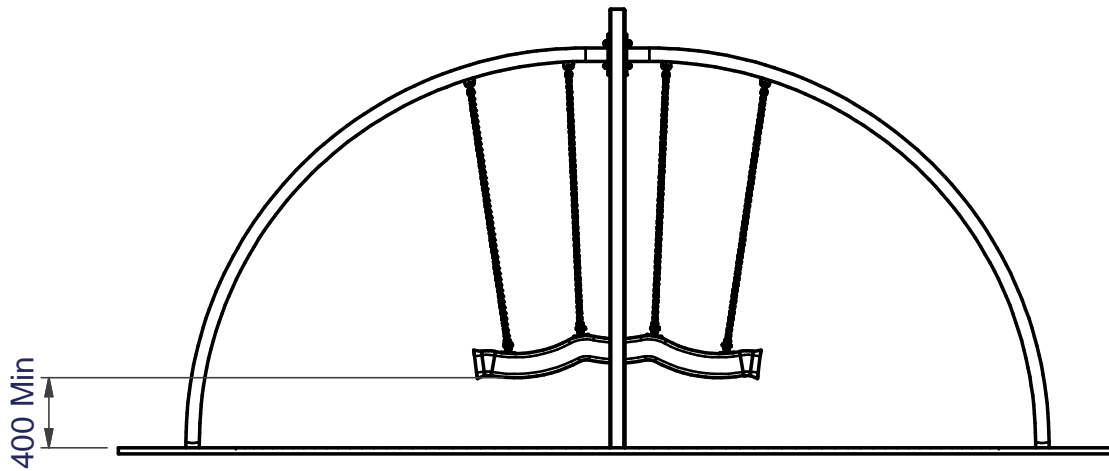
Trio Rope Swing Seat and Chain Assembly to
Frame Assembly



Detail C
Enlarged View



Detail D
Enlarged View



Parts List			
ITEM	QTY	PART NUMBER	DESCRIPTION
1	2	4202-510	Central Tube W.A.
2	2	4202-511	Outer Leg - LH W.A.
3	2	4202-512	Outer Leg - RH W.A.
4	1	2900-123	Trio Rope Swing Seat
5	8	4061-231	Swing Chain
6	8	4064-007	SHACKLE ASSY
6.1	1	2223-009	SELLOK PIN 1/8" x 7/8"
7	4	3621-101	Small 'D' Shackle
8	4	2223-013	DIA 3/32" x 5/8" LG SELLOK PIN
9	8	2185-578	M16 x 150mm Hex HD. HT-10.9
10	16	2215-511	M16 Plain Washer
11	16	2212-205	M16 S/C SPRING WASHER
12	8	2191-020	M16 Binx Nut
13	16	2613-017	M16 Nut Cap
14	8	2511-010	OILITE BUSH CT10
15	4	3730-166	Chain Closer
16	4	3730-167	Chain Closer (M8 Thread)
17	4	2176-155	M8 x 45 Pent Btn Head (Cut Down to 40mm)
18	12	3030-400	Spragging Iron

Installation Aid Parts List			
ITEM	QTY	PART NUMBER	DESCRIPTION
19	1	4202-515	Central Uprights Installation Aid
20	8	2900-041	NEOPRENE WASHER
21	8	2193-010	M16 Nut

COMPILED MC	REV	0	1	2	3					
	ECN	Minor	Minor	Minor	Minor					
DATE: 02/12/15	SIG.	MC	MC	MC	MC					
	DATE:	13/06/16	10/08/17	20/07/18	22/11/18					

FIXINGS LIST

Product: 6040-108 Crusader Rope Swing Date of Issue: 19/11/15

Order No: Issue: A

Item	Unit Qty	Description	Part No.	Checked
		Crusader Rope Swing		
1	8	Shackle Assembly	4064-007	
2	4	Chain Closer	3730-166	
3	4	Chain Closer (M8 Thread)	3730-167	
4	4	Small 'D' Shackle	3621-101	
5	4	Dia 3/32" x 5/8" Lg Sellock Pin	2223-013	
6	4	M8 x 45 Pent Button Head (Cut Down to 40mm)	2176-155	
7	8	M16 x 150mm Hex Head Bolt HT-109	2185-578	
8	16	M16 Plain Washer	2215-511	
9	16	M16 S/C Spring Washer	2212-205	
10	8	M16 Binx Nut	2191-020	
11	16	M16 Nut Cap	2613-017	
12	8	Oilite Bush CT10	2511-010	
		Installation Aid		
13	8	Fixing Washer	2900-041	
14	8	M16 Nut	2193-010	
		Items marked * to be fitted before despatch		

Total No. of Items

Picked By: _____ Checked By: _____

COMPILED BY: MC	REV	0	1			
	ECN No.	1737	Minor			
DATE: 16/06/15	DATE	19/11/2015	11/04/2016			
	SIGN	MC	MC			