

**Foundations:**

- 1 = 300mm x 300mm x 475mm Deep
- 2 = 375mm x 375mm x 375mm Deep
- 3 = 600mm x 375mm x 390mm Deep
- 4 = 700mm x 375mm x 375mm Deep



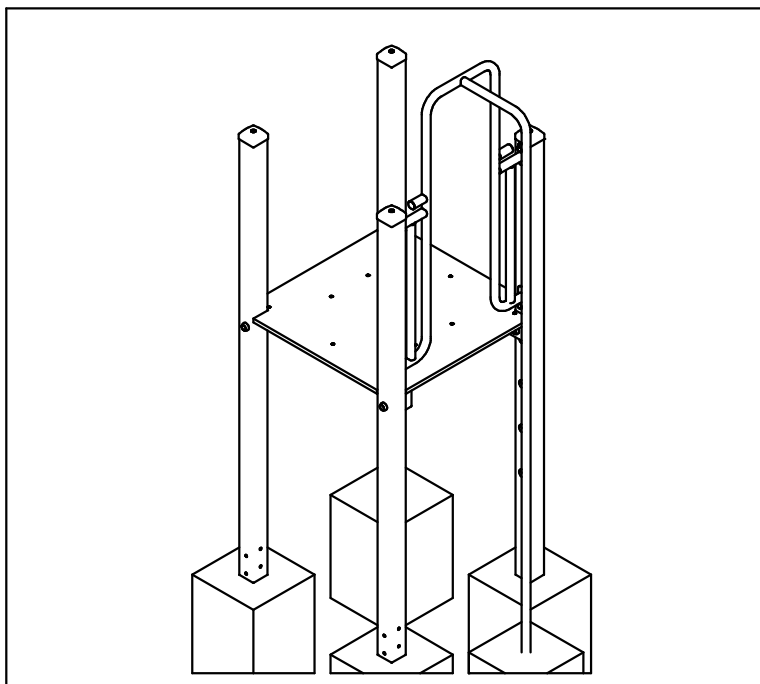
Complied by	DB	ISSUE	0	1									
			ECN	1729	Minor								
Date	15/07/15	DATE	15/07/15	21/11/18									
			SIGN	DB	MC								











<h1>Funland</h1>	
<h2>Firemans Pole</h2>	
PROD. CODE	6185-002
SIZE	810mm L x 472mm W x 3054mm H
AGE RANGE	8 to Adult
F/ FALL HEIGHT	1500mm
HEAVIEST PART	30 Kg
TOTAL WEIGHT	30 Kg
	

### SPECIFICATION

Fixings are corrosion resistant and where exposed are anti-vandal.  
Steel components are zinc coated and polyester powder painted.

### INSTALLATION INSTRUCTIONS

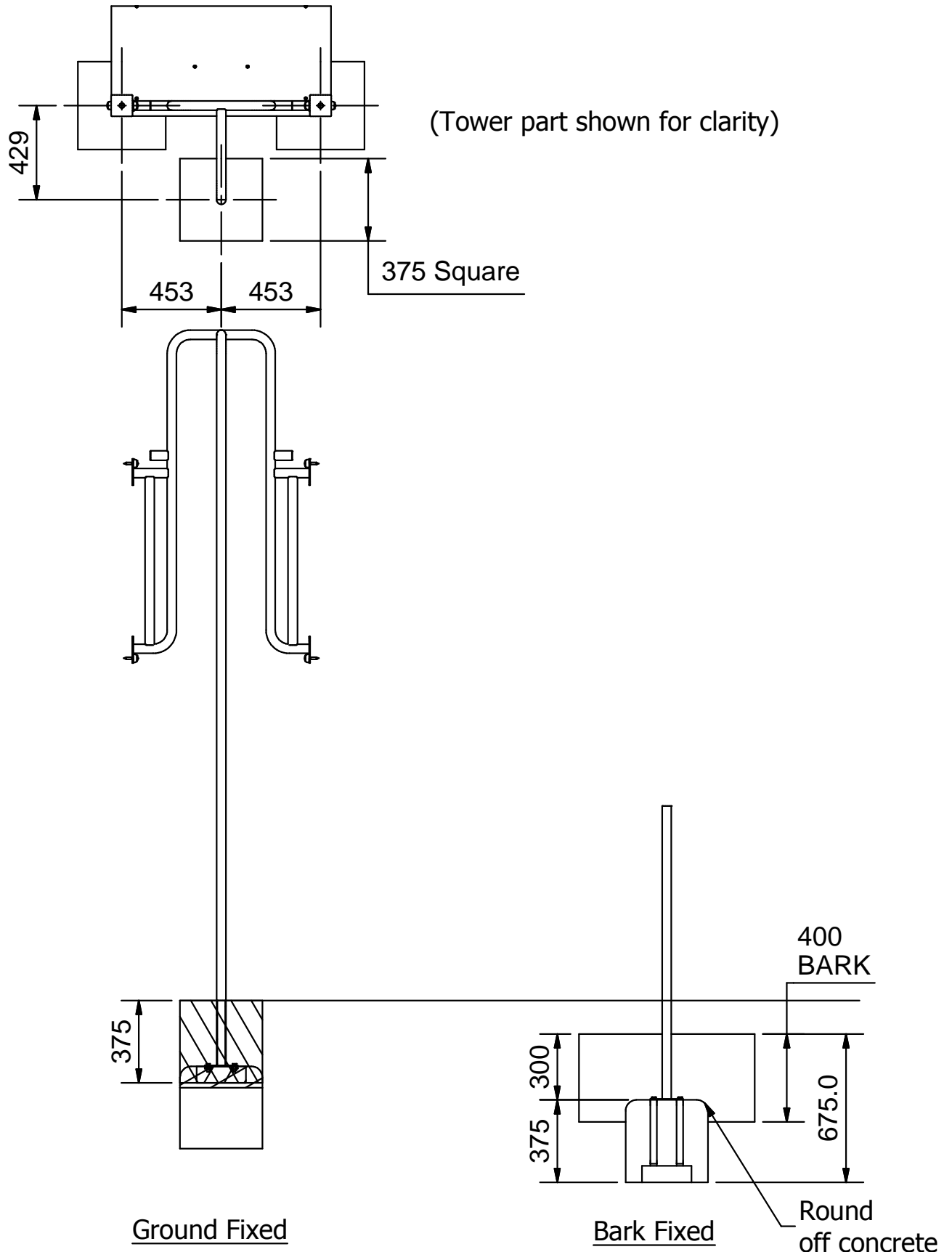
1. Read all instructions thoroughly before commencing installation.
2. Excavate foundation hole as per foundation plan.
3. Place firemans pole into foundation hole ensuring it is at the correct height & orientation.
4. Fix firemans pole to tower using the supplied fixings and check alignment.
5. Backfill foundation holes with concrete (4 parts gravel, 2 parts sand, 1 part cement).
6. Allow concrete to set for 48 hours.

Note

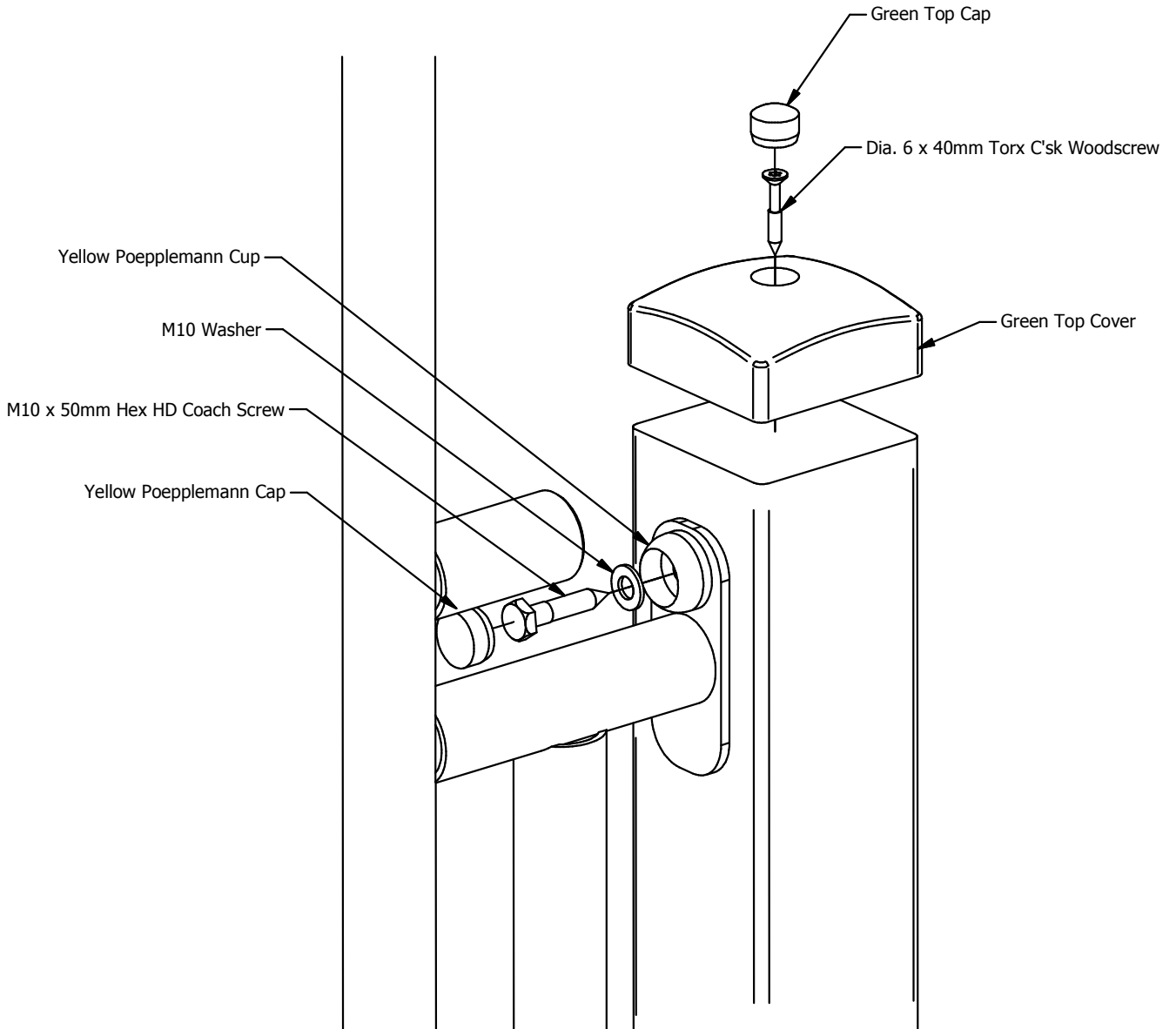
Note Ensure all installation aids are removed before first use!

Foundations

(Care must be taken under abnormal conditions)



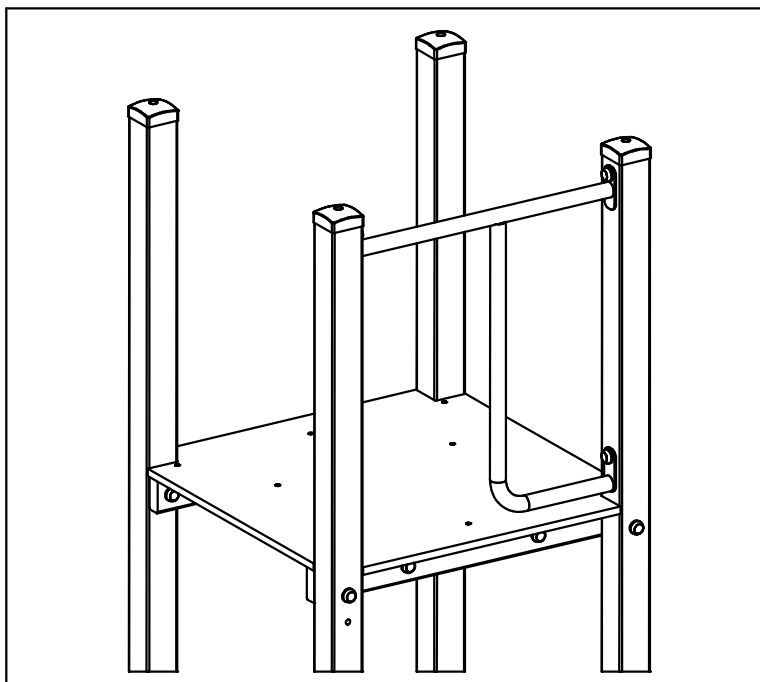
# Firemans Pole Fixings



Parts List			
ITEM	QTY	PART NUMBER	DESCRIPTION
10	2	2193-006	M10 Nut
9	2	2175-116	M10 x 30 LG HEX HD SCREW
8	2	5071-028	Z-SHAPED BELOW GROUND FIXING
5	4	2114-029	M10 x 50 HEX HEAD COACH SCREW
4	4	2215-508	M10 Washer
3	4	2611-029_Cap	Yellow Poepplemann Cap
2	4	2611-029_Cup	Yellow Poepplemann Cup
1	1	4202-213	Firemans Pole

FOR BARK FIX ADD:			
ITEM	QTY	PART NUMBER	DESCRIPTION
8	2	2175-116	M10 x 30 LG HEX HD SCREW
7	2	2193-006	M10 Nut
6	2	5071-028	Z-SHAPED BELOW GROUND FIXING

COMPILED DB	REV	0							
	ECN	1691							
DATE: 11/02/14	SIG.	DB							
	DATE:	07/03/14							



Funland	
Tower Guard Rail	
PROD. CODE	6185-004
SIZE	810mm W x 930mm H
AGE RANGE	8 to Adult
F/ FALL HEIGHT	1500mm
HEAVIEST PART	7 Kg
TOTAL WEIGHT	7 Kg
 WICKSTEED playscopes	

### SPECIFICATION

Fixings are corrosion resistant and where exposed are anti-vandal.  
Steel components are zinc coated and polyester powder painted.

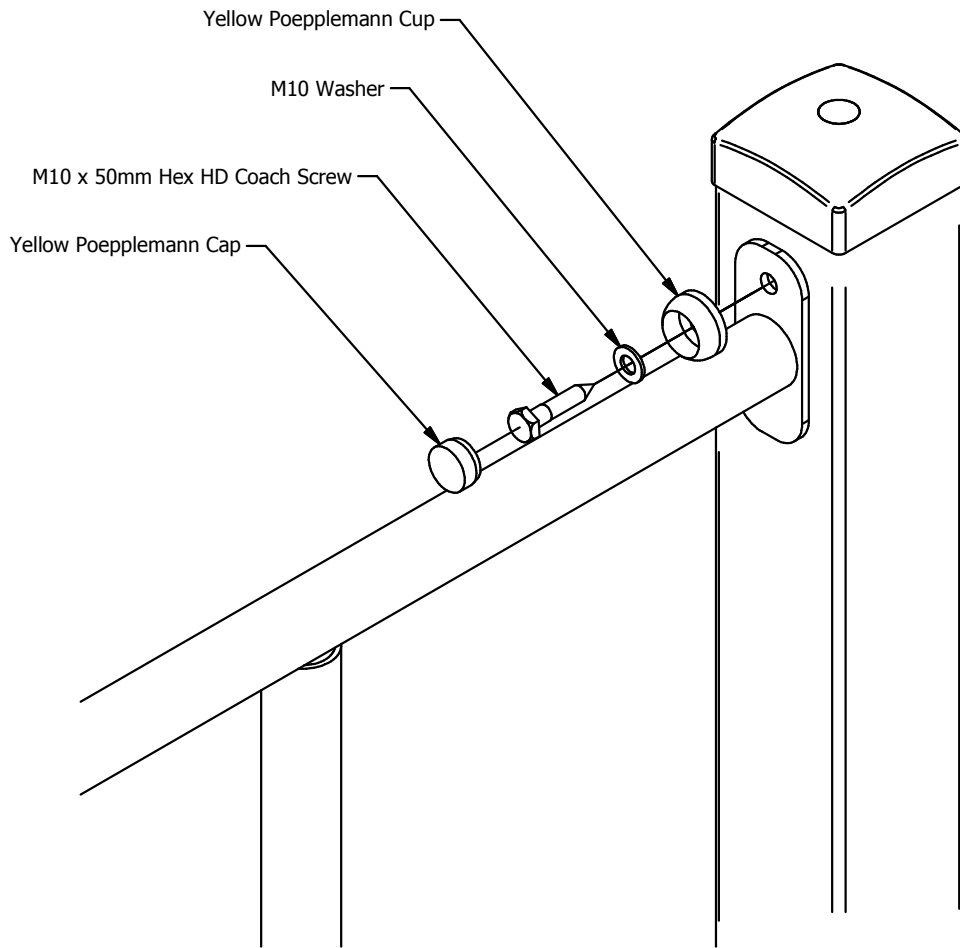
### INSTALLATION INSTRUCTIONS

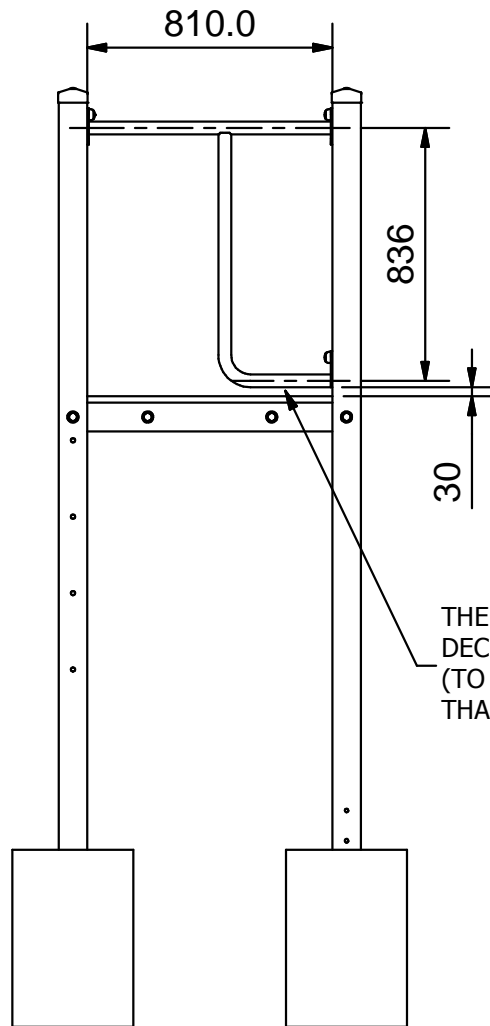
1. Read all instructions thoroughly before commencing installation.
2. Position tower barrier between uprights and loosely fit.
3. Ensure the correct clearance gap is achieved between the deck & base tube of barrier.
4. Tighten all fixings.

Note

Note Ensure all installation aids are removed before first use!

# Guardrail Fixings

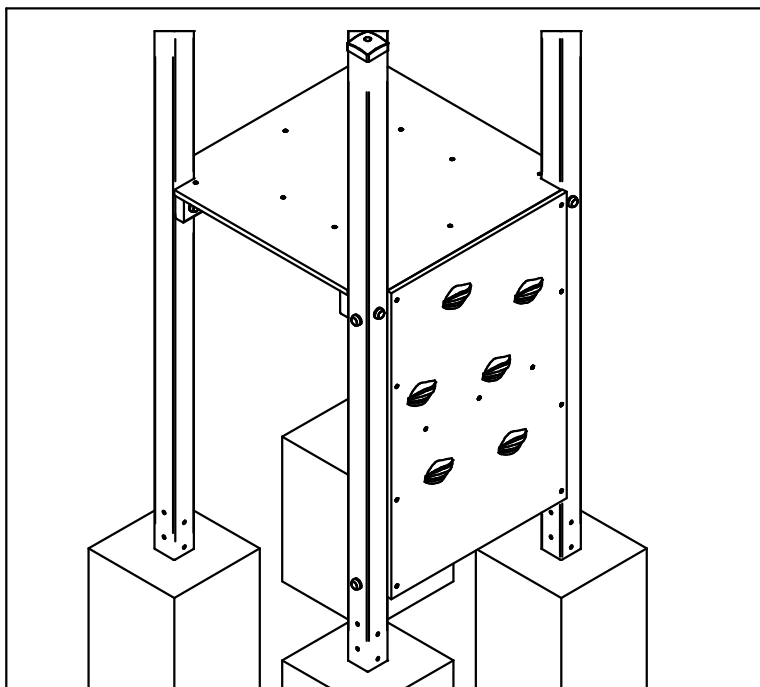




THE GAP BETWEEN THE TUBE AND DECK MUST BE MORE THAN 26mm (TO AVOID FINGER TRAP) & LESS THAN 44mm (TO AVOID NECK TRAP)

5	3	2114-029	M10 x 50 HEX HEAD COACH SCREW
4	3	2215-508	M10 Washer
3	3	2611-029_Cap	Yellow Poepplemann Cap
2	3	2611-029_Cup	Yellow Poepplemann Cup
1	1	4202-231	Handrail Assy
ITEM	QTY	PART NUMBER	DESCRIPTION

COMPILED DB	REV	0	1						
	ECN	1691	Minor						
DATE: 12/02/14	SIG.	DB	DB						
	DATE:	07/03/14	25/11/15						



<b>Funland</b>	
<b>Climbing Wall</b>	
PROD. CODE	6185-005
SIZE	820mm L x 120mm W x 1490mm H
AGE RANGE	8 to Adult
F/ FALL HEIGHT	1500mm
HEAVIEST PART	14 Kg Approx
TOTAL WEIGHT	28 Kg Approx
	

### SPECIFICATION

Wooden posts are laminated, all timber is from European pine and is protected against rot. Fixings are corrosion resistant and where exposed are anti-vandal. Steel components are zinc coated and polyester powder painted.

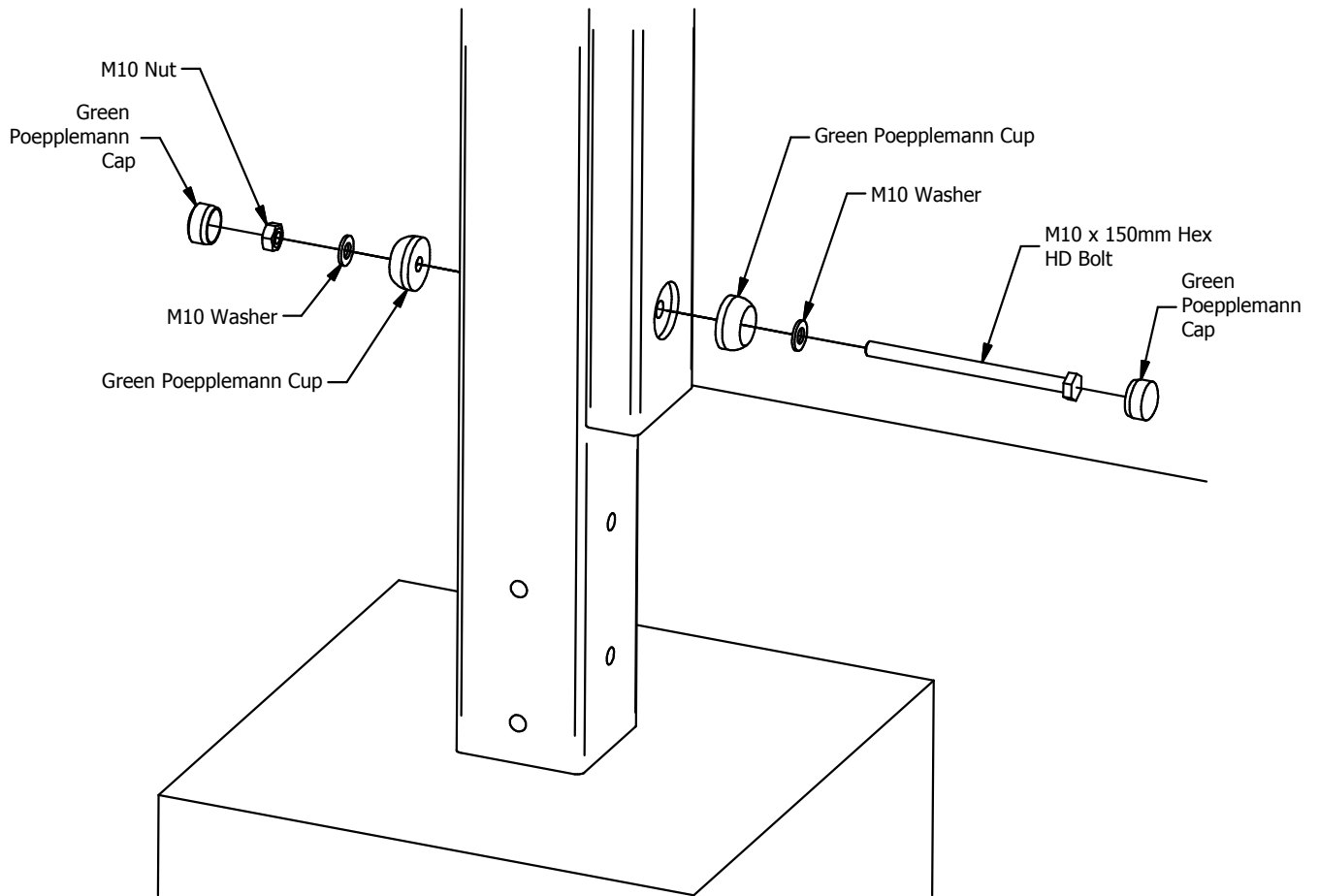
### INSTALLATION INSTRUCTIONS

1. Read all instructions thoroughly before commencing installation.
3. Position climbing wall against tower and loosely fit.
4. Check climbing wall sits correctly on unit and tighten all fixings.

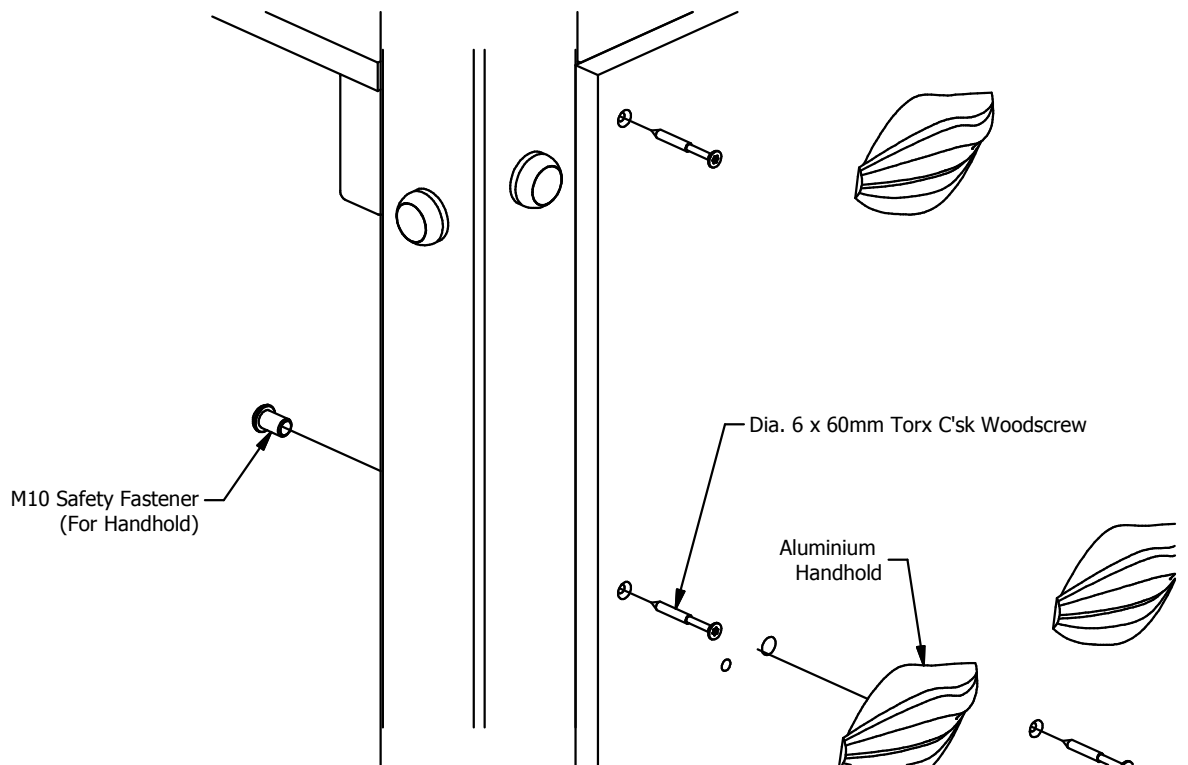
Note

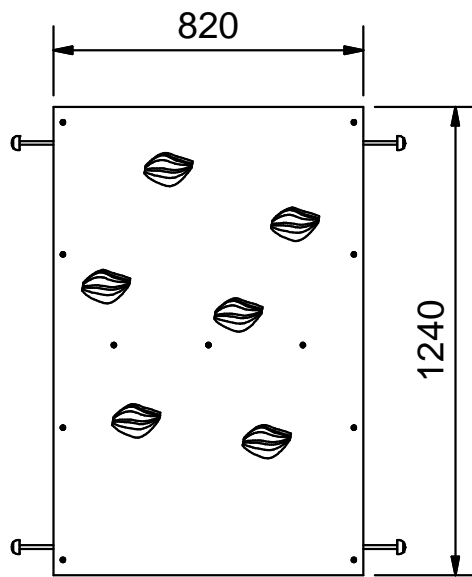
Note Ensure all installation aids are removed before first use!

## Climbing Wall To Tower Fixings



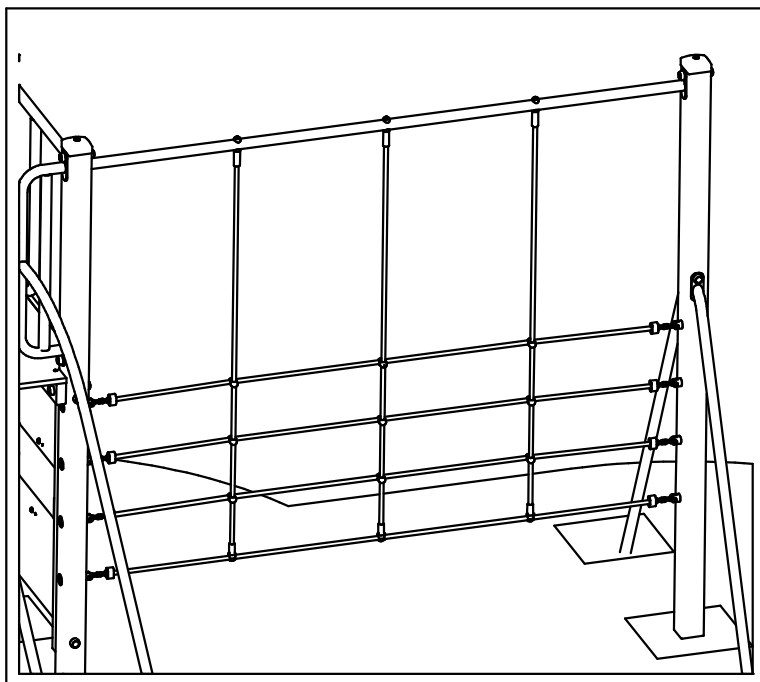
## Panel & Handhold Fixings





14	4	2193-006	M10 Nut
13	4	2185-050	M10 x 150 Hex Head Bolt
12	8	2611-033_Cup	Green Poeppelmann Cup
11	8	2611-033_Cap	Green Poeppelmann Cap
10	11	2111-142	Ø6 x 60 Torx c'sunk woodscrew
9	2	2114-027	M10 x 80 HEX HEAD COACH SCREW
8	6	2177-002	M10 Safety Fastener
7	10	2215-508	M10 Washer
4	1	3720-152	Climbing Wall Board
3	2	3720-153	Climbing Wall Support
2	1	3720-154	Climbing Wall Cross Brace
1	6	80144-03	Aluminium Handhold
ITEM	QTY	PART NUMBER	DESCRIPTION

COMPILED DB	REV	0							
	ECN	1691							
DATE: 12/02/14	SIG.	DB							
	DATE:	07/03/14							



<h1>Funland</h1>	
<h2>Climbing Net</h2>	
PROD. CODE	6185-007
SIZE	2500mm L x 1820mm H
AGE RANGE	8 to Adult
F/ FALL HEIGHT	1500mm
HEAVIEST PART	8 Kg Approx
TOTAL WEIGHT	16 Kg Approx
	

### SPECIFICATION

Steel components are zinc coated and polyester powder painted.  
 Ropes are steel-cored nylon braded with aluminium or plastic fittings.  
 Fixings are corrosion resistant and where exposed are anti vandal.  
 Stainless steel parts are corrosion resistant and polished.

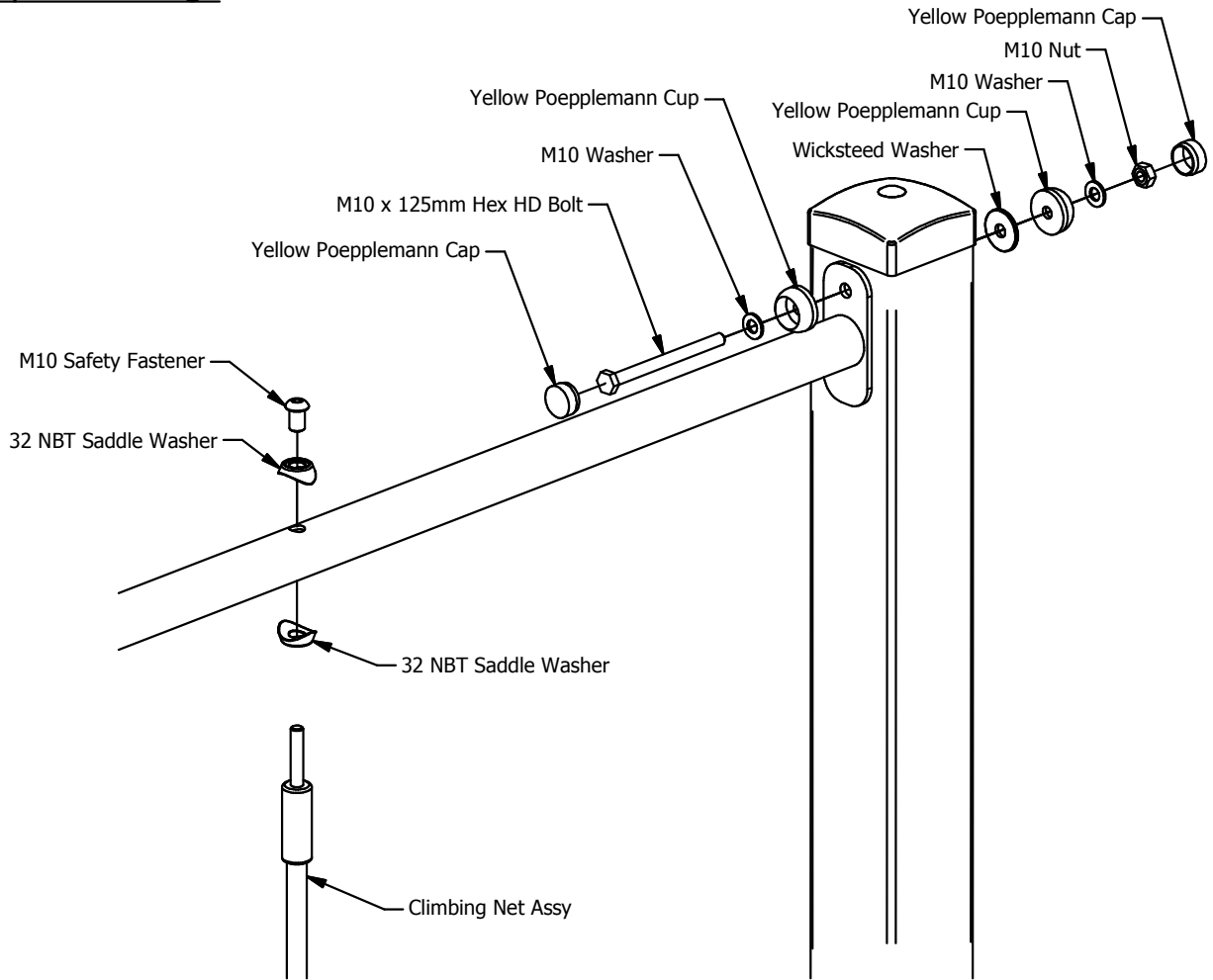
### INSTALLATION INSTRUCTIONS

1. Read all instructions thoroughly before commencing installation.
2. Fix steel bar between uprights.
3. Attach rope net loosely to steel bar and tower uprights.
4. Check rope sits correctly on unit and tighten all fixings.

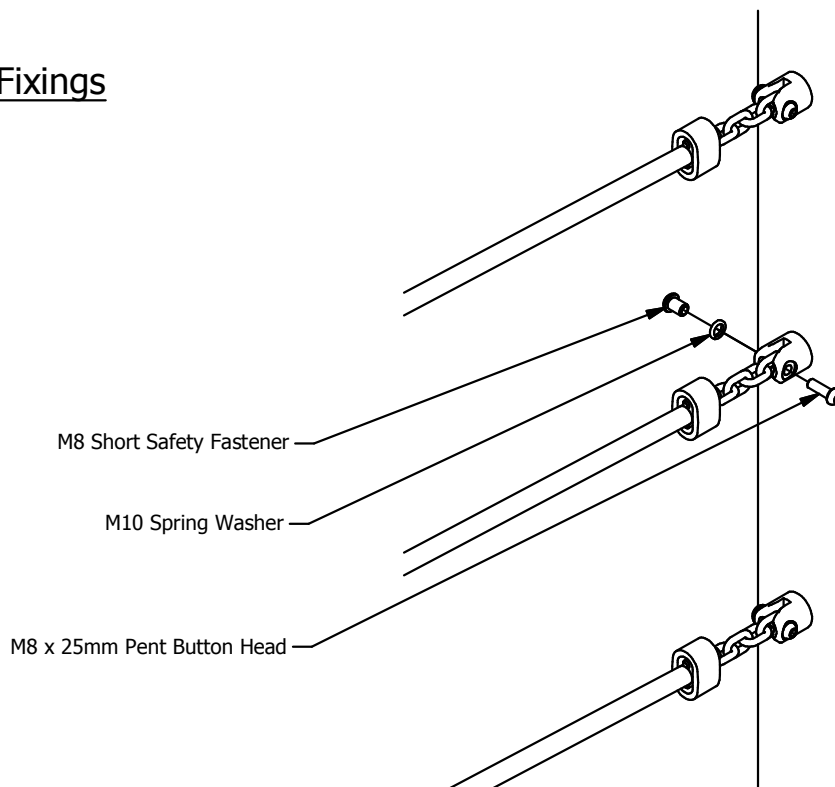
Note

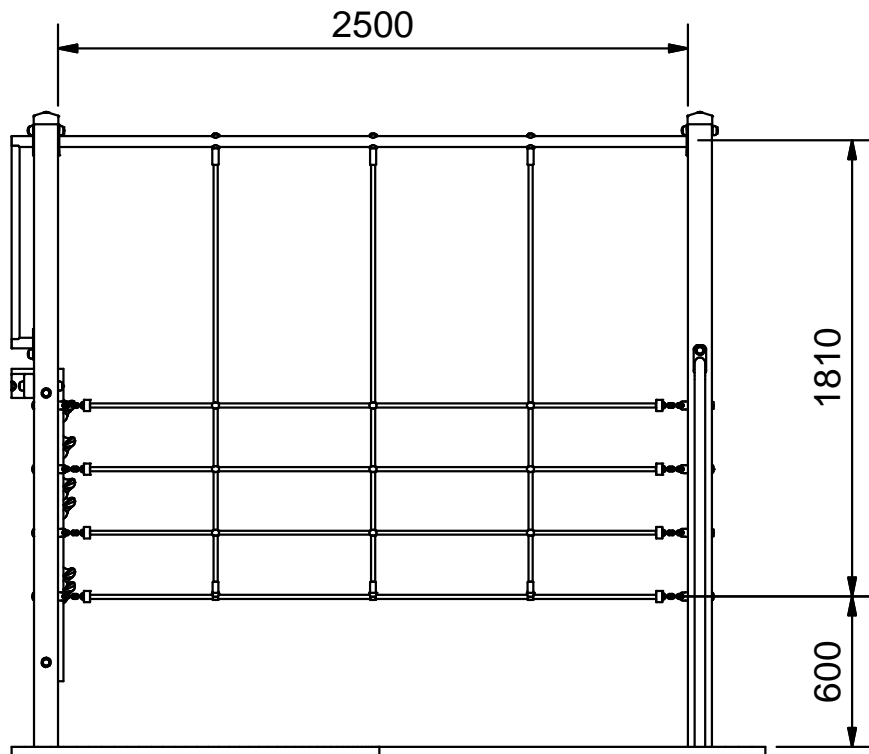
Note Ensure all installation aids are removed before first use!

## Top Rail Fixings



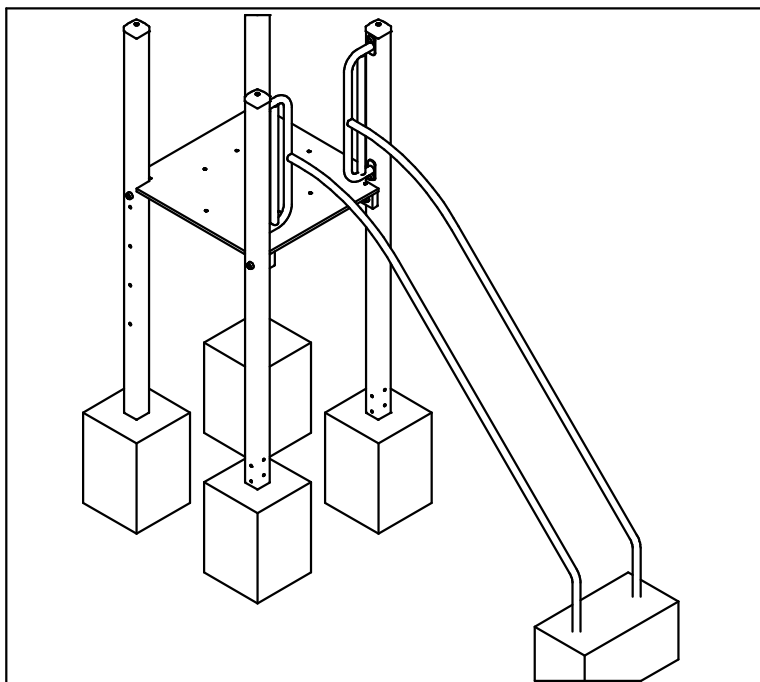
## Side Fixings





19	8	2176-152	M8 x 25 Pent Button Head
18	3	2177-002	M10 Safety Fastener
17	8	2177-004	M8 Short Safety Fastener
16	2	2185-051	M10 x 125 Hex Head Bolt
15	8	2191-011	M12 Binx Nut
14	2	2193-006	M10 Nut
13	8	2212-203	M10 Spring Washer
12	4	2215-508	M10 Washer
11	8	2215-509	M12 Plain Washer
10	1	2215-519	Wicksteed Washer
9	8	2611-029_Cap	Yellow Poepplemann Cap
8	8	2611-029_Cup	Yellow Poepplemann Cup
7	4	2611-033_Cap	Green Poepplemann Cap
6	4	2611-033_Cup	Green Poepplemann Cup
5	8	3030-274	CHAIN BOLT HEAD
4	8	3033-046	M12 x 110mm Stud
3	6	3711-051	32 NBT SADDLE WASHER
2	1	4141-149	Climbing Net
1	1	4202-233	Net Support Rail Assembly
ITEM	QTY	PART NUMBER	DESCRIPTION

COMPILED DB	REV	0							
	ECN	1691							
DATE: 12/02/14	SIG.	DB							
	DATE:	07/03/14							



<h1>Funland</h1>	
<h2>Bannister Slide</h2>	
PROD. CODE	6185-008
SIZE	2203mm L x 810mm W x 2424mm H
AGE RANGE	8 to Adult
F/ FALL HEIGHT	1500mm
HEAVIEST PART	18 Kg Approx
TOTAL WEIGHT	18 Kg Approx
	

### SPECIFICATION

Fixings are corrosion resistant and where exposed are anti-vandal.  
Steel components are zinc coated and polyester powder painted.

### INSTALLATION INSTRUCTIONS

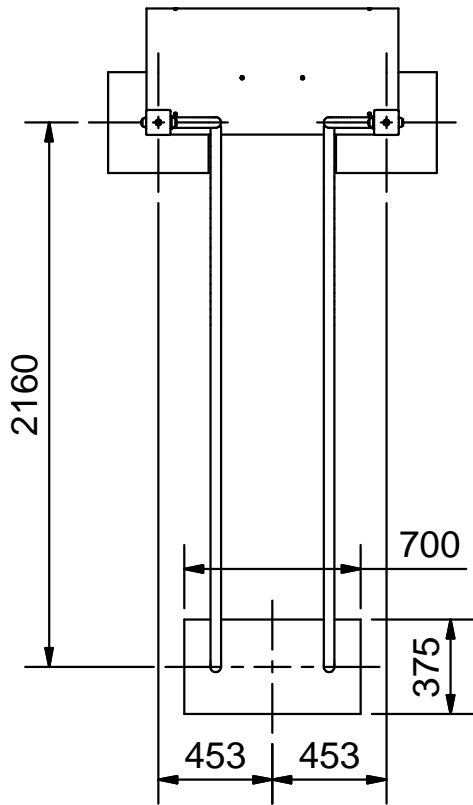
1. Read all instructions thoroughly before commencing installation.
2. Excavate foundation hole as per foundation plan.
3. Place bannister slide into foundation hole ensuring it is at the correct height & orientation.
4. Fix bannister slide to tower using the supplied fixings and check alignment.
5. Backfill foundation holes with concrete (4 parts gravel, 2 parts sand, 1 part cement).
6. Allow concrete to set for 48 hours.

Note

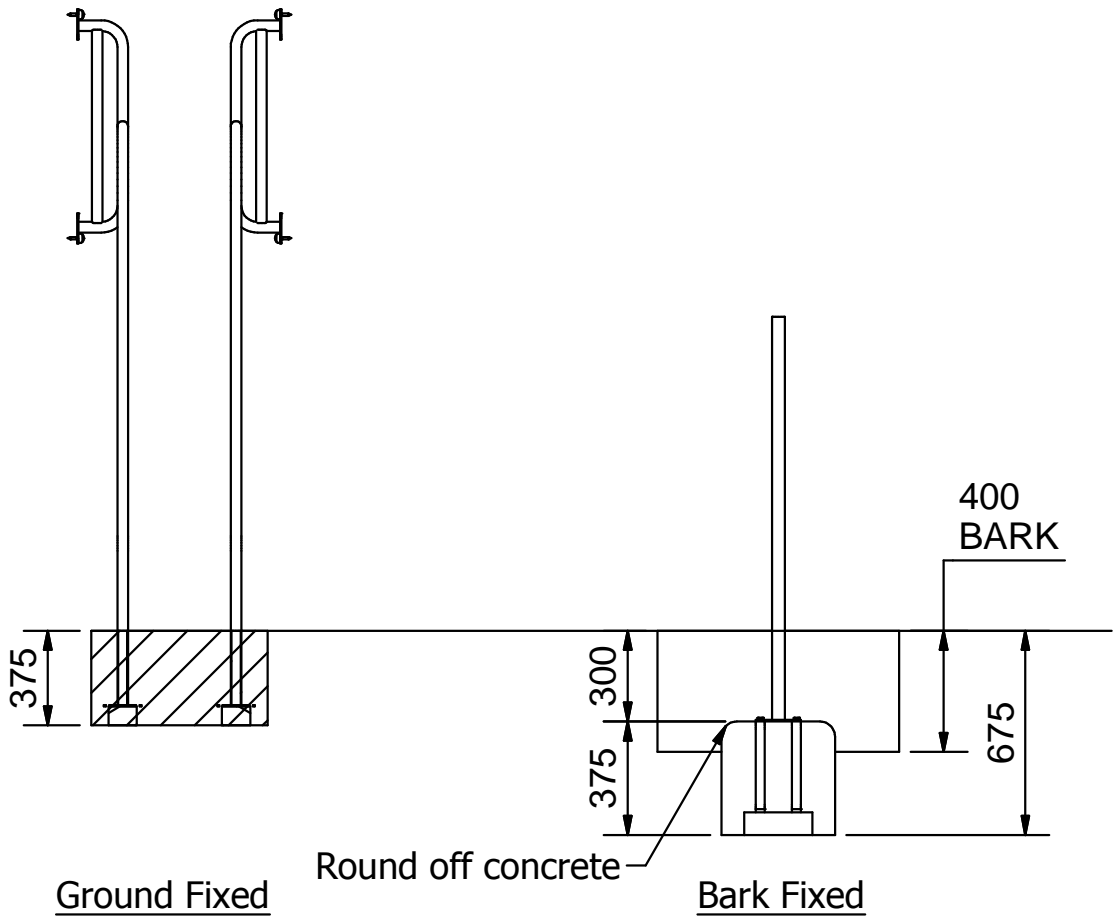
Note Ensure all installation aids are removed before first use!

Foundations

(Care must be taken under abnormal conditions)



(Tower part shown for clarity)

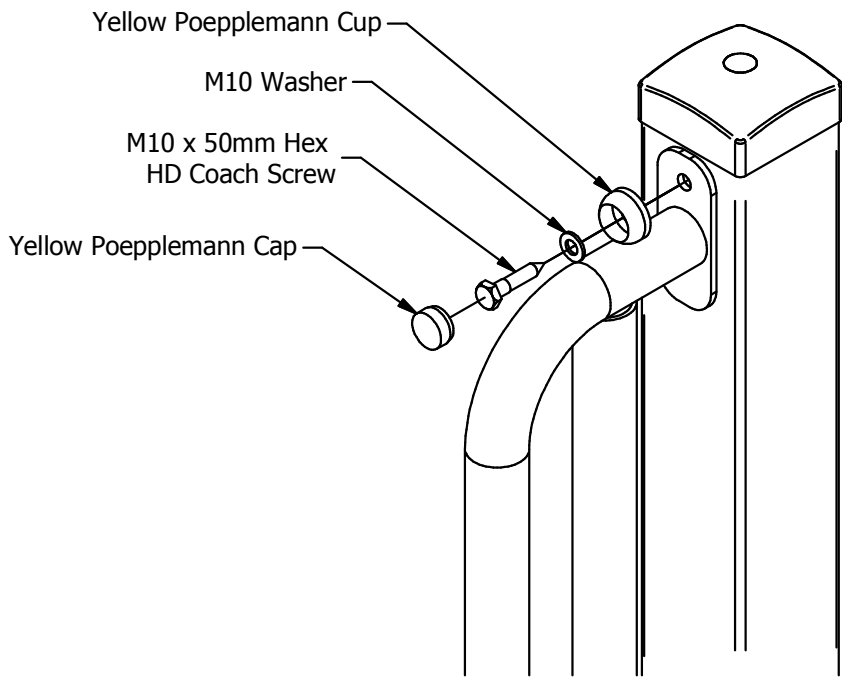


Ground Fixed

Round off concrete

Bark Fixed

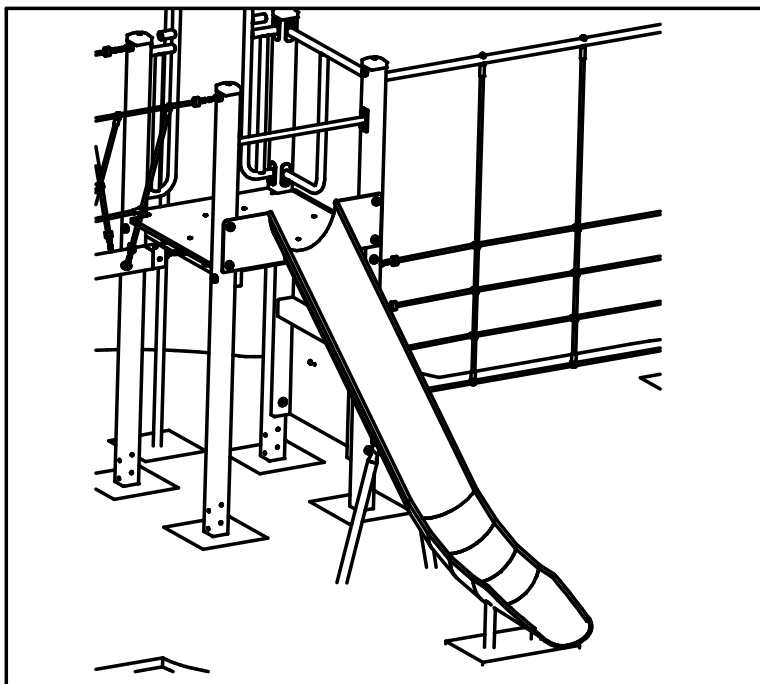
Fixing Detail  
Slide Rail To Tower




PARTS LIST			
ITEM	QTY	PART NUMBER	DESCRIPTION
6	4	2114-029	M10 x 50 HEX HEAD COACH SCREW
5	4	2215-508	M10 Washer
4	4	2611-029_Cap	Yellow Poepplemann Cap
3	4	2611-029_Cup	Yellow Poepplemann Cup
2	1	4202-235	LH Bannister Assembly
1	1	4202-236	RH Bannister Assembly

FOR BARK FIX ADD:			
ITEM	QTY	PART NUMBER	DESCRIPTION
9	4	2193-006	M10 Nut
8	4	2175-116	M10 x 30 LG HEX HD SCREW
7	4	5071-028	Z-SHAPED BELOW GROUND FIXING

COMPILED DB	REV	0							
	ECN	1691							
DATE: 11/02/14	SIG.	DB							
	DATE:	07/03/14							



Funland	
Gala Slide	
PROD. CODE	6185-011
SIZE	2780mm L x 980mm W x 2250mm H
AGE RANGE	8 to Adult
F/ FALL HEIGHT	1500mm
HEAVIEST PART	57 Kg Approx
TOTAL WEIGHT	70 Kg Approx
	

### SPECIFICATION

Solid steel to BS 970 Part 1.  
 Nominal bore tube (medium) to BS 1387.  
 Stainless steel tube to ISO 4200.  
 Stainless steel plate to BS 1449 Part 2.  
 Welds are from copper free wire to BS EN 440.

Low lead polyester powder paint to BS 71 part 3.  
 Standard fixings are made to either BS 3692 or BS 4190.  
 Non standard fixings are anti-vandal and corrosion resistant.

### INSTALLATION INSTRUCTIONS

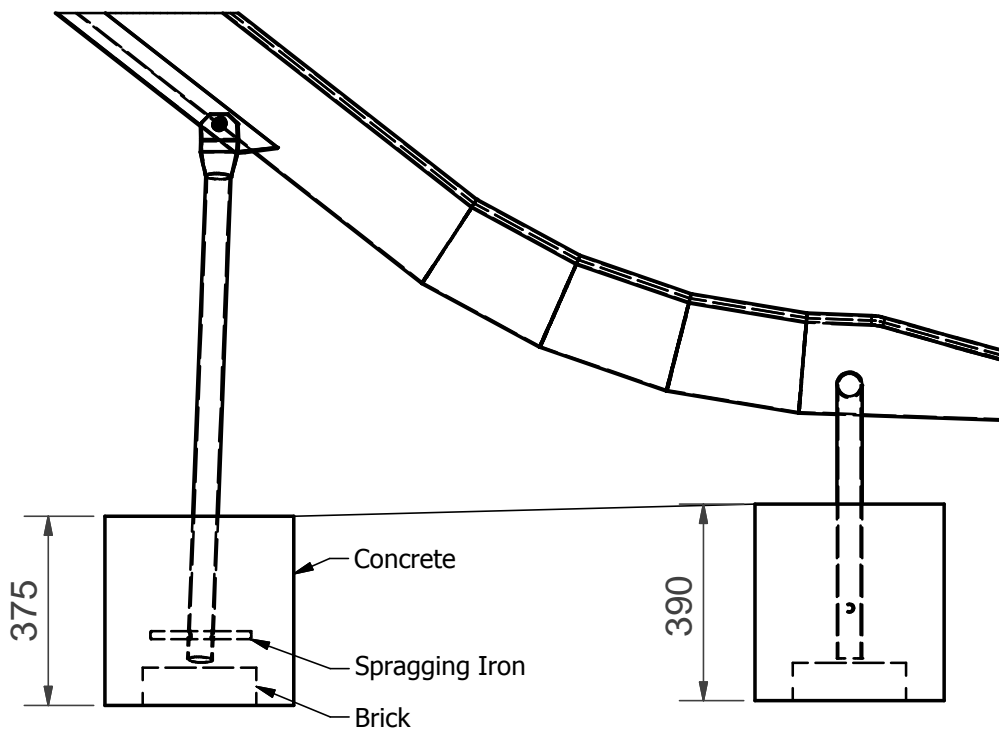
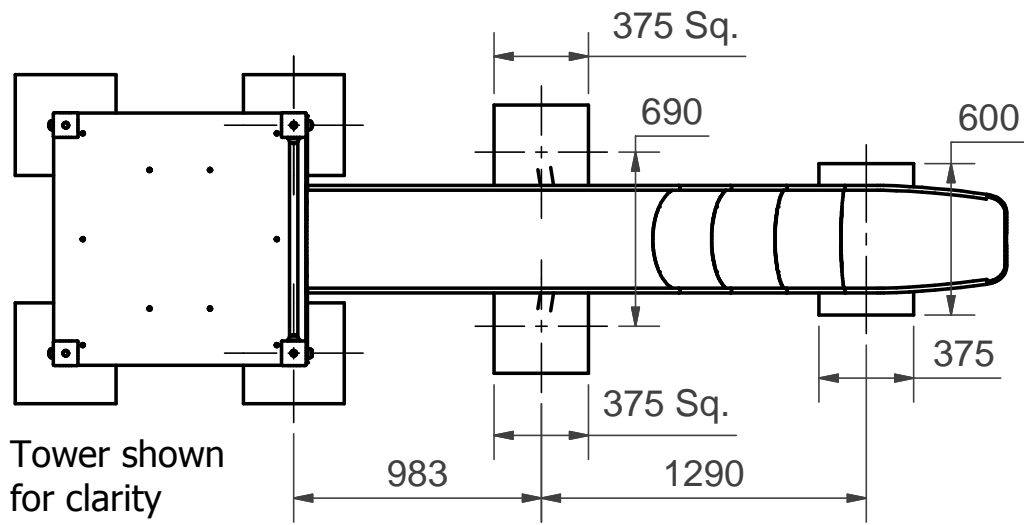
1. Read instructions thoroughly before commencing installation of unit.
2. Excavate foundation holes as shown on the foundation plan.
3. Attach legs to chute and position in place.
4. Attach slide loosely to tower.
5. Check slide is at the correct height & position.
6. Tighten all fixings and concrete foundations (4 parts gravel, 2 parts sand, 1 part cement).
7. Allow concrete to set for a period of 48 hours.
8. Re-tighten all fixings.

**Note** In accordance with 6.1.3 EN1176-1:2008 we recommend that slides do not face south or near due south due to heat build up.

**Note** All installation aids to be removed before first use!

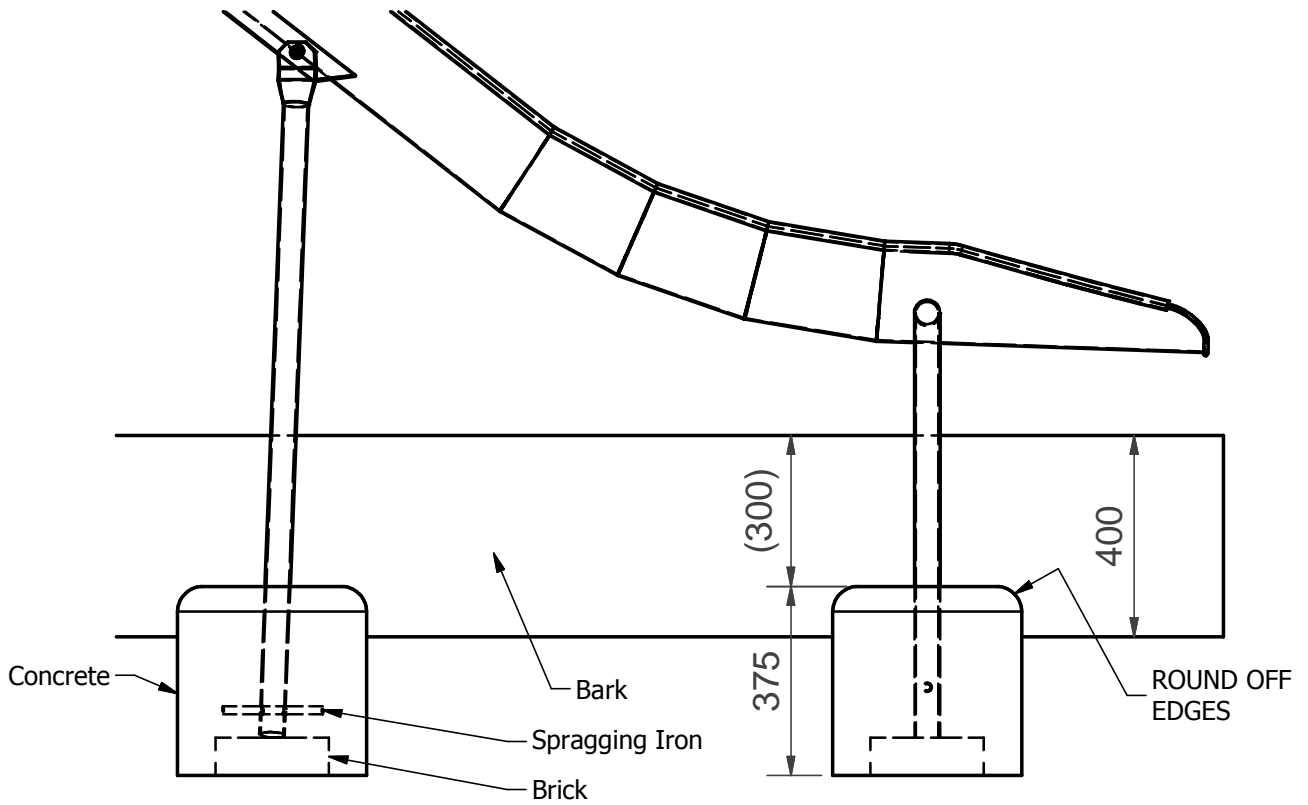
# Foundations

(Care must be taken under abnormal conditions)

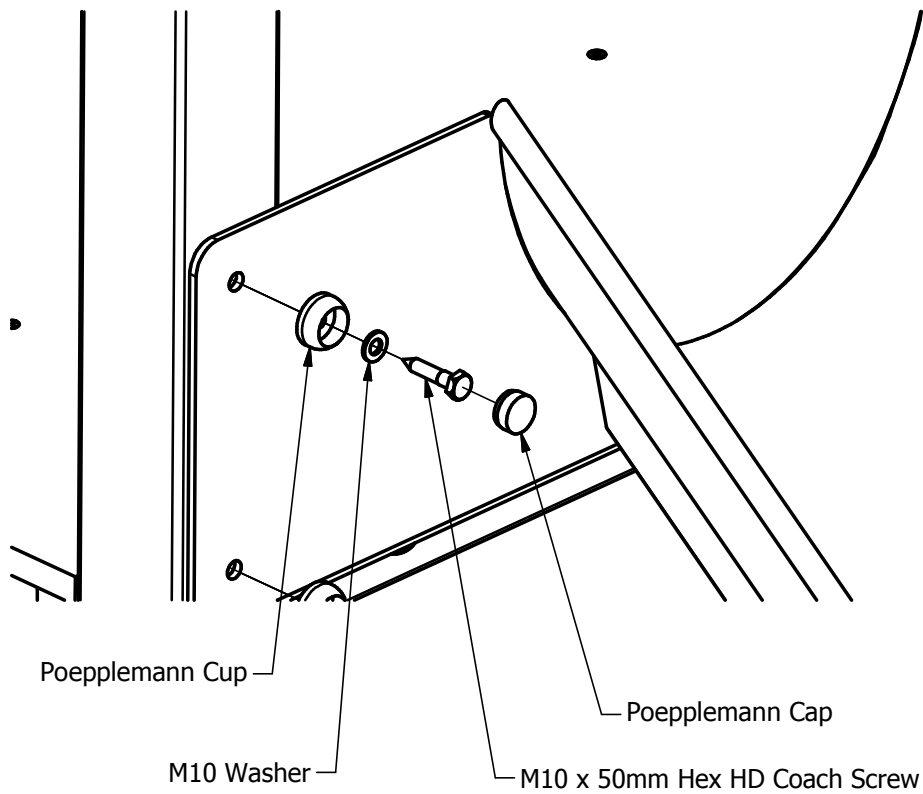


## Foundations For Bark

(Care must be taken under abnormal conditions)

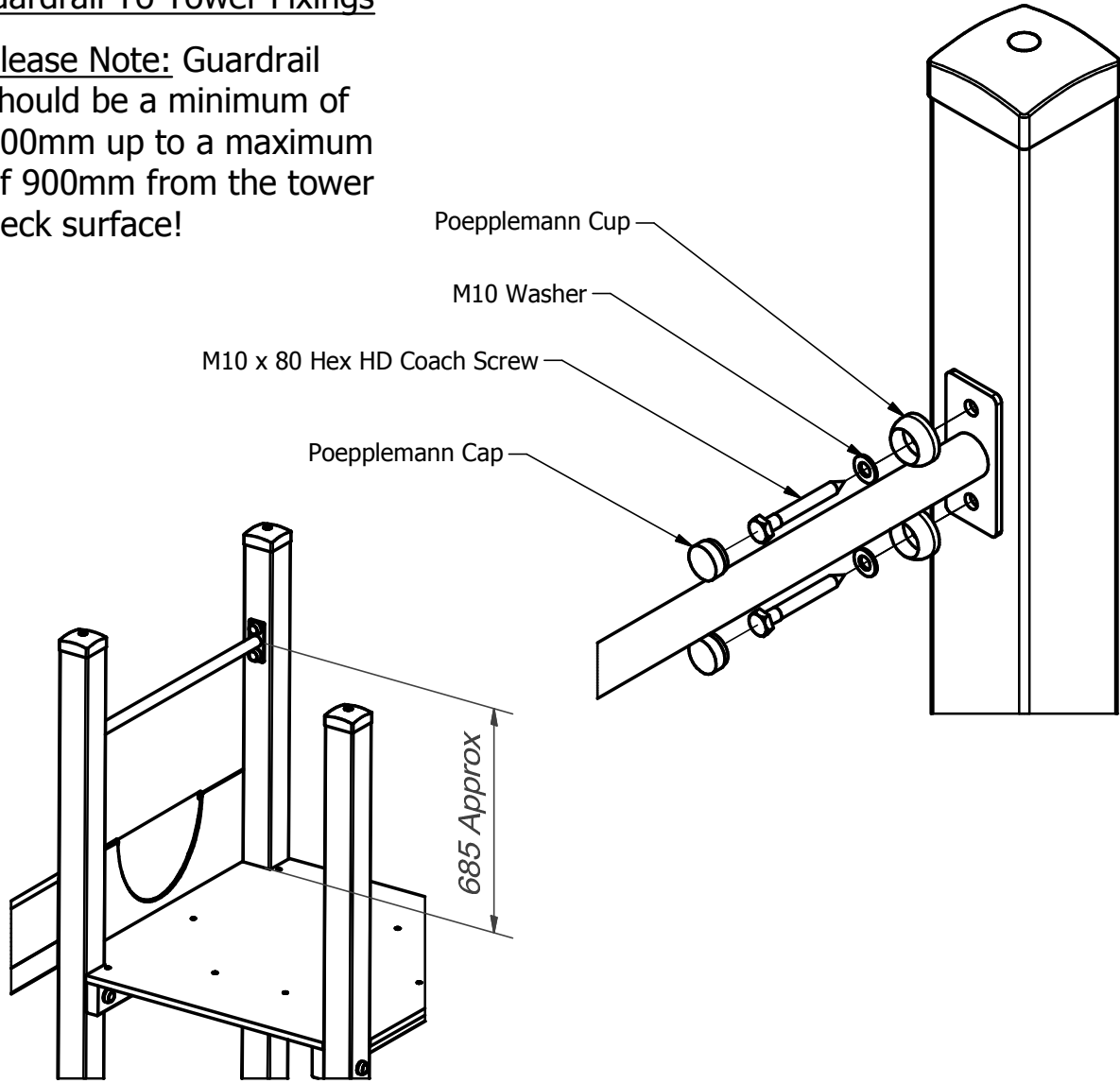


## Slide To Tower Fixings

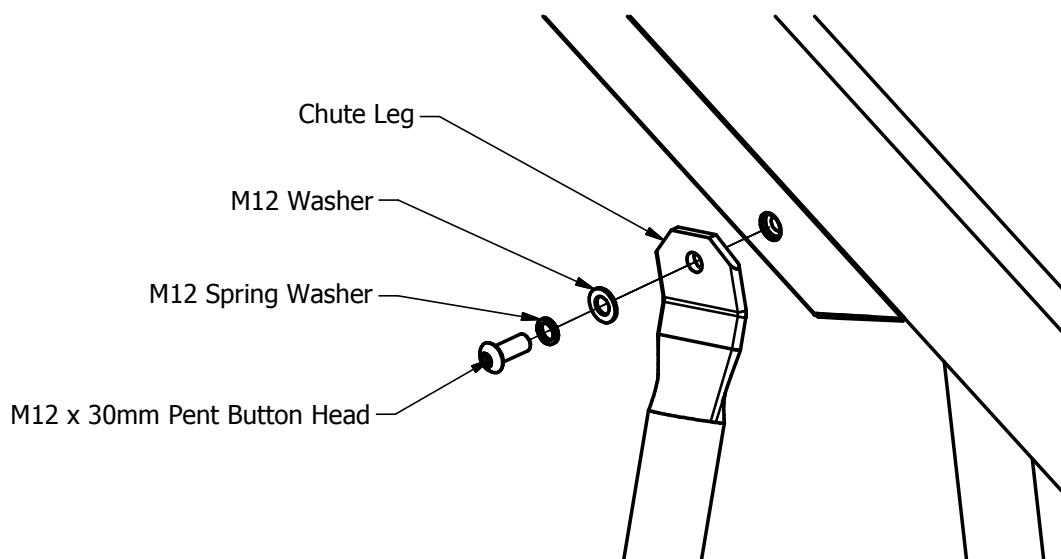


## Guardrail To Tower Fixings

Please Note: Guardrail should be a minimum of 600mm up to a maximum of 900mm from the tower deck surface!



## Slide Leg To Chute Fixings

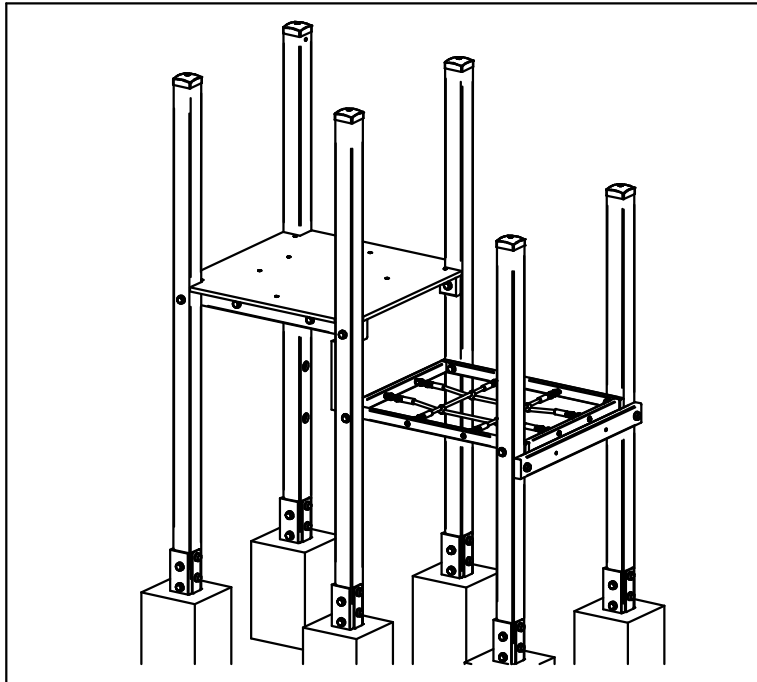



Parts List			
ITEM	QTY	PART NUMBER	DESCRIPTION
14	4	2114-027	M10 x 80 HEX HEAD COACH SCREW
13	4	2114-029	M10 x 50 HEX HEAD COACH SCREW
12	2	2176-177	M12 x 30 Pent Button Head
11	2	2212-204	M12 Spring Washer
10	8	2215-508	M10 Washer
9	2	2215-509	M12 Plain Washer
8	4	2611-029_Cap	Yellow Poepplemann Cap
7	4	2611-029_Cup	Yellow Poepplemann Cup
6	4	2611-033_Cap	Green Poepplemann Cap
5	4	2611-033_Cup	Green Poepplemann Cup
4	2	3001-435	SUPPORT LEG
3	2	3031-010	SPRAGGING IRON
2	1	4202-263	LOW SLIDE CHUTE
1	1	4202-264	Guard Rail Assy

**For Bark Fixed Units:**

Item 2 (Low Slide Chute) is replaced with 4202-266  
 & Item 4 (Support Leg) is replaced with 3001-438.

COMPILED DB	REV	0	1						
	ECN	1691	Minor						
DATE: 20/03/14	SIG.	DB	MC						
	DATE:	20/03/14	18/08/15						



<h1>Funland</h1>	
<h2>Mardi Gras Step Tower</h2>	
PROD. CODE	6185-012
SIZE	1945mm L x 1000mm W x 2520mm H
AGE RANGE	8 to Adult
F/ FALL HEIGHT	1500mm
HEAVIEST PART	15 Kg Approx
TOTAL WEIGHT	178 Kg Approx
	

### SPECIFICATION

Wooden posts are laminated, all timber is from European pine and is protected against rot. Fixings are corrosion resistant and where exposed are anti-vandal. Steel components are zinc coated and polyester powder painted.

### INSTALLATION INSTRUCTIONS

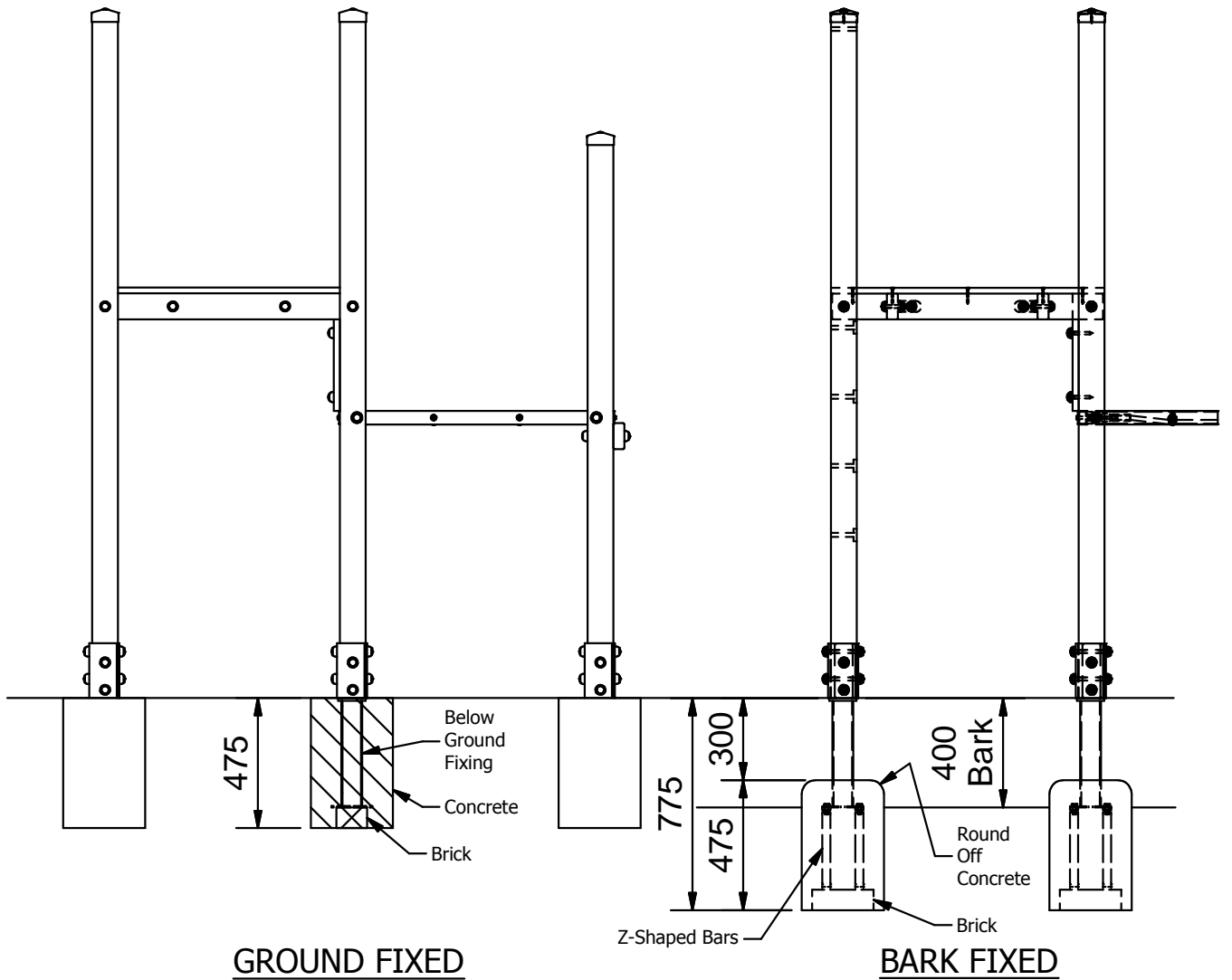
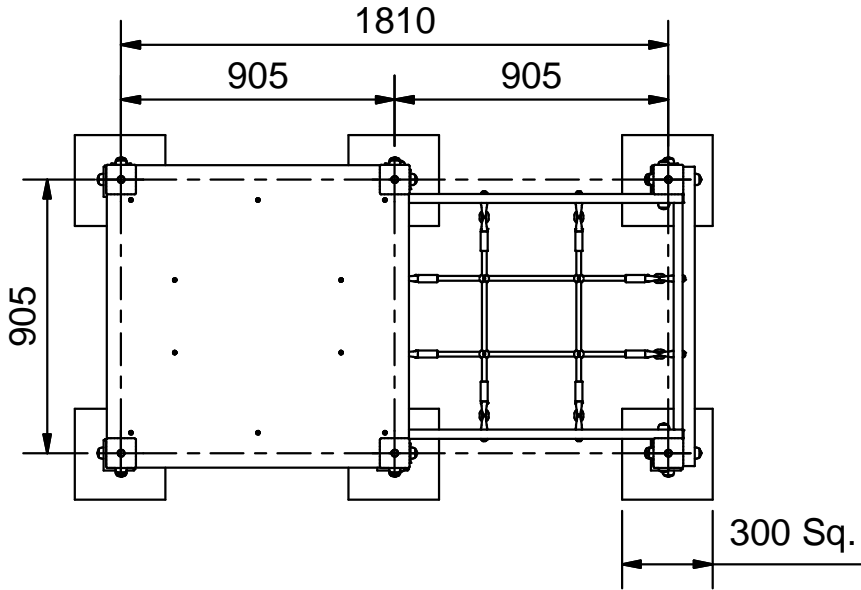
1. Read all instructions thoroughly before commencing installation.
2. Excavate foundation holes as per foundation plan.
3. Place tower into foundation holes ensuring it is at the correct height & orientation.
4. Backfill foundation holes with concrete (4 parts gravel, 2 parts sand, 1 part cement).
5. Allow concrete to set for 48 hours.

Note

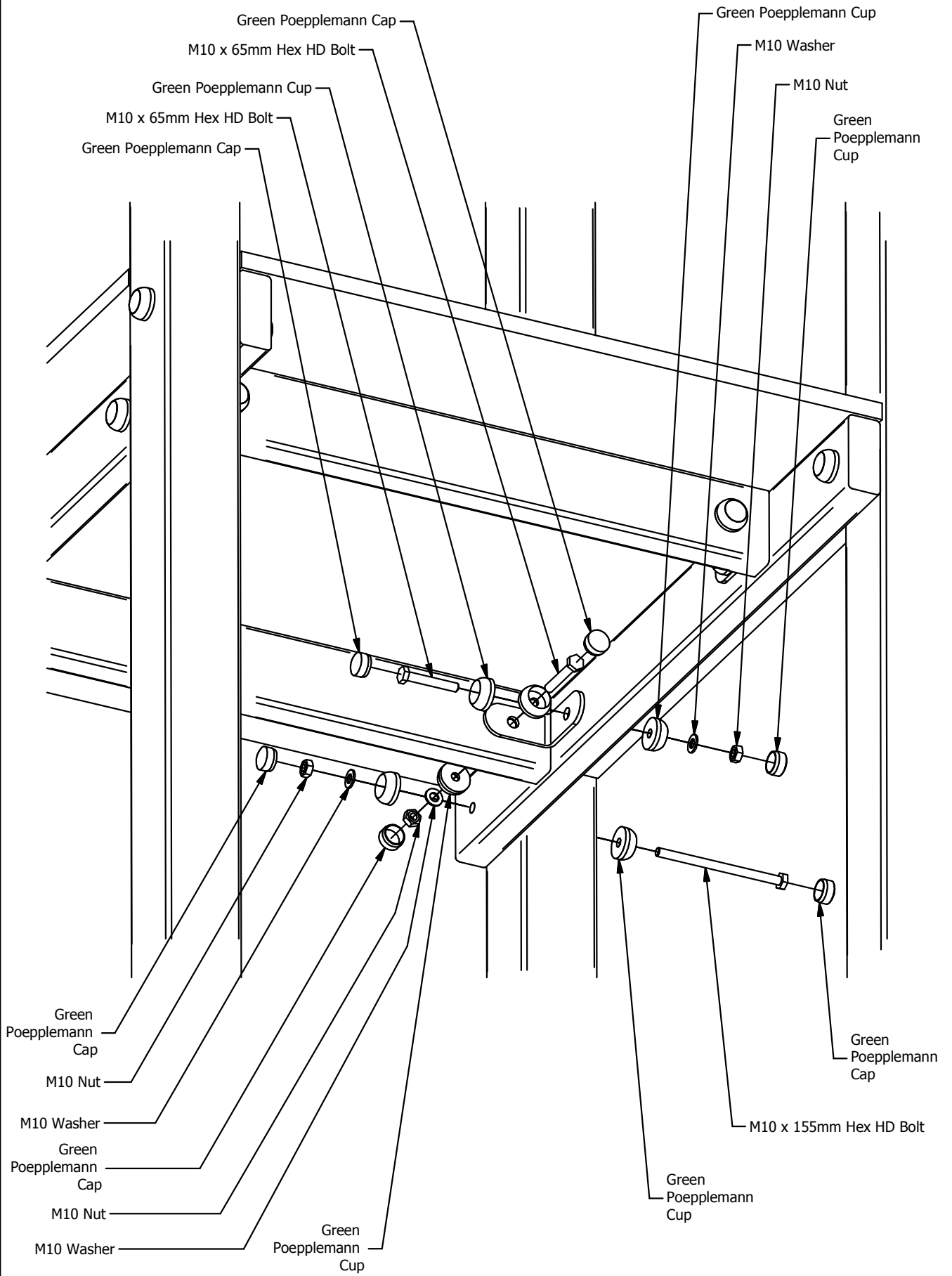
Note Ensure all installation aids are removed before first use!

# Foundations

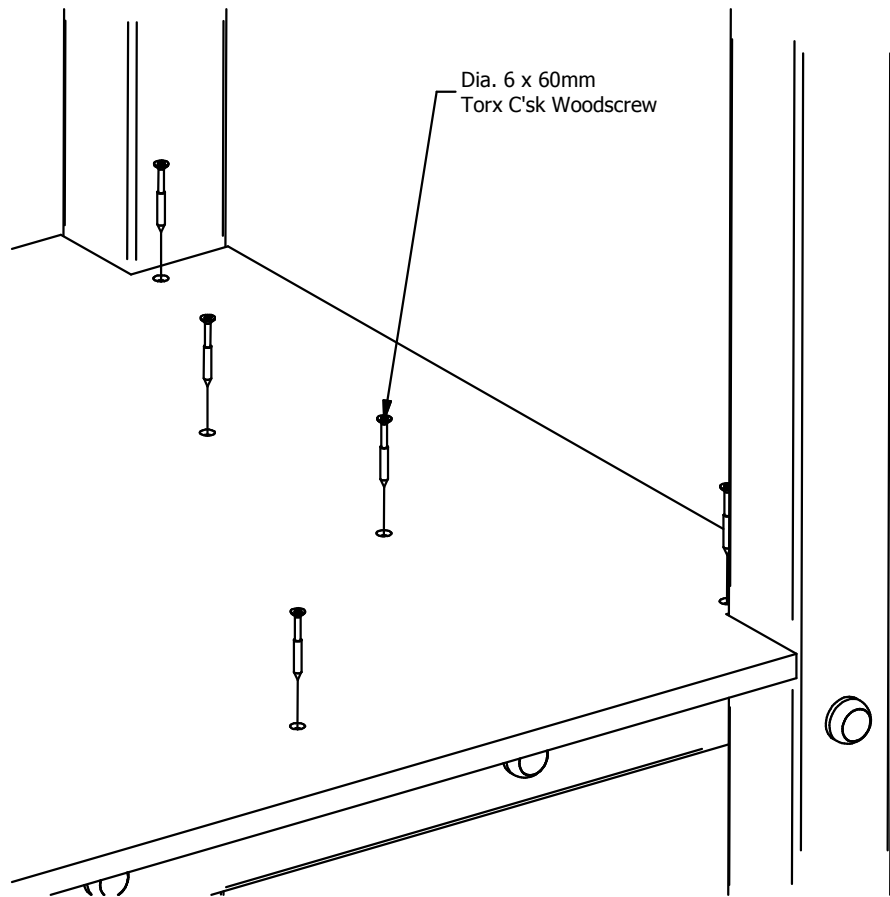
(Care must be taken under abnormal conditions)



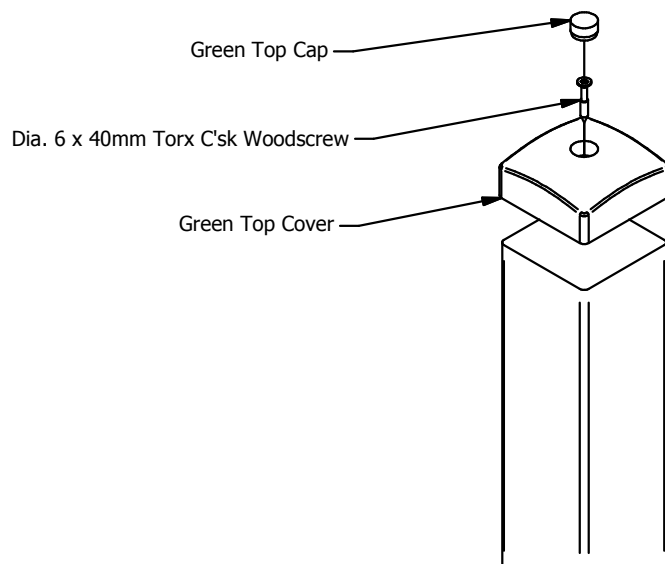
# Tower Under Deck Fixings



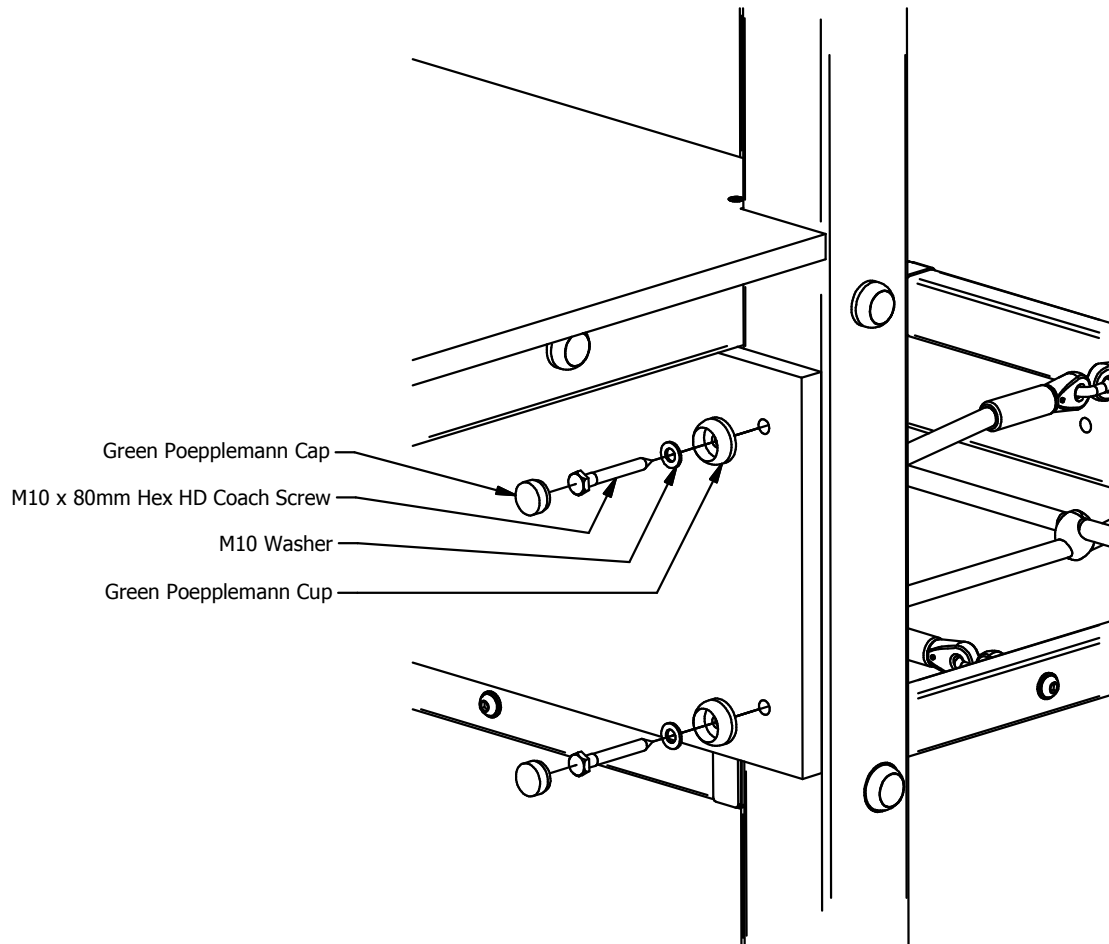
## Tower Deck Fixings



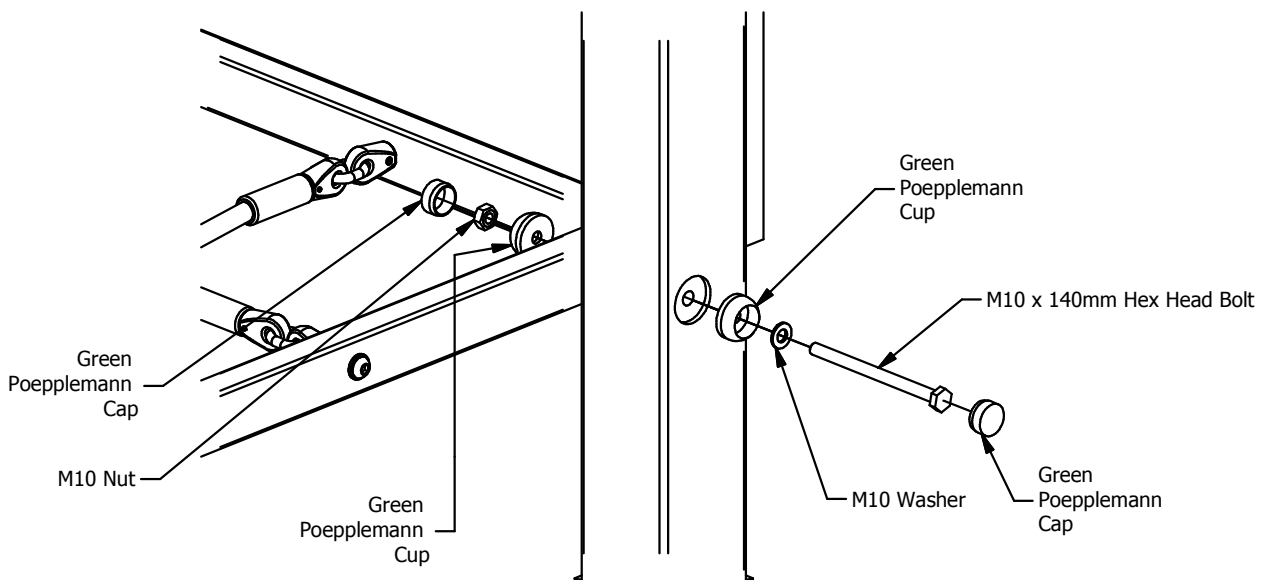
## Top Cap Fixings



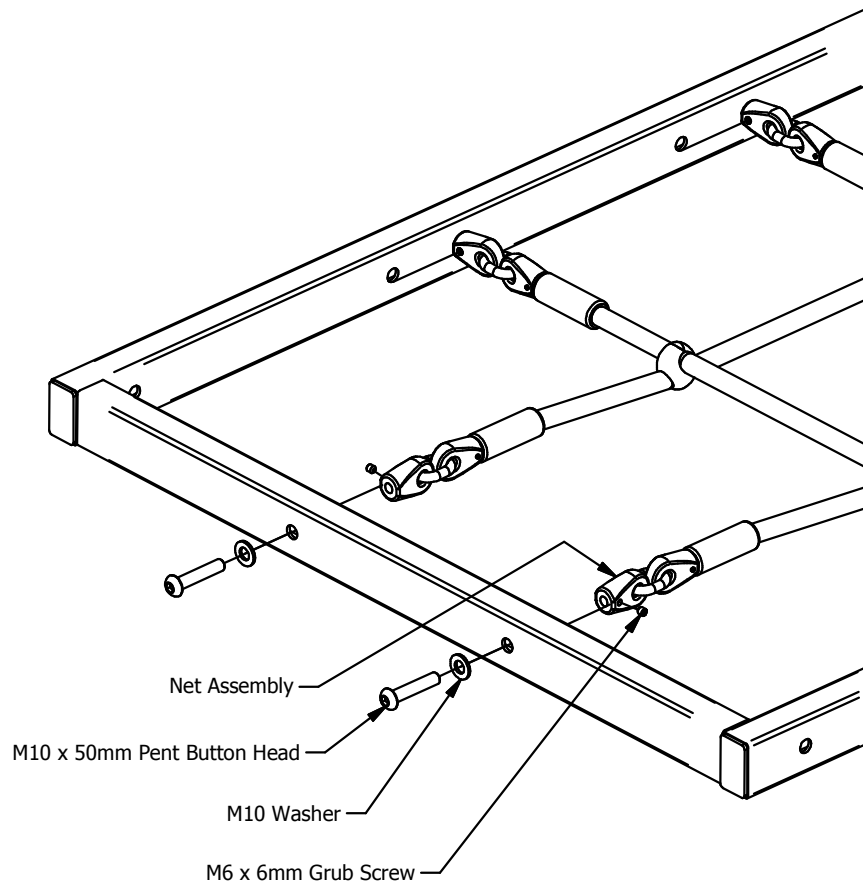
## Barrier Board Fixings



## Rope Deck Fixings To Tower Uprights



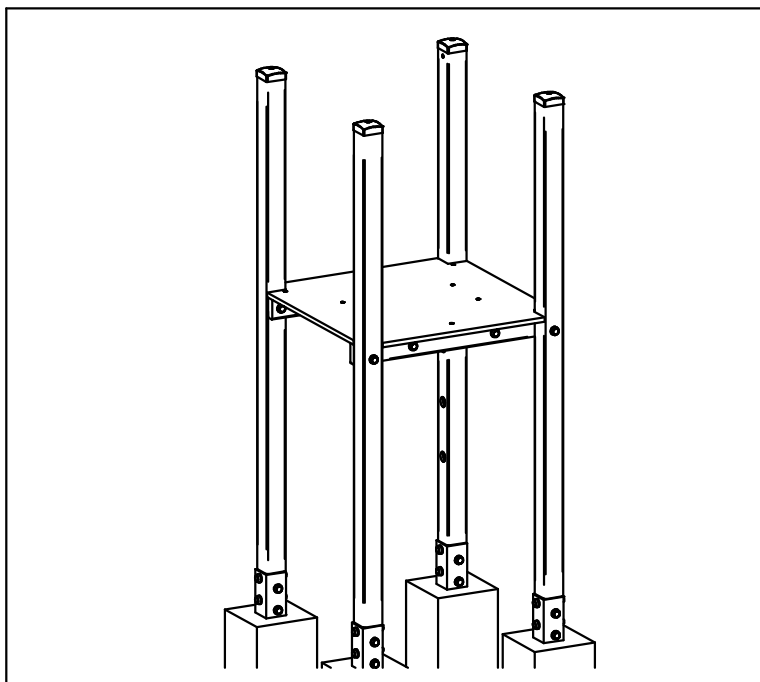
## Rope Deck Fixing of Rope To Frame




PARTS LIST			
ITEM	QTY	PART NUMBER	DESCRIPTION
1	6	5124-027	Woodland BGF
3	1	4202-473	Mardi Gras Net Deck Assy
4	1	3720-251	Barrier Board
5	1	3720-243	Rope Bridge Brace
6	1	3720-240	Tower Upright 2500mm Lg
7	1	3720-239	Tower Upright 2500mm Lg
8	1	3720-238	Tower Upright 2050mm Lg
9	1	3720-237	Tower Upright 2500mm Lg
10	2	3720-236	Tower Upright 2500mm Lg
11	2	3720-145	Tower Deck Support
12	2	3720-144	Tower Support
13	1	3720-143	Tower Deck
14	4	3201-136	85 x 85mm Angle Fixing Bracket
15	6	2611-041 Top Cap	Plastic Top Cap
16	6	2611-041 Fixing Cap	Plastic Fixing Cap
17	40	2611-033_Cup	Green Poeppelmann Cup
18	40	2611-033_Cap	Green Poeppelmann Cap
19	22	2215-508	M10 Washer
20	18	2193-006	M10 Nut
21	6	2185-572	M10 x 155 Hex Head Bolt
22	4	2185-049	M10x140 Hex Head Bolt
23	8	2185-041	M10 x 65 Hex Head Bolt
25	4	2114-027	M10 x 80 HEX HEAD COACH SCREW
26	10	2111-142	Ø6 x 60 Torx c'sunk woodscrew
27	6	2111-140	Ø6 x 40 Torx c'sunk woodscrew
28	12	2193-006	M10 Nut

FOR BARK FIX ADD:			
ITEM	QTY	PART NUMBER	DESCRIPTION
2	12	5071-028	Z-SHAPED BELOW GROUND FIXING
24	12	2175-116	M10 x 30 LG HEX HD SCREW
28	12	2193-006	M10 Nut

COMPILED DB	REV	0							
	ECN	1729							
DATE: 27/07/15	SIG.	DB							
	DATE:	27/07/15							



<h1>Funland</h1>	
<h2>Mardi Gras Tower</h2>	
PROD. CODE	6185-013
SIZE	1000mm L x 1000mm W x 2520mm H
AGE RANGE	8 to Adult
F/ FALL HEIGHT	1500mm
HEAVIEST PART	15 Kg Approx
TOTAL WEIGHT	113 Kg Approx
	

### SPECIFICATION

Wooden posts are laminated, all timber is from European pine and is protected against rot. Fixings are corrosion resistant and where exposed are anti-vandal. Steel components are zinc coated and polyester powder painted.

### INSTALLATION INSTRUCTIONS

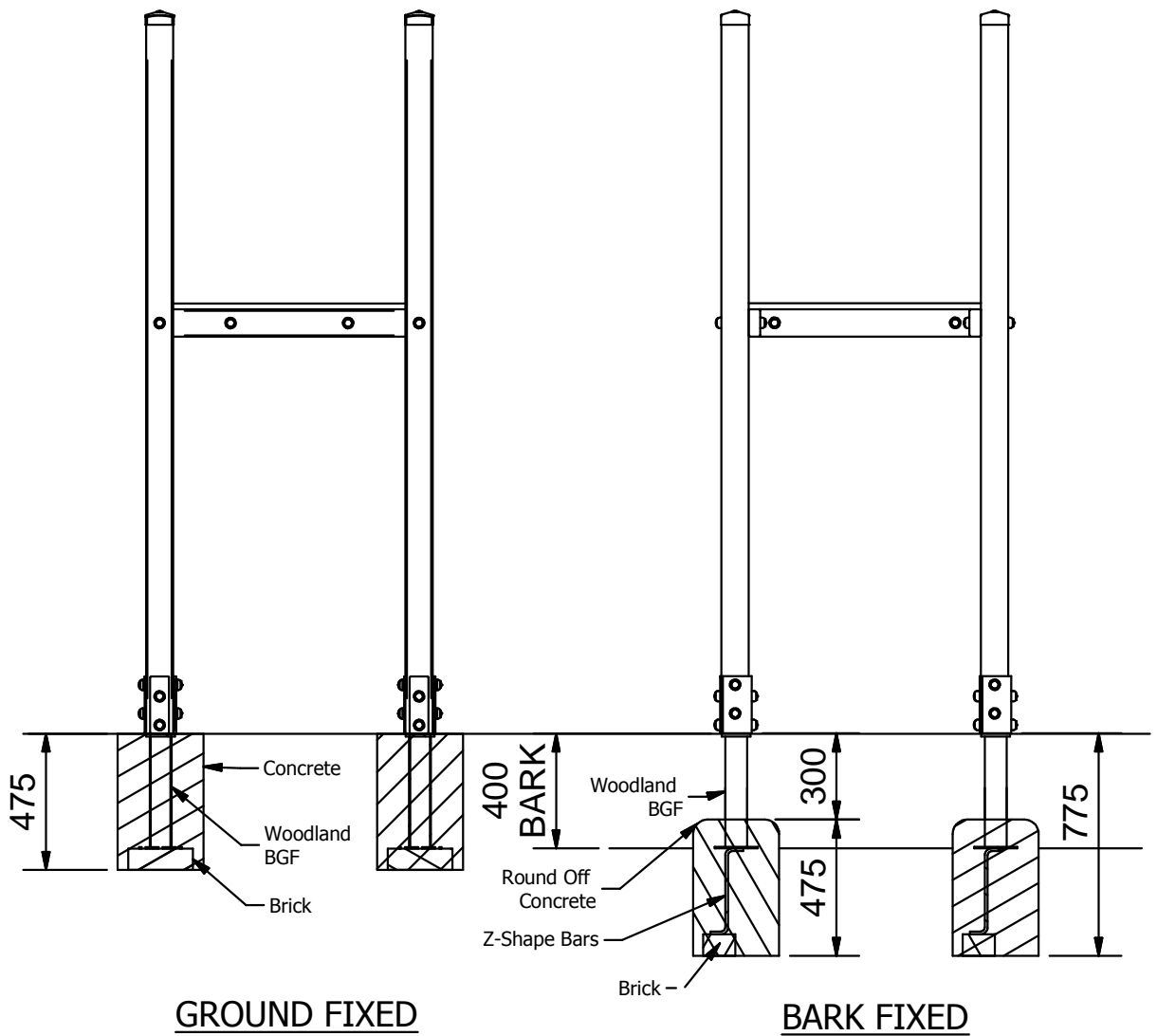
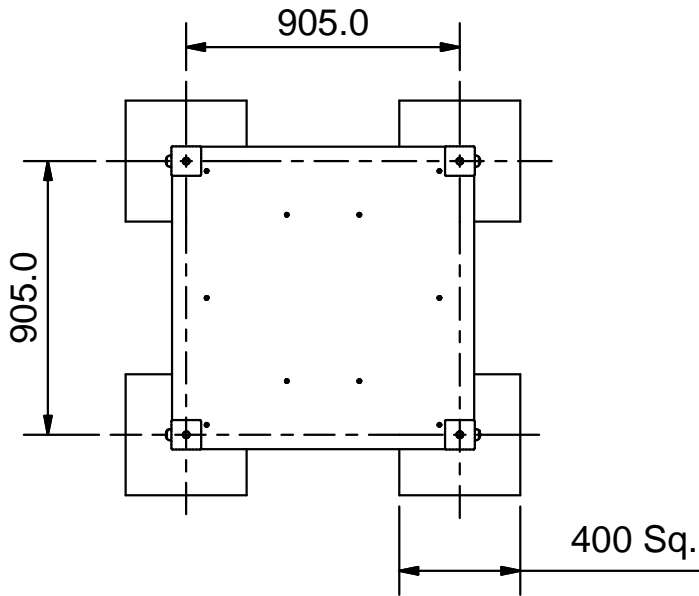
1. Read all instructions thoroughly before commencing installation.
2. Excavate foundation holes as per foundation plan.
3. Place tower into foundation holes ensuring it is at the correct height & orientation.
4. Backfill foundation holes with concrete (4 parts gravel, 2 parts sand, 1 part cement).
5. Allow concrete to set for 48 hours.

Note

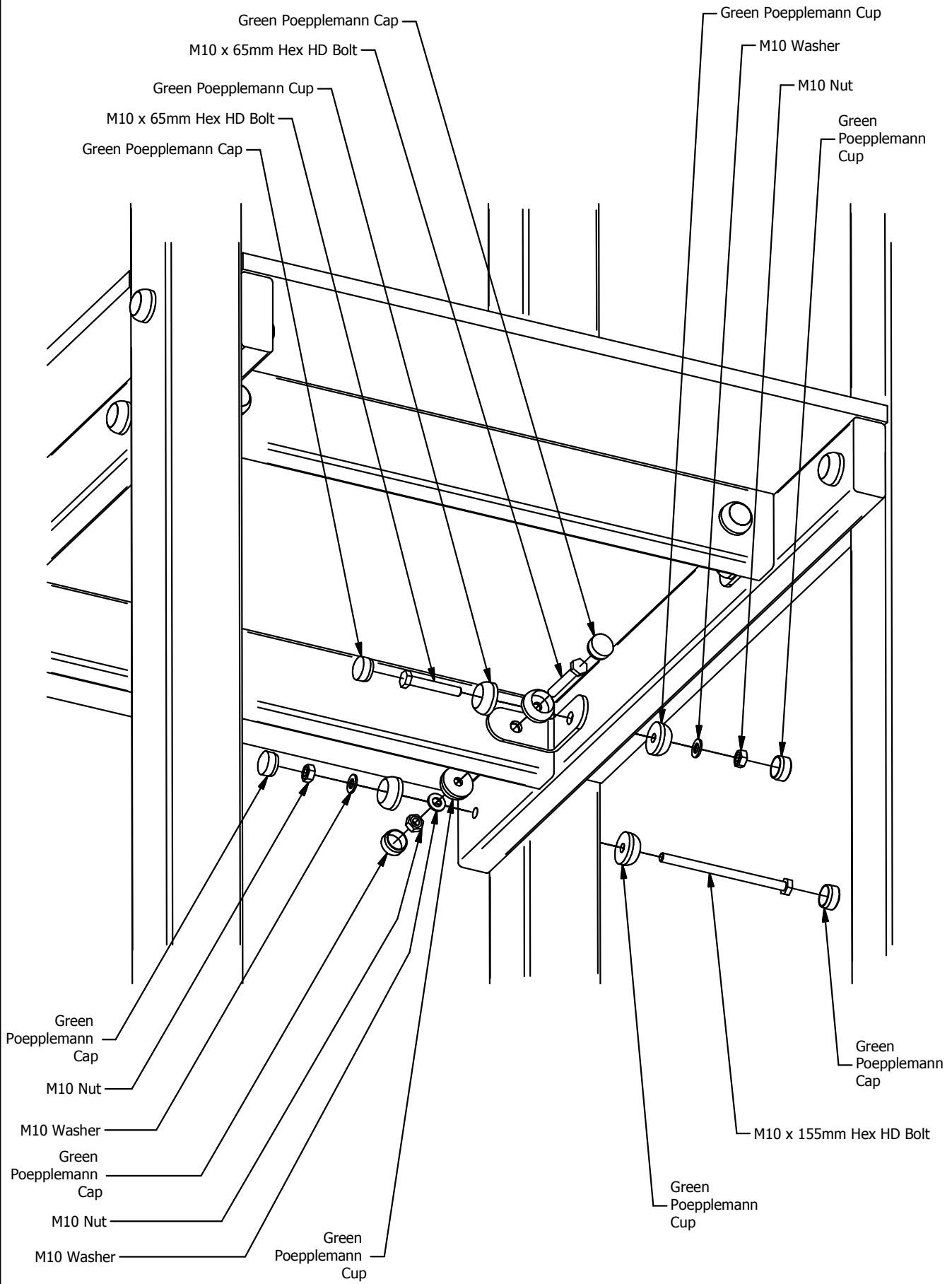
Note Ensure all installation aids are removed before first use!

# Foundations

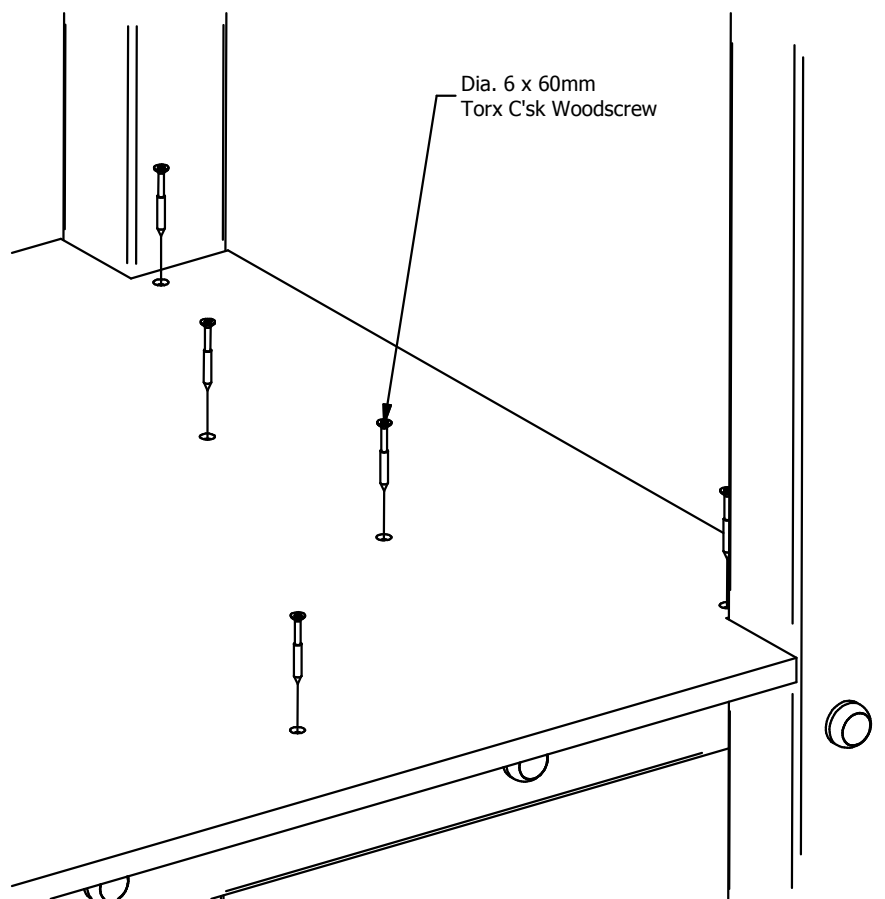
(Care must be taken under abnormal conditions)



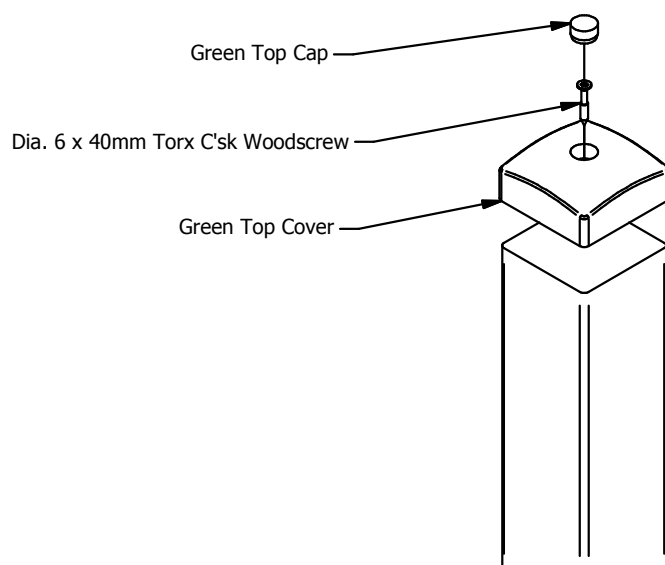
# Tower Under Deck Fixings



## Tower Deck Fixings



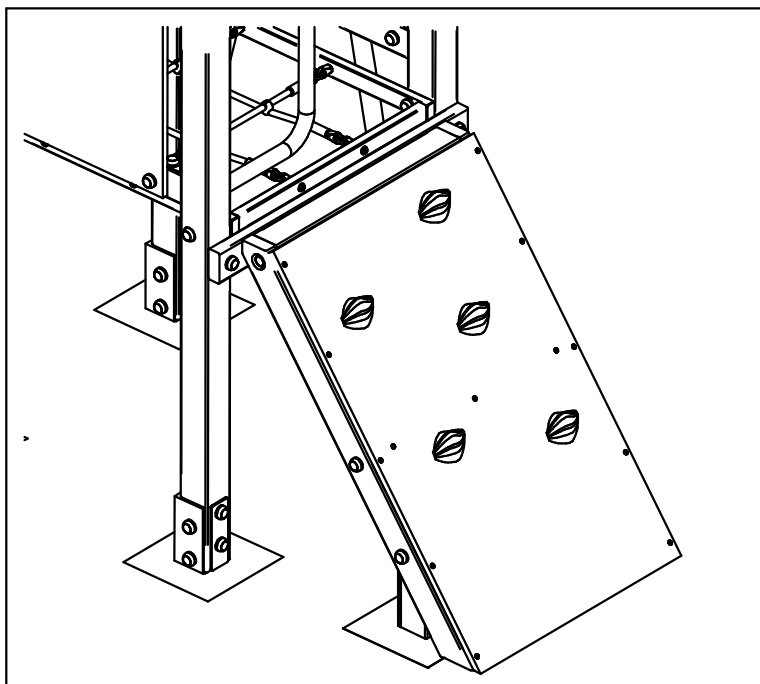
## Top Cap Fixings



PARTS LIST			
ITEM	QTY	PART NUMBER	DESCRIPTION
1	4	5124-027	Woodland BGF
2	1	3720-240	Tower Upright 2500mm Lg
3	3	3720-236	Tower Upright 2500mm Lg
4	2	3720-145	Tower Deck Support
5	2	3720-144	Tower Support
6	1	3720-143	Tower Deck
7	4	3201-136	85 x 85mm Angle Fixing Bracket
8	4	2611-041 Top Cap	Plastic Top Cap
9	4	2611-041 Fixing Cap	Plastic Fixing Cap
10	24	2611-033_Cup	Green Poepplemann Cup
11	24	2611-033_Cap	Green Poepplemann Cap
12	12	2215-508	M10 Washer
13	12	2193-006	M10 Nut
14	4	2185-572	M10 x 155 Hex Head Bolt
15	8	2185-041	M10 x 65 Hex Head Bolt
16	10	2111-142	Ø6 x 60 Torx c'sunk woodscrew
17	4	2111-140	Ø6 x 40 Torx c'sunk woodscrew
20	8	2193-006	M10 Nut

FOR BARK FIX ADD:			
ITEM	QTY	PART NUMBER	DESCRIPTION
18	8	5071-028	Z-SHAPED BELOW GROUND FIXING
19	8	2175-116	M10 x 30 LG HEX HD SCREW
20	8	2193-006	M10 Nut

COMPILED DB	REV	0							
	ECN	1729							
DATE: 21/07/15	SIG.	DB							
	DATE:	21/07/15							



<h1>Funland</h1>	
<h2>Climbing Ramp</h2>	
PROD. CODE	6185-014
SIZE	810mm W x 1250mm L x 1000mm H
AGE RANGE	8 to Adult
F/ FALL HEIGHT	1000mm
HEAVIEST PART	16 Kg Approx
TOTAL WEIGHT	50 Kg Approx
	

### SPECIFICATION

Wooden posts are laminated, all timber is from European pine and is protected against rot. Fixings are corrosion resistant and where exposed are anti-vandal. Steel components are zinc coated and polyester powder painted.

### INSTALLATION INSTRUCTIONS

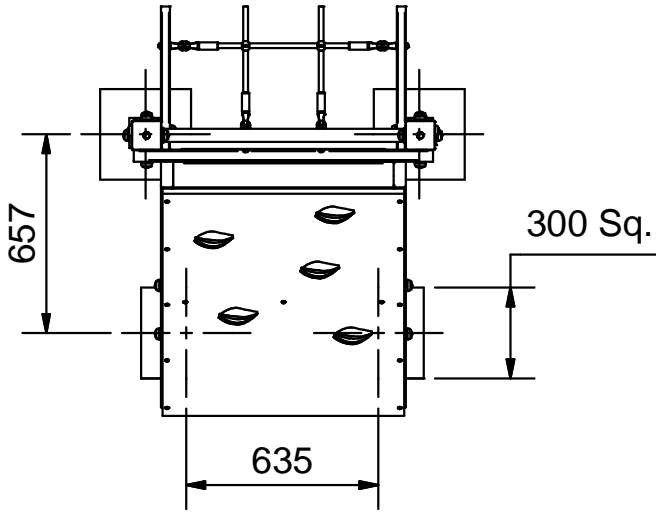
1. Read all instructions thoroughly before commencing installation.
2. Excavate foundation holes as per foundation plan.
3. Place climbing ramp into foundation holes ensuring it is at the correct height & orientation.
4. Fix climbing ramp to tower using the supplied fixings and check alignment.
5. Backfill foundation holes with concrete (4 parts gravel, 2 parts sand, 1 part cement).
6. Allow concrete to set for 48 hours.

Note

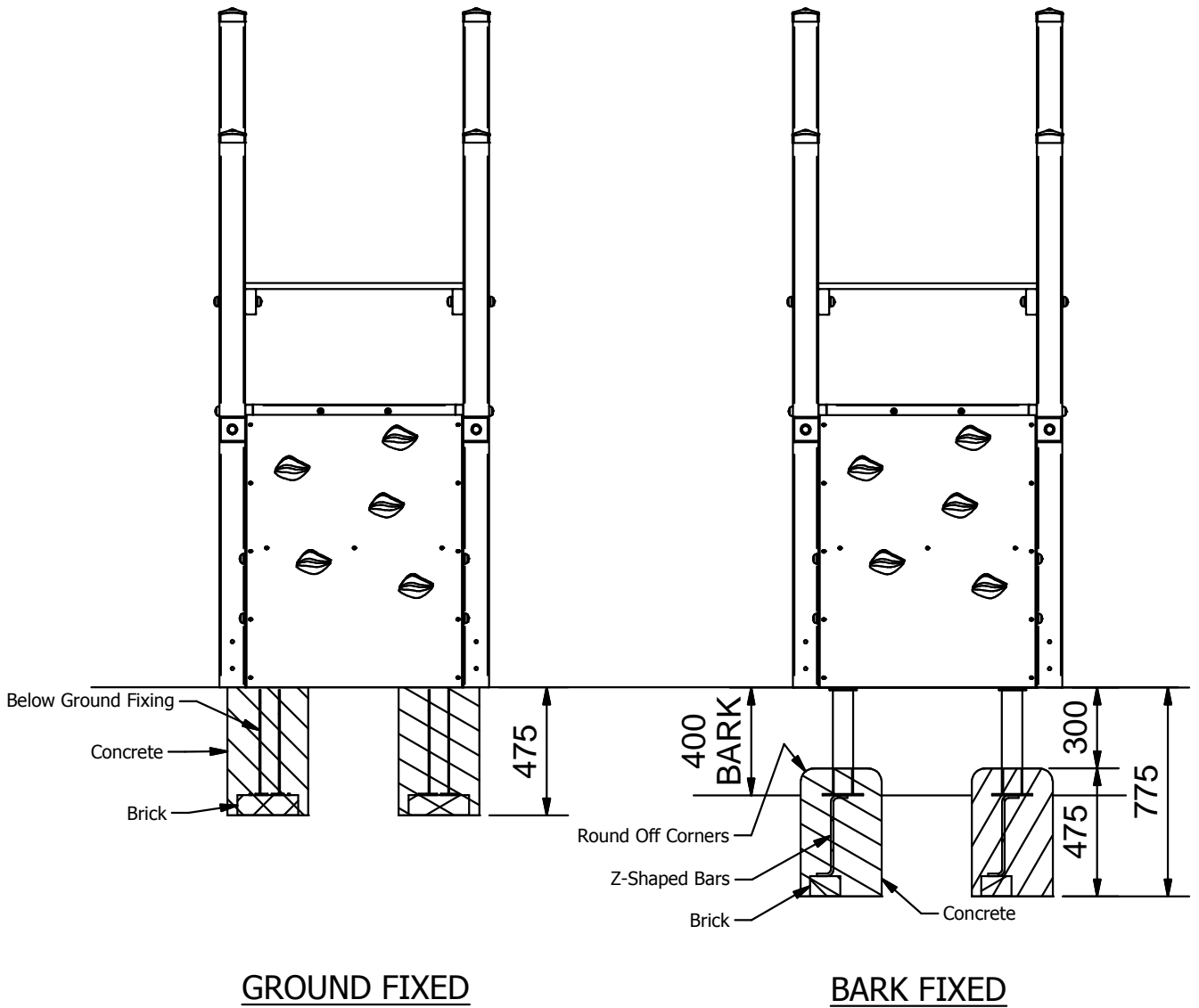
Note Ensure all installation aids are removed before first use!

Foundations

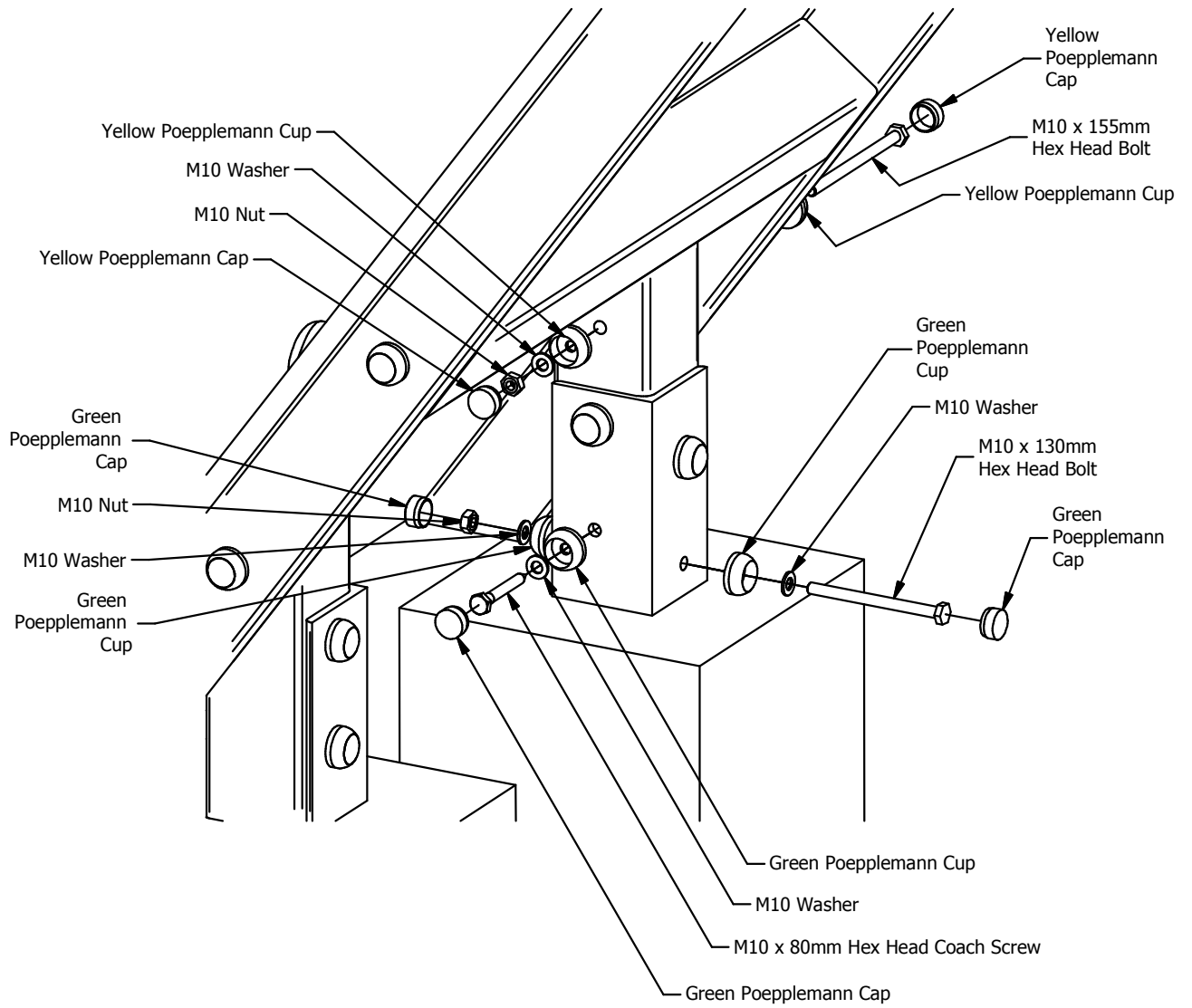
(Care must be taken under abnormal conditions)



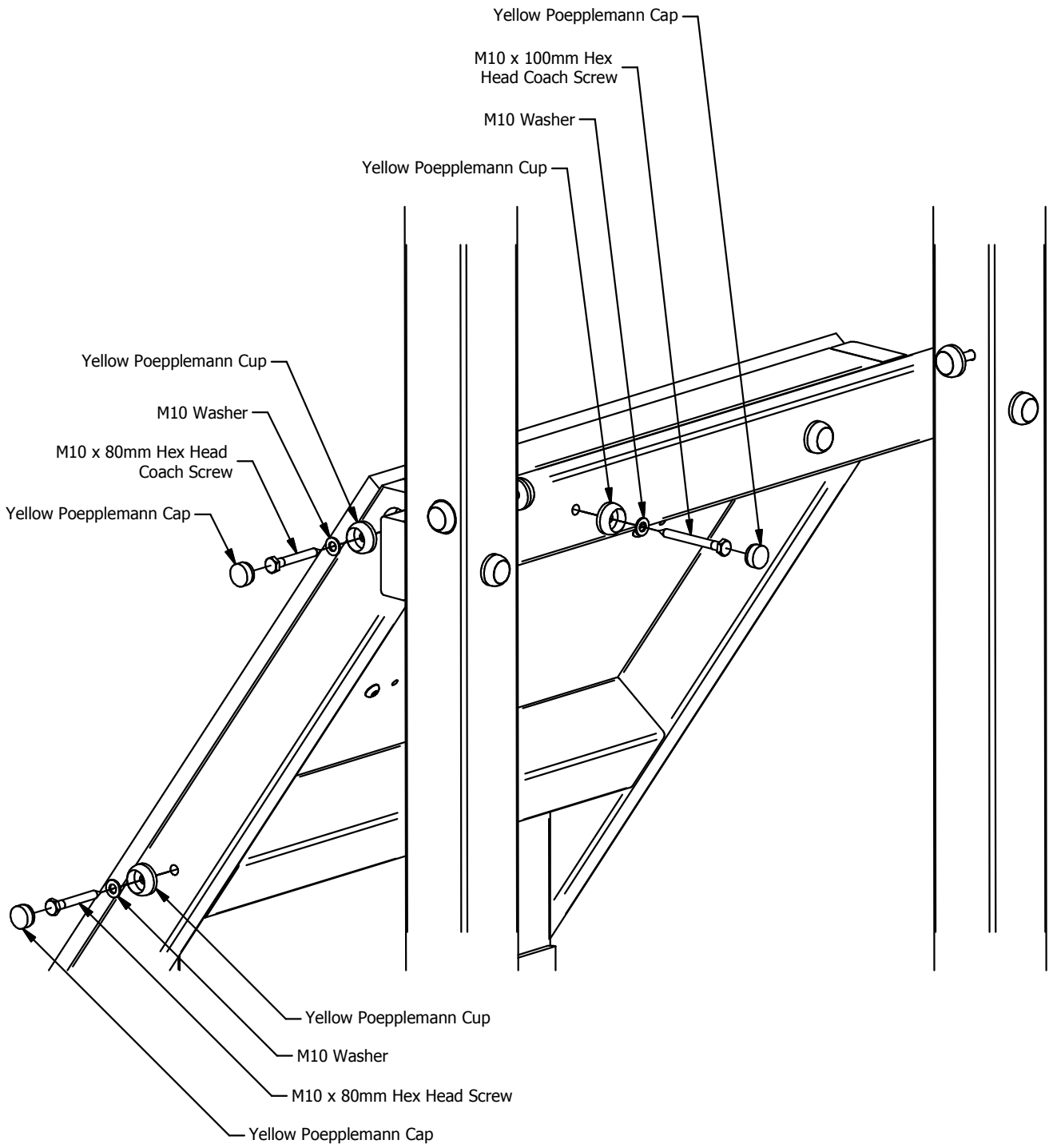
(Tower shown for clarity)



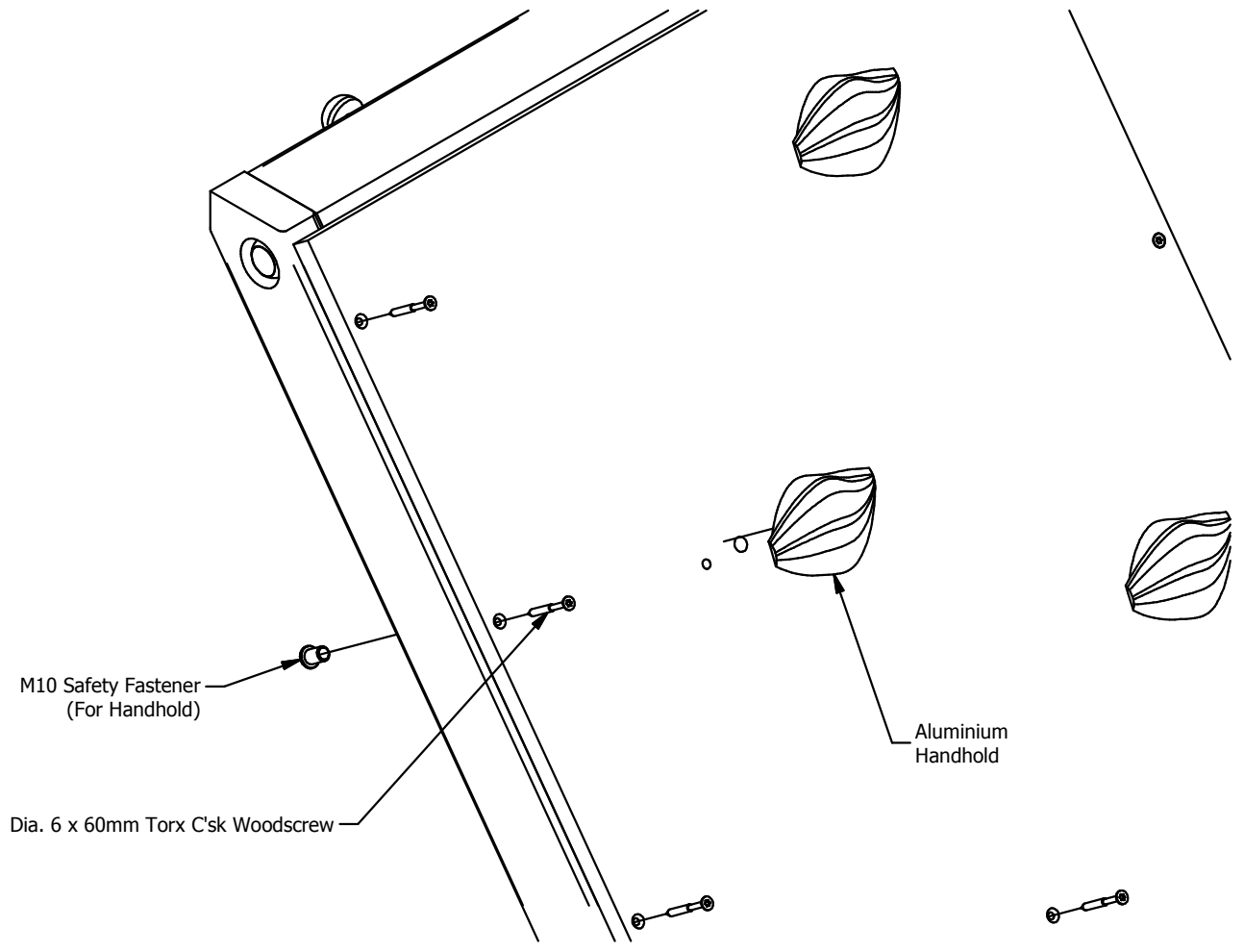
# Leg Fixing Detail



# Upper Fixing Detail



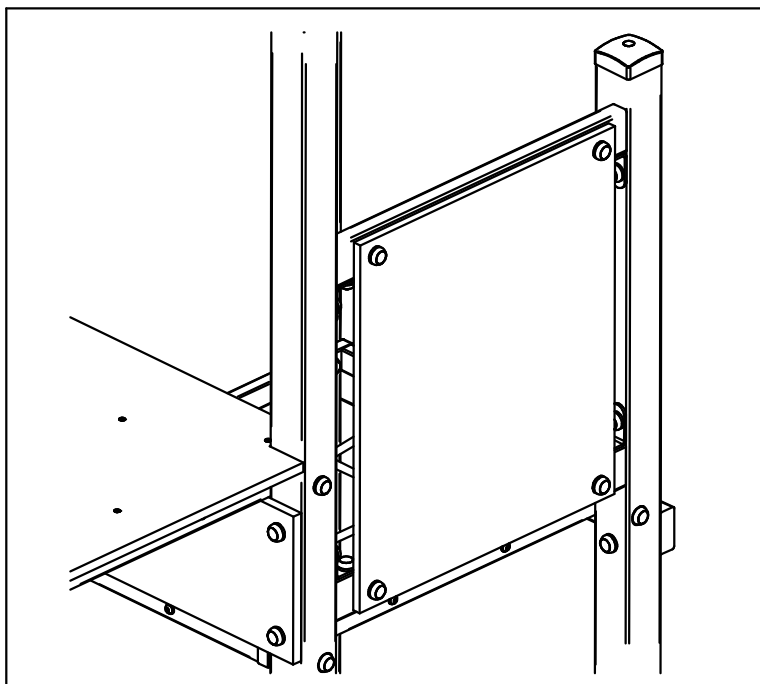
# Panel & Handhold Fixings




PARTS LIST			
ITEM	QTY	PART NUMBER	DESCRIPTION
1	5	80144-03	Aluminium Handhold
3	2	4202-348	Woodland BGF W.A.
4	1	3720-248	Climbing Ramp Leg Support
5	1	3720-247	Climbing Ramp Leg Support
6	1	3720-246	Climbing Ramp
7	1	3720-245	Climbing Ramp Support
8	1	3720-244	Climbing Ramp Support Brace 1
9	1	3720-241	Climbing Ramp Support
10	1	3720-148	Climbing Ramp Support Brace 2
11	1	3201-231	Fixing Plate
12	12	2611-033_Cup	Green Poeppelmann Cup
13	12	2611-033_Cap	Green Poeppelmann Cap
14	10	2611-029_Cup	Yellow Poeppelmann Cup
15	10	2611-029_Cap	Yellow Poeppelmann Cap
16	20	2215-508	M10 Washer
17	6	2193-006	M10 Nut
18	2	2185-572	M10 x 155 Hex Head Bolt
19	4	2185-048	M10 x 130 Hex Head Bolt
20	5	2177-002	M10 Safety Fastener
22	2	2114-028	M10 x 100 HEX HEAD COACH SCREW
23	8	2114-027	M10 x 80 HEX HEAD COACH SCREW
24	13	2111-142	Ø6 x 60 Torx c'sunk woodscrew
25	4	2193-006	M10 Nut

FOR BARK FIX ADD:			
ITEM	QTY	PART NUMBER	DESCRIPTION
21	4	2175-116	M10 x 30 LG HEX HD SCREW
2	4	5071-028	Z-SHAPED BELOW GROUND FIXING
25	4	2193-006	M10 Nut

COMPILED DB	REV	0							
	ECN	1729							
DATE: 28/07/15	SIG.	DB							
	DATE:	28/07/15							



<h1>Funland</h1>	
<h2>Rope Deck Barrier</h2>	
PROD. CODE	6185-015
SIZE	850mm x 810mm
AGE RANGE	8 to Adult
F/ FALL HEIGHT	See Tower
HEAVIEST PART	N/A
TOTAL WEIGHT	14 Kg Approx
	

### SPECIFICATION

Wooden posts are laminated, all timber is from European pine and is protected against rot. Fixings are corrosion resistant and where exposed are anti-vandal. Steel components are zinc coated and polyester powder painted.

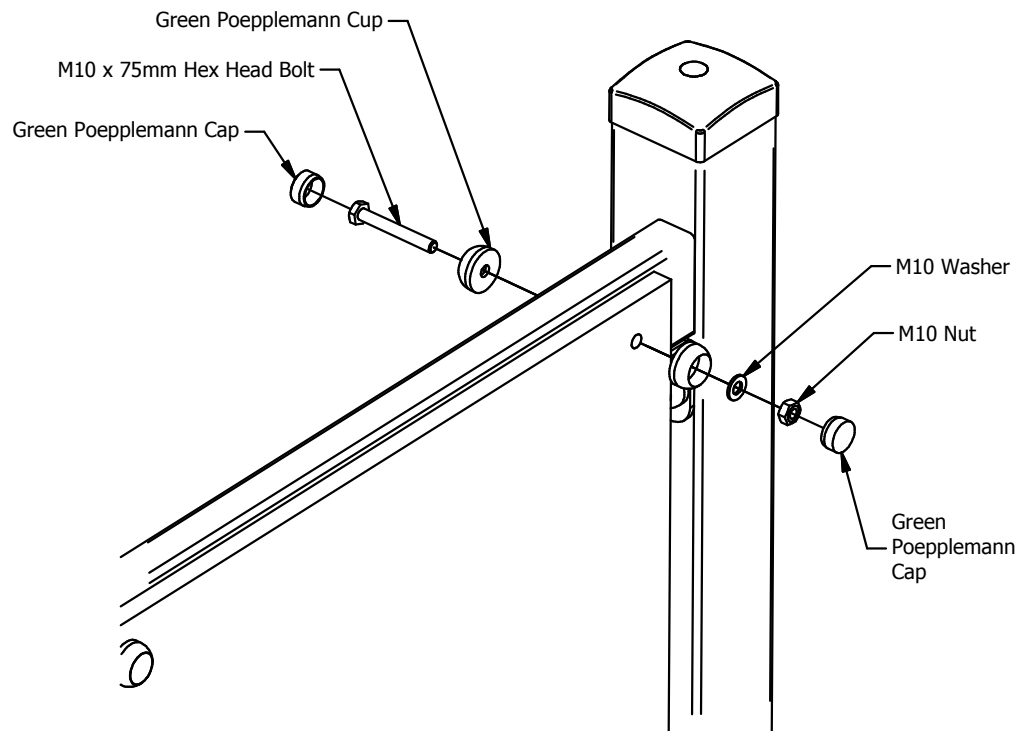
### INSTALLATION INSTRUCTIONS

1. Read all instructions thoroughly before commencing installation.
3. Position tower barrier between uprights and loosely fit.
4. Check barrier sits correctly on unit and tighten all fixings.

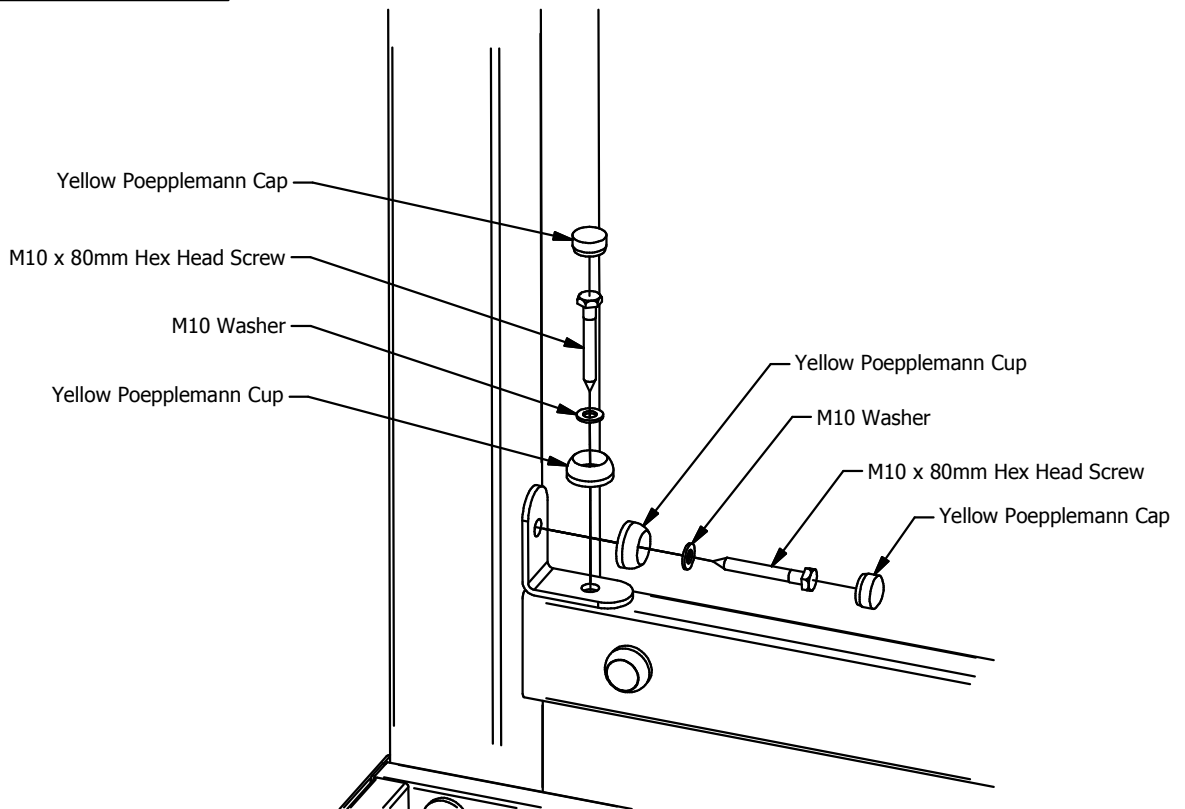
Note

Note Ensure all installation aids are removed before first use!

## Barrier Panel To Support Rail



## Support Rail To Tower



PARTS LIST			
ITEM	QTY	PART NUMBER	DESCRIPTION
1	1	3720-250	Barrier Panel
2	2	3720-249	Rope Bridge Brace
3	4	3201-136	85 x 85mm Angle Fixing Bracket
4	8	2611-033_Cup	Green Poeppelmann Cup
5	8	2611-033_Cap	Green Poeppelmann Cap
6	8	2611-029_Cup	Yellow Poeppelmann Cup
7	8	2611-029_Cap	Yellow Poeppelmann Cap
8	12	2215-508	M10 Washer
9	4	2193-006	M10 Nut
10	4	2185-043	M10 x 75 HEX HEAD BOLT
11	8	2114-027	M10 x 80 HEX HEAD COACH SCREW

COMPILED DB	REV	0							
	ECN	1729							
DATE: 29/07/15	SIG.	DB							
	DATE:	29/07/15							

# DESPATCH LIST

Sheet 1 of 4

Product: 6185-MAR - Funland Mardi Gras Unit Date of Issue: 29/07/15

Order No: Issue: A

Item	Unit Qty	Description	Part No.	Checked
<b>Rope Deck Barrier - 6185-015</b>				
1	2	Barrier Panel *	3720-250	
2	4	Rope Bridge Brace *	3720-249	
<b>Mardi Gras Climbing Ramp - 6185-014</b>				
3	5	Aluminium Handhold *	80144-03	
4	1	Climbing Ramp Leg Support *	3720-248	
5	1	Climbing Ramp Leg Support *	3720-247	
6	1	Climbing Ramp *	3720-246	
7	1	Climbing Ramp Support *	3720-245	
8	1	Climbing Ramp Support Brace 1 *	3720-244	
9	1	Climbing Ramp Support *	3720-241	
10	1	Climbing Ramp Support Brace 2 *	3720-148	
<b>Mardi Gras Single Tower - 6185-013</b>				
12	1	Tower Upright 2500mm Lg *	3720-240	
13	3	Tower Upright 2500mm Lg *	3720-236	
14	2	Tower Deck Support *	3720-145	
15	2	Tower Support *	3720-144	
16	1	Tower Deck *	3720-143	
<b>Items marked * to be fitted before despatch</b>				

Total No. of Items

Picked By: Checked By:

COMPILED BY: DB	REV	0				
	ECN No.	1729				
DATE: 29/07/15	DATE	29/07/2015				
	SIGN	DB				

# DESPATCH LIST

Product: 6185-MAR - Funland Mardi Gras Unit Date of Issue: 29/07/15

Order No: \_\_\_\_\_ Issue: A

Item	Unit Qty	Description	Part No.	Checked
		<b>Mardis Gras Step Tower - 6185-012</b>		
17	1	Mardi Gras Net Deck Assy *	4202-473	
18	1	Barrier Board *	3720-251	
19	1	Rope Bridge Brace *	3720-243	
20	1	Tower Upright 2500mm Lg *	3720-240	
21	1	Tower Upright 2500mm Lg *	3720-239	
22	1	Tower Upright 2050mm Lg *	3720-238	
23	1	Tower Upright 2500mm Lg *	3720-237	
24	1	Tower Upright 2050mm Lg *	3720-236	
25	1	Tower Upright 2500mm Lg *	3720-142	
26	2	Tower Deck Support *	3720-145	
27	2	Tower Support *	3720-144	
28	1	Tower Deck *	3720-143	
		<b>Gala Slide - 6185-011</b>		
29	1	Guard Rail Assy *	4202-264	
30	1	Low Slide Chute (For bark fix see last page)	4202-263	
31	2	Spragging Iron	3031-010	
32	2	Support Leg (For bark fix see last page)	3001-435	
		<b>Items marked * to be fitted before despatch</b>		

Total No. of Items

Picked By: \_\_\_\_\_ Checked By: \_\_\_\_\_

COMPILED BY: DB	REV	0				
	ECN No.	1729				
DATE: 29/07/15	DATE	29/07/2015				
	SIGN	DB				

# DESPATCH LIST

Product: 6185-MAR - Funland Mardi Gras Unit Date of Issue: 29/07/15

Order No: Issue: A

Item	Unit Qty	Description	Part No.	Checked
		<b>Bannister Slide - 6185-008</b>		
33	1	RH Bannister Assembly	4202-236	
34	1	LH Bannister Assembly	4202-235	
		<b>Climbing Net - 6185-007</b>		
35	1	Net Support Rail Assembly	4202-233	
36	1	Climbing Net	4141-149	
		<b>Climbing Wall - 6185-005</b>		
37	6	Aluminium Handhold *	80144-03	
38	1	Climbing Wall Cross Brace *	3720-154	
39	2	Climbing Wall Support *	3720-153	
40	1	Climbing Wall Board *	3720-152	
		<b>Tower Guard Rail - 6185-004</b>		
41	5	Handrail Assy *	4202-231	
		<b>Firemans Pole - 6185-002</b>		
42	2	Firemans Pole Assy	4202-213	
		<b>Items marked * to be fitted before despatch</b>		

Total No. of Items

Picked By: Checked By:

COMPILED BY: DB	REV	0					
	ECN No.	1729					
DATE: 29/07/15	DATE	29/07/2015					
	SIGN	DB					



# FIXINGS LIST

Product: 6185-MAR - Funland Mardi Gras Unit Date of Issue: 29/07/15

Order No: \_\_\_\_\_ Issue: A

Item	Unit Qty	Description	Part No.	Checked
<b>Rope Deck Barrier - 6185-015</b>				
1	8	85 x 85mm Angle Fixing Bracket *	3201-136	
2	16	Green Poepplemann Cup *	2611-033_Cup	
3	16	Green Poepplemann Cap *	2611-033_Cap	
4	16	Yellow Poepplemann Cup *	2611-029_Cup	
5	16	Yellow Poepplemann Cap *	2611-029_Cap	
6	24	M10 Washer *	2215-508	
7	8	M10 Nut *	2193-006	
8	8	M10 x 75mm Hex Head Bolt *	2185-043	
9	16	M10 x 80mm Hex Head Coach Screw *	2114-027	
<b>Climbing Ramp (Mardi Gras) - 6185-014</b>				
10	12	Green Poepplemann Cup	2611-033_Cup	
11	12	Green Poepplemann Cap	2611-033_Cap	
12	10	Yellow Poepplemann Cup *	2611-029_Cup	
13	10	Yellow Poepplemann Cap *	2611-029_Cap	
14	20	M10 Washer (8 off *)	2215-508	
15	6	M10 Nut (2 off *)	2193-006	
16	2	M10 x 155mm Hex Head Bolt *	2185-572	
19	4	M10 x 130mm Hex Head Bolt	2185-048	
20	5	M10 Safety Fastener *	2177-002	
22	2	M10 x 100mm Hex Head Coach Screw *	2114-028	
23	8	M10 x 80mm Hex Head Coach Screw (4 off *)	2114-027	
24	13	M6 x 60mm Torx C'sunk Woodscrew *	2111-142	
<b>Items marked * to be fitted before despatch</b>				

Total No. of Items

Picked By: \_\_\_\_\_ Checked By: \_\_\_\_\_

COMPILED BY: DB	REV	0				
	ECN No.	1729				
DATE: 29/07/15	DATE	29/07/2015				
	SIGN	DB				

# FIXINGS LIST

Product: 6185-MAR - Funland Mardi Gras Unit Date of Issue: 29/07/15

Order No: \_\_\_\_\_ Issue: A

Item	Unit Qty	Description	Part No.	Checked
<b>Mardi Gras Single Tower - 6185-013</b>				
25	4	85 x 85mm Angle Fixing Bracket *	3201-136	
26	4	Plastic Top Cap *	2611-041_Top Cap	
27	4	Plastic Fixing Cap *	2611-041_Fixing Cap	
28	24	Green Poepplemann Cup *	2611-033_Cup	
29	24	Green Poepplemann Cap *	2611-033_Cap	
30	12	M10 Washer *	2215-508	
31	12	M10 Nut *	2193-006	
32	4	M10 x 155mm Hex Head Bolt *	2185-572	
33	8	M10 x 65mm Hex Head Bolt *	2185-041	
34	10	M6 x 60mm Torx C'sk Woodscrew *	2111-142	
35	4	M6 x 40mm Torx C'sk Woodscrew *	2111-140	
<b>Mardis Gras Step Tower - 6185-012</b>				
36	4	85 x 85mm Angle Fixing Bracket *	3201-136	
37	6	Plastic Top Cap *	2611-041_Top Cap	
38	6	Plastic Fixing Cap *	2611-041_Fixing Cap	
39	40	Green Poepplemann Cup *	2611-033_Cup	
40	40	Green Poepplemann Cap *	2611-033_Cap	
42	22	M10 Washer *	2215-508	
43	18	M10 Nut *	2193-006	
44	6	M10 x 155mm Hex Head Bolt *	2185-572	
45	4	M10 x 140mm Hex Head Bolt *	2185-049	
46	8	M10 x 65mm Hex Head Bolt *	2185-041	
<b>Items marked * to be fitted before despatch</b>				

Total No. of Items

Picked By: \_\_\_\_\_ Checked By: \_\_\_\_\_

COMPILED BY: DB	REV	0				
	ECN No.	1729				
DATE: 29/07/15	DATE	29/07/2015				
	SIGN	DB				

# FIXINGS LIST

Product: 6185-MAR - Funland Mardi Gras Unit Date of Issue: 29/07/15

Order No: \_\_\_\_\_ Issue: A

Item	Unit Qty	Description	Part No.	Checked
		<b>Mardis Gras Step Tower - 6185-012 (Cont)</b>		
47	4	M10 x 80mm Hex Head Coach Screw *	2114-027	
48	10	M6 x 60mm Torx C'sk Woodscrew *	2111-142	
49	6	M6 x 40mm Torx C'sk Woodscrew *	2111-140	
		<b>Gala Slide - 6185-011</b>		
50	4	Green Poepplemann Cup	2611-033_Cup	
51	4	Green Poepplemann Cap	2611-033_Cap	
52	4	Yellow Poepplemann Cup	2611-029_Cup	
53	4	Yellow Poepplemann Cap	2611-029_Cap	
54	2	M12 Washer	2215-509	
55	8	M10 Washer	2215-508	
56	2	M12 Spring Washer	2212-204	
57	2	M12 x 30mm Pent Button Head	2176-177	
58	4	M10 x 50mm Hex Head Coach Screw	2114-029	
59	4	M10 x 80mm Hex Head Coach Screw	2114-027	
		<b>Bannister Slide - 6185-008</b>		
60	4	Yellow Poepplemann Cup	2611-029_Cup	
61	4	Yellow Poepplemann Cap	2611-029_Cap	
62	4	M10 Washer	2215-508	
63	4	M10 x 50mm Hex Head Coach Screw	2114-029	
		<b>Items marked * to be fitted before despatch</b>		

Total No. of Items

Picked By: \_\_\_\_\_ Checked By: \_\_\_\_\_

COMPILED BY: DB	REV	0					
	ECN No.	1729					
DATE: 29/07/15	DATE	29/07/2015					
	SIGN	DB					

# FIXINGS LIST

Product: 6185-MAR - Funland Mardi Gras Unit Date of Issue: 29/07/15

Order No: \_\_\_\_\_ Issue: A

Item	Unit Qty	Description	Part No.	Checked
		<b>Climbing Net - 6185-007</b>		
64	6	32 NBT Saddle Washer	3711-051	
65	8	M12 x 110mm Stud	3033-046	
66	8	Chain Bolt Head	3030-274	
67	4	Green Poepplemann Cup	2611-033_Cup	
68	4	Green Poepplemann Cap	2611-033_Cap	
69	8	Yellow Poepplemann Cup	2611-029_Cup	
70	8	Yellow Poepplemann Cap	2611-029_Cap	
71	1	Wicksteed Washer	2215-519	
72	8	M12 Washer	2215-509	
73	4	M10 Washer	2215-508	
74	8	M10 Spring Washer	2212-203	
75	2	M10 Nut	2193-006	
76	8	M12 Binx Nut	2191-011	
77	2	M10 x 125mm Hex Head Bolt	2185-051	
78	8	M8 Short Safety Fastener	2177-004	
79	3	M10 Safety Fastener	2177-002	
80	8	M8 x 25mm Pent Button Head	2176-152	
		<b>Climbing Wall - 6185-005</b>		
81	8	Green Poepplemann Cup	2611-033_Cup	
82	8	Green Poepplemann Cap	2611-033_Cap	
83	10	M10 Washer (2 off *)	2215-508	
84	4	M10 Nut	2193-006	
		<b>Items marked * to be fitted before despatch</b>		

Total No. of Items

Picked By: \_\_\_\_\_ Checked By: \_\_\_\_\_

COMPILED BY: DB	REV	0					
	ECN No.	1729					
DATE: 29/07/15	DATE	29/07/2015					
	SIGN	DB					

# FIXINGS LIST

Product: 6185-MAR - Funland Mardi Gras Unit Date of Issue: 29/07/15

Order No: \_\_\_\_\_ Issue: A

Item	Unit Qty	Description	Part No.	Checked
		<b>Climbing Wall - 6185-005 (Cont)</b>		
85	4	M10 x 150mm Hex Head Bolt	2185-050	
86	6	M10 Safety Fastener *	2177-002	
87	2	M10 x 80mm Hex Head Coach Screw *	2114-027	
88	11	M6 x 60mm Torx C'sk Woodscrew *	2111-142	
		<b>Tower Guard Rail - 6185-004</b>		
89	15	Yellow Poepplemann Cup	2611-029_Cup	
90	15	Yellow Poepplemann Cap	2611-029_Cap	
91	15	M10 Washer	2215-508	
92	15	M10 x 50mm Hex Head Coach Screw	2114-029	
		<b>Firemans Pole - 6185-002</b>		
93	8	Yellow Poepplemann Cup	2611-029_Cup	
94	8	Yellow Poepplemann Cap	2611-029_Cap	
95	8	M10 Washer	2215-508	
96	8	M10 x 50mm Hex Head Coach Screw	2114-029	
		<b>For Bark Fix Add:</b>		
97	28	M10 x 30mm Hex Head Screw	2175-116	
98	28	M10 Nut	2193-006	
		<b>Items marked * to be fitted before despatch</b>		

Total No. of Items

Picked By: \_\_\_\_\_ Checked By: \_\_\_\_\_

COMPILED BY: DB	REV	0				
	ECN No.	1729				
DATE: 29/07/15	DATE	29/07/2015				
	SIGN	DB				