

Sunburst Square Tree Grille 1200 x 1200mm

BX 431-4

broxap[®]
street furniture



Standard Unit Dimensions:

Outside measurement:
1200mm x 1200mm

Internal aperture diameter:
500mm

Weight: 100kg

Colours/Finishes:



Black

The colours shown are a guide only.
Please check a colour chart to see the
actual colour.

Product Information

Modern-style cast iron square tree grille. Attached using spiked legged fitting or the actual frame can have specially fabricated lugs to allow them to be bolted together.

Features

- Modern-style Cast Iron
- Tree Grille
- Prevents compaction of soil

Materials Used

- Cast Iron

Fixing Information

- Frames are available as medium or heavy duty, the difference being the amount of central support provided.
- The tree frame is secured into a concrete base by either bolting or sinking the tangs into wet concrete.
- The concrete base sections should be approximately 150mm wide and 200mm deep to provide adequate support.
- The tree grille is secured to the frame using anti-theft clamps.

Options

- Other colours are available

Broxap Limited, Rowhurst Industrial Estate, Chesterton, Newcastle-under-Lyme, Staffordshire, ST5 6BD T: 01782 564411 E: info@broxap.com W: www.broxap.com

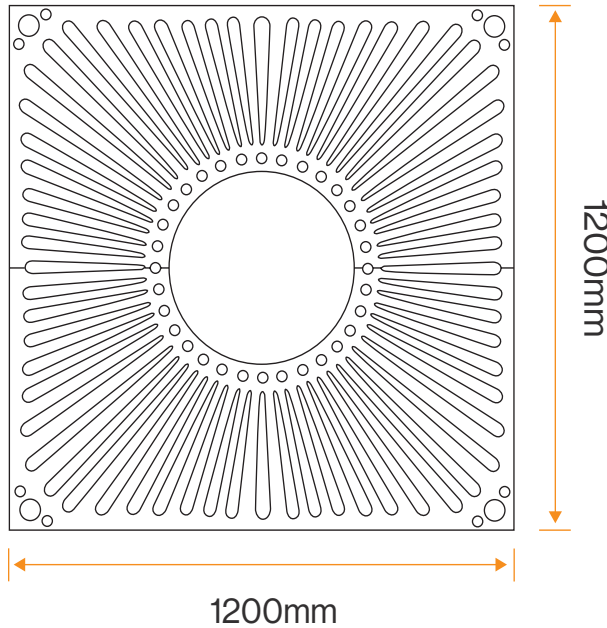


Sunburst Square Tree Grille
1200 x 1200mm

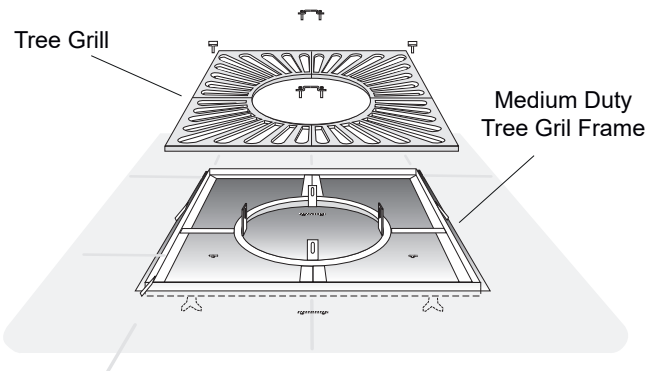
BX 431-4



Diagram



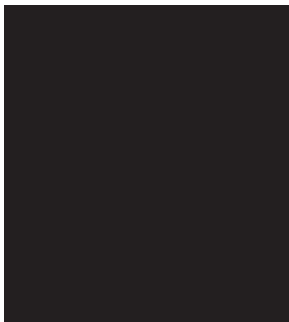
Fixing



Standard Unit Dimensions:

Outside measurement:
1200mm x 1200mm
Internal aperture diameter:
500mm
Weight: 100kg

Colours/Finishes:

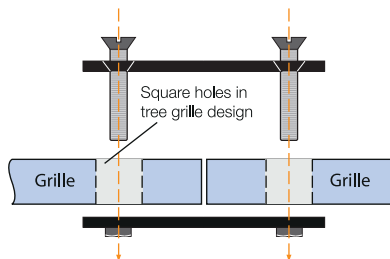


Black

The colours shown are a guide only. Please check a colour chart to see the actual colour.

Anti-theft clamp

Broxap's standard anti-theft clamps prevent unauthorised removal of grille segments and help to ensure correct alignment of individual pieces.



Broxap Limited, Rowhurst Industrial Estate, Chesterton, Newcastle-under-Lyme, Staffordshire, ST5 6BD T: 01782 564411 E: info@broxap.com W: www.broxap.com



ISO 9001
Quality Management Systems
CERTIFIED

ISO 14001
Environmental Management
CERTIFIED

ISO 45001
Occupational Health and Safety Management
CERTIFIED

