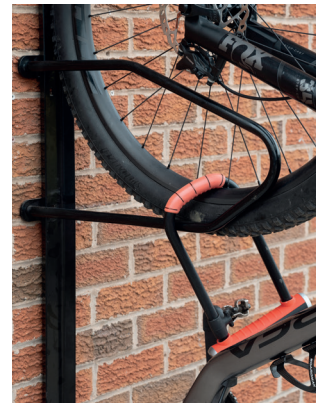


Tower Bridge Cycle Stand BXMW/TOB-LK



Standard Unit Dimensions:

Diameter: 505mm
Height: 1200mm

Capacities:

Cycle rack to fit 1 cycle

Colours/Finishes:

RAL 9005

Jet Black

The colours shown are a guide only.
Please check a colour chart to see the actual colour.

Product Information

The Tower Bridge is a great space saving cycle stand and is the ideal solution for internal areas where space is at a premium. It includes a variety of features available to help secure your bike. This space saving wall mounted Cycle Stand is only available galvanised & polyester powder coated Black.

Features

- Mild steel cycle rack to fit 1 cycle
- Wall mounted
- Galvanised & Polyester powder coated Black
- Front wheel mounted at intermediate level
- Steady support at low level

Materials Used

- Mild Steel

Finish Options

- Galvanised & Polyester Powder Coated Black

Broxap Limited, Rowhurst Industrial Estate, Chesterton, Newcastle-under-Lyme, Staffordshire, ST5 6BD T: 01782 564411 E: info@broxap.com W: www.broxap.com



ISO 9001
Quality
Management
Systems
CERTIFIED

ISO 14001
Environmental
Management
CERTIFIED

ISO 45001
Occupational
Health and Safety
Management
CERTIFIED



Tower Bridge Cycle Stand BXMW/TOB-LK



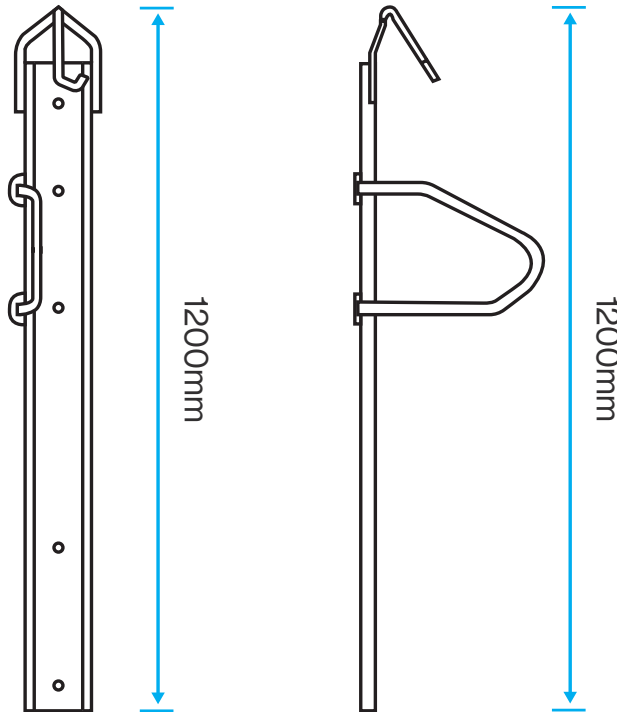
Warranties

- 12 months' warranty* on parts & labour (Excludes general wear and tear)
- *Maintenance and other qualifying criteria apply

Options

- Fixing kits
- Optional installation service

Diagram



Front View

Side View

Standard Unit Dimensions:

Diameter: 505mm
Height: 1200mm

Capacities:

Cycle rack to fit 1 cycle

Colours/Finishes:

RAL 9005

Jet Black

The colours shown are a guide only.
Please check a colour chart to see the actual colour.

Broxap Limited, Rowhurst Industrial Estate, Chesterton, Newcastle-under-Lyme, Staffordshire, ST5 6BD T: 01782 564411 E: info@broxap.com W: www.broxap.com



ISO 9001
Quality Management Systems
CERTIFIED

ISO 14001
Environmental Management
CERTIFIED

ISO 45001
Occupational Health and Safety Management
CERTIFIED

