



### Standard Unit Dimensions:

Bespoke sizes to suit customer requirements

### Framework Colours/Finishes:

Galvanised Only	RAL 9006 White Aluminium	RAL 7016 Anthracite Grey
BS 4800 10 A 07 Nimbus Grey	RAL 3020 Traffic Red	RAL 9005 Jet Black
BS 4800 14 C 39 Holly Green	RAL 1023 Traffic Yellow	BS 4800 00 A 05 Goose Grey
RAL 5015 Mid Blue	RAL 5013 Dark Blue	RAL 9016 Traffic White

The colours shown are a guide only. Please check a colour chart to see the actual colour.

## Product Information

With a highly contemporary design, the Sheffield Wave Canopy is strong, durable and pleasing to the eye. A bespoke sinusoidal canopy with integral gutter and rain water pipes with PETg UV roof cladding and curved toughened safety glass roof panels.

## Features

- ClearView PETg UV roofing provides excellent visibility and light transmission into play area
- Increased column-free area to utilise
- Anti-climb columns minimise risk of potential accident
- Submerged column fixing
- Welded end frames and purlin section made from heavy-duty box
- Hot dipped galvanised to BS EN ISO 1461:2009

## Materials Used

- Framework - Mild steel
- Cladding - Clear View PETg UV roof
- Fasteners - Zinc plated
- Cover Strips - Aluminium capex

## Finish Options (Framework)

- Galvanised to BS EN ISO 1461:2009
- Galvanised to BS EN ISO 1461:2009 & Polyester Powder Coated

Broxap Limited, Rowhurst Industrial Estate, Chesterton, Newcastle-under-Lyme, Staffordshire, ST5 6BD T: 01782 564411 E: info@broxap.com W: www.broxap.com



ISO 9001  
Quality Management Systems  
CERTIFIED

ISO 14001  
Environmental Management  
CERTIFIED

ISO 45001  
Occupational Health and Safety Management  
CERTIFIED



## Sheffield Wave Canopy BXMW/WAV

### Weather Resistance

Cladding is UV Stabilised  
Wind resistant to 23m/s

### Fire Resistance

Cladding is fire tested to '1Y' for BS 476

### Guarantees, Warranties, Design-Life and Life-Expectancies

- 25 year structural guarantee\*
- 34 year (min) life expectancy for Hot Dip Galvanizing
- 8-10 year life expectancy on standard powder coatings
- 10-15 year life expectancy on Duplex (Zinc Coated) powder coatings
- 10 years' manufacturers guarantees\* on cladding material(s)
- 10 years' warranty\* on material (only)
- 12 months' warranty\* on parts & labour

\*Maintenance and other qualifying criteria apply

### Options

- Trapezoidal Roof Cladding (other finishes available)
- Internal lighting or solar lighting
- Opal or bronze tinted PETg
- Full installation service

#### Standard Unit Dimensions:

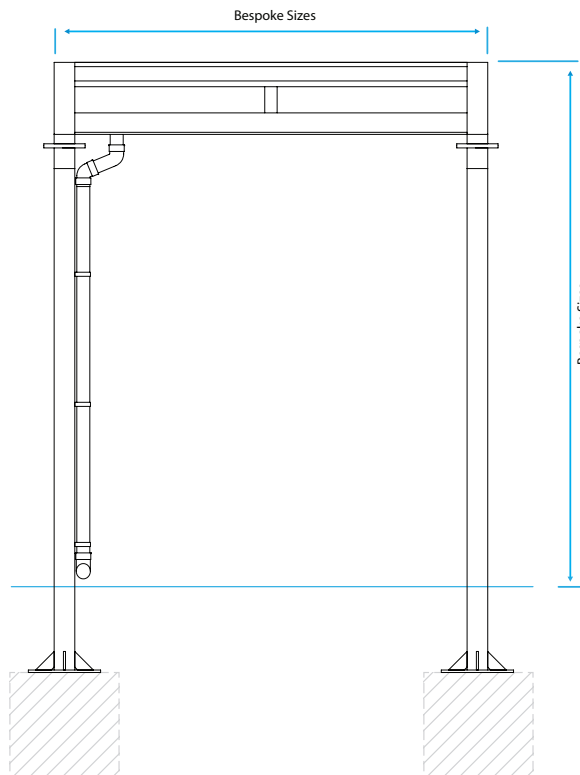
Bespoke sizes to suit customer requirements

#### Framework Colours/Finishes:

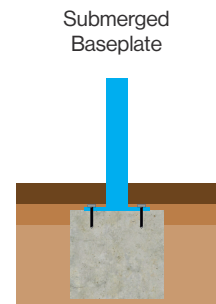
Galvanised Only	RAL 9006 White Aluminium	RAL 7016 Anthracite Grey
BS 4800 10 A 07 Nimbus Grey	RAL 3020 Traffic Red	RAL 9005 Jet Black
BS 4800 14 C 39 Holly Green	RAL 1023 Traffic Yellow	BS 4800 00 A 05 Goose Grey
RAL 5015 Mid Blue	RAL 5013 Dark Blue	RAL 9016 Traffic White

The colours shown are a guide only. Please check a colour chart to see the actual colour.

### Diagram



### Installation



Broxap Limited, Rowhurst Industrial Estate, Chesterton, Newcastle-under-Lyme, Staffordshire, ST5 6BD T: 01782 564411 E: info@broxap.com W: www.broxap.com



ISO 9001  
Quality Management Systems  
CERTIFIED

ISO 14001  
Environmental Management  
CERTIFIED

ISO 45001  
Occupational Health and Safety Management  
CERTIFIED

