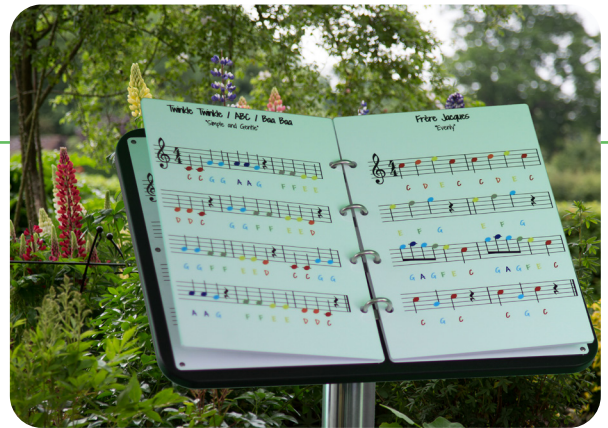


Music Book



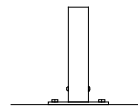
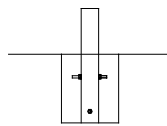
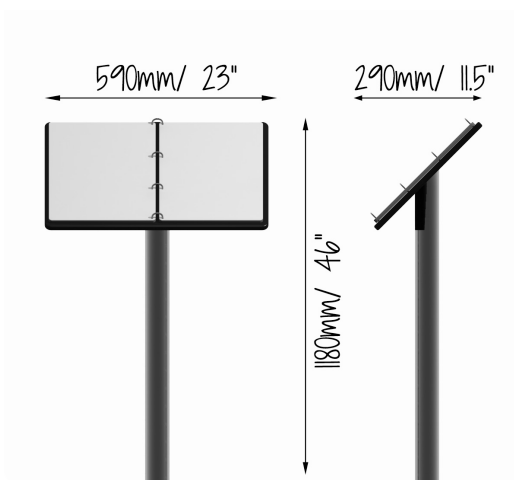
Description

The Music Book is designed to accompany the Cavatina or Capella using our Rainbow Scale and is permanently installed outside.

Materials and Features

HDPE body with composite laminated pages.
316 mirror polished stainless steel leg.
Vandal resistant 300 series stainless steel fixings.

The Music Book is available with two music sheets (four tunes) or four music sheets (eight tunes). There are a variety of tunes available, further details can be found on the Percussion Play website.



Box Dimensions	Weight (kg)	L (cm)	W (cm)	H (cm)
Music Book 1 of 2	15	65	65	12
Music Book 2 of 2	5	120	10	10

*Surface fixing instruments will include additional packages containing fixing plates.

Find more information and watch the video [here](#).

Standard Compliance BS EN 1176

Warranty: Limited Twenty-Five (25), Limited Ten (10) Year & Limited Two (2) Year warranty

BOOK/Issue 002