

## Penarth Gullwing Pick-Up & Drop-Off Canopy

**BXDB/PEN/GUL-PUDO**



### Standard Unit Dimensions:

Made to Measure

### Framework Colours/Finishes:

	RAL 9006 White Aluminium	RAL 7016 Anthracite Grey
BS 4800 10 A 07 Nimbus Grey	RAL 3020 Traffic Red	RAL 9005 Jet Black
BS 4800 14 C 39 Holly Green	RAL 1023 Traffic Yellow	BS 4800 00 A 05 Goose Grey
RAL 5015 Mid Blue	RAL 5013 Dark Blue	RAL 9016 Traffic White

The colours shown are a guide only. Please check a colour chart to see the actual colour.

## Product Information

Comprising a single row of uprights with a gullwing shaped roof, this pick-up and drop-off canopy provides a fixed covered area for all year round protection. With a modern galvanised steel frame, the polycarbonate cladding provides a bright, light and airy waiting zone.

## Features

- Gullwing design
- Available in many sizes / orientations
- Modular extension to any length
- Multiwall Polycarbonate roof cladding
- Aluminium guttering & down pipes
- Submerged fixing
- Robust, tough construction
- Framework galvanised to BS EN ISO 1461:2022
- Steel fixings galvanised to BS EN ISO 1461:2022

## Materials Used

- Framework - Mild steel
- Cladding - 16mm structured multi-wall polycarbonate
- Glazing Clamps - Aluminium

## Finish Options

- Hot dip galvanised to BS EN ISO 1461:2022
- Galvanised to BS EN ISO 1461:2022 & Polyester Powder Coated

Broxap Limited, Rowhurst Industrial Estate, Chesterton, Newcastle-under-Lyme, Staffordshire, ST5 6BD T: 01782 564411 E: info@broxap.com W: www.broxap.com



ISO 9001  
Quality Management Systems  
CERTIFIED

ISO 14001  
Environmental Management  
CERTIFIED

ISO 45001  
Occupational Health and Safety Management  
CERTIFIED



## Penarth Gullwing Pick-Up & Drop-Off Canopy

**BXDB/PEN/GUL-PUDO**



### Weather Resistance

- BS EN 1991-1-3:2003 Eurocode 1 - snow loads
- BS EN 1991-1-4:2005 Eurocode 1 - wind loads
- Cladding is UV Stabilised

### Fire Resistance

Cladding is fire tested to '1Y' for BS 476

### Guarantees, Warranties, Design-Life and Life-Expectancies

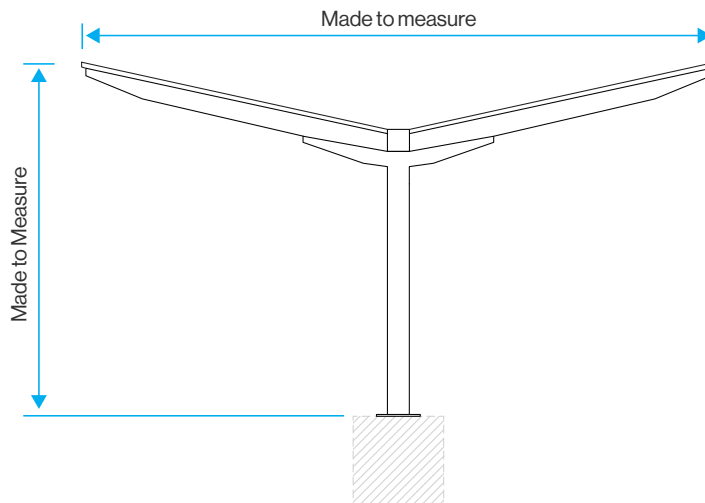
- 25 year structural guarantee\*
- 34 year (min) life expectancy for Hot Dip Galvanizing
- 8-10 year life expectancy on standard powder coatings
- 10-15 year life expectancy on Duplex (Zinc Coated) powder coatings
- 10 years' manufacturers guarantees\* on cladding material(s)
- 12 months' warranty\* on parts & labour

\*Maintenance and other qualifying criteria apply

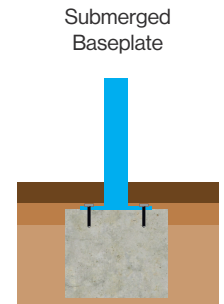
### Options

- Framework powder coated to any standard RAL colour
- Opal or Bronze roof Cladding
- Metal profile, trapezoidal roof cladding
- Glazed roof cladding
- Infill panels in PETg UV
- Glazed Infill panels
- LED lighting or solar lighting
- Protective Post Pads
- Full installation service

### Diagram



### Installation



#### Standard Unit Dimensions:

Made to Measure

#### Framework Colours/Finishes:

Galvanised Only	RAL 9006 White Aluminium	RAL 7016 Anthracite Grey
BS 4800 10 A 07 Nimbus Grey	RAL 3020 Traffic Red	RAL 9005 Jet Black
BS 4800 14 C 39 Holly Green	RAL 1023 Traffic Yellow	BS 4800 00 A 05 Goose Grey
RAL 5015 Mid Blue	RAL 5013 Dark Blue	RAL 9016 Traffic White

The colours shown are a guide only. Please check a colour chart to see the actual colour.

Broxap Limited, Rowhurst Industrial Estate, Chesterton, Newcastle-under-Lyme, Staffordshire, ST5 6BD T: 01782 564411 E: info@broxap.com W: www.broxap.com



ISO 9001  
Quality Management Systems  
CERTIFIED

ISO 14001  
Environmental Management  
CERTIFIED

ISO 45001  
Occupational Health and Safety Management  
CERTIFIED

