

PLAY EQUIPMENT SPECIFICATION SHEET

HENRY IV
BX/HMP 160009



SPECIFICATION:

Age Range:



Unit Height (m):



Minimum Use Zone (m²):



Critical Fall Height (m):



MATERIALS USED:

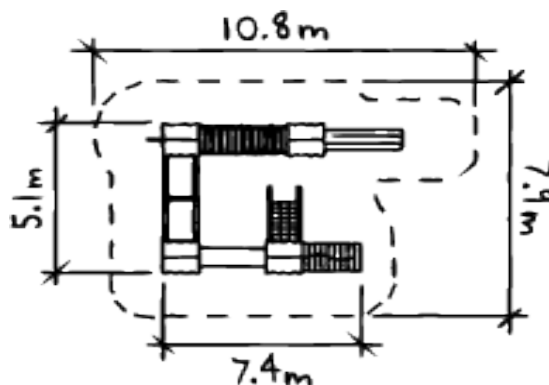
Timber

PRODUCT INFORMATION

Children can climb the ladders, or use the rockhold ramp to get up to the top, and then slide down either the pole, or slide to return to the ground. Perfect for any play space this play unit is great for children aged five and up.

Please note: This play unit now has timber roofs on towers and as such the product that you receive will differ slightly from the images provided.

DIAGRAM



Hand Made Places, Rowhurst Industrial Estate, Chesterton, Newcastle-under-Lyme, Staffordshire, ST5 6BD T: 01782 571777 E: info@handmadeplaces.co.uk W: www.handmadeplaces.co.uk



All dimensions are in millimeters, weights in kilograms and capacities in litres, are approximate and do not form any part of the contract. All prices are guide prices only and should be used for estimating purposes only. Broxap Limited reserve the right to change the design, specification or price of any item sold at any time. All prices exclude VAT and delivery. Please Note: All information on this data sheet is subject to orientation (N,S,E,W) altitude and proximity to buildings, but is sufficient for use as general/preliminary information.