

Litchard Picnic Unit BX17 4071/P



Standard Unit Dimensions:

Length: 1800mm
Width (Table): 800mm
Width (Bench): 435mm
Height (Table): 700mm
Height (Bench): 450mm

Framework Colours/Finishes:

Galvanised Only Finish	RAL 9006 White Aluminium	RAL 7016 Anthracite Grey
BS 4800 10 A 07 Nimbus Grey	RAL 3020 Traffic Red	RAL 9005 Jet Black
BS 4800 14 C 39 Holly Green	RAL 1023 Traffic Yellow	BS 4800 00 A 05 Goose Grey
RAL 5015 Mid Blue	RAL 5013 Dark Blue	RAL 9016 Traffic White

The colours shown are a guide only.
Please check a colour chart to see the
actual colour.

Product Information

The Litchard Picnic Unit comprises of one table and two benches to create one cohesive unit. The modern, aesthetically pleasing design lends itself to any external works package and will complement any environment.

Features

- Timber slatted tops with heavy duty mild steel frame
- Galvanised to BS EN ISO 1461:2009
- Available as Baseplated as standard

Materials Used

- Galvanised steel
- Treated softwood slats

Other Materials Available

- Hardwood Iroko

Broxap Limited, Rowhurst Industrial Estate, Chesterton, Newcastle-under-Lyme, Staffordshire, ST5 6BD T: 01782 564411 E: info@broxap.com W: www.broxap.com



ISO 9001
Quality
Management
Systems
CERTIFIED

ISO 14001
Environmental
Management
CERTIFIED

ISO 45001
Occupational
Health and Safety
Management
CERTIFIED



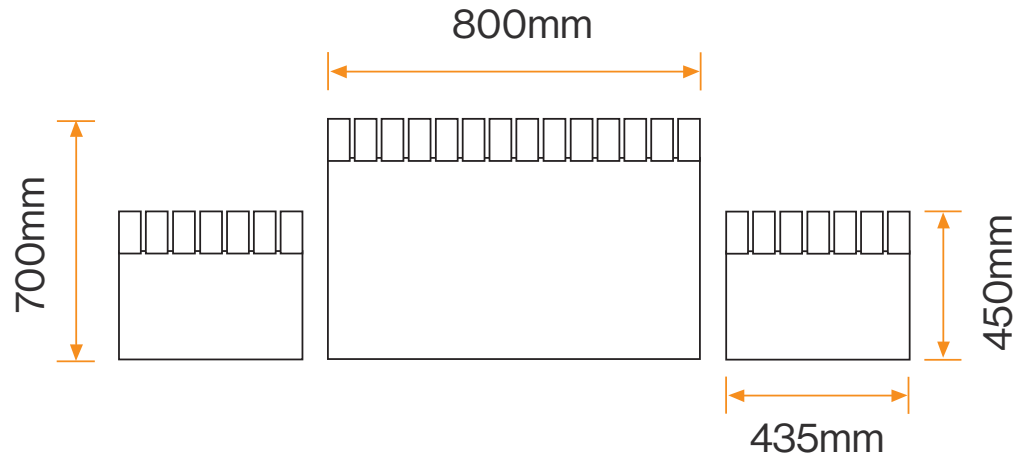
Litchard Picnic Unit BX17 4071/P



Options

- Available root fixed at an extra cost
- Available in a range of standard RAL and BS Colours

Diagram



Standard Unit Dimensions:

Length: 1800mm
 Width (Table): 800mm
 Width (Bench): 435mm
 Height (Table): 700mm
 Height (Bench): 450mm

Framework Colours/Finishes:

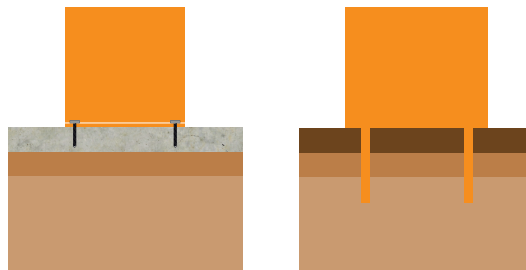
Galvanised Only Finish	RAL 9006 White Aluminium	RAL 7016 Anthracite Grey
BS 4800 10 A 07 Nimbus Grey	RAL 3020 Traffic Red	RAL 9005 Jet Black
BS 4800 14 C 39 Holly Green	RAL 1023 Traffic Yellow	BS 4800 00 A 05 Goose Grey
RAL 5015 Mid Blue	RAL 5013 Dark Blue	RAL 9016 Traffic White

The colours shown are a guide only.
 Please check a colour chart to see the actual colour.

Installation

Surface Mounted Baseplate

Root/Submerged Fixing



Broxap Limited, Rowhurst Industrial Estate, Chesterton, Newcastle-under-Lyme, Staffordshire, ST5 6BD T: 01782 564411 E: info@broxap.com W: www.broxap.com

