

# Installation Instructions

**1. Attach bongos to wall mount with the M10x50 security screws, square washers and PU mounts. (1.1) (See Assembly Guide)**

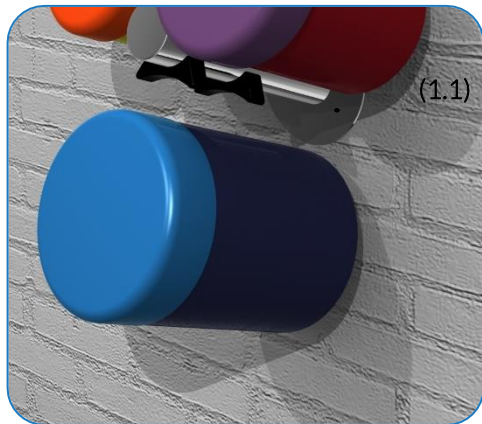
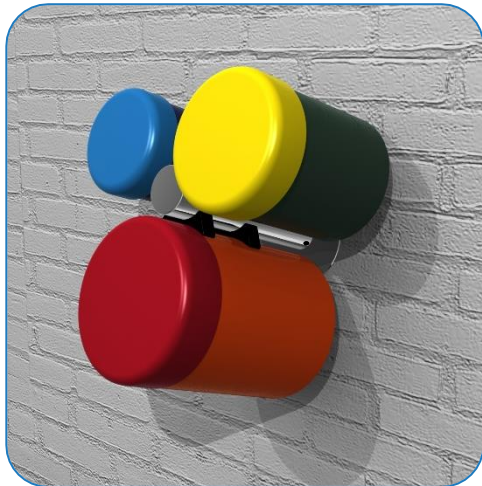
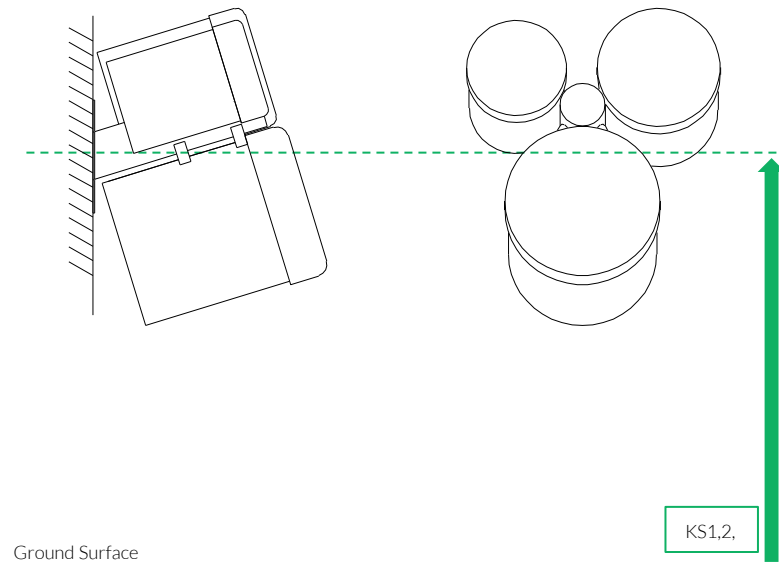
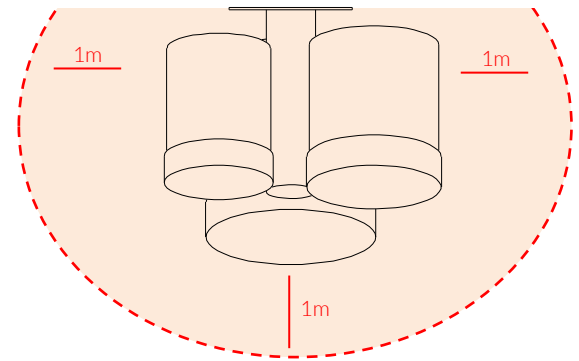
**2. Position Bongos in desired location, according to correct Key stage height, this may require 2 persons.**

**3. Mark hole locations (X3) on** Using mount plate as a guide, making sure instrument is level. **Use Template supplied**

**4. Drill hole locations (X3) according to your chosen fixings** (frame fixings, wall bolts or chemical anchors) depending of the structure of the wall.

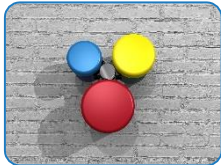
**5. Fix through Plate (X3) with suitable fixings** (not supplied) in correct orientation and Key stage

Install Instrument with 1m free space (from widest point) around it.







## Wall Mounted

Rainbow Trio Bongos  
1 of 2



### Instrument Components:

-  x6
-  x6
-  x4
-  x2

Metric Conversion:  
700mm/ 28"  
850mm/ 33"  
1m/ 39"

Weight of heaviest part 7 kg (bongos)



Wall Fix Components:



Wall Anchors not supplied



Spares available from [percussionplay.com](http://percussionplay.com) or from your local distributor

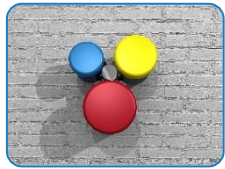
7 Kg

Tools:

 x1  
TX 45 Driver Bit

## Wall Mounted

Rainbow Trio Bongos  
2 of 2



### Instrument Components:



x6

M10x50 Security Screw



x6

M10x50x3 Square washer



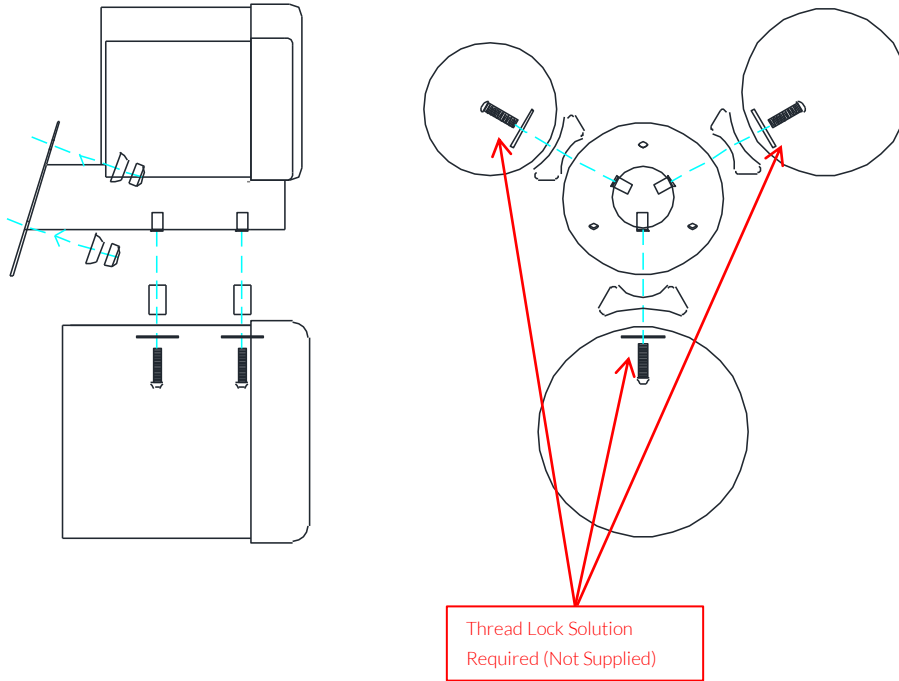
x4

PU 200 Mount



x2

PU 250 Mount



### COMPONENTS LIST:



M10x50 Pin torx X6



M10x50x3 square washer X6



PU MOUNT 200 X4



PU MOUNT 250 X2



2 Part Cover Cap X3

