

Edale Rustic 3 Slat Seat BX17 4022



Standard Unit Dimensions:

Length: 2000mm
Width: 580mm
Height: 770mm
Root Length: 300mm
Weight: 80kg

Colours/Finishes:



Treated Softwood



Hardwood Iroko

The colours shown are a guide only.
Please check a colour chart to see the
actual colour.

Product Information

The Edale Rustic 3 Slat Seat combines natural aesthetics with functionality to create seat perfect for any rural surroundings. Perfectly suited to natural green spaces and parks, this timber bench is available in treated softwood (as pictured) or hardwood iroko.

Features

- Supplied root fixed only
- Constructed using treated softwood as standard
- Three slat timber seat
- Supplied as flat pack as standard

Materials Used

- Treated Softwood

Other Materials Available

- Hardwood Iroko

Options

- Root fixed only - Extended legs allow ground fixing
- Treated softwood or Hardwood iroko

Broxap Limited, Rowhurst Industrial Estate, Chesterton, Newcastle-under-Lyme, Staffordshire, ST5 6BD T: 01782 564411 E: info@broxap.com W: www.broxap.com



ISO 9001
Quality
Management
Systems
CERTIFIED

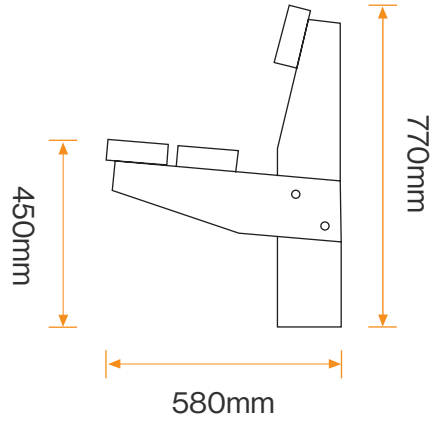
ISO 14001
Environmental
Management
CERTIFIED

ISO 45001
Occupational
Health and Safety
Management
CERTIFIED



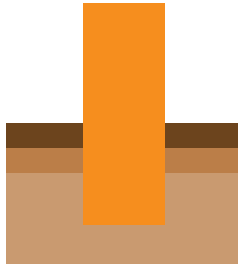
Edale Rustic 3 Slat Seat
BX17 4022

Diagram



Installation

Root/Submerged Fixing



Standard Unit Dimensions:

- Length: 2000mm
- Width: 580mm
- Height: 770mm
- Root Length: 300mm
- Weight: 80kg

Colours/Finishes:



Treated Softwood



Hardwood Iroko

The colours shown are a guide only. Please check a colour chart to see the actual colour.

Broxap Limited, Rowhurst Industrial Estate, Chesterton, Newcastle-under-Lyme, Staffordshire, ST5 6BD T: 01782 564411 E: info@broxap.com W: www.broxap.com

