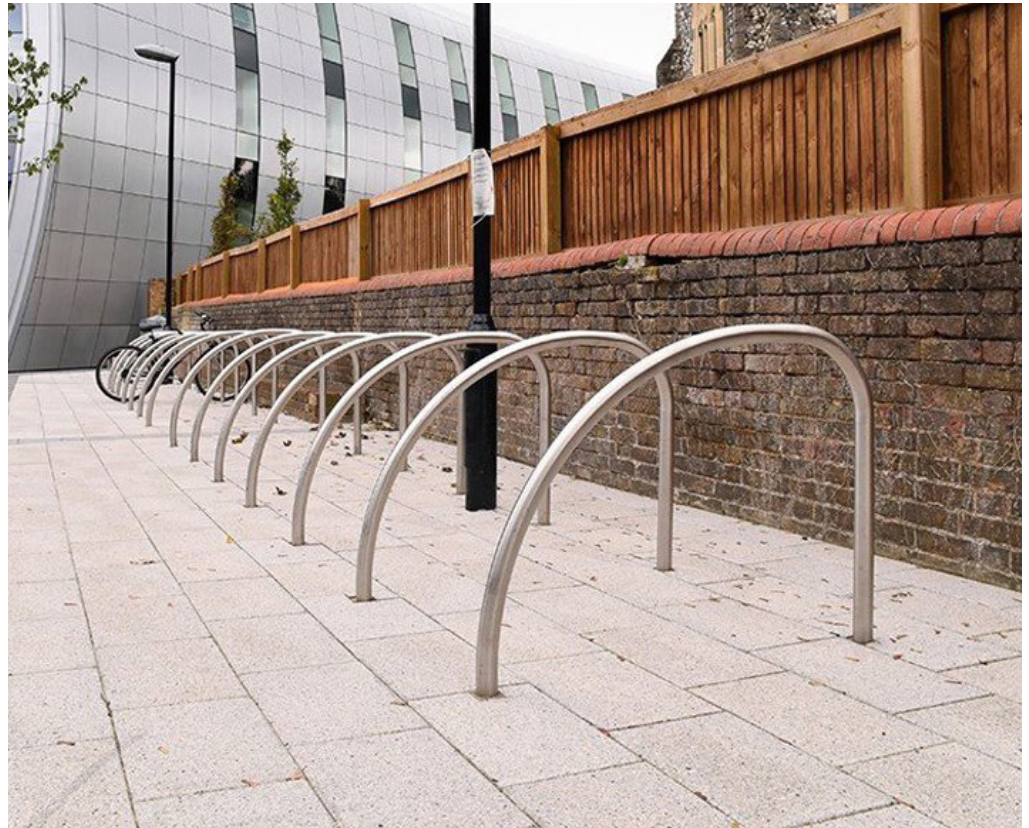


Curve Cycle Stand BXMW/CURVE



Standard Unit Dimensions:

Height: 800mm
Width: 980mm

Recommended spacing between cycle stands:

800mm

Colours/Finishes:

| | | |
|--------------------------------|-----------------------------|-------------------------------|
| Galvanised Only | RAL 9006 White Aluminium | RAL 7016 Anthracite Grey |
| BS 4800 10 A 07 Nimbus Grey | RAL 3020 Traffic Red | RAL 9005 Jet Black |
| BS 4800 14 C 39 Holly Green | RAL 1023 Traffic Yellow | BS 4800 00 A 05 Goose Grey |
| RAL 5015 Mid Blue | RAL 5013 Dark Blue | RAL 9016 Traffic White |

The colours shown are a guide only.
Please check a colour chart to see the actual colour.

Product Information

Curved style cycle stand, available in a variety of finishes and fixings.

Features

- Hot dipped galvanised to BS EN ISO 1461:2009
- Simple and easy to install
- Lean to design allows bike to be locked in two places
- Available root fixed or baseplated

Materials Used

- Framework - Mild Steel

Finish Options

- Galvanised to BS EN ISO 1461:2009
- Galvanised to BS EN ISO 1461:2009 & Polyester Powder Coated
- Stainless Steel Grade 304
- Stainless Steel Grade 316

Broxap Limited, Rowhurst Industrial Estate, Chesterton, Newcastle-under-Lyme, Staffordshire, ST5 6BD T: 01782 564411 E: info@broxap.com W: www.broxap.com



ISO 9001
Quality
Management
Systems
CERTIFIED

ISO 14001
Environmental
Management
CERTIFIED

ISO 45001
Occupational
Health and Safety
Management
CERTIFIED



Curve Cycle Stand BXMW/CURVE

Guarantees, Warranties, Design-Life and Life-Expectancies

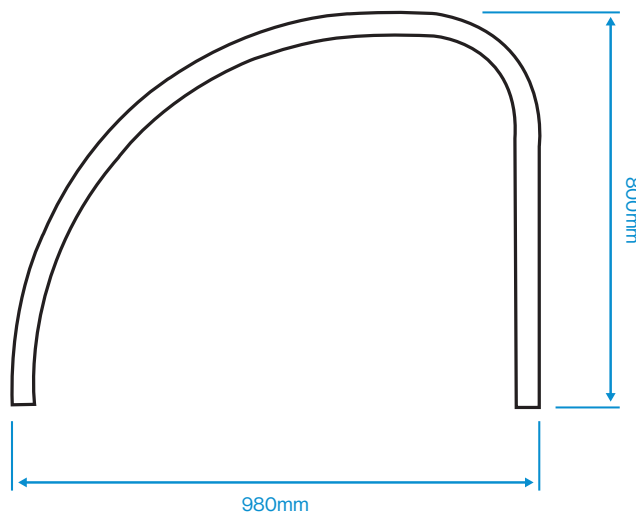
- 34 year (min) life expectancy for Hot Dip Galvanizing
- 8-10 year life expectancy on standard powder coatings
- 10-15 year life expectancy on Duplex (Zinc Coated) powder coatings
- 12 months' warranty* on parts & labour

*Maintenance and other qualifying criteria apply

Options

- Available root fixed or base plated
- Various finishes available
- Polyester powder coating to RAL and BS colours

Diagram



Standard Unit Dimensions:

Height: 800mm
Width: 980mm

Recommended spacing between cycle stands:

800mm

Colours/Finishes:

| | | |
|--------------------------------|-----------------------------|-------------------------------|
| Galvanised Only | RAL 9006 White Aluminium | RAL 7016 Anthracite Grey |
| BS 4800 10 A 07 Nimbus Grey | RAL 3020 Traffic Red | RAL 9005 Jet Black |
| BS 4800 14 C 39 Holly Green | RAL 1023 Traffic Yellow | BS 4800 00 A 05 Goose Grey |
| RAL 5015 Mid Blue | RAL 5013 Dark Blue | RAL 9016 Traffic White |

The colours shown are a guide only.
Please check a colour chart to see the actual colour.

Broxap Limited, Rowhurst Industrial Estate, Chesterton, Newcastle-under-Lyme, Staffordshire, ST5 6BD T: 01782 564411 E: info@broxap.com W: www.broxap.com



ISO 9001
Quality Management Systems
CERTIFIED

ISO 14001
Environmental Management
CERTIFIED

ISO 45001
Occupational Health and Safety Management
CERTIFIED

