



Standard Unit Dimensions:

Bespoke sizes to suit customer requirements

Colours/Finishes:

Galvanised Only	White Aluminium	Anthracite Grey
BS 4800 10 A 07 Nimbus Grey	Traffic Red	Jet Black
BS 4800 14 C 39 Holly Green	Traffic Yellow	Goose Grey
Mid Blue	Dark Blue	Traffic White

The colours shown are a guide only. Please check a colour chart to see the actual colour.

Product Information

The Cambridge Arch is a versatile, modular and elegant canopy. Ideal for outdoor eating / teaching areas. The unique and striking design of the Cambridge Arch lends itself to a range of uses. This stand-out caopy can create a covered dining or social space for a range of sectors, inclusive of, but not limited to education.

The elegance of the canopy creates a focal point for any outdoor space, partner with contemporary seating options and refuse facilities to create the ultimate outdoor area.

Features

- ClearView PETg UV roof
- True modular design, extensions added without drilling/welding
- Extends from existing roof giving full protection from inclement weather
- Provides UVA/UVB protection
- Welded end frames and purlin section made from heavy duty box section
- Assembled with anti-tamper high strength bolts
- Hot dipped galvanized to BS EN ISO 1461:2009

Materials Used

- Framework - Mild steel
- Cladding - 16mm structured multi-wall polycarbonate
- Fasteners - Zinc plated
- Cover Strips - Aluminium capex

Finish Options (Framework)

- Galvanised to BS EN ISO 1461:2009
- Galvanised to BS EN ISO 1461:2009 & Polyester Powder Coated

Broxap Limited, Rowhurst Industrial Estate, Chesterton, Newcastle-under-Lyme, Staffordshire, ST5 6BD T: 01782 564411 E: info@broxap.com W: www.broxap.com



ISO 9001
Quality Management Systems
CERTIFIED

ISO 14001
Environmental Management
CERTIFIED

ISO 45001
Occupational Health and Safety Management
CERTIFIED



Weather Resistance

Cladding is UV Stabilised
Wind resistant to 23m/s

Fire Resistance

Cladding is fire tested to '1Y' for BS 476

Guarantees, Warranties, Design-Life and Life-Expectancies

- 25 year structural guarantee*
- 34 year (min) life expectancy for Hot Dip Galvanizing
- 8-10 year life expectancy on standard powder coatings
- 10-15 year life expectancy on Duplex (Zinc Coated) powder coatings
- 10 years' manufacturers guarantees* on cladding material(s)
- 10 years' warranty* on material (only)
- 12 months' warranty* on parts & labour

*Maintenance and other qualifying criteria apply

Options

- Bespoke Versions Available
- Metal profile, trapezoidal roof cladding (other finishes available)
- Rain guttering with aluminium drain pipe
- Polyester powder coated to a standard colour
- Can be formed into high security compounds with compatible shelters
- Full installation service
- Internal lighting or solar lighting

Standard Unit Dimensions:

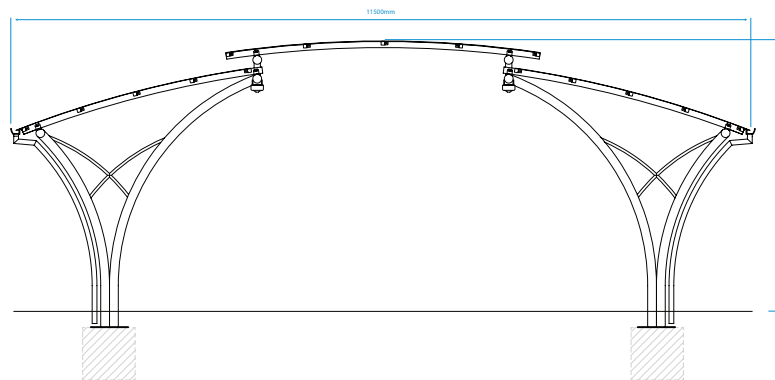
Bespoke sizes to suit customer requirements

Colours/Finishes:

Galvanised Only	RAL 9006 White Aluminium	RAL 7016 Anthracite Grey
BS 4800 10 A 07 Nimbus Grey	RAL 3020 Traffic Red	RAL 9005 Jet Black
BS 4800 14 C 39 Holly Green	RAL 1023 Traffic Yellow	BS 4800 00 A 05 Goose Grey
RAL 5015 Mid Blue	RAL 5013 Dark Blue	RAL 9016 Traffic White

The colours shown are a guide only.
Please check a colour chart to see the actual colour.

Diagram



Installation

