



### Standard Unit Dimensions:

#### Lengths & Widths:

4000mm x 4000mm  
5000mm x 5000mm  
6000mm x 6000mm

### Framework Colours/Finishes:

	RAL 9006 White Aluminium	RAL 7016 Anthracite Grey
BS 4800 10 A 07 Nimbus Grey	RAL 3020 Traffic Red	RAL 9005 Jet Black
BS 4800 14 C 39 Holly Green	RAL 1023 Traffic Yellow	BS 4800 00 A 05 Goose Grey
RAL 5015 Mid Blue	RAL 5013 Dark Blue	RAL 9016 Traffic White

The colours shown are a guide only.  
Please check a colour chart to see the actual colour.

## Product Information

Cairns white canopy with galvanized poles and frames, providing 100% UV protection. Framework available in a range of different colours at additional cost.

## Features

- Poles and frames galvanized - powder coated option available
- Hot dipped galvanized steel fixings
- PVC Waterproof Fabric
- 100% UV protection

## Materials Used

- Made from heavy-duty S355 steel section
- Hot dipped galvanized to BS EN ISO 1461:2009
- PVC Waterproof Fabric

## Finish Options (Framework)

- Galvanised to BS EN ISO 1461:2009
- Galvanised to BS EN ISO 1461:2009 & Polyester Powder Coated

Broxap Limited, Rowhurst Industrial Estate, Chesterton, Newcastle-under-Lyme, Staffordshire, ST5 6BD T: 01782 564411 E: info@broxap.com W: www.broxap.com



ISO 9001  
Quality Management Systems  
CERTIFIED

ISO 14001  
Environmental Management  
CERTIFIED

ISO 45001  
Occupational Health and Safety Management  
CERTIFIED



### Design Standards

- All structures are installed to tolerances in NSSS 7TH addition – Accuracy in Building, by CRB checked, professional installation teams
- BS EN 1993-1-1:2005 Eurocode 3 – Design of steel structures
- BS EN 1991-1-3:2003 Eurocode 1 – Snow Loads

### Fire Resistance

Fabric conforms to Euro class EN13501-1

### Guarantees, Warranties, Design-Life and Life-Expectancies

- 25 year structural guarantee\*
- 34 year (min) life expectancy for Hot Dip Galvanizing
- 8-10 year life expectancy on standard powder coatings
- 10-15 year life expectancy on Duplex (Zinc Coated) powder coatings
- 10 years' warranty\* Ferrari 832
- 12 months' warranty\* on parts & labour

\*Maintenance and other qualifying criteria apply

### Options

- Post protectors
- Framework powder coated to any standard RAL colour
- Full installation service

#### Standard Unit Dimensions:

##### Lengths & Widths:

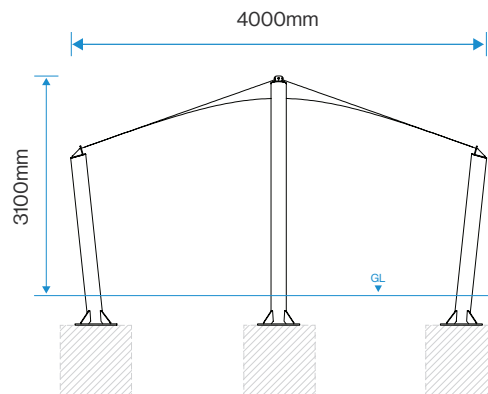
4000mm x 4000mm  
5000mm x 5000mm  
6000mm x 6000mm

#### Framework Colours/Finishes:

Galvanised Only	RAL 9006 White Aluminium	RAL 7016 Anthracite Grey
BS 4800 10 A 07 Nimbus Grey	RAL 3020 Traffic Red	RAL 9005 Jet Black
BS 4800 14 C 39 Holly Green	RAL 1023 Traffic Yellow	BS 4800 00 A 05 Goose Grey
RAL 5015 Mid Blue	RAL 5013 Dark Blue	RAL 9016 Traffic White

The colours shown are a guide only. Please check a colour chart to see the actual colour.

### Diagram



### Installation

#### Bolt Cluster Cone Anchors

