

Caerphilly Seat BX14 4280-S



Standard Unit Dimensions:

Length: 2180mm
Width: 570mm
Overall Height: 810mm
Seat Height: 480mm

Framework Colours/Finishes:

Galvanised Only Finish	Jet Black	Traffic White
Goose Grey	Admiral Grey	Anthracite Grey
Holly Green	Green	Sky Blue
Colbalt Blue	Duchess Blue	Traffic Yellow
Traffic Red		

The colours shown are a guide only. Please check a colour chart to see the actual colour.

Product Information

With its rustic design, the Caerphilly Seat is a great example of how to bring interior style ideas out into the open air. The minimalist approach introduces neutral colours and crisp lines to the outdoors, proving creative and durable can go hand-in-hand.

Features

- Frame is galvanised to BS EN ISO 1461:2009
- Additional option to powder coat in an RAL or BS colour
- Treated softwood timber slats
- This unit is baseplated as standard

Materials Used

- Galvanised steel
- Treated softwood timber slats

Other Materials Available

- Hardwood Iroko timber slats
- Stainless steel frame

Broxap Limited, Rowhurst Industrial Estate, Chesterton, Newcastle-under-Lyme, Staffordshire, ST5 6BD T: 01782 564411 E: info@broxap.com W: www.broxap.com



ISO 9001
Quality Management Systems
CERTIFIED

ISO 14001
Environmental Management
CERTIFIED

ISO 45001
Occupational Health and Safety Management
CERTIFIED

IRM 20178

EMS 45526

OHS 547279

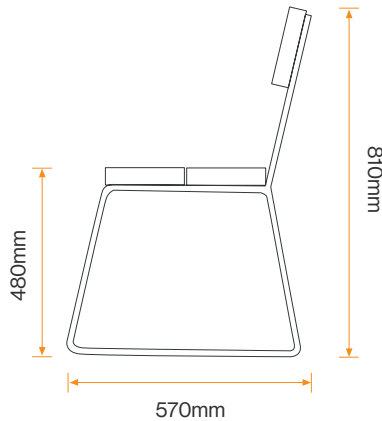


Caerphilly Seat BX14 4280-S

Options

- Armrests
- Stainless steel frame

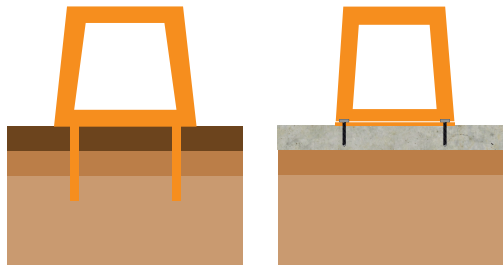
Diagram



Installation

Root/Submerged Fixing

Surface Mounted Baseplate



Standard Unit Dimensions:

Length: 2180mm
Width: 570mm
Overall Height: 810mm
Seat Height: 480mm

Framework Colours/Finishes:

Galvanised Only Finish	Jet Black	Traffic White
Goose Grey	Admiral Grey	Anthracite Grey
Holly Green	Green	Sky Blue
Colbalt Blue	Duchess Blue	Traffic Yellow
Traffic Red		

The colours shown are a guide only. Please check a colour chart to see the actual colour.

Broxap Limited, Rowhurst Industrial Estate, Chesterton, Newcastle-under-Lyme, Staffordshire, ST5 6BD T: 01782 564411 E: info@broxap.com W: www.broxap.com



ISO 9001
Quality Management Systems
CERTIFIED

ISO 14001
Environmental Management
CERTIFIED

ISO 45001
Occupational Health and Safety Management
CERTIFIED

