



Standard Unit Dimensions:

Bespoke sizes to suit customer requirements

Framework Colours/Finishes:

Galvanised Only	White Aluminium	Anthracite Grey
Nimbus Grey	Traffic Red	Jet Black
Holly Green	Traffic Yellow	Goose Grey
Mid Blue	Dark Blue	Traffic White

The colours shown are a guide only. Please check a colour chart to see the actual colour.

Product Information

A tensile fabric canopy, the Barton combines a full cantilever design with a white waterproof fabric roof cladding. The Barton offers stylish circular uprights with an eye catching scalloped edge to the fabric. Also ideal for applications where a white fabric canopy is required to offer weather protection and shade, but where two rows of uprights cannot be accommodated due to obstructions (E.g Existing services near a building, Doorways, Windows etc).

Features

- 100% Waterproof PVC Cladding
- 100% UV Protection
- Submerged fixing
- Robust, tough construction
- Welded end frames and purlin section made from heavy duty box section
- Assembled with anti-tamper high strength bolts
- Hot dipped galvanized

Materials Used

- Made from heavy-duty S355 steel section
- Waterproof PVC Membrane
- Hot dipped galvanised to BS EN ISO 1461:2009

Finish Options (Framework)

- Galvanised to BS EN ISO 1461:2009
- Galvanised to BS EN ISO 1461:2009 & Polyester Powder Coated

Broxap Limited, Rowhurst Industrial Estate, Chesterton, Newcastle-under-Lyme, Staffordshire, ST5 6BD T: 01782 564411 E: info@broxap.com W: www.broxap.com



ISO 9001
Quality Management Systems
CERTIFIED

ISO 14001
Environmental Management
CERTIFIED

ISO 45001
Occupational Health and Safety Management
CERTIFIED



Barton Walkway BXTS/BAR

Design Standards

- All structures are installed to tolerances in NSSS 7TH addition – Accuracy in Building, by CRB checked, professional installation teams
- EN 1993-1-1:2005 Eurocode 3 – Design of steel structures
- BS EN 1991-1-3:2003 Eurocode 1 – Snow Loads

Fire Resistance

Fabric conforms to Euro class EN13501-1

Guarantees, Warranties, Design-Life and Life-Expectancies

- 25 year structural guarantee*
- 34 year (min) life expectancy for Hot Dip Galvanizing
- 8-10 year life expectancy on standard powder coatings
- 10-15 year life expectancy on Duplex (Zinc Coated) powder coatings
- 10 years' warranty* Ferrari 832
- 12 months' warranty* on parts & labour

*Maintenance and other qualifying criteria apply

Options

- Framework powder coated to any standard RAL colour
- LED or solar lighting
- Full installation service

Standard Unit Dimensions:

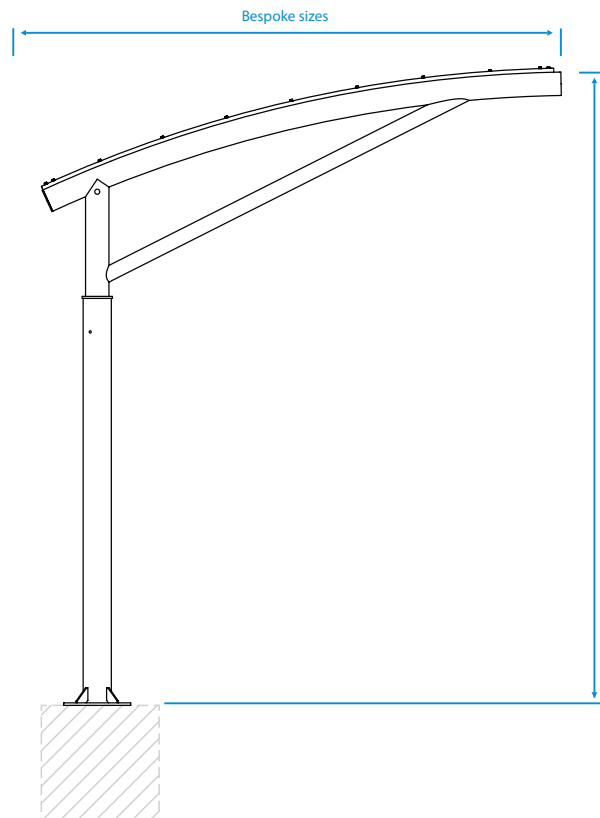
Bespoke sizes to suit customer requirements

Framework Colours/Finishes:

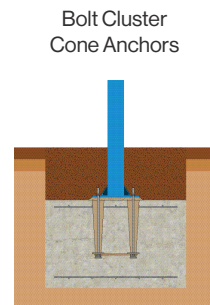
Galvanised Only	RAL 9006 White Aluminium	RAL 7016 Anthracite Grey
BS 4800 10 A 07 Nimbus Grey	RAL 3020 Traffic Red	RAL 9005 Jet Black
BS 4800 14 C 39 Holly Green	RAL 1023 Traffic Yellow	BS 4800 00 A 05 Goose Grey
RAL 5015 Mid Blue	RAL 5013 Dark Blue	RAL 9016 Traffic White

The colours shown are a guide only. Please check a colour chart to see the actual colour.

Diagram



Installation



Broxap Limited, Rowhurst Industrial Estate, Chesterton, Newcastle-under-Lyme, Staffordshire, ST5 6BD T: 01782 564411 E: info@broxap.com W: www.broxap.com



ISO 9001
Quality Management Systems
CERTIFIED

ISO 14001
Environmental Management
CERTIFIED

ISO 45001
Occupational Health and Safety Management
CERTIFIED

