



PERIMETER  
SECURITY  
MANUFACTURER

**PRODUCT TITLE:**

Lochrin Combi™ SL1 Palisade

**PRODUCT DATA SHEET**



## WHY CHOOSE COMBI™ SL1 PALISADE MANUFACTURED BY LOCHRIN BAIN

- Certified to LPS1175 Issue 8: A1 (SR1).
- Unique patented design.
- The first Palisade fence designed to achieve A1 security rating.
- Independently attack tested for a proven robust perimeter solution.
- Manufactured in the UK using British Steel.
- Secured By Design product which is a Police preferred specification.
- The most cost-effective A1 solution on the market.
- Innovative counter bored bolt to pale fixing fittings for added security.
- Manufactured to exceed BS1722-12:2016.
- Drawings can be supplied in both CAD and BIM format.
- 40 year design life guarantee.
- Combi™ is supplied in kit-form for ease of transportation, handling and installation.
- Designed to rake to suit uneven or sloping ground conditions.
- Full range of Pedestrian and Vehicle gates available.
- Cantilever, Tracked and Bi-folding gates available.
- Available in a choice of RAL colours.



RAIL



SCHOOLS



INDUSTRIAL



COMMERCIAL



UTILITY



BORDER



PUBLIC AREAS



**#WESECUREWHATYOUNEEDTOPROTECT**

WWW.LOCHRIN-BAIN.CO.UK SALES@LOCHRIN-BAIN.CO.UK +44 (0)1236 457333





PERIMETER  
SECURITY  
MANUFACTURER

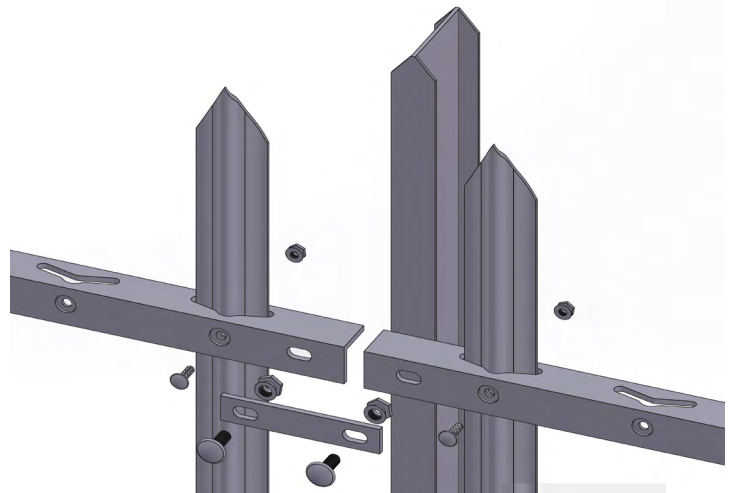
**PRODUCT TITLE:**  
**Lochrin Combi™ SL1 Palisade**  
**PRODUCT DATA SHEET**

## Product Technical Information

Standards:	Manufacturing: BS1722-12:2016. Galvanizing: BS EN ISO 1461:2009. Powder Coating: BS EN 13438:2013. Certified to LPS1175 Issue 8: A1 (SR1).
Panel Height:	1.8m / 2.4m / 3.0m high – bespoke heights available from 1.8m up to 4.5m.
Post Centres:	2.75m (+/-10mm) Bespoke widths available upon request.
Post:	1 No. 102x44x2325mm RSJ (1.8m) / 1 No. 102x44x3125mm RSJ (2.4m) / 1 No. 127x76x3925mm UB (3.0m).
Post to Rail Fixings:	30x8mm x 160mm Fishplate for connecting to rails using M12x30 Cup Square Bolts c/w M12 Shear Nuts.
Rails:	2 No. 45x45x6mm Vee slot RSA (1.8m) / 2 No. 45x45x6mm Vee slot RSA (2.4m) / 3 No. 45x45x6mm Vee slot RSA (3.0m).
Pales:	17 No. 'D' 3mm x 1750mm (1.8m) / 17 No. 'D' 3mm x 2350mm (2.4m) / 17 No. 'D' 3.0mm x 2950mm (3.0m).
Pale Heads:	Single Point.
Pale Fixings:	M8x25 Cup Square Bolts c/w M8 Shear Nut with Anti Vibration Nut to top rail only.
Finish:	Hot Dipped Galvanized as standard with an option to powder coat to various RAL colours including marine grade if required.
Anti-Climb Toppings:	Various options available on request including extensions for Barb, Barbed Tape, Razor Coil & Rotating Spikes.
Gates:	Pedestrian and Vehicle gates are manufactured in various widths to suit LPS1175 Issue 8: A1 Combi™ specification.
Enhancements:	Compatible with all EPID & MPID systems.
Foundations:	Foundation details vary depending on site location and ground conditions, refer to BS1722-12:2016 for guidance.
Warranty:	40 Year design life guarantee provided upon request.



LPS 1175: Issue 8  
Cert/LPCB ref.1337h/01



CLICK NOW

SCAN  
QR CODE  
TO FIND  
OUT MORE

### DISCLAIMER

Contractors shall employ experienced installers, providing qualified supervision to complete works as specified by the manufacturer and in accordance with BS1722-12:2016. Every care has been taken to ensure that the information provided in this document is accurate at date of print. Lochrin Bain Ltd reserve the right to change product specification at any time. Contractors must ensure exact dimensions and specification is confirmed prior to ordering of material and installation.

Document Ref: DS/COMSL1PAL



**#WESECUREWHATYOUNEEDTOPROTECT**  
WWW.LOCHRIN-BAIN.CO.UK SALES@LOCHRIN-BAIN.CO.UK +44 (0)1236 457333

