

Weights:  
 standard approx. 78.8 kg  
 with one-sided. Openings approx. 77.9 kg  
 with both sides. Openings approx. 77.0 kg

**DM 2000.0**

Revision	Drn	Chkd	Date
FOR REFERENCE	SAM		_09.20

**Althon**

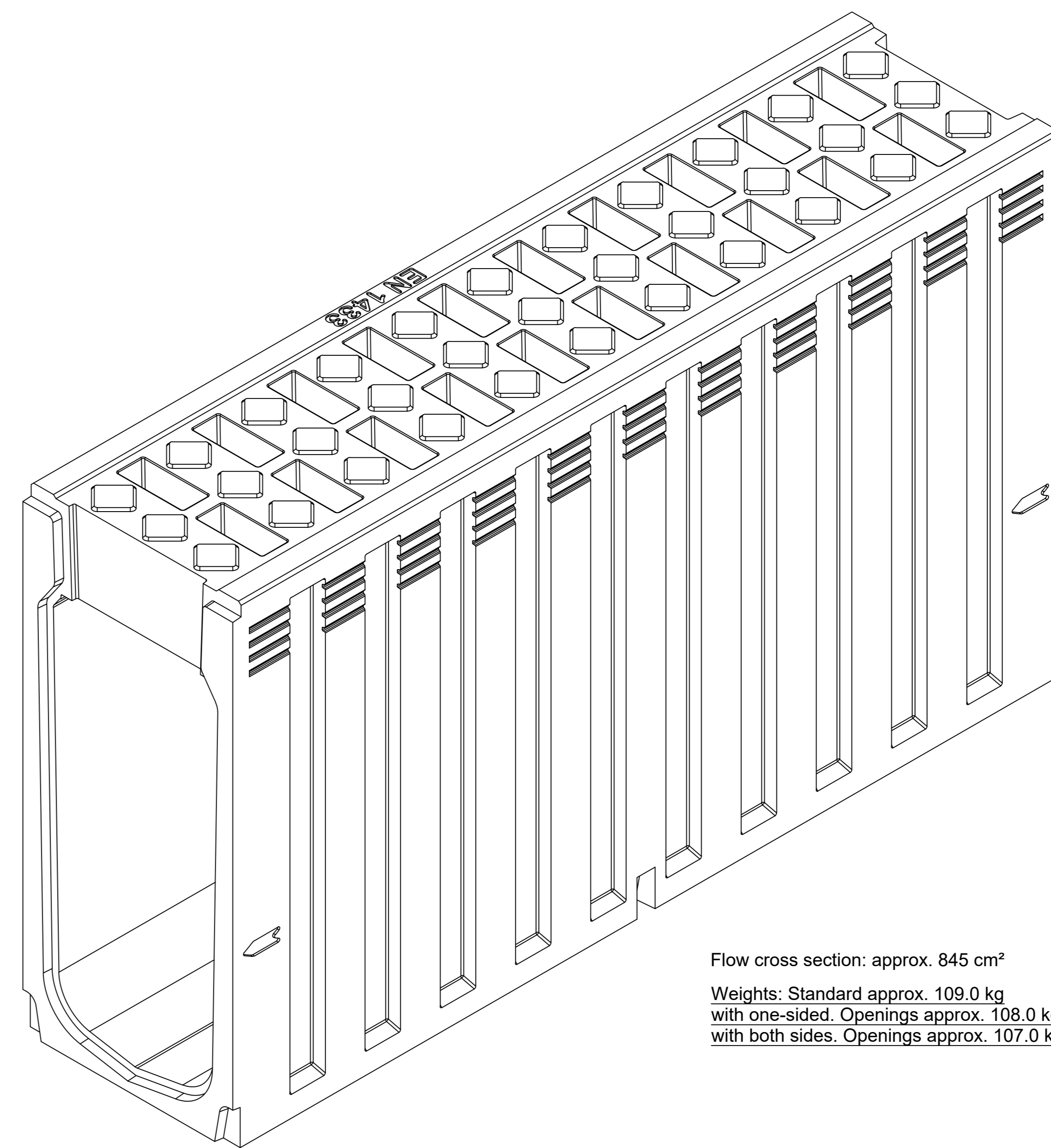
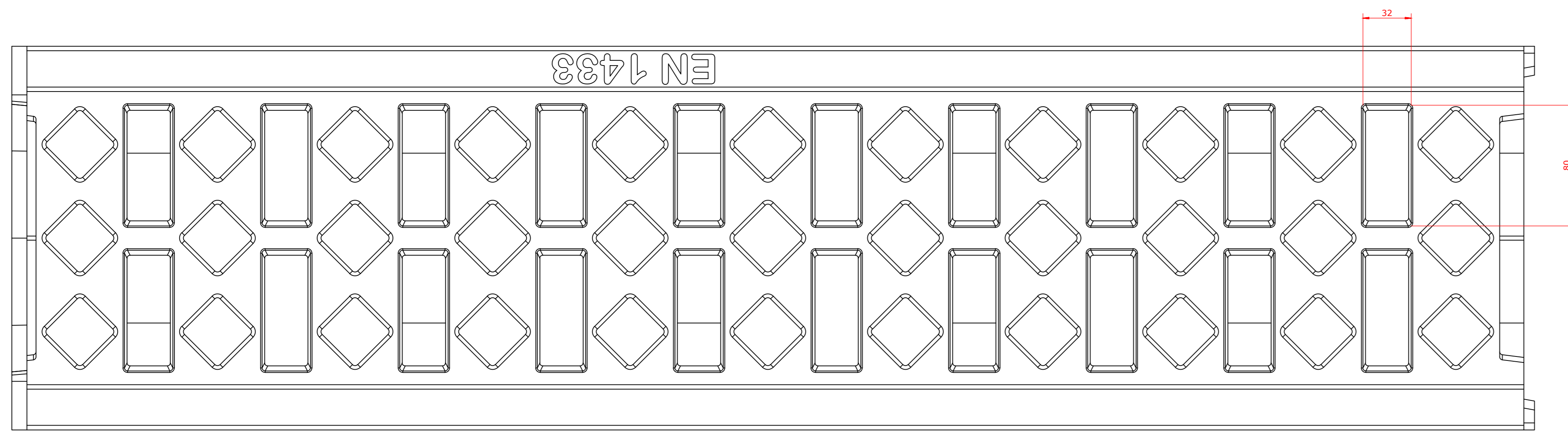
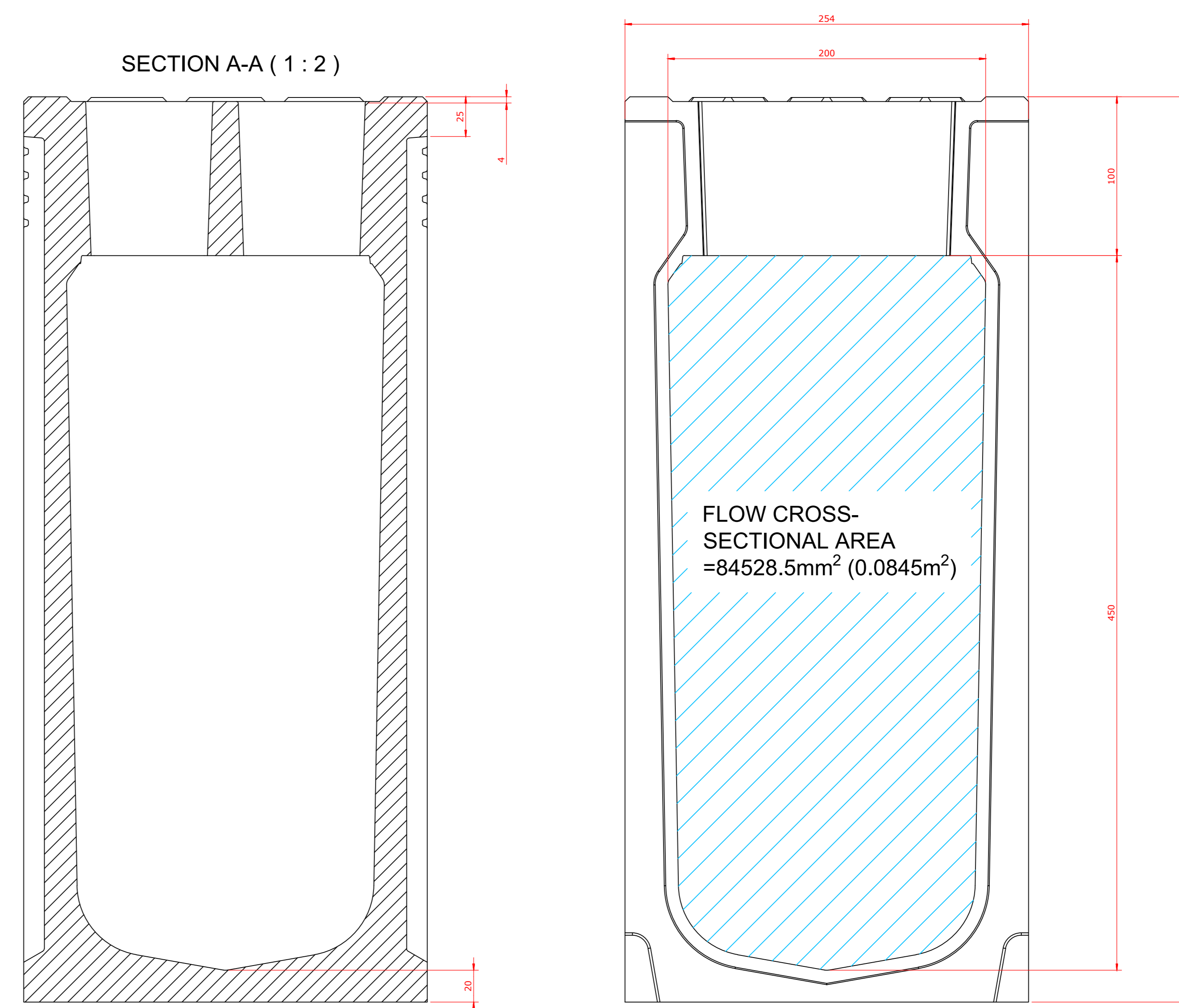
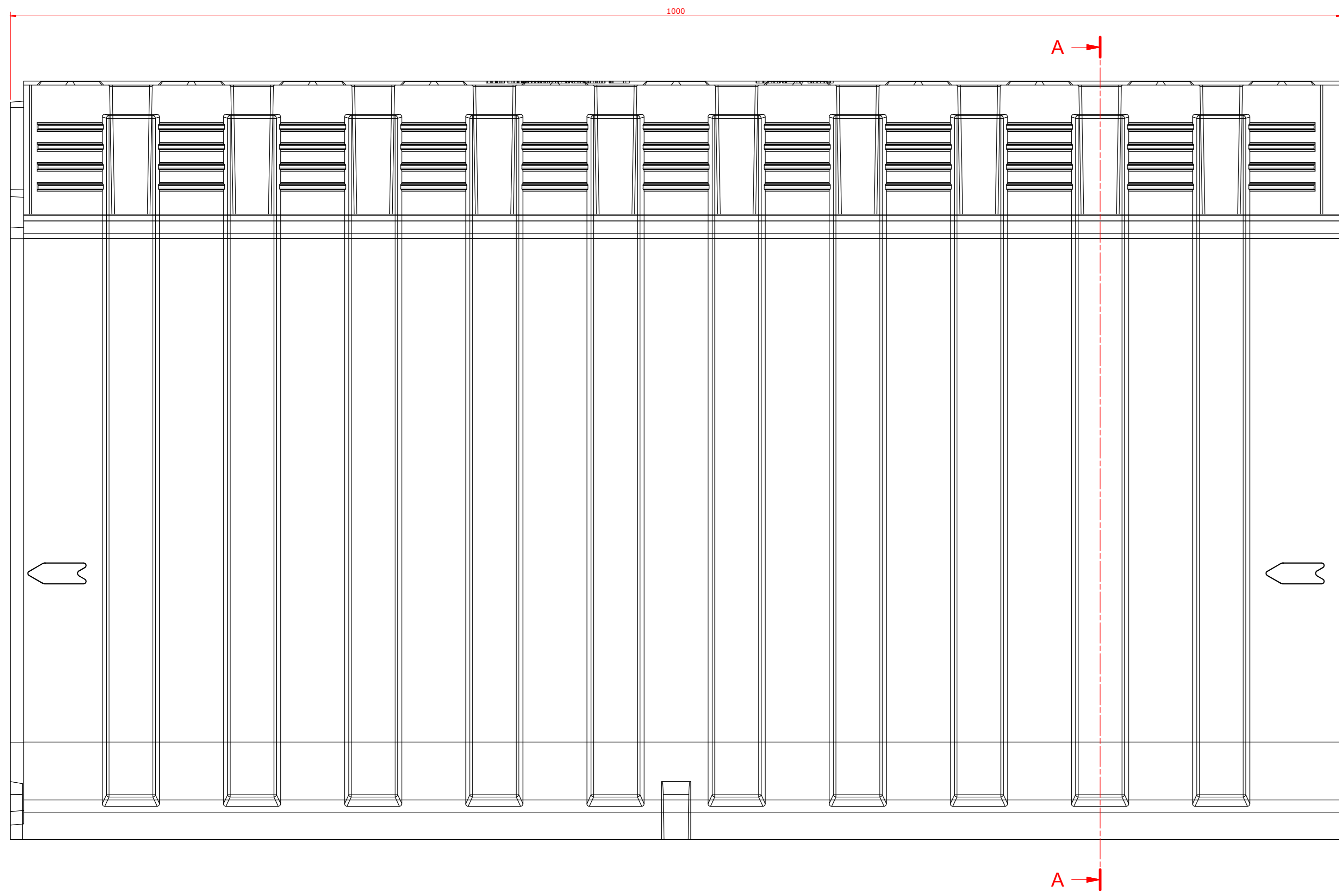
ADDRESS: ALTHON LIMITED  
 VULCAN ROAD SOUTH  
 NORWICH  
 NR6 6AF

TEL: 01603 488700  
 FAX: 01603 488598  
 EMAIL: sales@althon.co.uk  
 WEBSITE: www.althon.co.uk

Client:  
 Project:  
 Drawing Title: UK STOCK LIBRARY DRAWING  
 DM 2000.0  
 010712357

Scale: 1:2 @ A0 Drn: SAM Chkd:  
 Drawing Number: 010712357 Rev:





Flow cross section: approx. 845 cm<sup>2</sup>  
Weights: Standard approx. 109.0 kg  
with one-sided. Openings approx. 108.0 kg  
with both sides. Openings approx. 107.0 kg

**DM 2050.0**

Revision	Drm	Chkd	Date
FOR REFERENCE	SAM		_09.20

**Althon**

ADDRESS: ALTHON LIMITED  
VULCAN ROAD SOUTH  
NORWICH  
NR6 6AF

TEL: 01603 488700  
FAX: 01603 488598  
EMAIL: sales@althon.co.uk  
WEBSITE: www.althon.co.uk

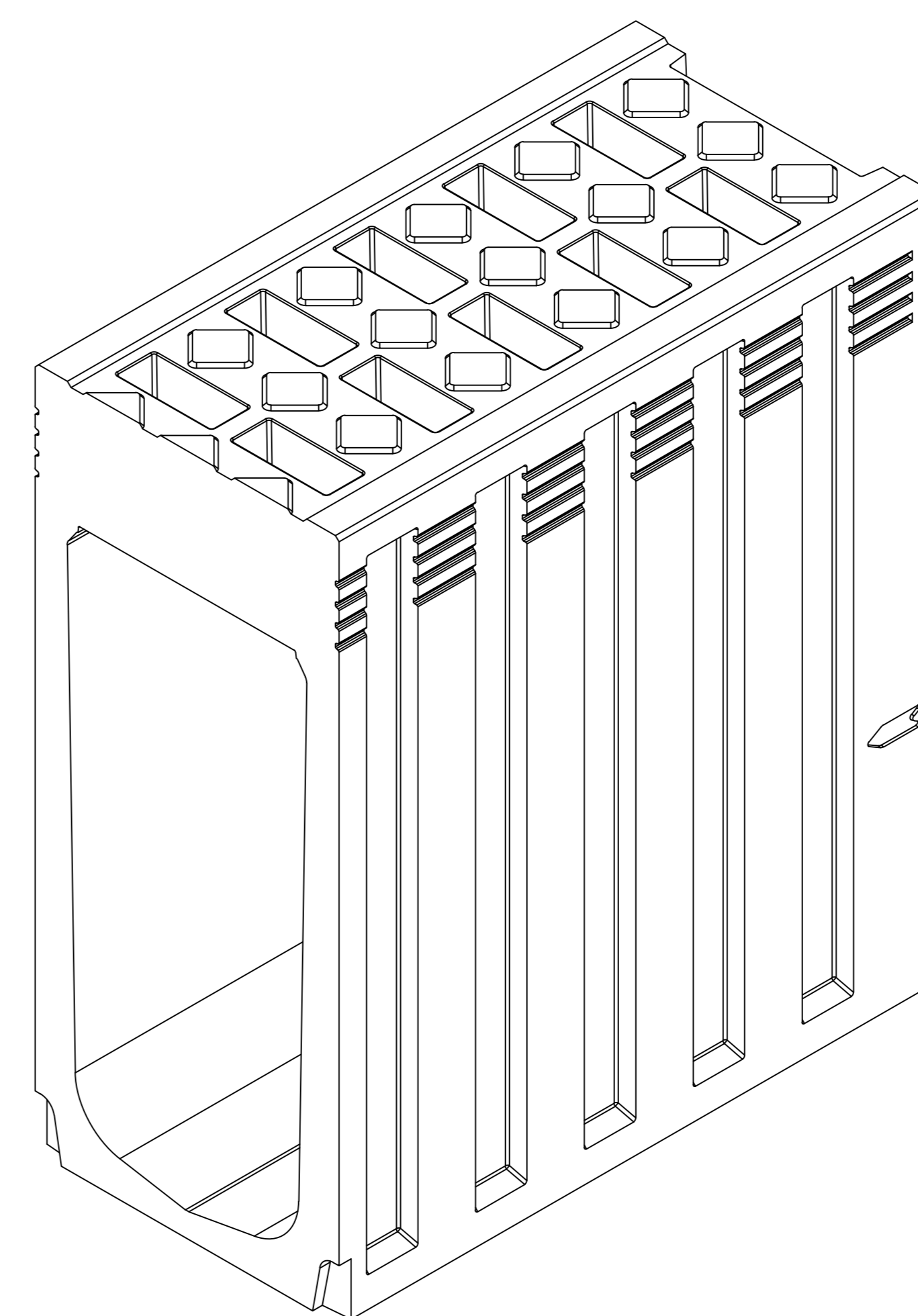
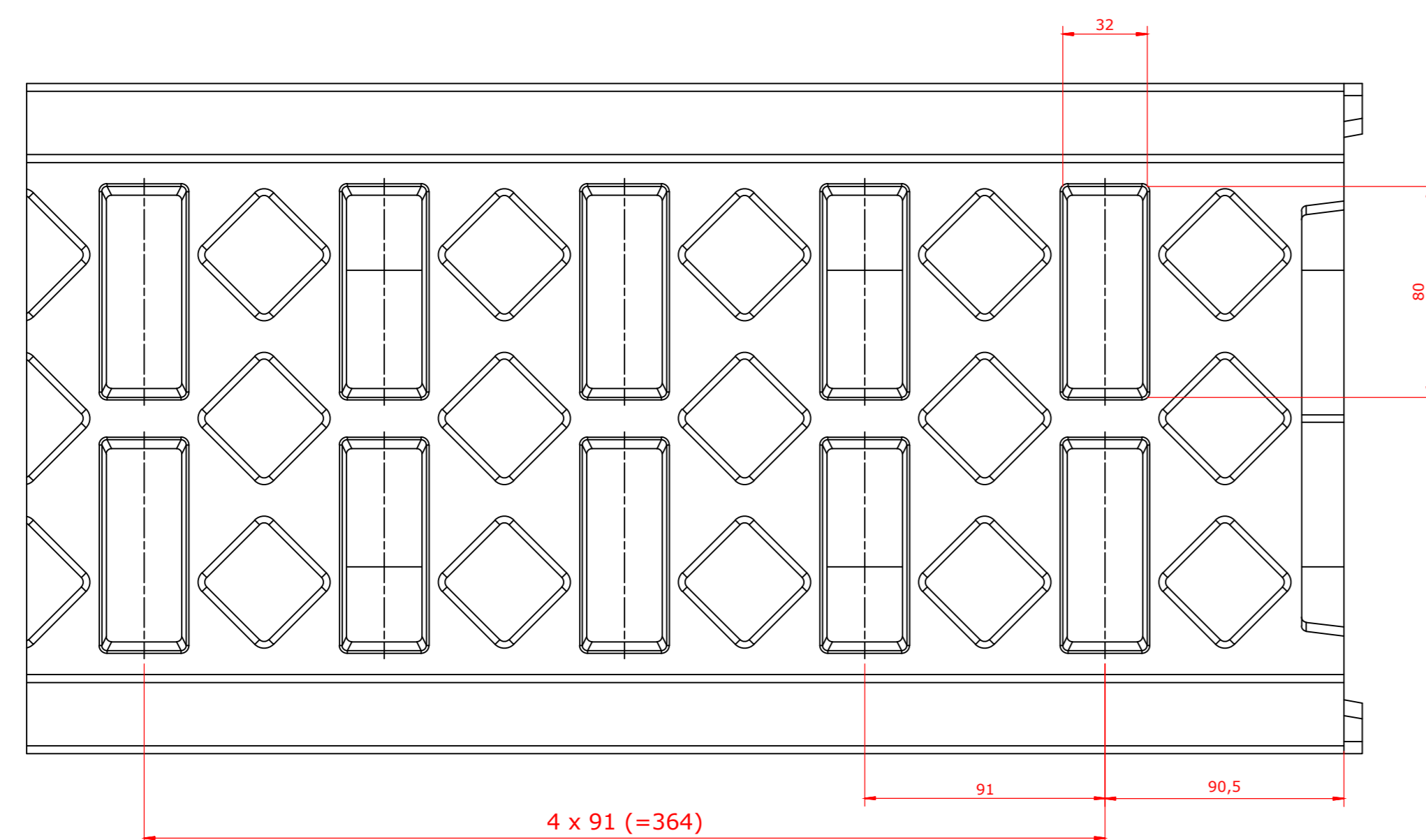
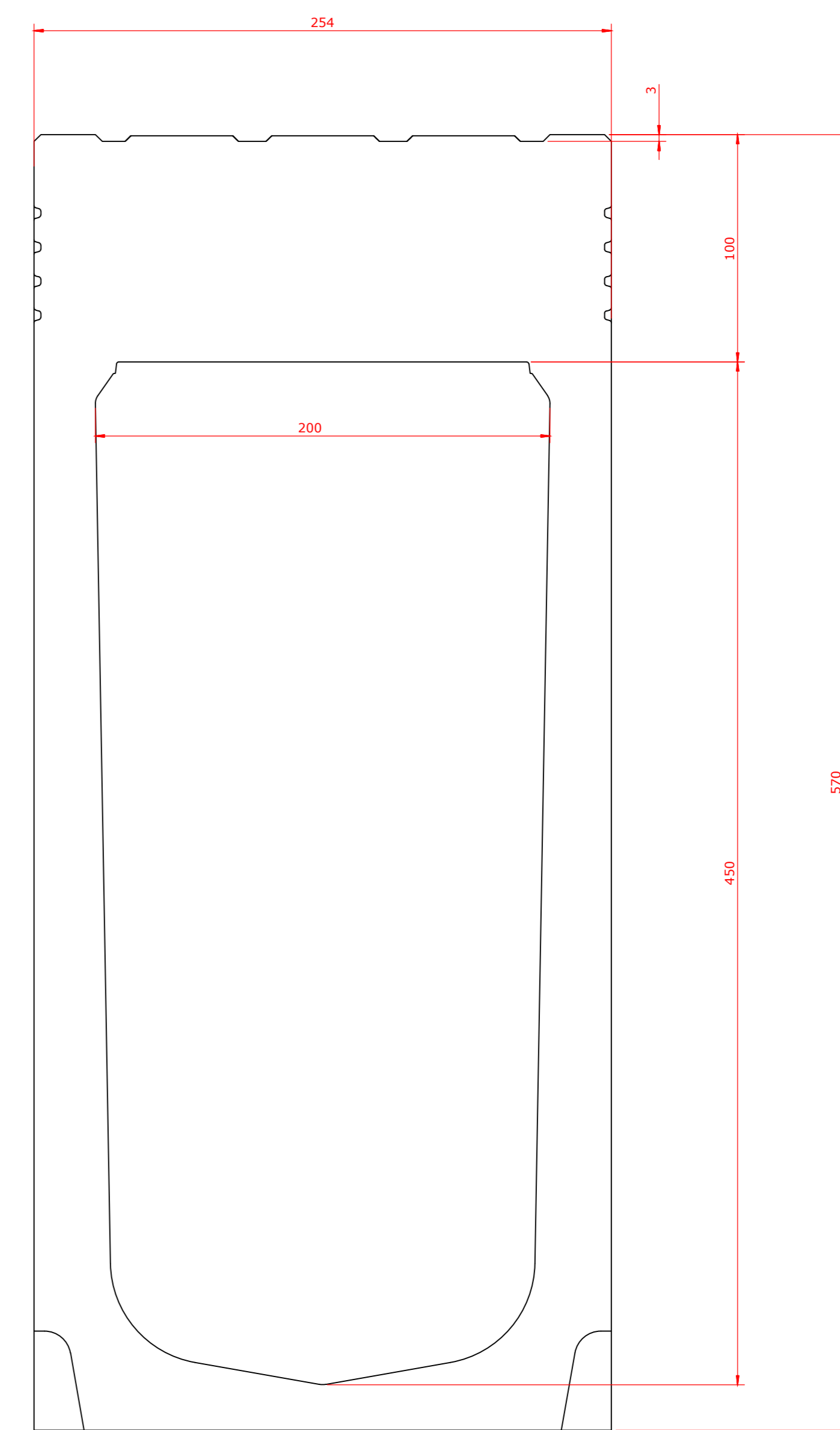
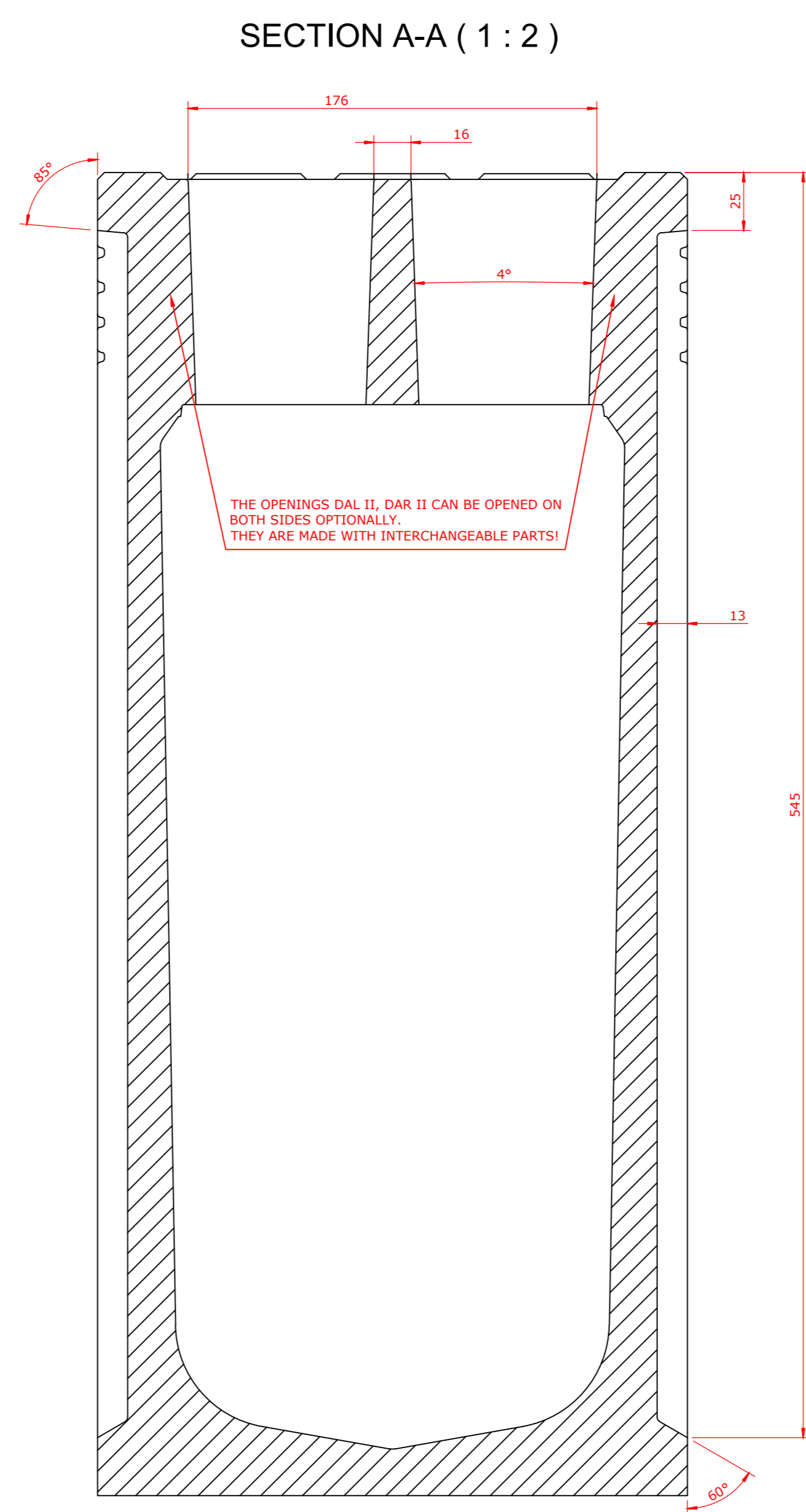
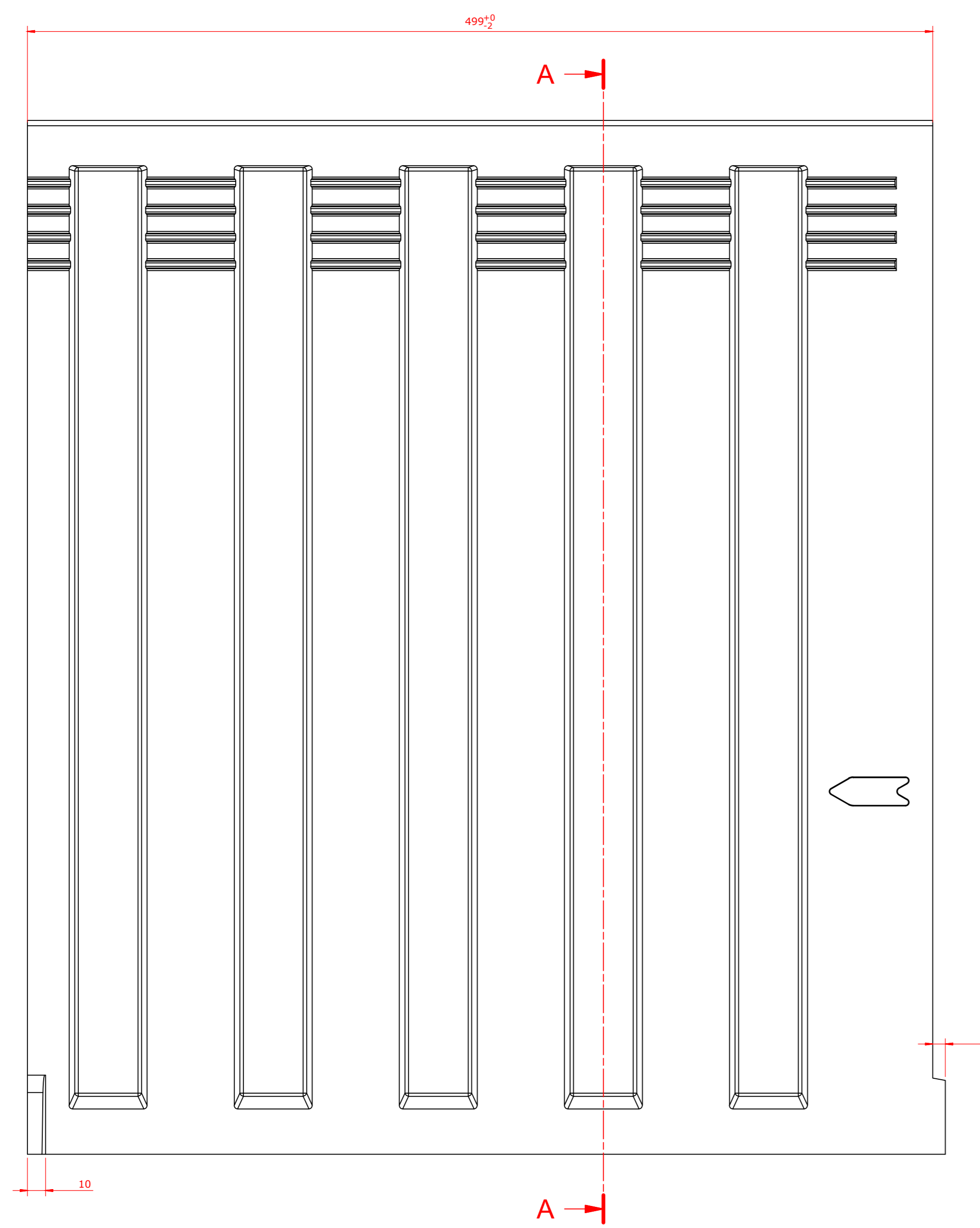
Client:

Project:

Drawing Title:  
UK STOCK LIBRARY DRAWING  
DM 2050.0  
010712762

Scale: 1:2 @ A0    Drm: SAM    Chkd:

Drawing Number:  
010712762    Rev:



**DM 2050.1**

Revision	Drn	Chkd	Date
FOR REFERENCE	SAM		_07.20

**Althon**

ADDRESS: ALTHON LIMITED  
VULCAN ROAD SOUTH  
NORWICH  
NR6 6AF

TEL: 01603 488700  
FAX: 01603 488598  
EMAIL: sales@althon.co.uk  
WEBSITE: www.althon.co.uk

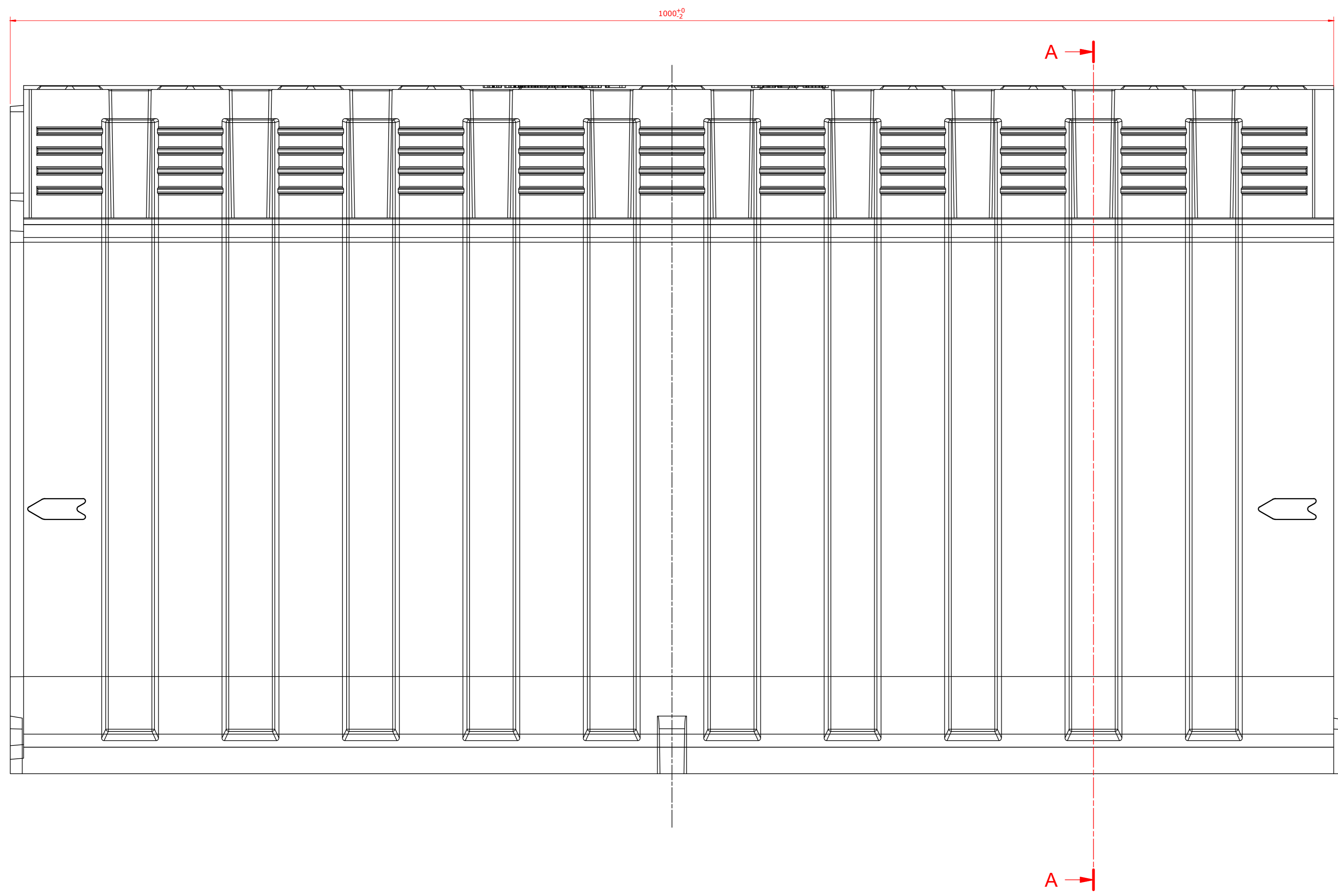
Client:

Project:

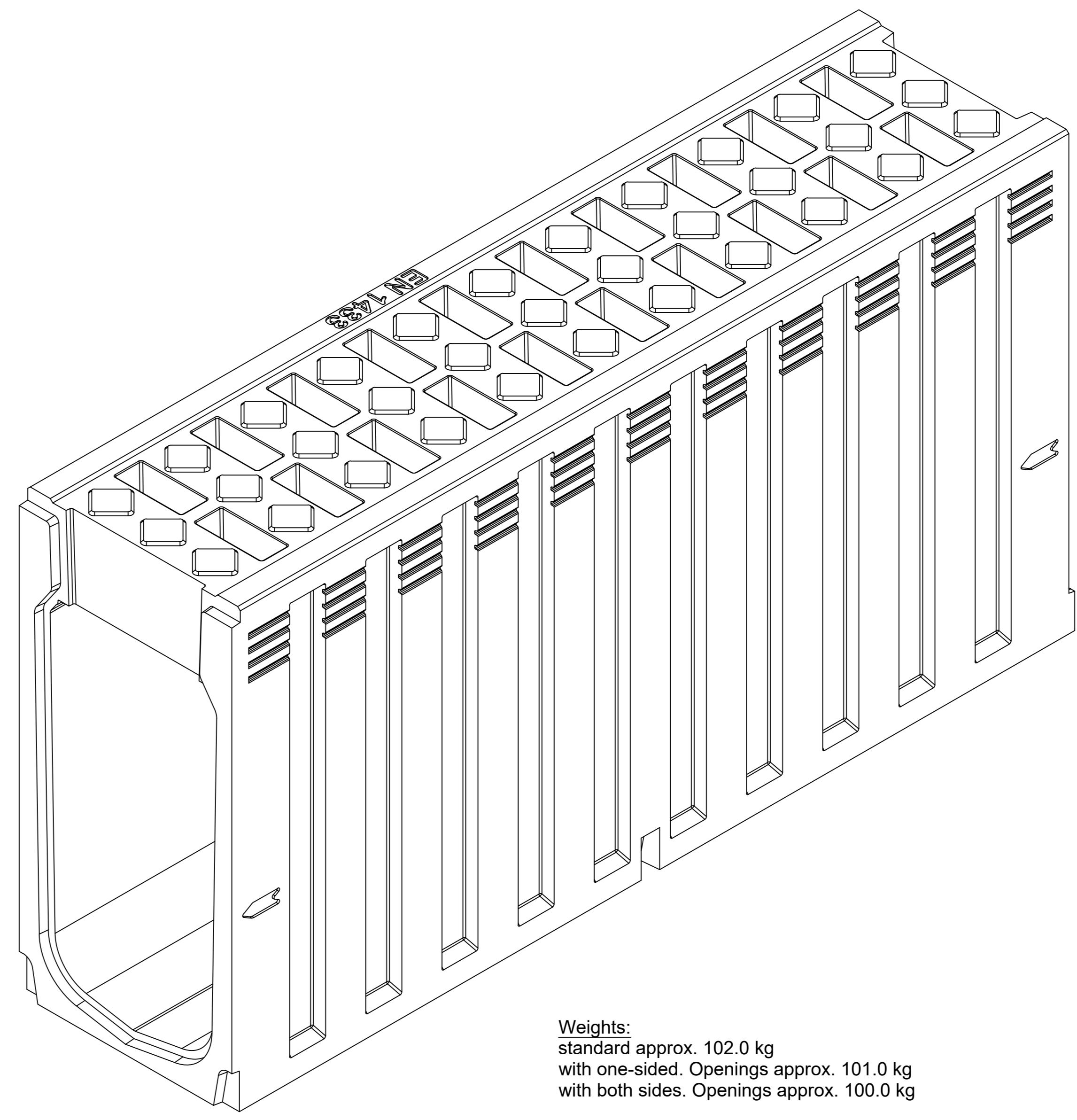
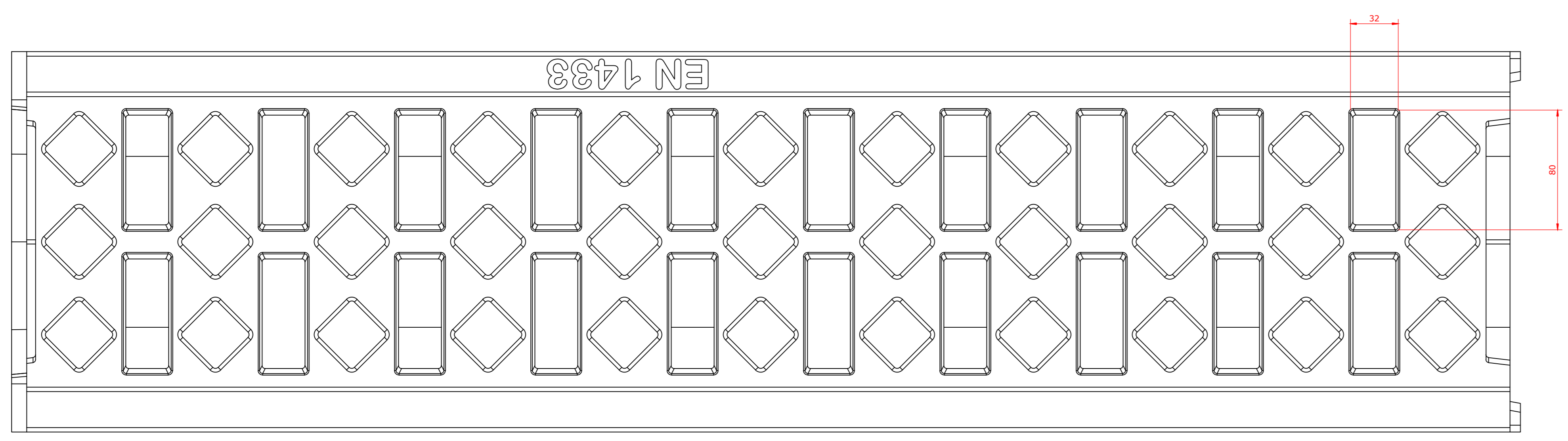
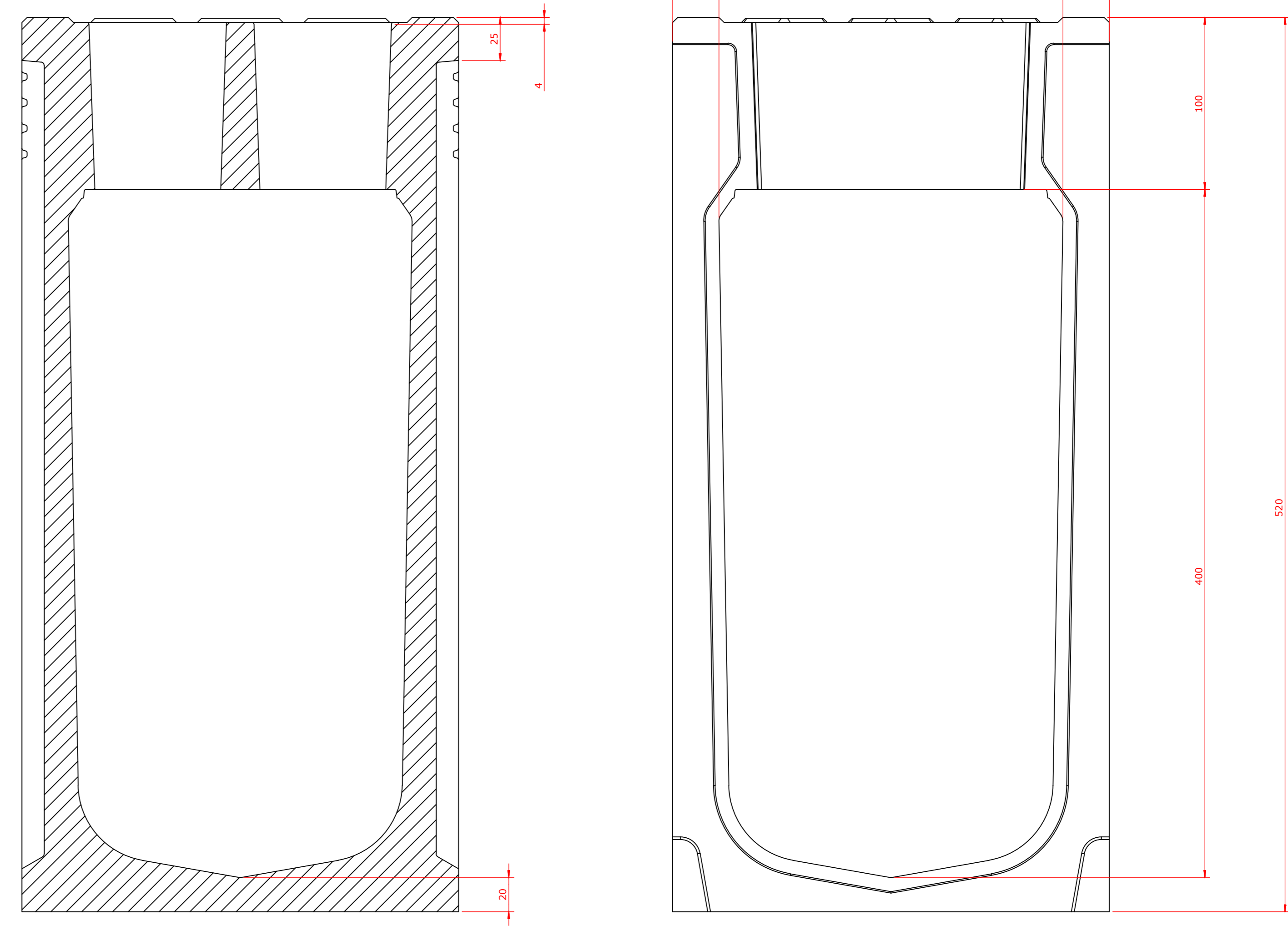
Drawing Title: UK STOCK LIBRARY DRAWING  
DM 2050.1  
010712764

Scale: 1:2 @ A0 Drn: SAM Chkd:

Drawing Number: 010712764 Rev:



SECTION A-A ( 1 : 2 )



Weights:  
 standard approx. 102.0 kg  
 with one-sided. Openings approx. 101.0 kg  
 with both sides. Openings approx. 100.0 kg

Flow cross section: approx. 752 cm<sup>2</sup>

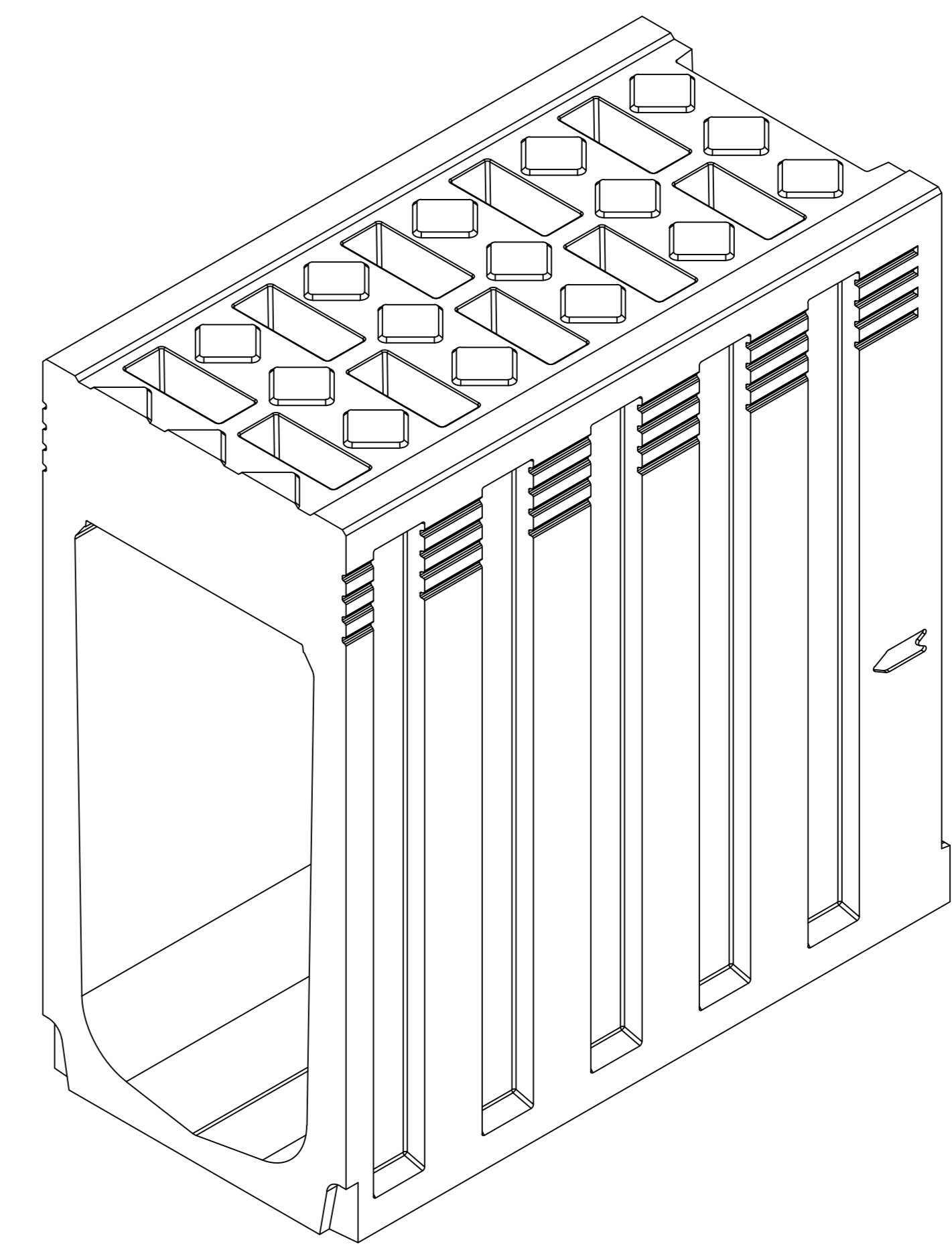
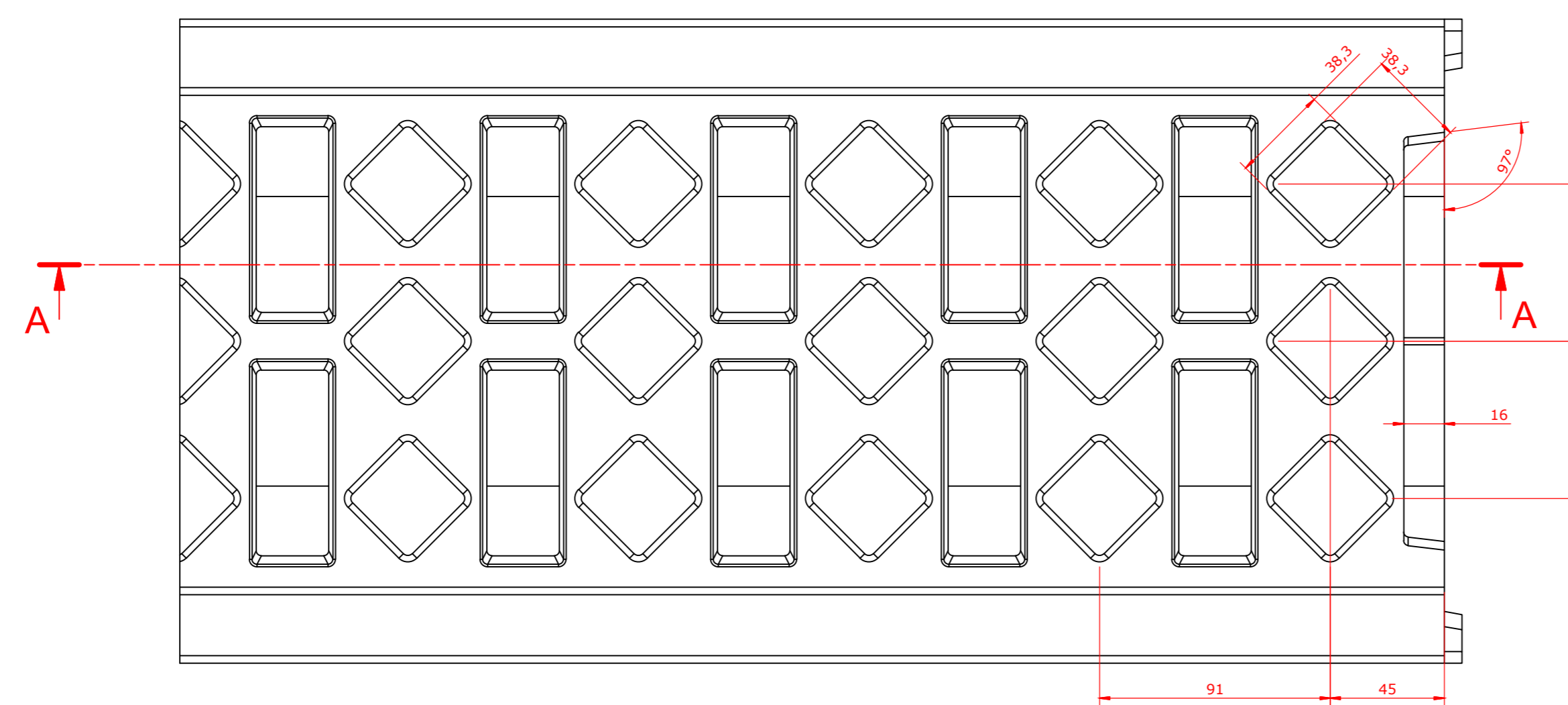
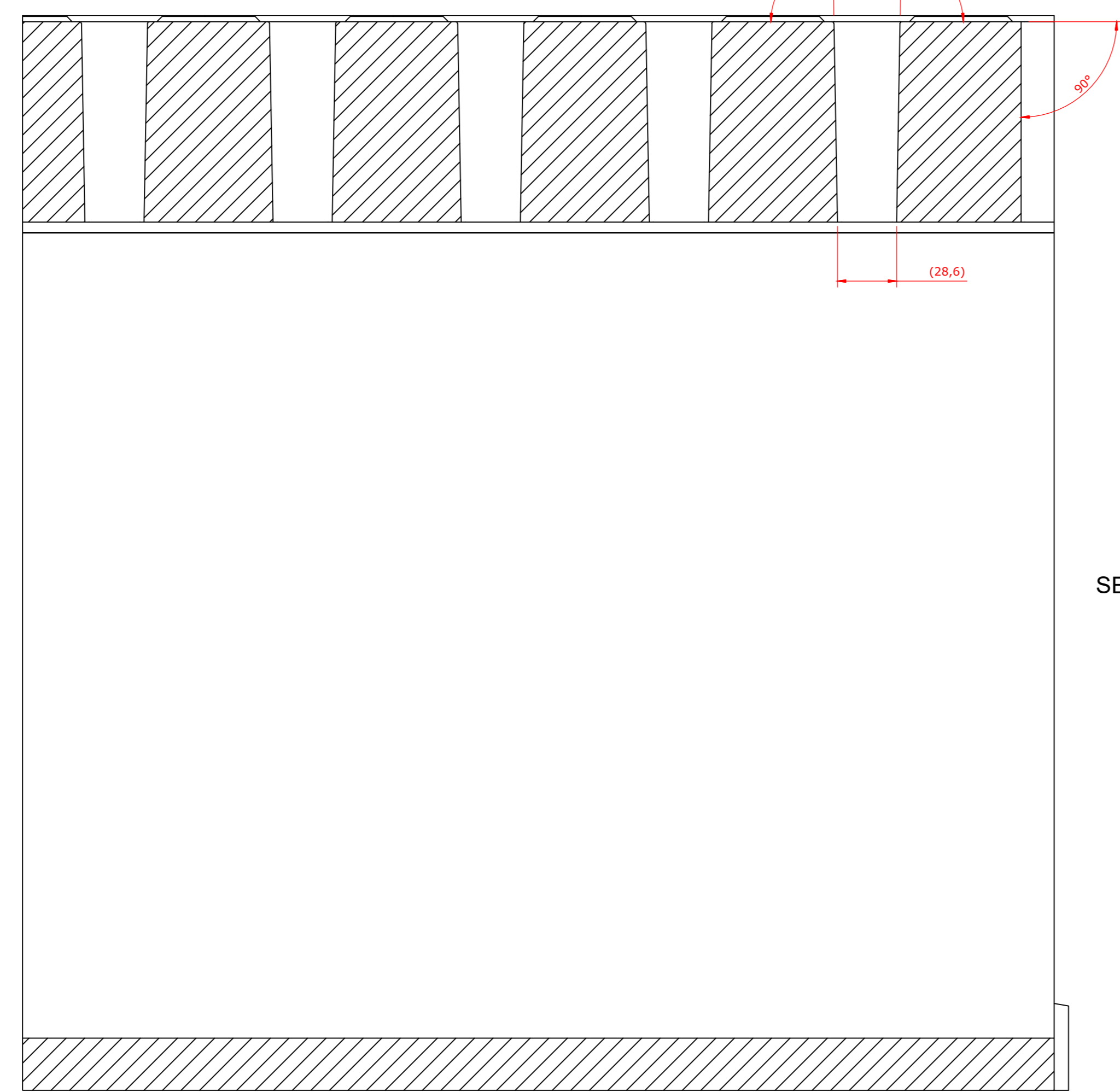
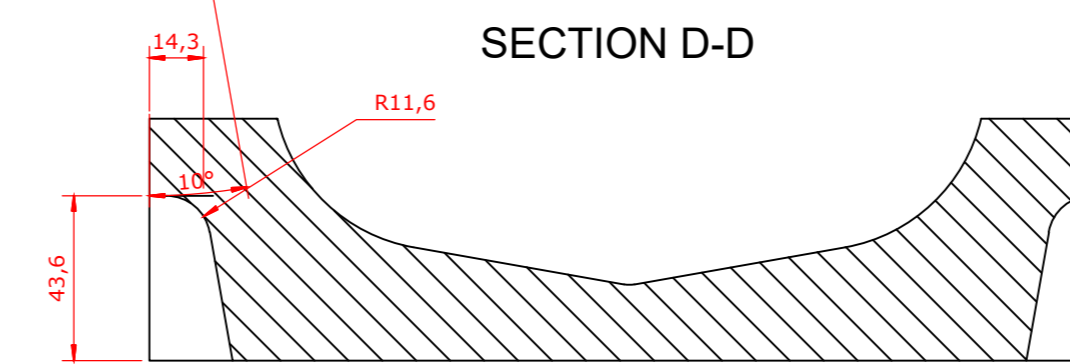
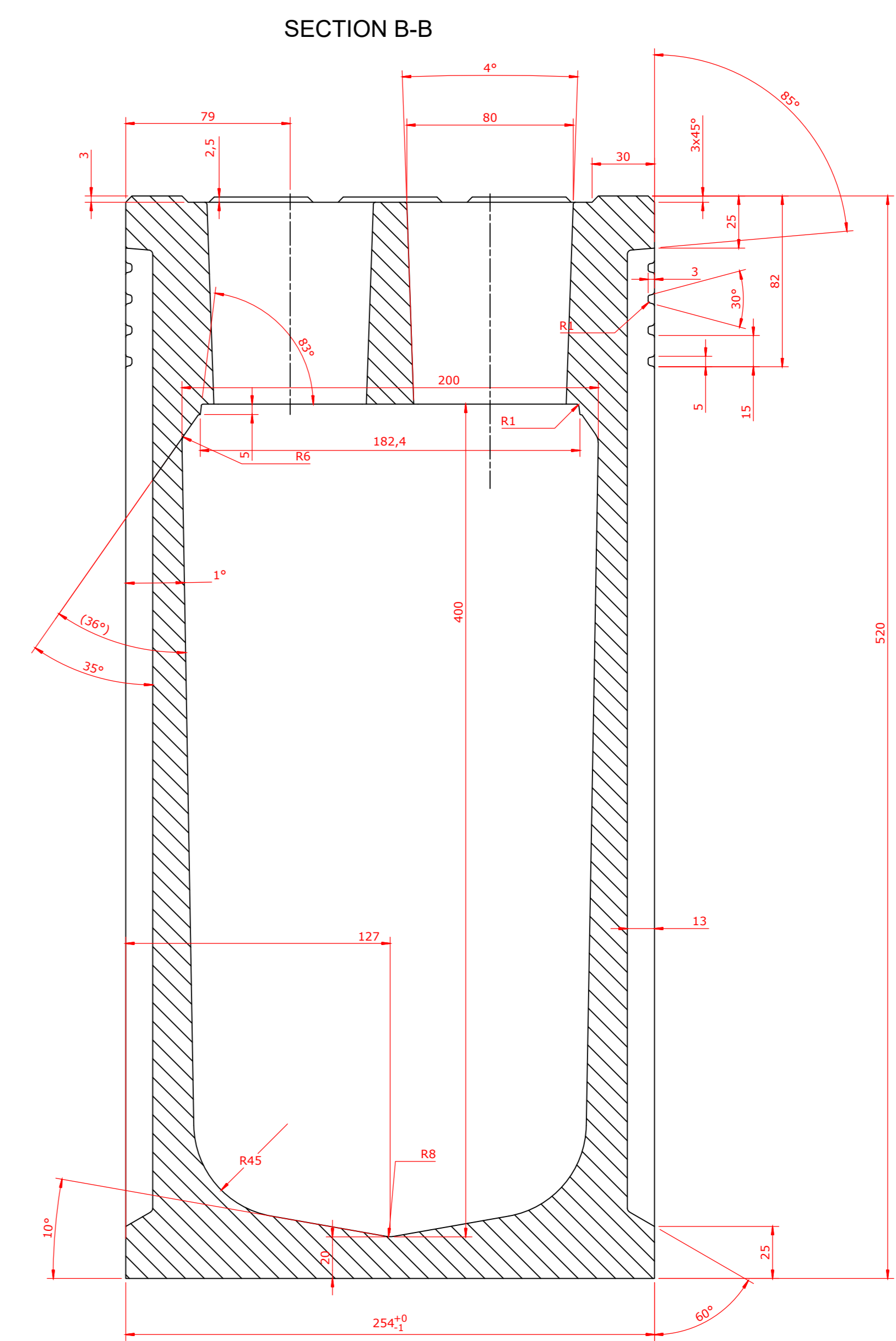
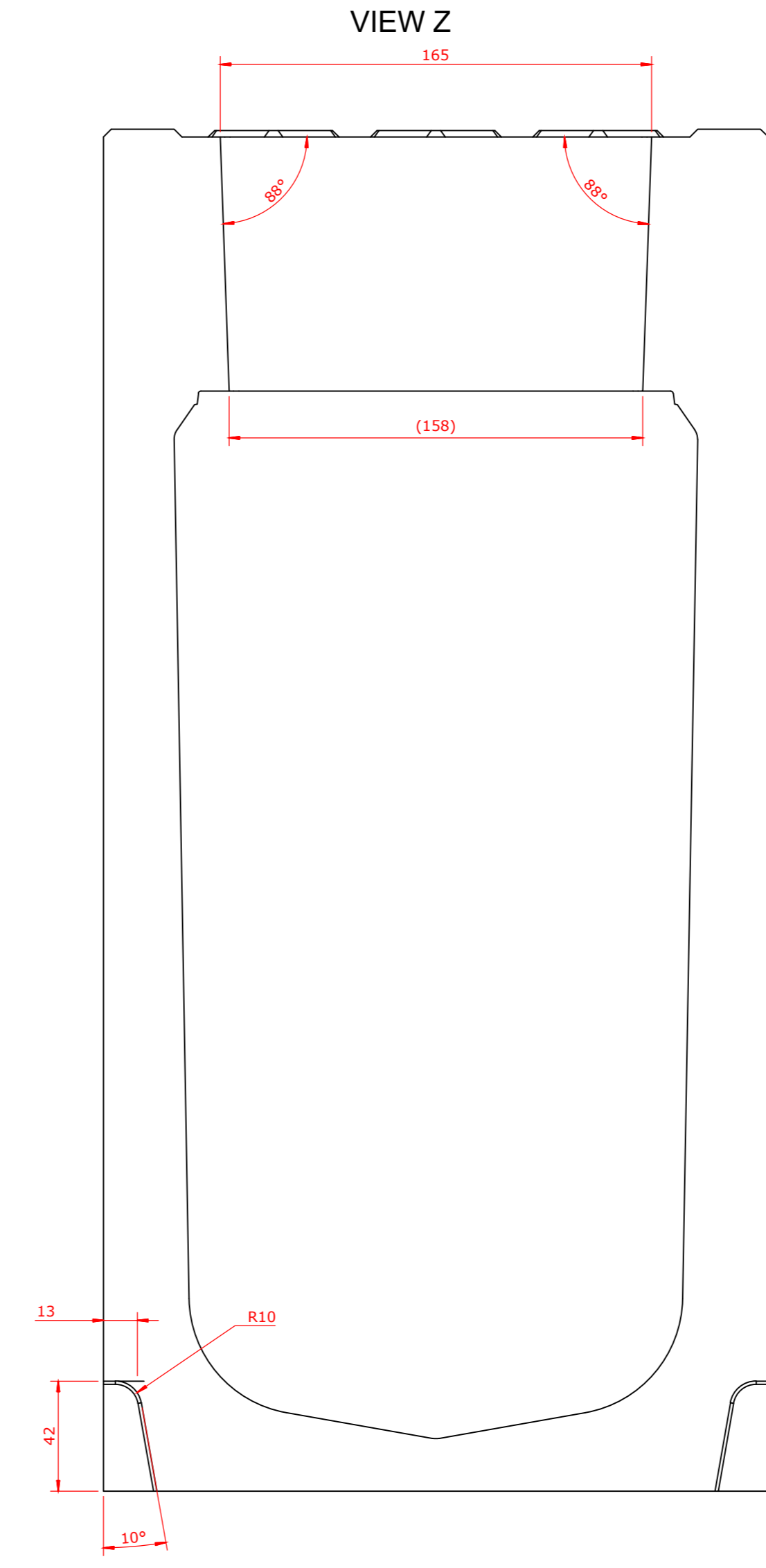
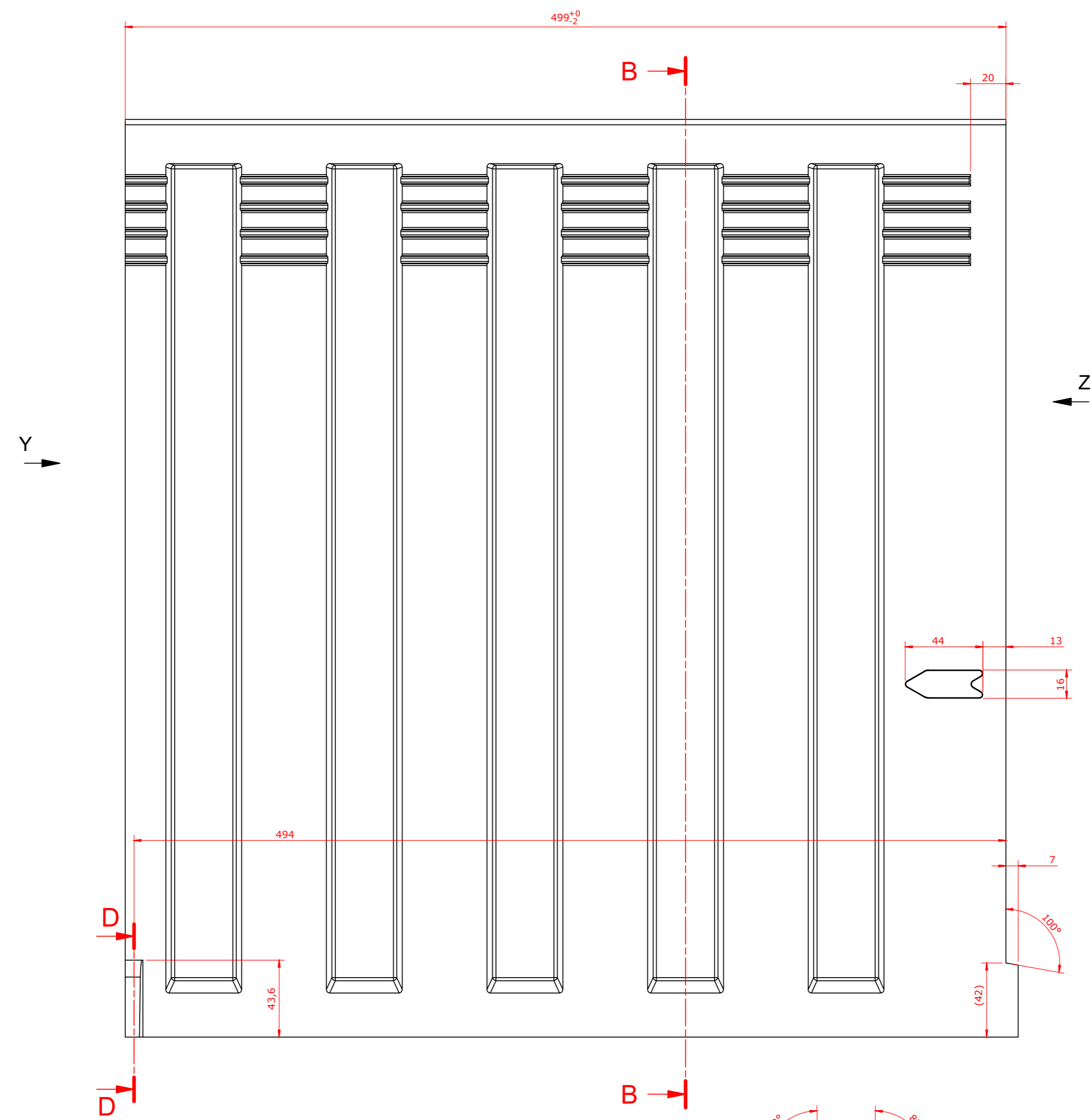
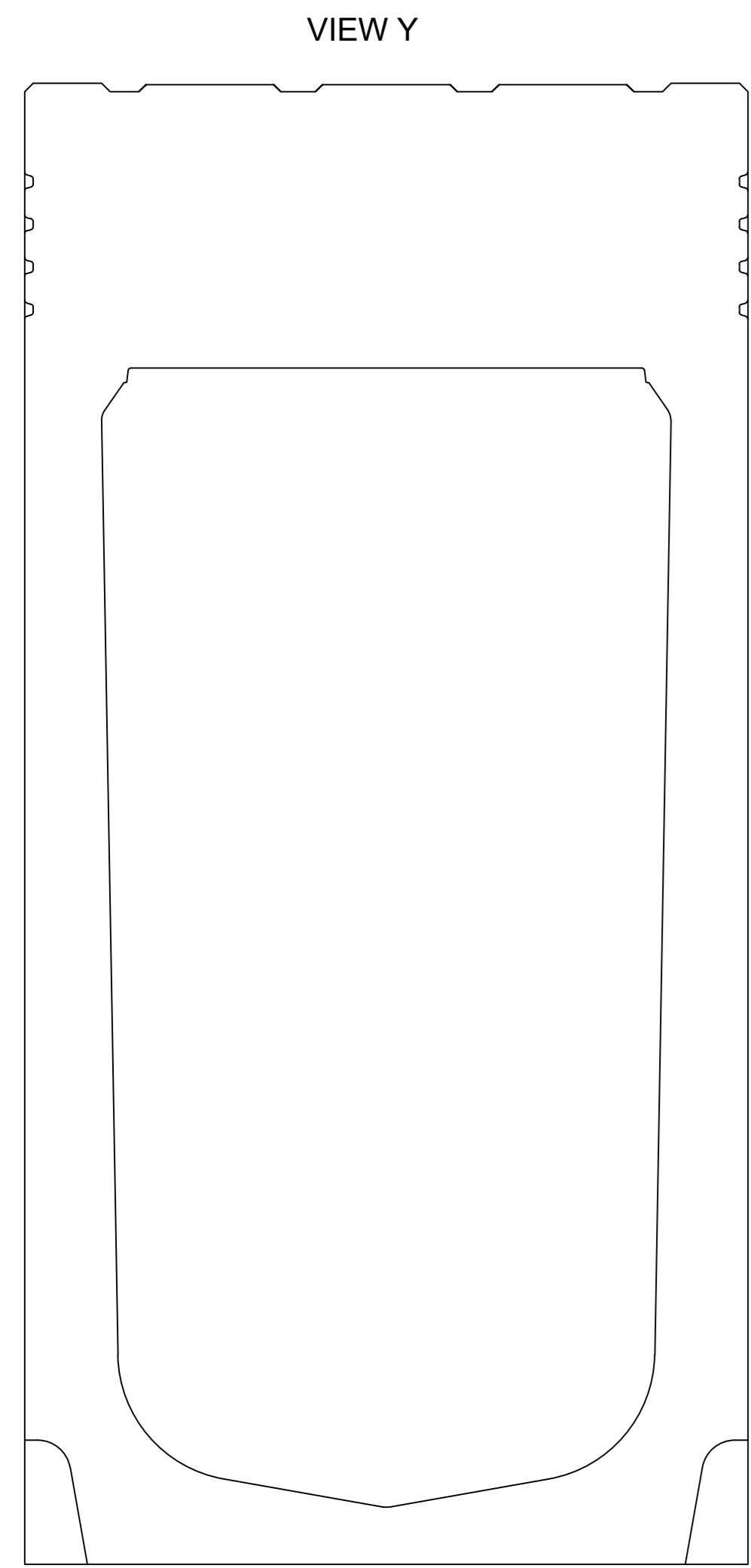
**DM 2040.0**

Revision	Drm	Chkd	Date
FOR REFERENCE	SAM		_09.20



ADDRESS: ALTHON LIMITED  
 VULCAN ROAD SOUTH  
 NORWICH  
 NR6 6AF  
 TEL: 01603 488700  
 FAX: 01603 488598  
 EMAIL: sales@althon.co.uk  
 WEBSITE: www.althon.co.uk

Client:  
 Project:  
 Drawing Title: UK STOCK LIBRARY DRAWING  
 DM 2040.0  
 010712782  
 Scale: 1:2 @ A0 Drm: SAM Chkd:  
 Drawing Number: 010712782 Rev:



**DM 2040.1**

Revision	Drn	Chkd	Date
FOR REFERENCE	SAM		_07.20



ADDRESS: ALTHON LIMITED  
 VULCAN ROAD SOUTH  
 NORWICH  
 NR6 6AF  
 TEL: 01603 488700  
 FAX: 01603 488598  
 EMAIL: sales@althon.co.uk  
 WEBSITE: www.althon.co.uk

Client:

Project:

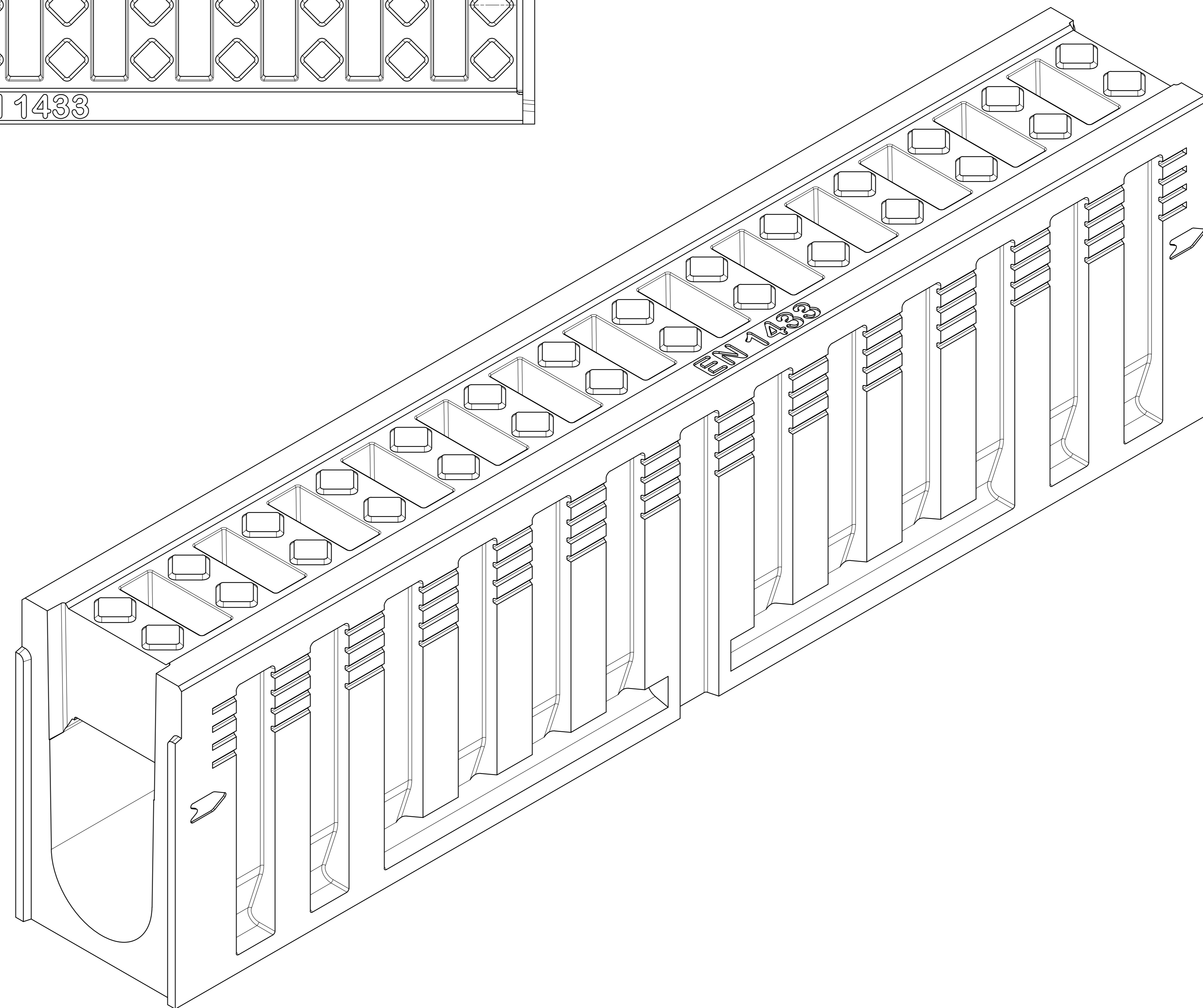
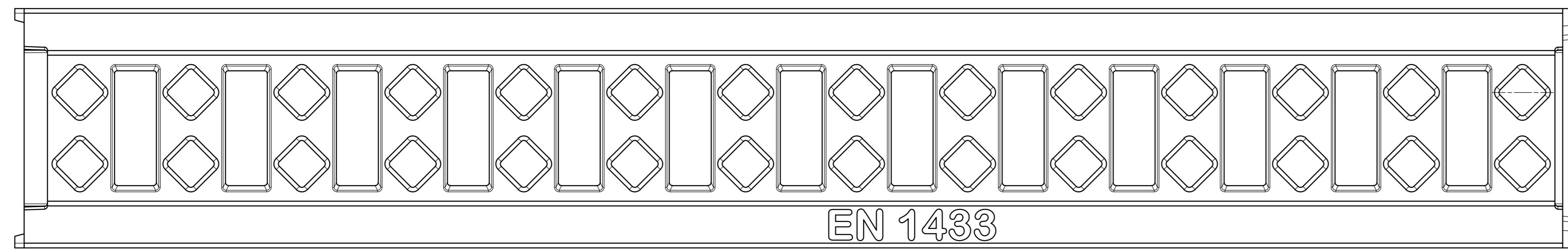
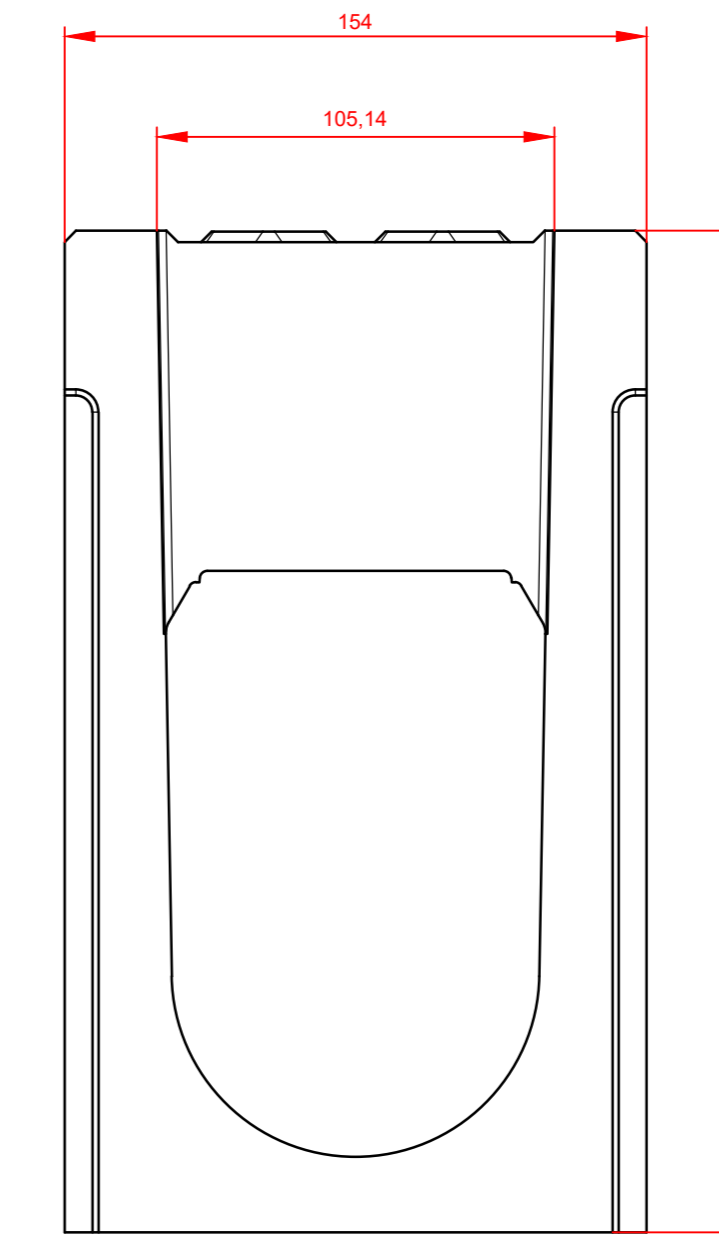
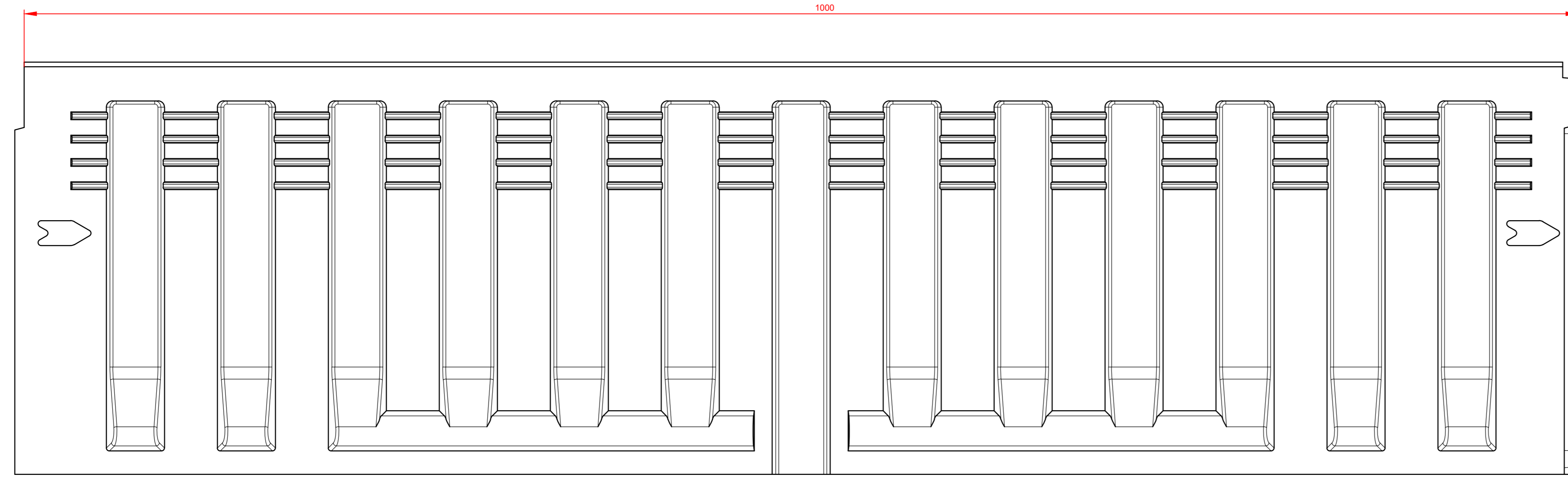
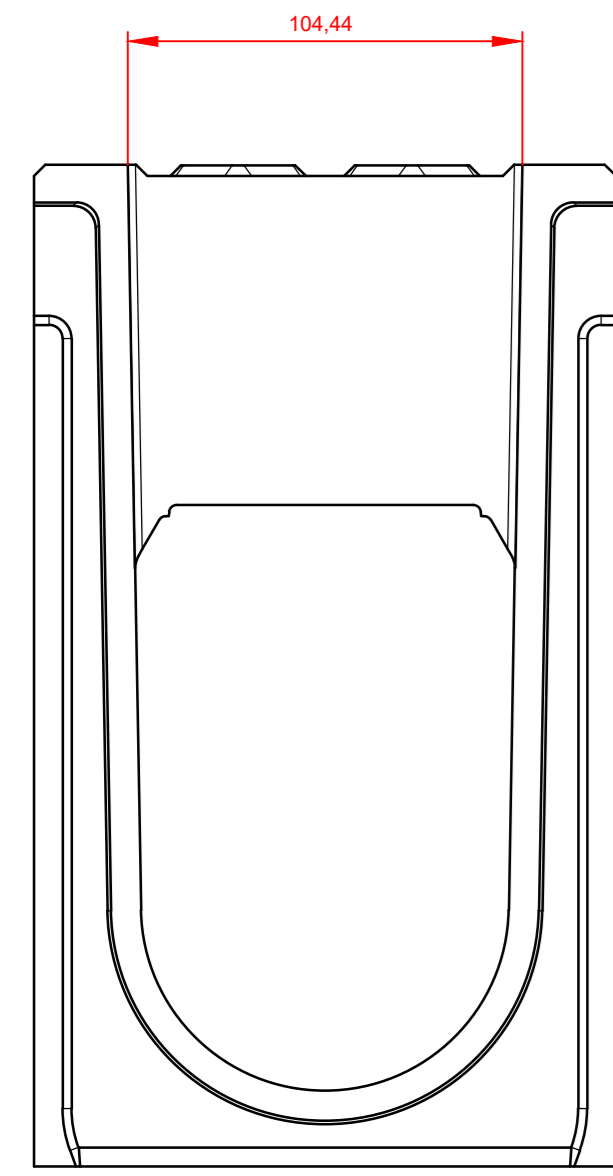
Drawing Title: UK STOCK LIBRARY DRAWING  
 DM 2040.1  
 010712784

Scale: 1:2 @ A0 Drn: SAM Chkd:

Drawing Number: 010712784 Rev:







**DM 1010.0**

Revision	Drn	Chkd	Date
FOR REFERENCE	SAM		_09.20



ADDRESS: ALTHON LIMITED  
VULCAN ROAD SOUTH  
NORWICH  
NR6 6AF

TEL: 01603 488700  
FAX: 01603 488598  
EMAIL: sales@althon.co.uk  
WEBSITE: www.althon.co.uk

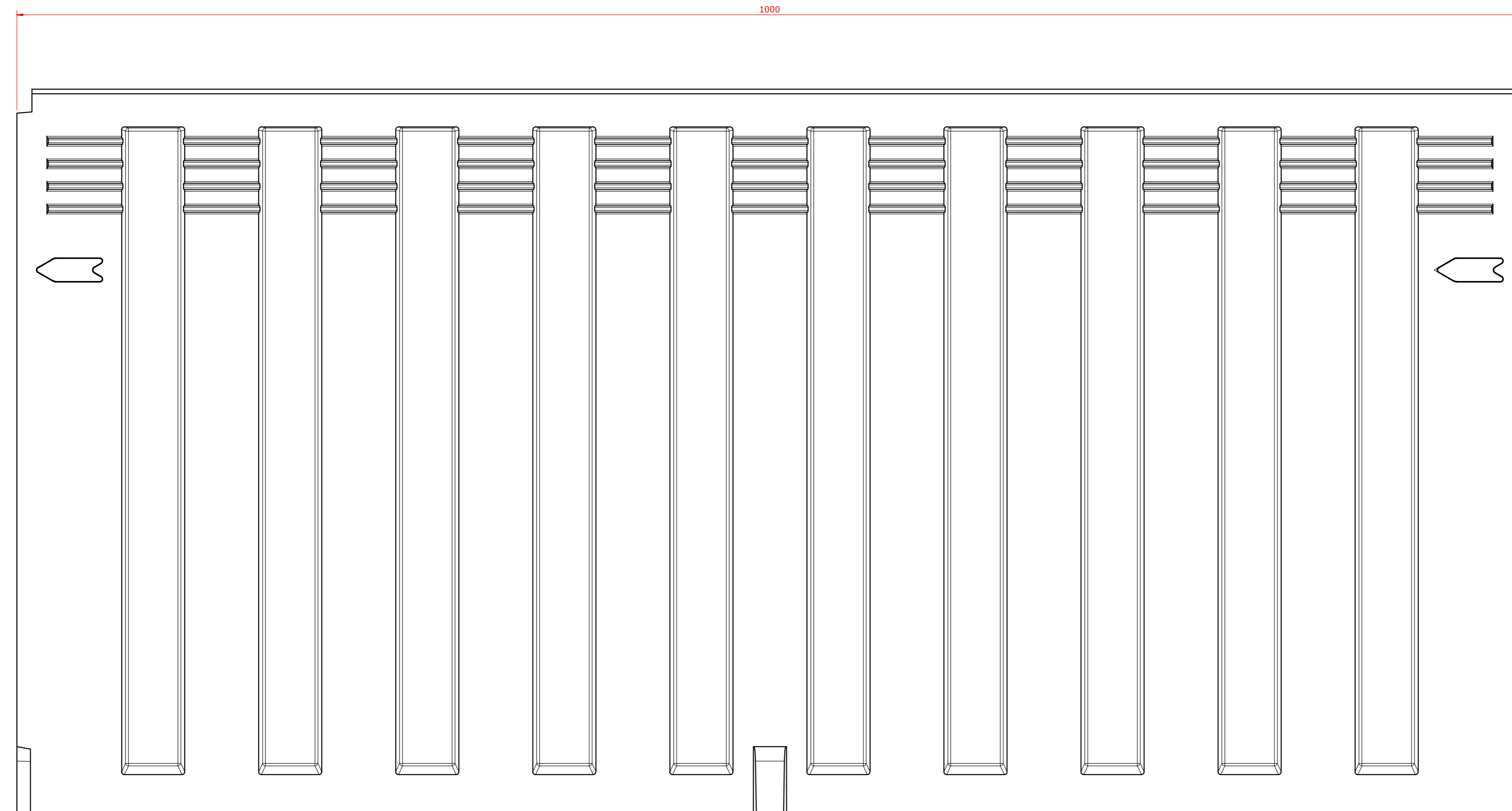
Client:

Project:

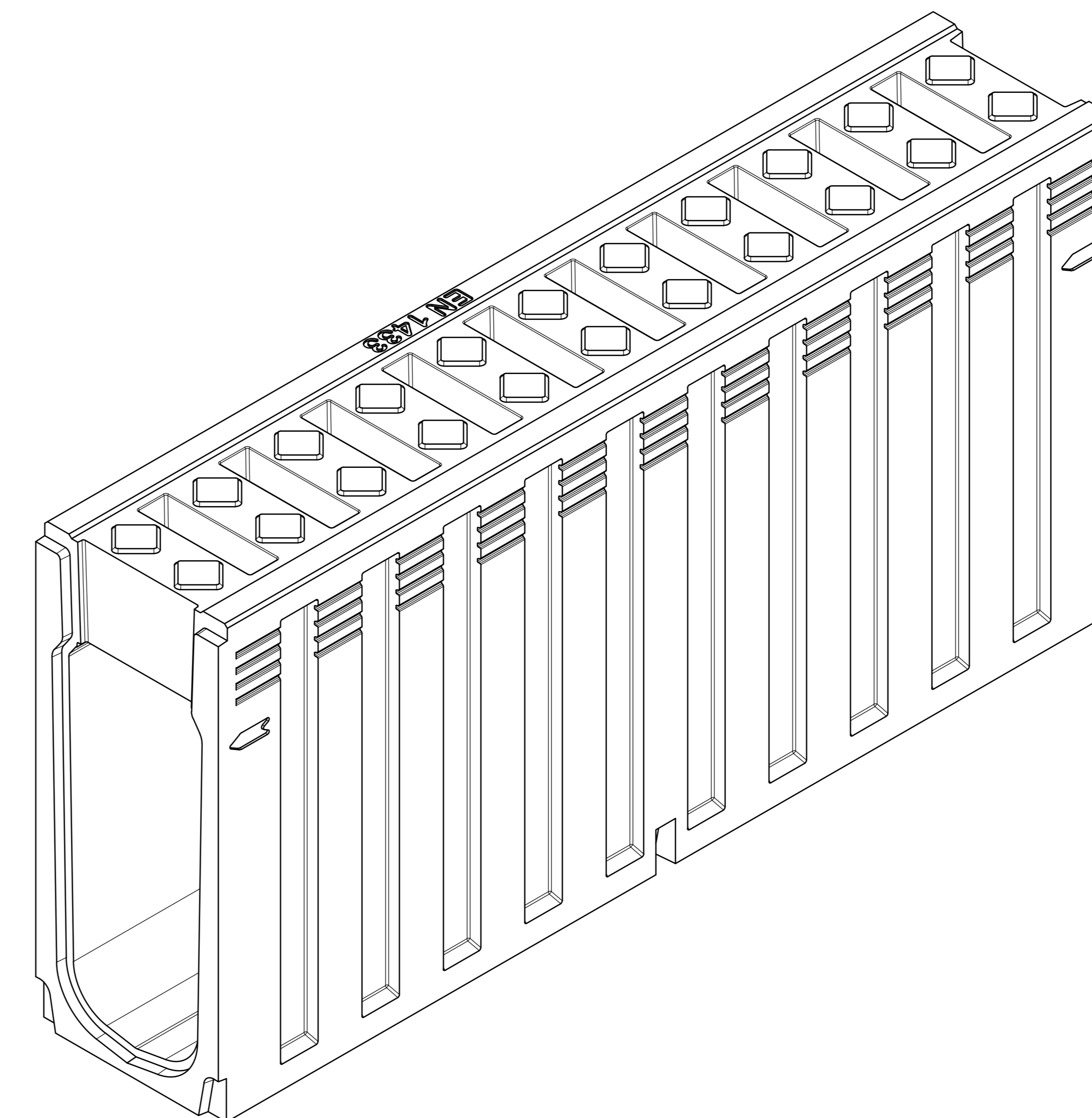
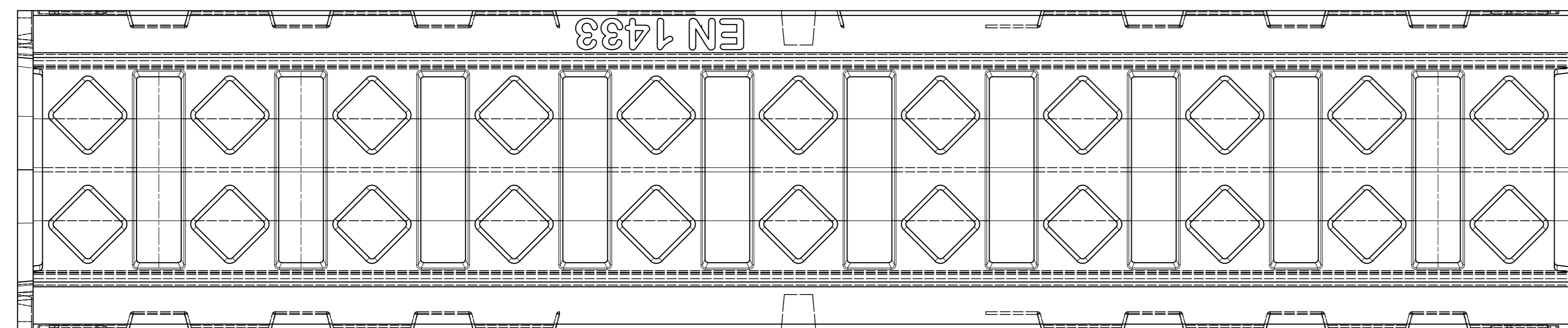
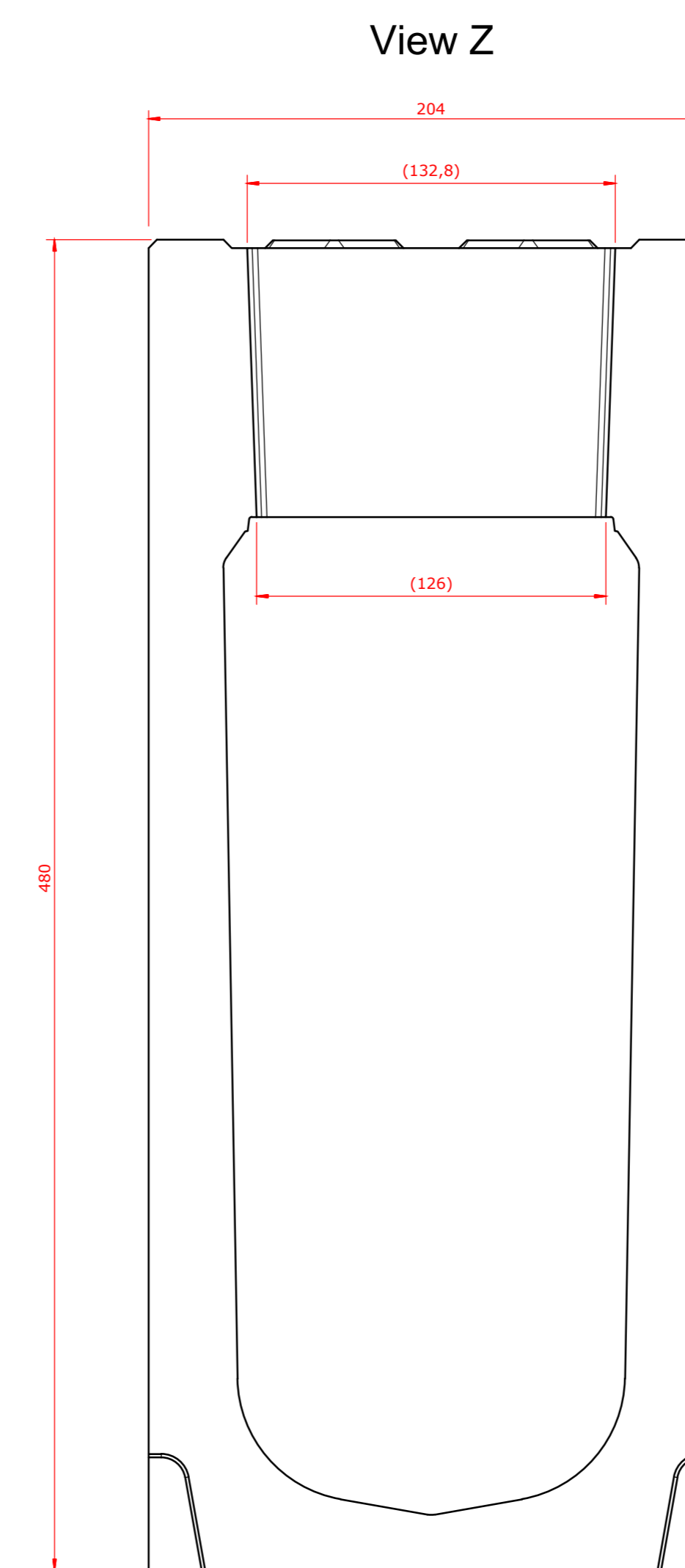
Drawing Title:  
UK STOCK LIBRARY DRAWING  
DM 1010.0  
010712884

Scale: 1:2 @ A0 Drn: SAM Chkd:

Drawing Number: 010712884 Rev:



View Z  
←



**DM 1540.0**

Revision	Drm	Chkd	Date
FOR REFERENCE	SAM		_03.23



ADDRESS: ALTHON LIMITED  
VULCAN ROAD SOUTH  
NORWICH  
NR6 6AF

TEL: 01603 488700  
FAX: 01603 488598  
EMAIL: sales@althon.co.uk  
WEBSITE: www.althon.co.uk

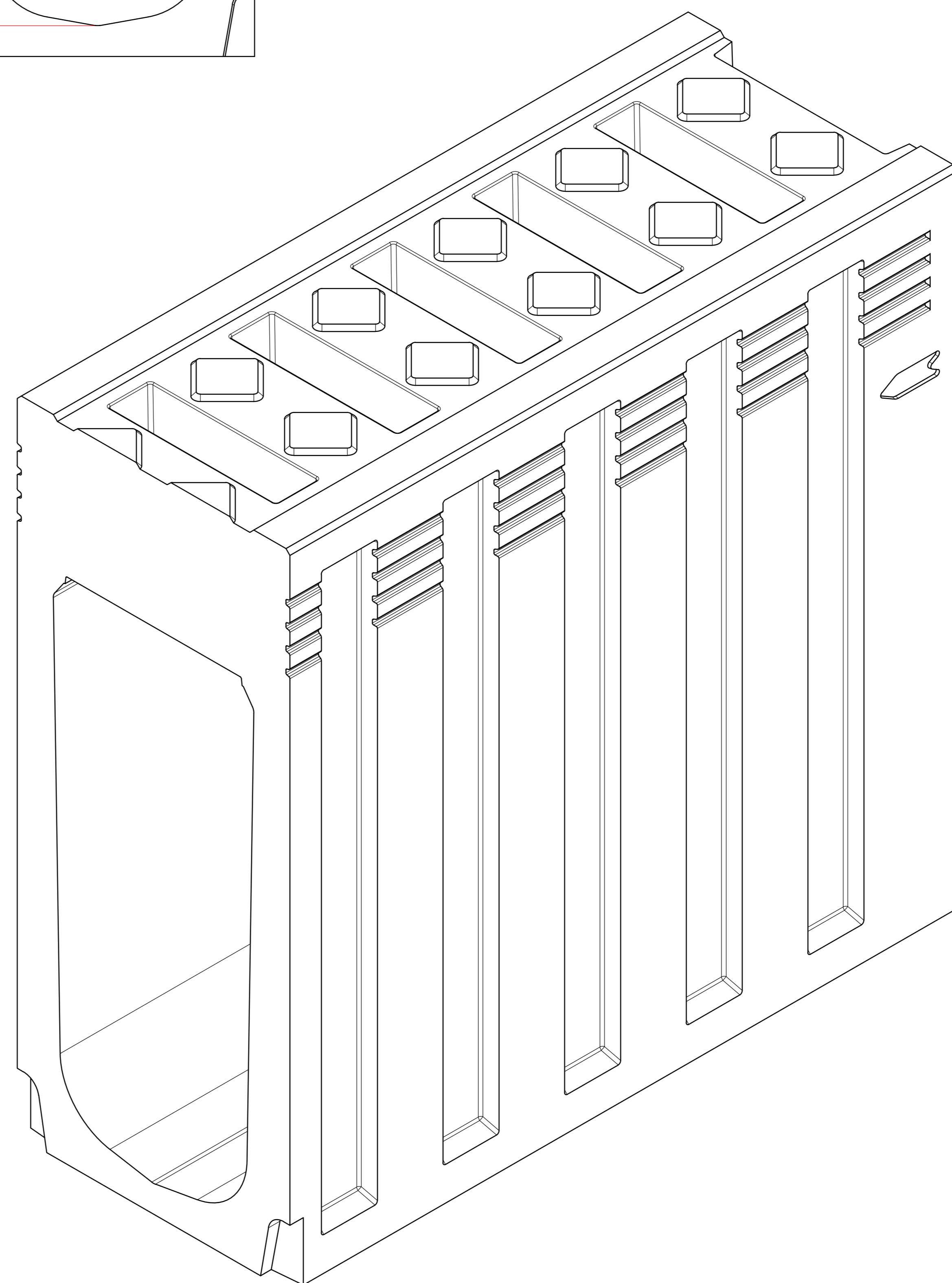
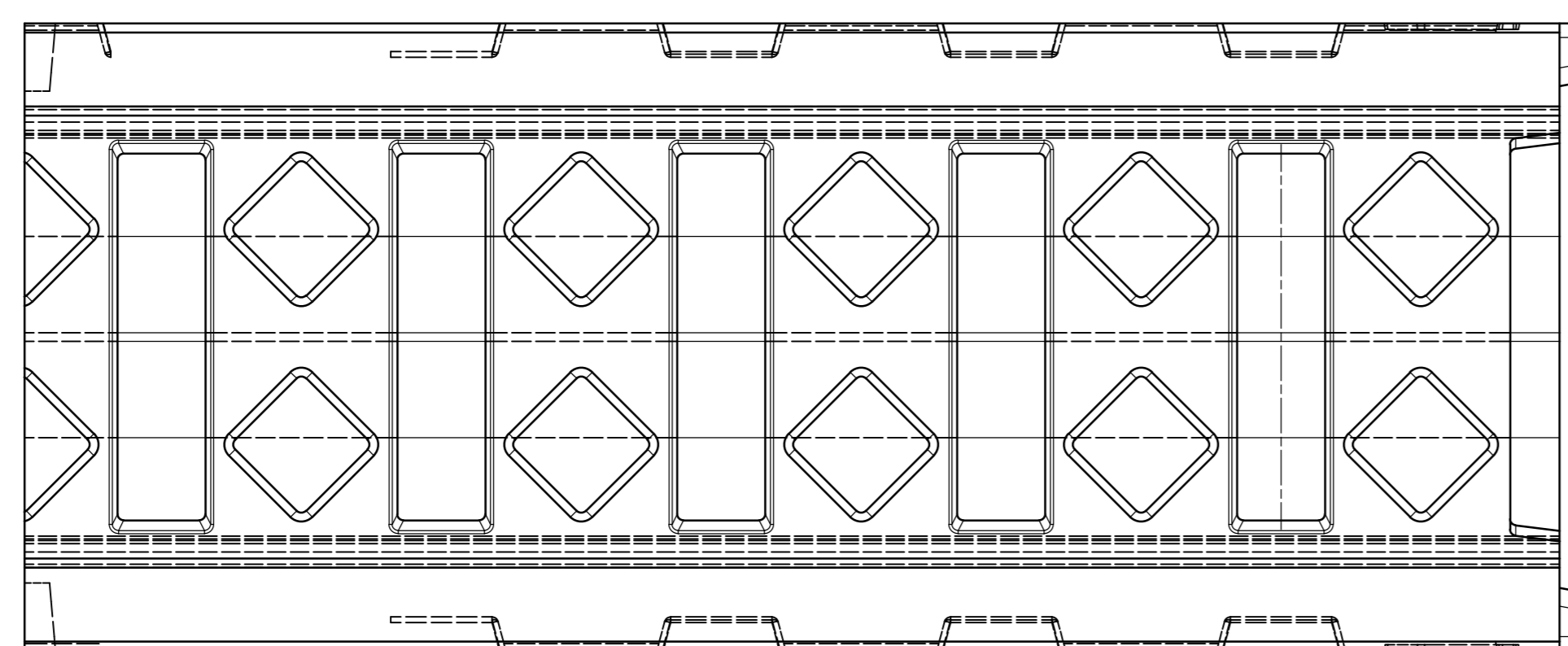
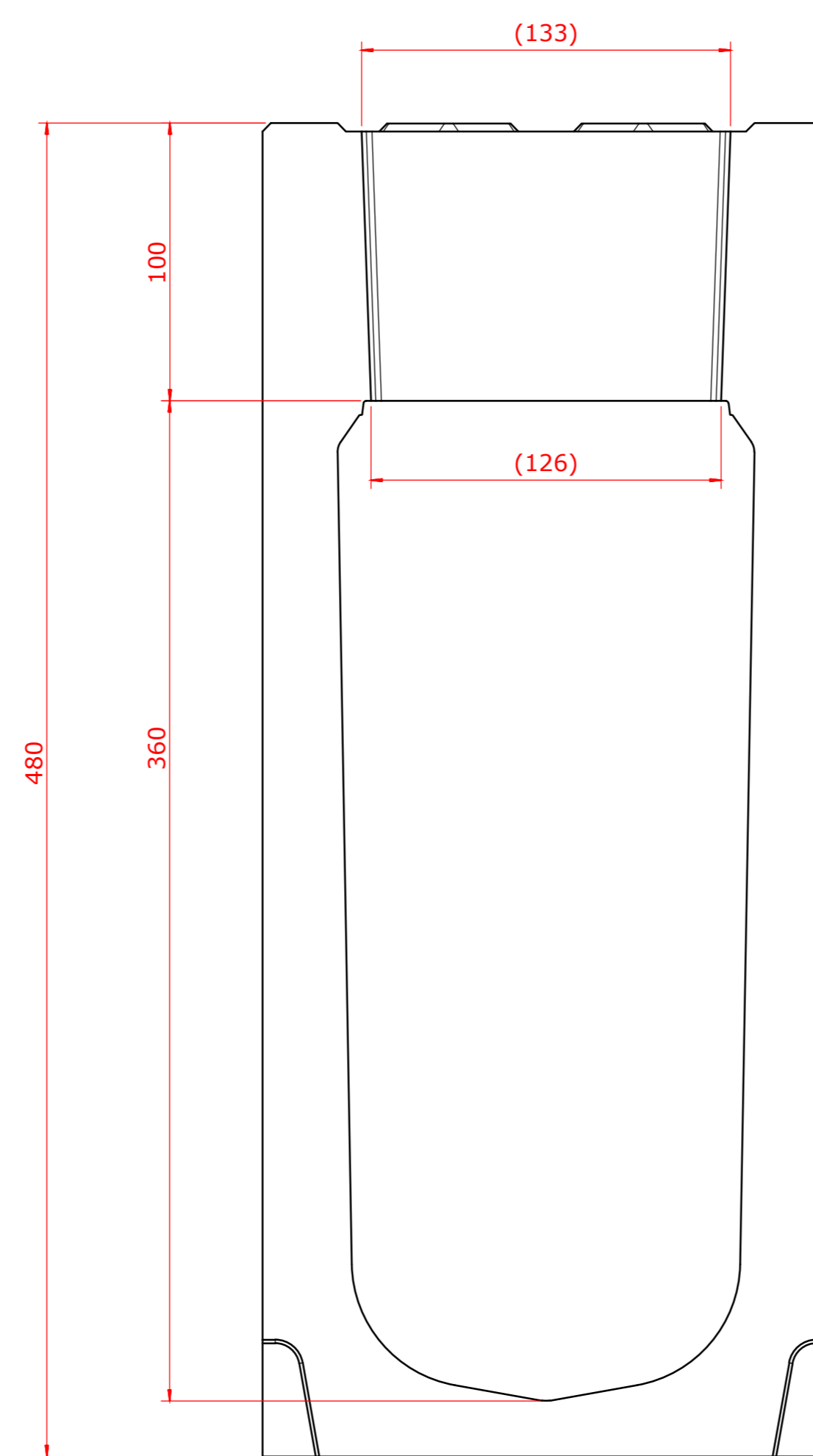
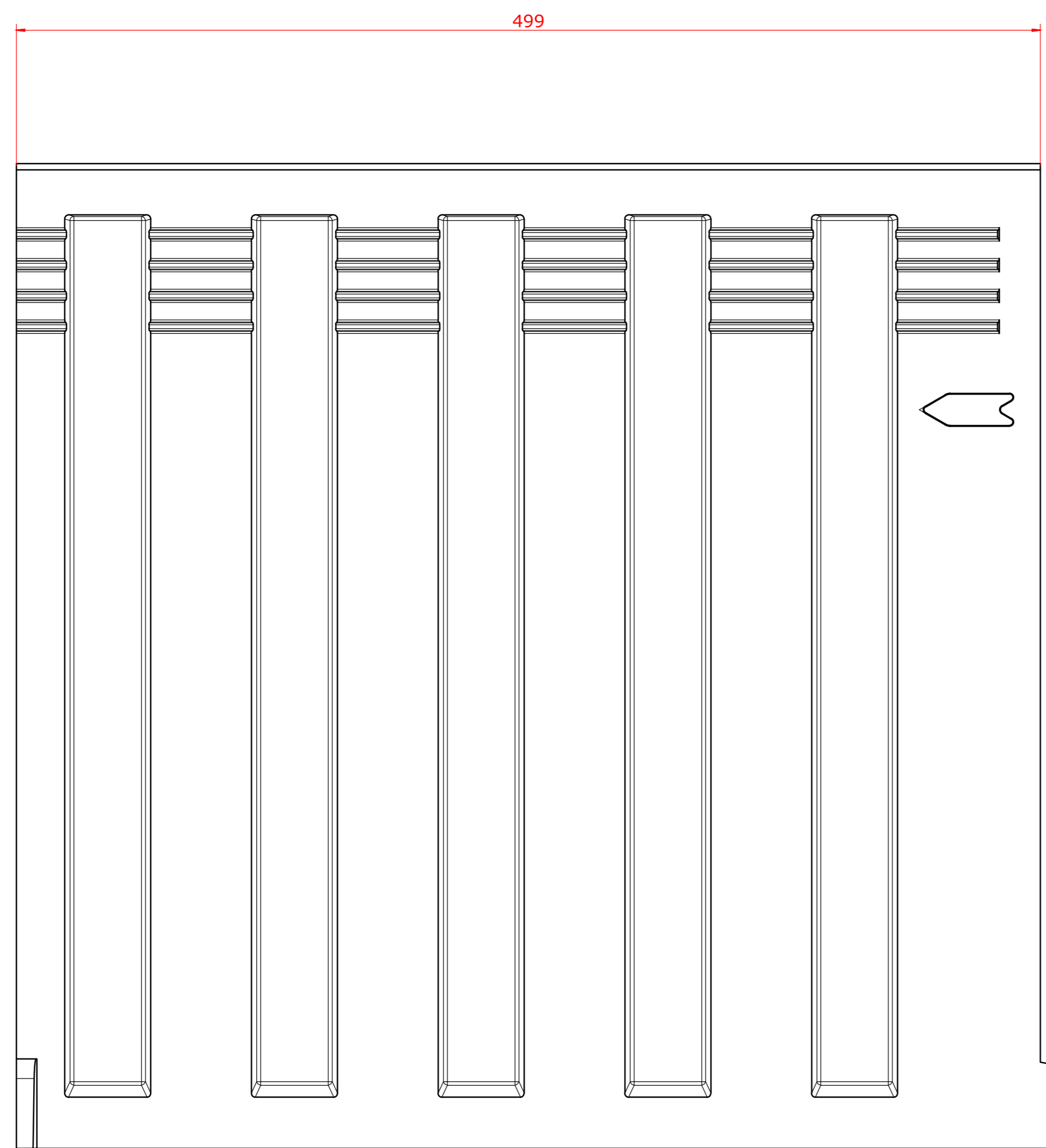
Client:

Project:

Drawing Title: UK STOCK LIBRARY DRAWING  
DM 1540.0  
010712902

Scale: 1:2 @ A0 Drm: SAM Chkd:

Drawing Number: 010712902 Rev:



**DM 1540.1**

Revision	Drm	Chkd	Date
FOR REFERENCE	SAM		_09.20

**Althon**

ADDRESS: ALTHON LIMITED  
VULCAN ROAD SOUTH  
NORWICH  
NR6 6AF

TEL: 01603 488700  
FAX: 01603 488598  
EMAIL: sales@althon.co.uk  
WEBSITE: www.althon.co.uk

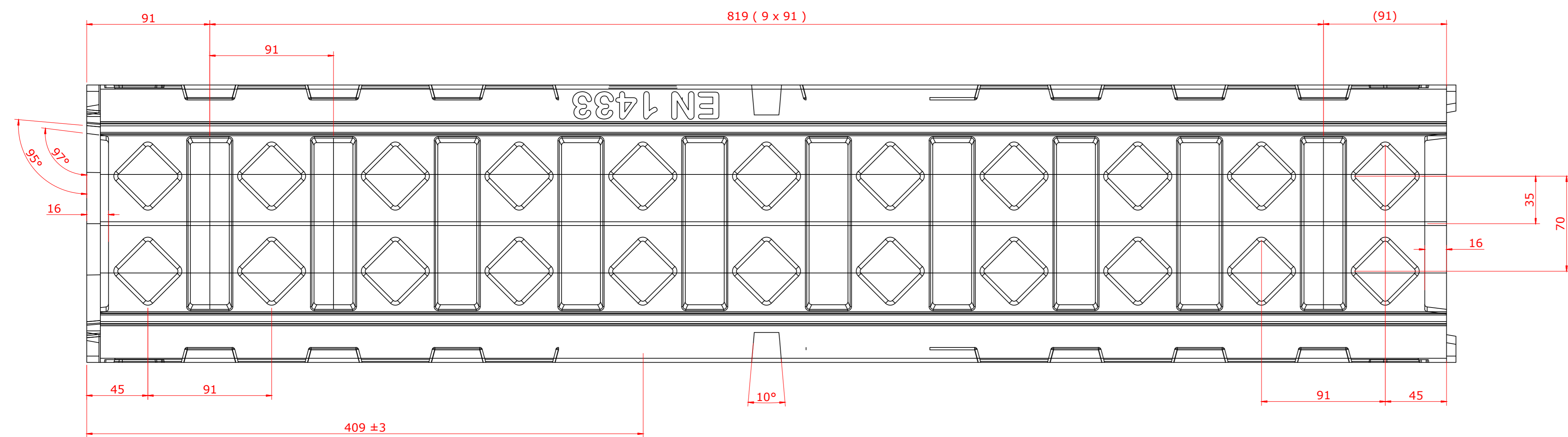
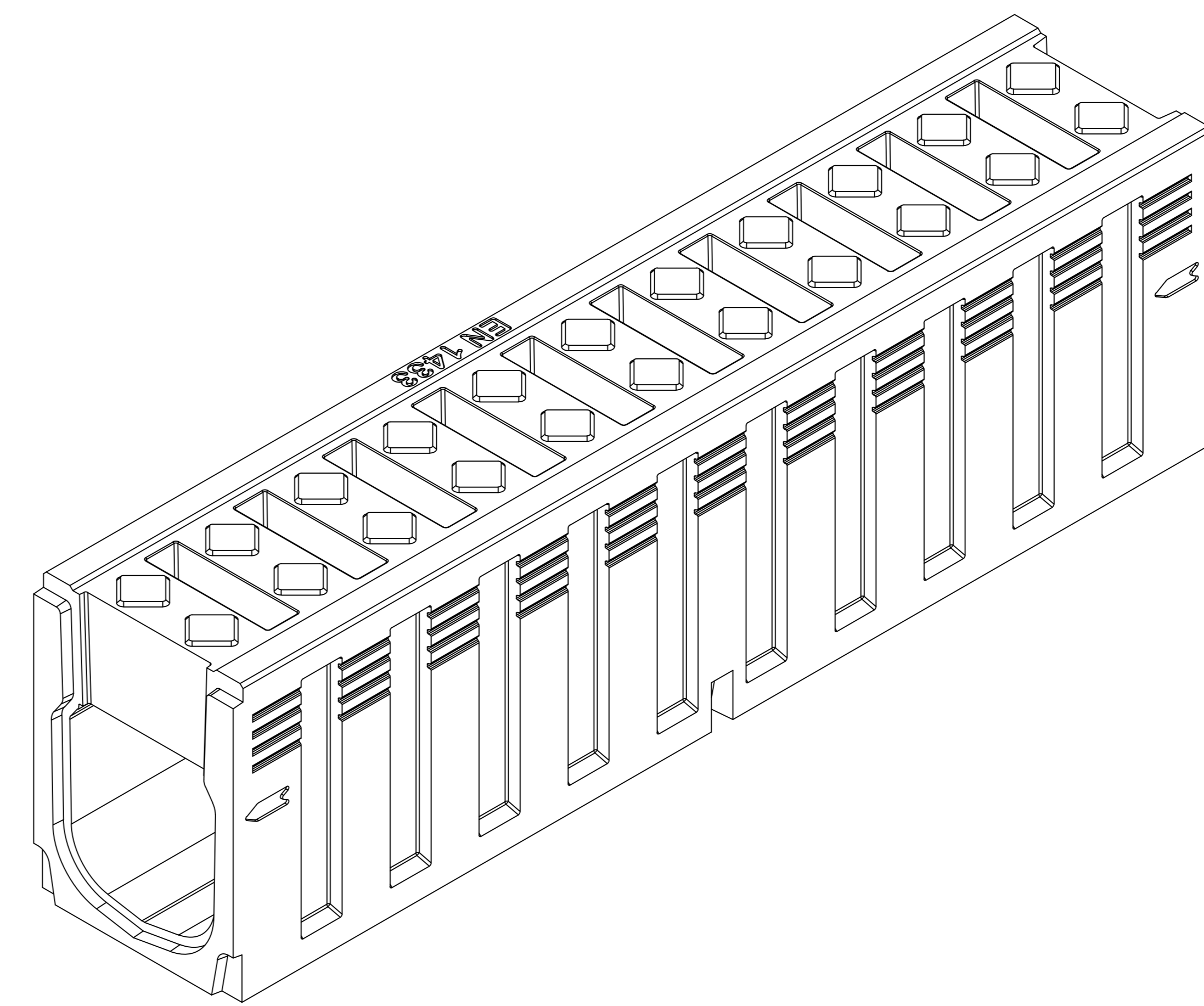
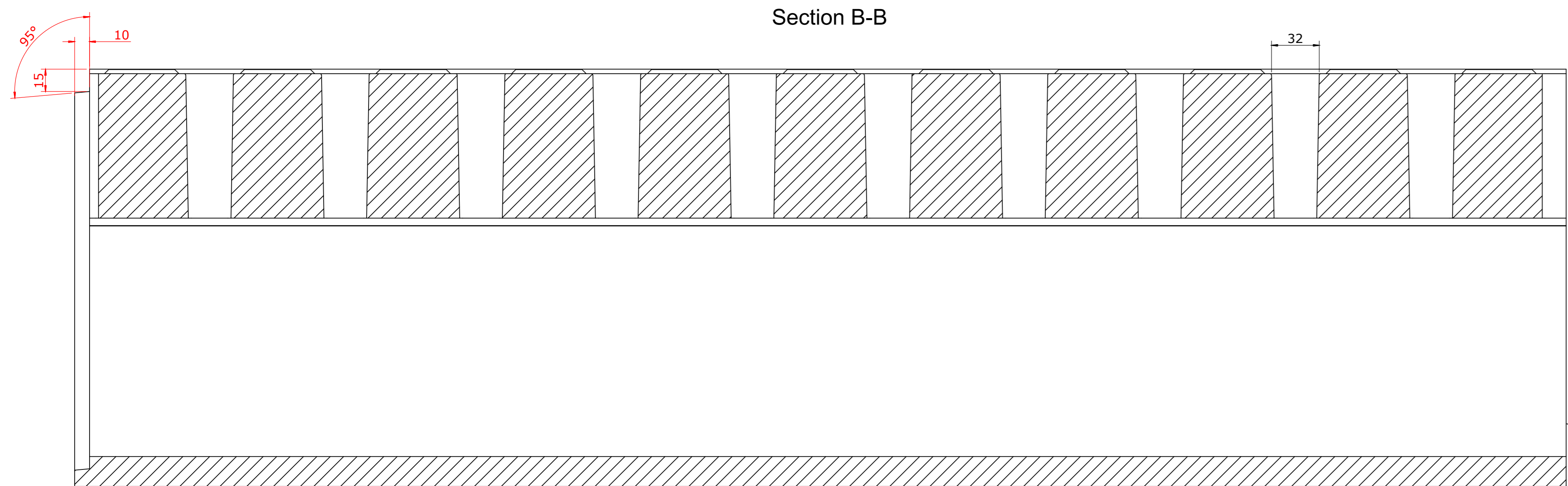
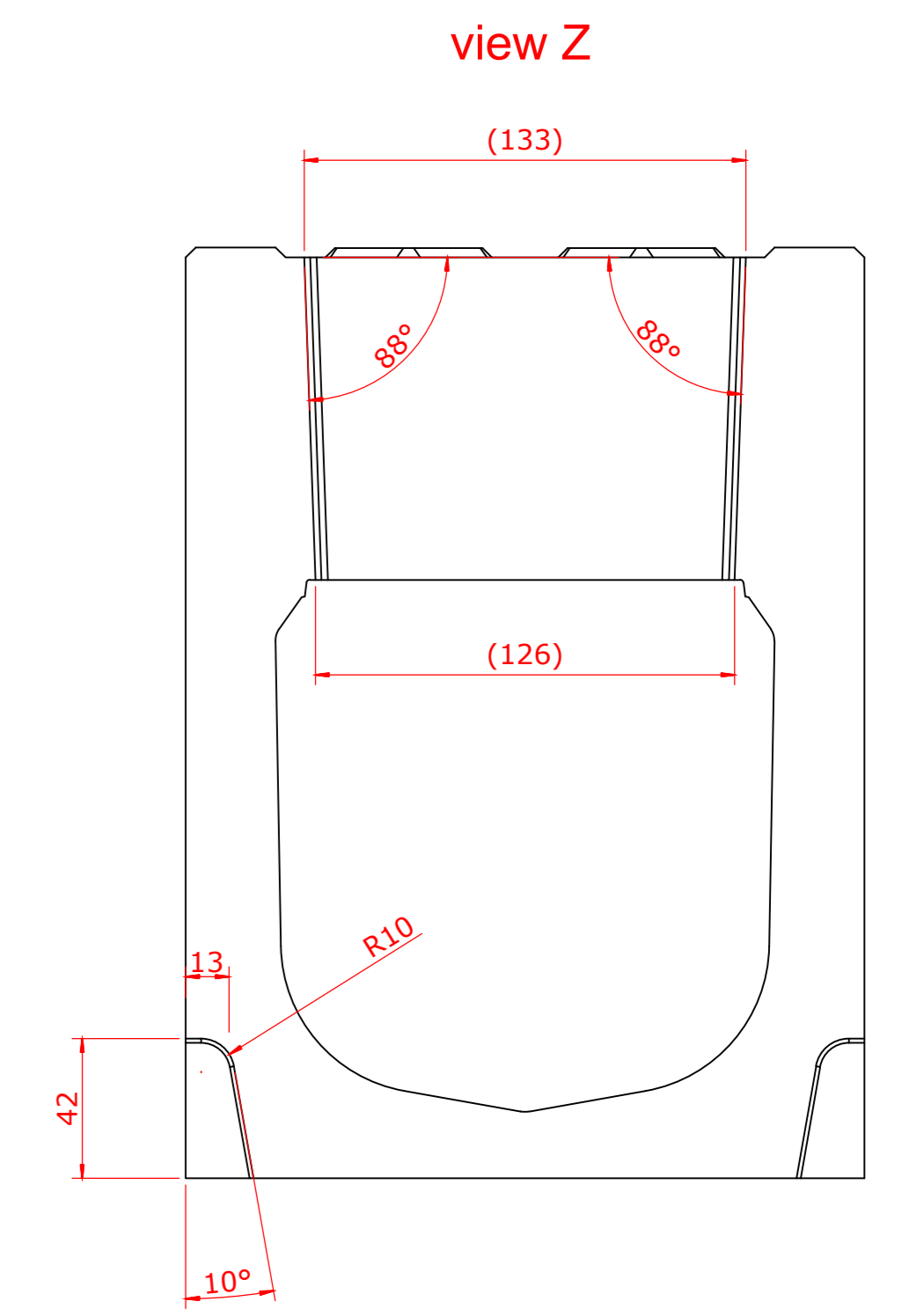
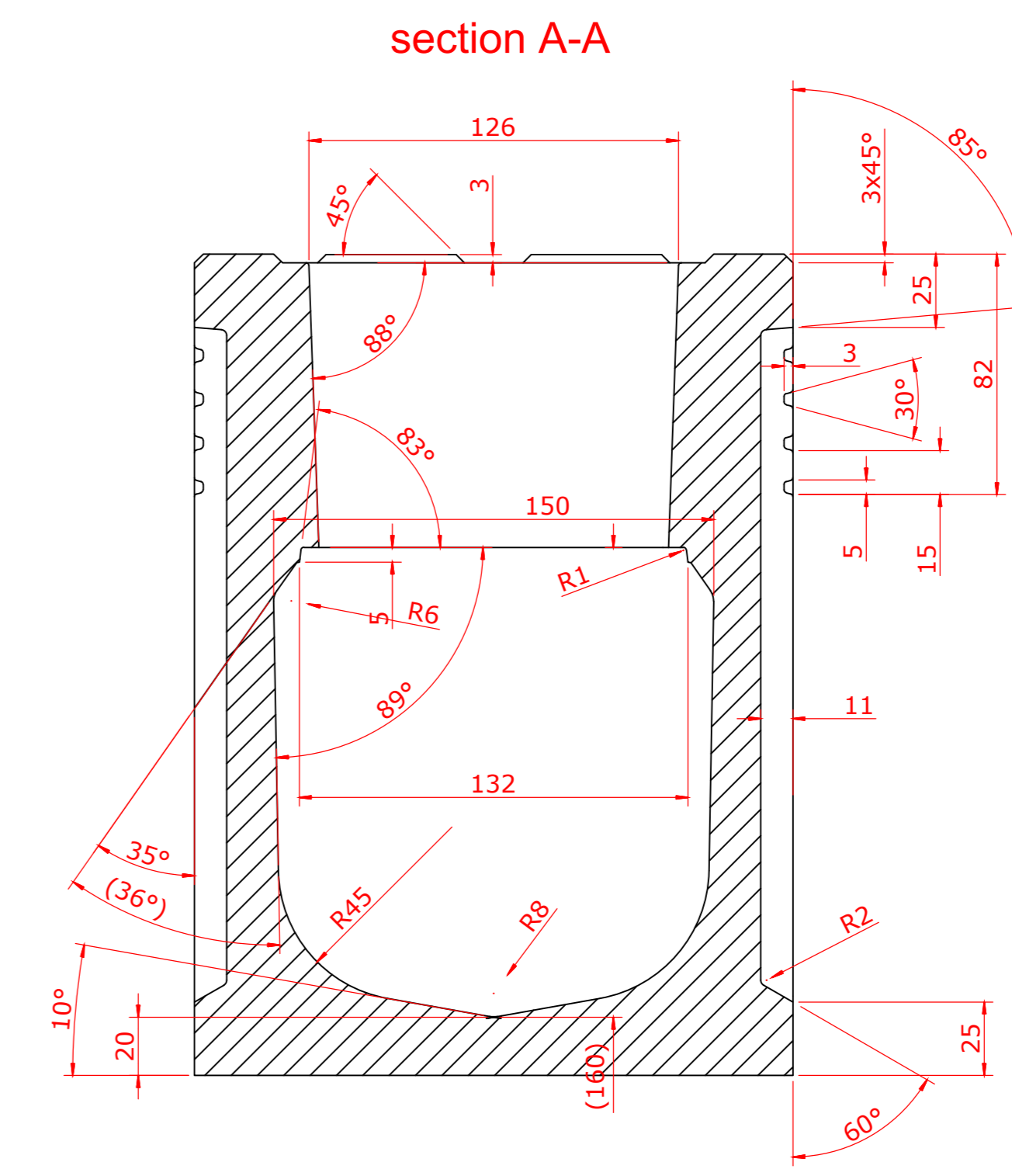
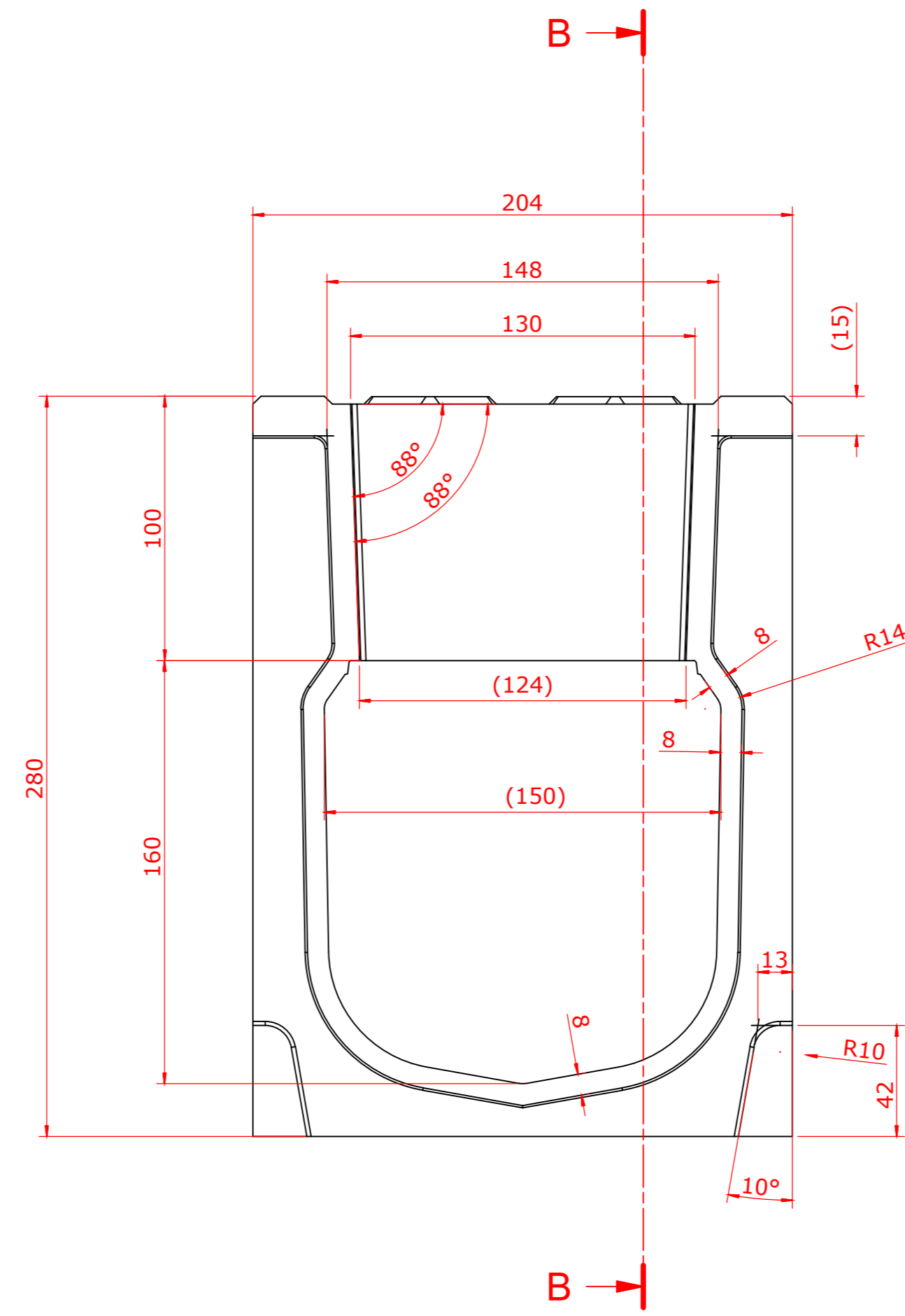
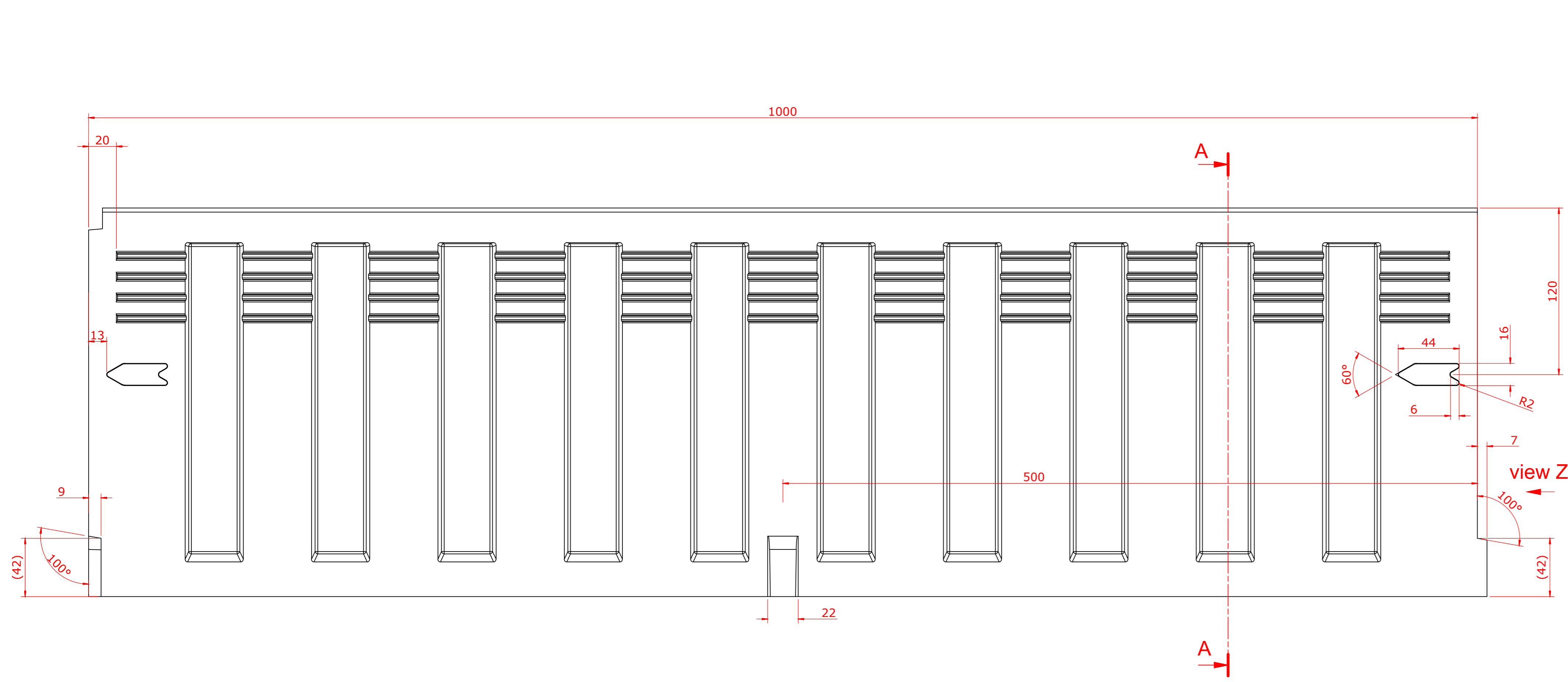
Client:

Project:

Drawing Title: UK STOCK LIBRARY DRAWING  
DM 1540.1  
010712904

Scale: 1:2 @ A0    Drm: SAM    Chkd:

Drawing Number: 010712904    Rev:



**DM 1500.0**

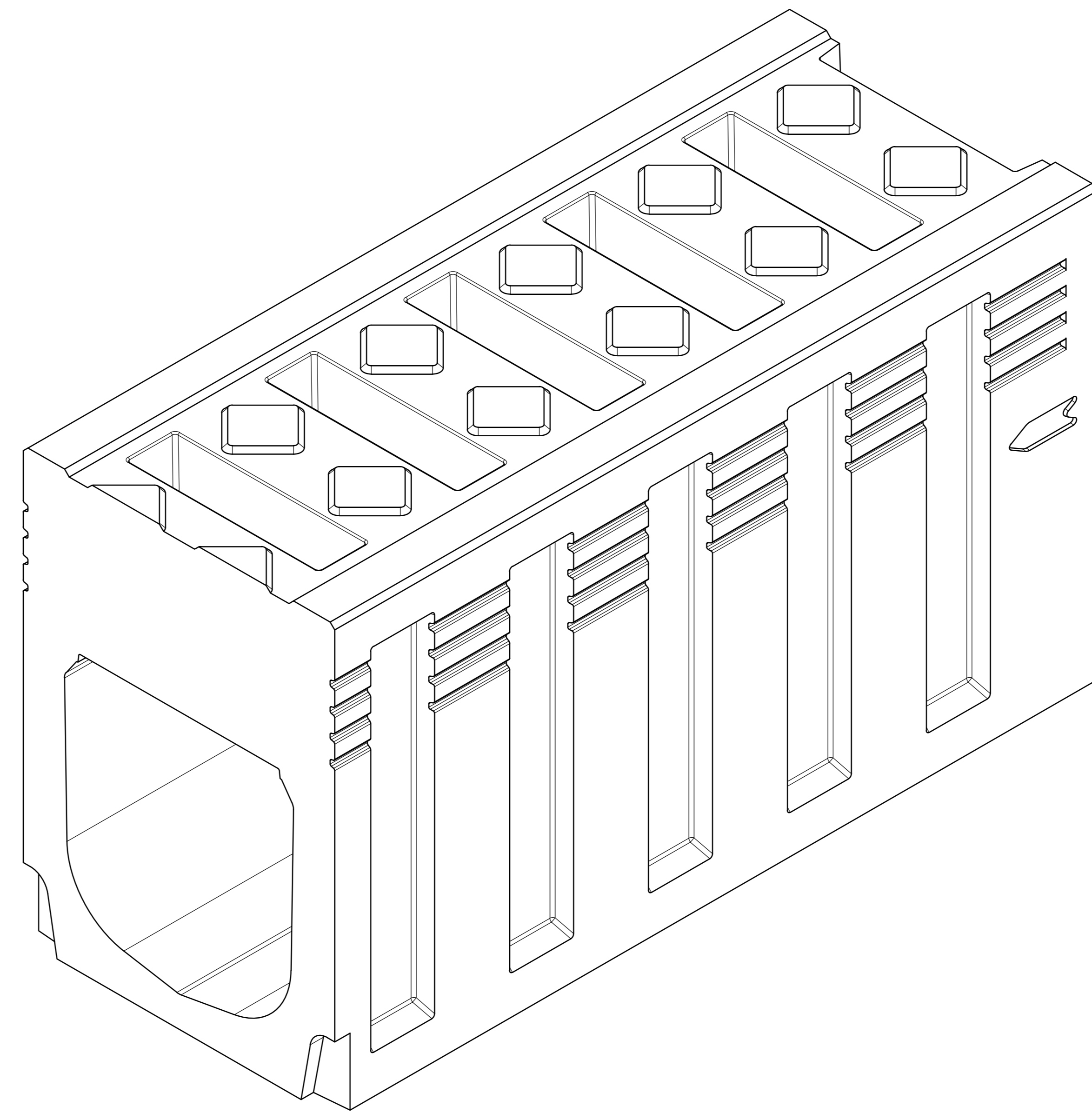
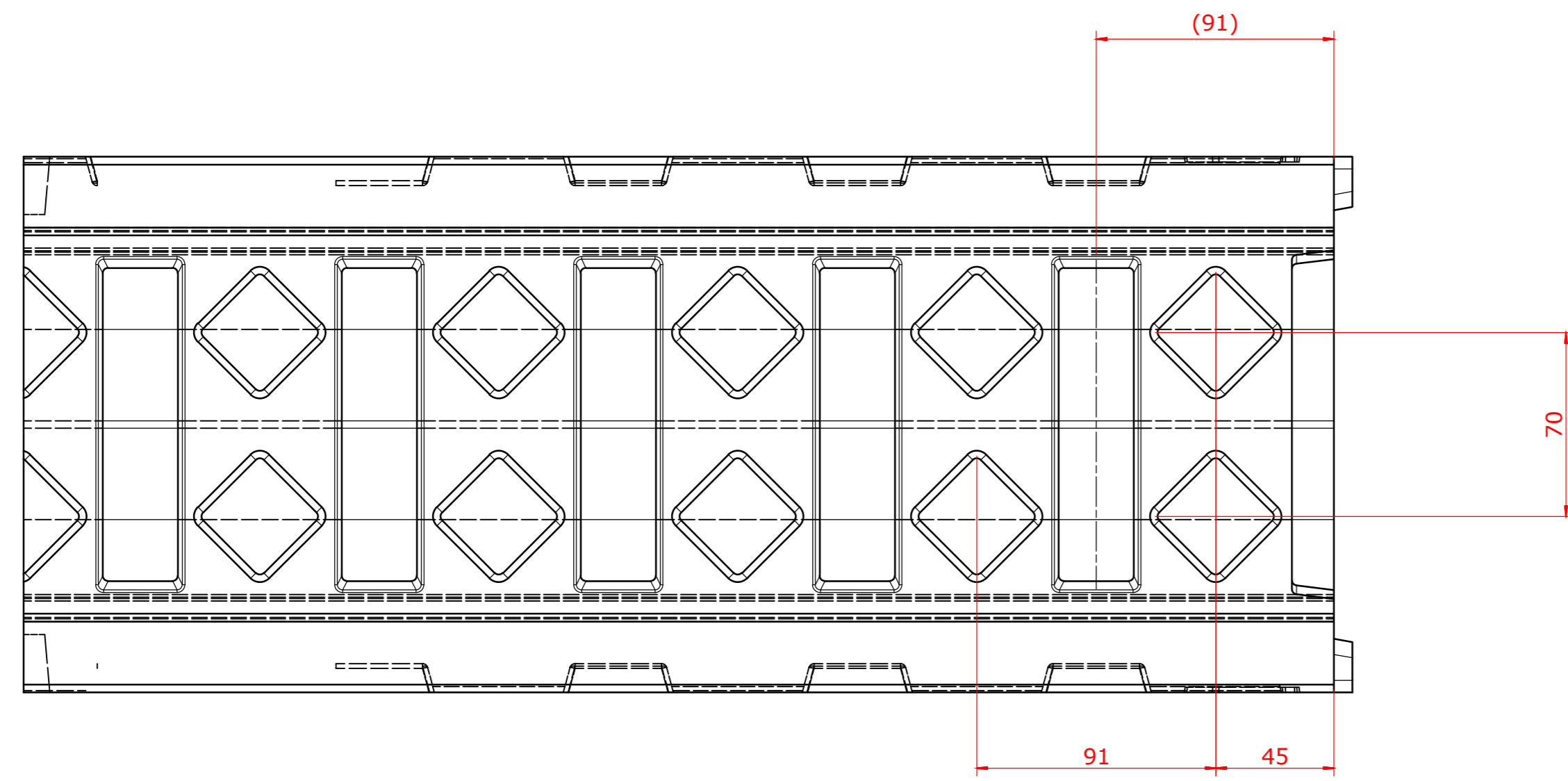
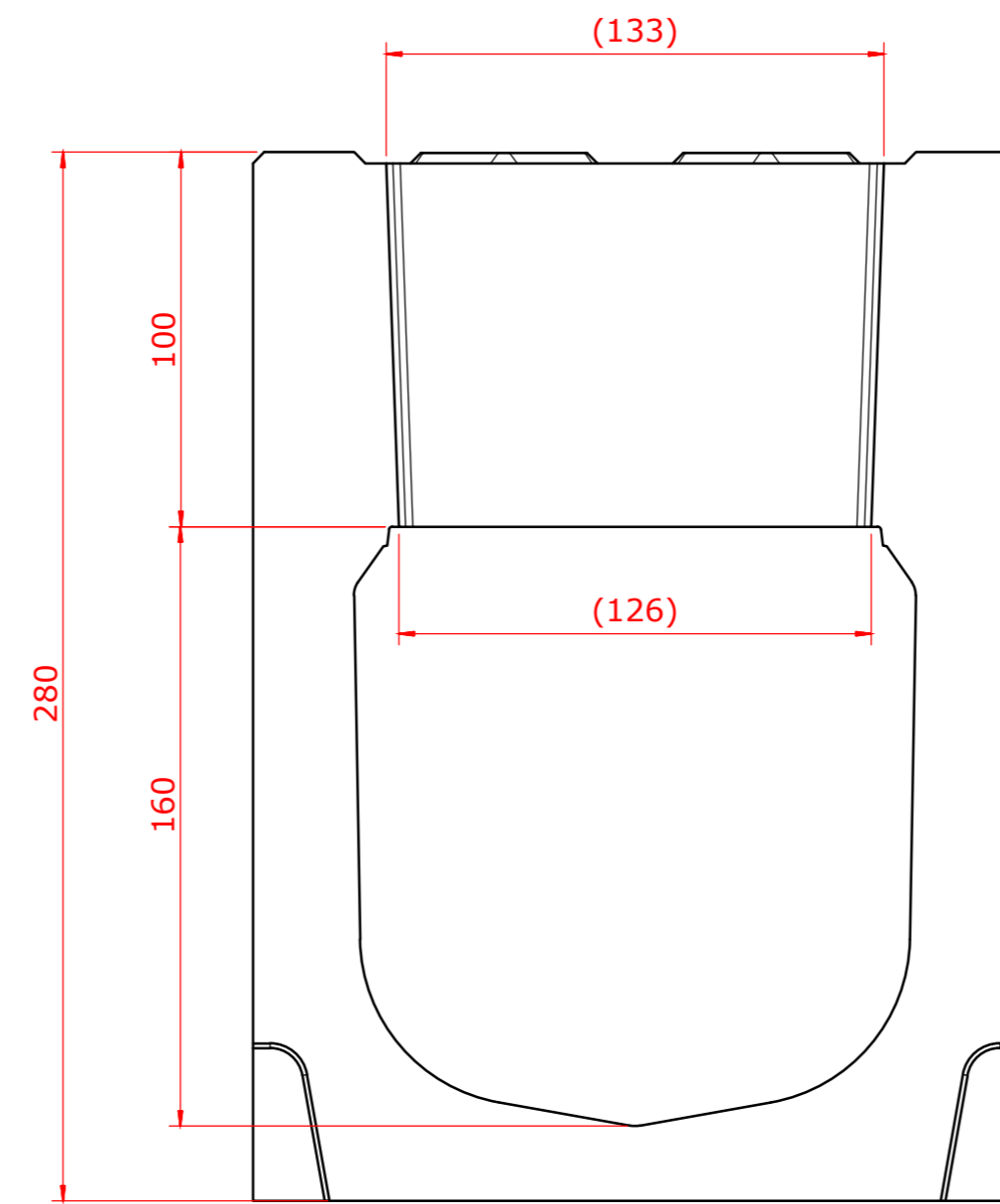
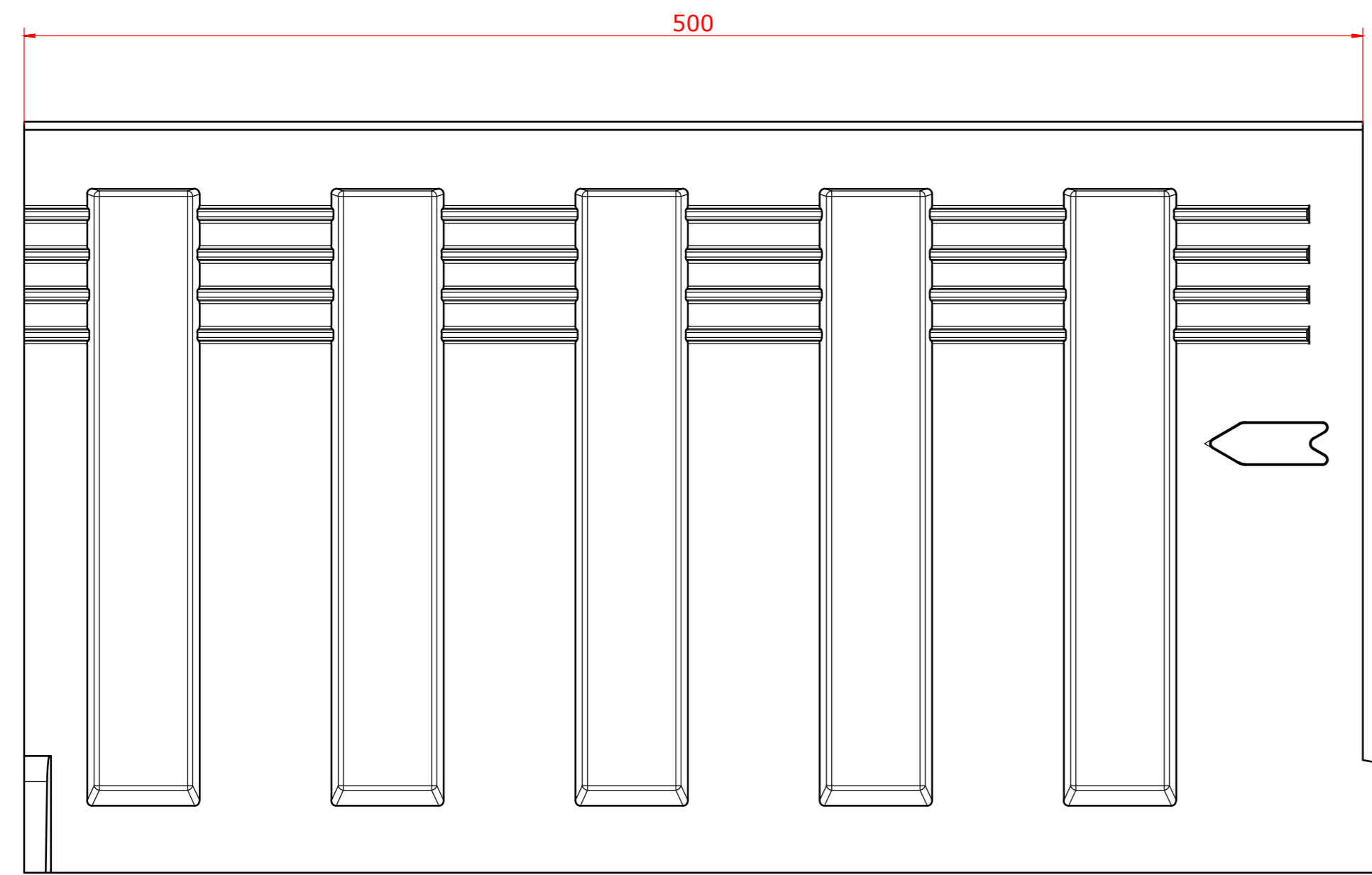
Revision	Drm	Chkd	Date
FOR REFERENCE	SAM		_09.20

**Althon**

ADDRESS: ALTHON LIMITED  
VULCAN ROAD SOUTH  
NORWICH  
NR6 6AF

TEL: 01603 488700  
FAX: 01603 488598  
EMAIL: sales@althon.co.uk  
WEBSITE: www.althon.co.uk

Client: \_\_\_\_\_  
Project: \_\_\_\_\_  
Drawing Title: UK STOCK LIBRARY DRAWING  
DM 1500.0  
010712938  
Scale: 1:2 @ A0 Drm: SAM Chkd: \_\_\_\_\_  
Drawing Number: 010712938 Rev: \_\_\_\_\_



**DM 1500.1**

Revision	Drn	Chkd	Date
FOR REFERENCE	SAM		_09.20



ADDRESS: ALTHON LIMITED  
 VULCAN ROAD SOUTH  
 NORWICH  
 NR6 6AF  
 TEL: 01603 488700  
 FAX: 01603 488598  
 EMAIL: sales@althon.co.uk  
 WEBSITE: www.althon.co.uk

Client:	
Project:	
Drawing Title:	UK STOCK LIBRARY DRAWING DM 1500.1 010712940
Scale:	1:2 @ A0
Drn:	SAM
Chkd:	
Drawing Number:	010712940
Rev:	