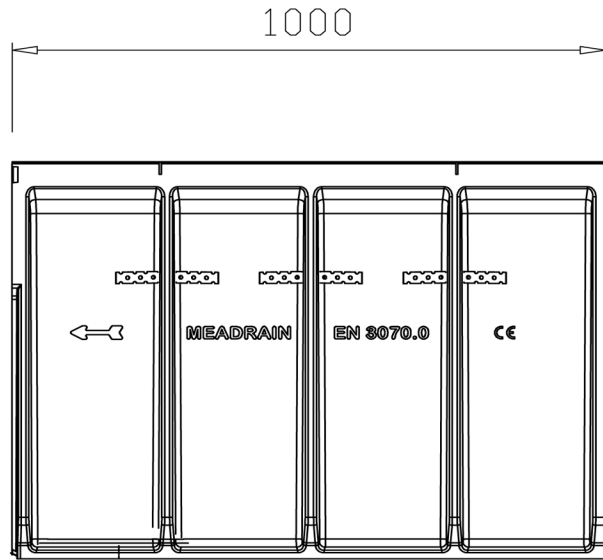
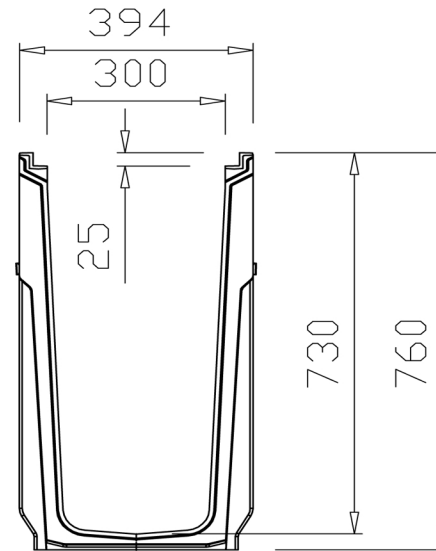


ALTHON ALT HD 2000

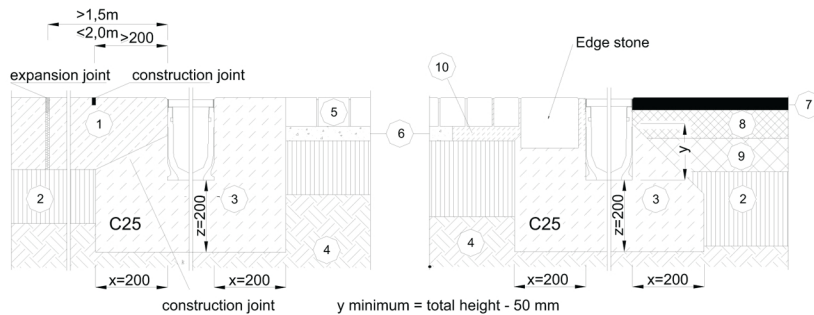


Althon ALT HD 2000.0

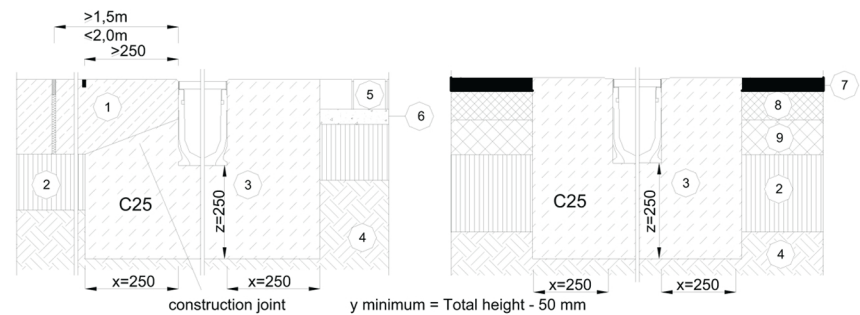


Althon ALT HD 2000.1

Supreme Loading class D 400*



Supreme Loading class F 900



- | | |
|-------------------|--------------------------|
| ① Concrete | ⑥ Sand layer |
| ② Sub-base | ⑦ Asphalt |
| ③ Concrete haunch | ⑧ Base course |
| ④ Earth | ⑨ Bituminous base course |
| ⑤ Block paving | ⑩ Mortar |

The adjacent surfaces to the channels are to be constructed in such a way that no horizontal forces affect the channel items. Please allow for an overbuild of 3-5mm above the grating surface.

* D 400 unsuitable for cross drainage of high speed roads and motorways



www.althon.co.uk
 Email: sales@althon.co.uk
 tel 01603 488700 fax 01603 488598