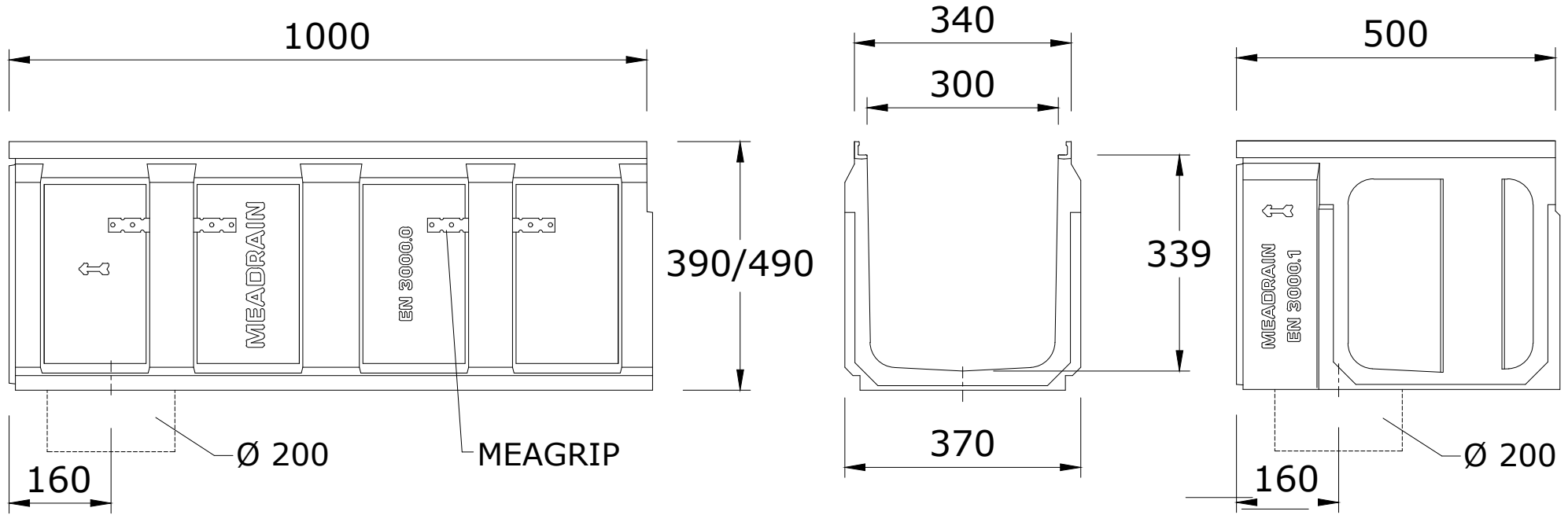


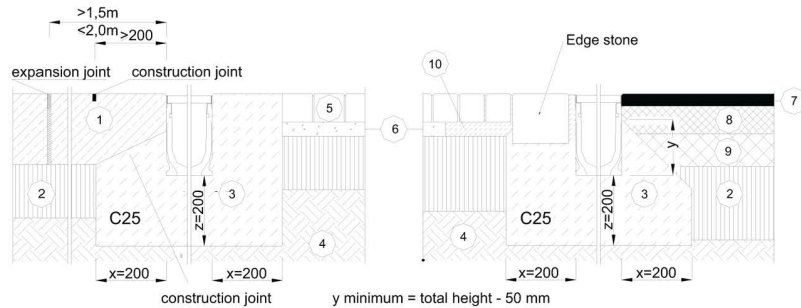
# Althon ALT HD 3000



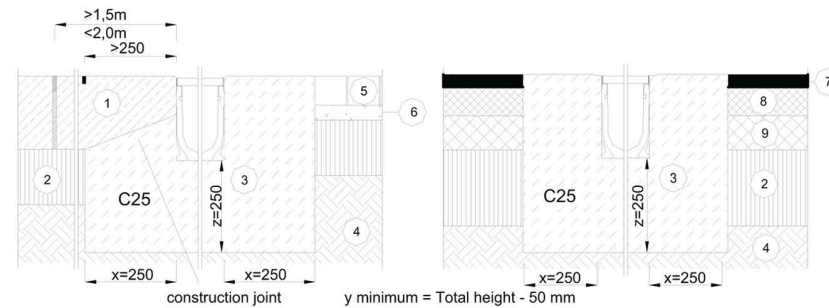
Althon ALT HD 3000.0

Althon ALT HD 3000.1

## Supreme Loading class D 400\*



## Supreme Loading class F 900



- ① Concrete
- ② Sub-base
- ③ Concrete haunch
- ④ Earth
- ⑤ Block paving
- ⑥ Sand layer
- ⑦ Asphalt
- ⑧ Base course
- ⑨ Bituminous base course
- ⑩ Mortar

The adjacent surfaces to the channels are to be constructed in such a way that no horizontal forces affect the channel items. Please allow for an overbuild of 3-5mm above the grating surface.  
 \* D 400 unsuitable for cross drainage of high speed roads and motorways



www.althon.co.uk  
 Email: sales@althon.co.uk  
 tel 01603 488700 fax 01603 488598