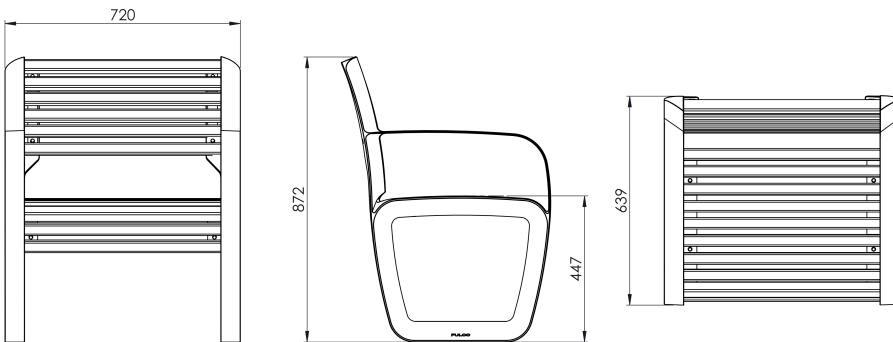




A bench with a backrest and armrests from the ATARIA collection, 60 cm long. The LAT140.00 model is made of cast aluminum and has a wood finish.

The ATARIA collection symbolizes durability combined with original design. The use of aluminum allows not only to obtain an extraordinary design distinguished by incredible durability, but also to care for the environment by using recycled raw materials. Urban furniture from the ATARIA collection sets a new standard in urban space.



Dimensions and materials available below.

MATERIALS



ALUMINUM

ALUMINUM

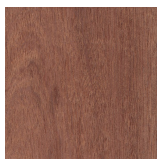


WOOD

SAPELI

IROKO

ASH



www.fulcosystem.com

contact@fulco.pl

phone no.: +48 32 305 05 80