

PRODUCT SPECIFICATION

93010

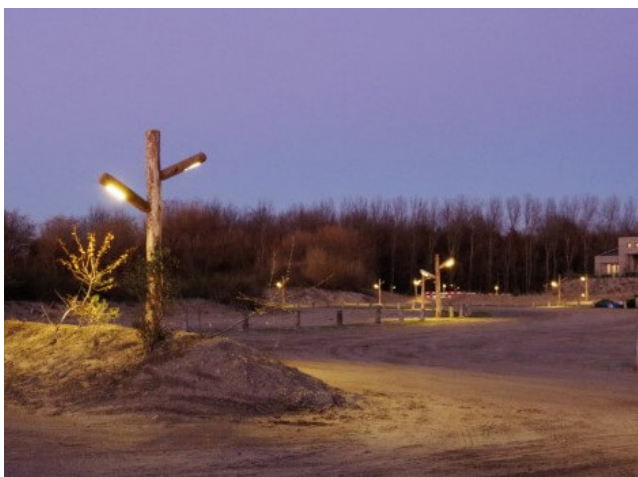
Alto (Wired Lamp Post)

This lamppost comes into its own in any setting, a parking space in the middle of the forest, a nature campsite or a special holiday park. Where a robust, authentic appearance is important. The ALTO is made of durable chestnut wood and has its own LED module for optimal light distribution. Ideal for combining with other chestnut wood products.



PROJECT EXAMPLES

Visitor centre



RELATED PRODUCTS

93009 ANGELO - Wired lamp post



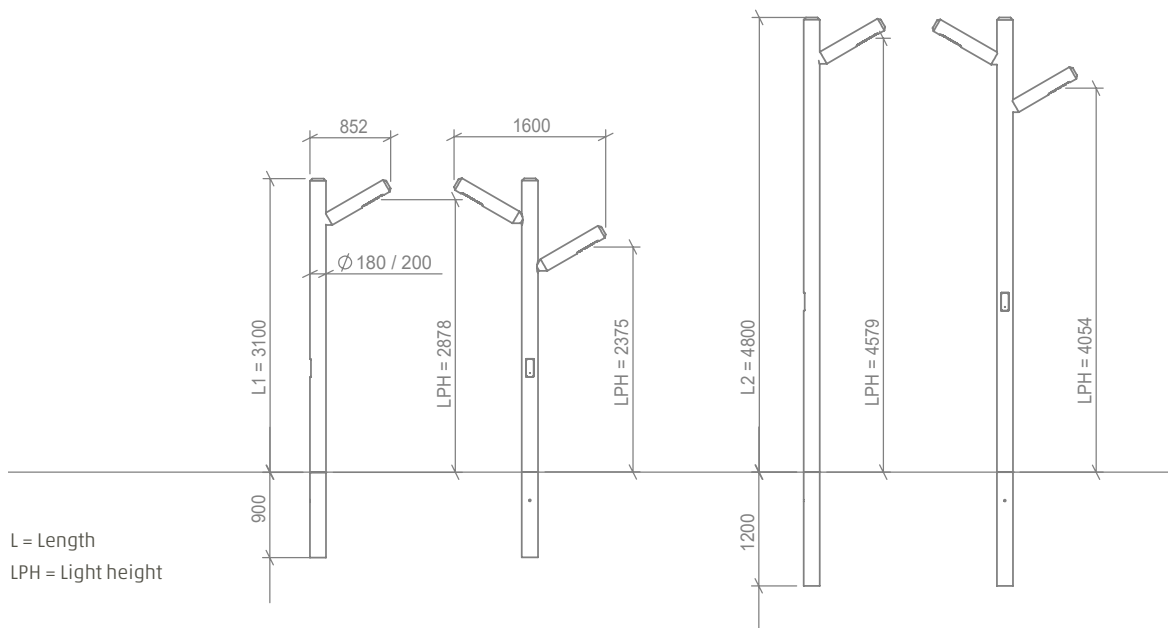
PRODUCT SPECIFICATION

SPECIFICATIONS

- **Wood type:** Chestnut
- **Thickness:** 180 - 200mm
- **IP class:** IP54
- **Voltage:** 230 volts
- **Power per LED module:** 18 Watt
- **Lumen output per LED module:**
 - 2.200K = 1.376 lm
 - 3.000K = 2.413 lm
 - 4.000K = 2.527 lm
 - amber = 809 lm
- **Beam angle:** The LED module has a beam angle of 150x70 degrees
- **Lifespan:** Every type of wood has its own durability rating. More information about this can be found under "Types of wood" & "Sustainability". The LED module has an expected lifespan of 108,000 hours.
- **Lighting data:** Lighting data available on request.

OPTIONS

- **Quality mark:** PEFC
- **Accessories:** The ALTO is available with or without post holder. See chapter 'post holders' for all technical data on the different post holders.
- **Light colour:** Available in 2.200, 3.000, 4.000 K and amber (593 nm).
- **Connection:** Possible with cable or without cable (1 mtr 3x 1.5 mm²). A 32mm hole in the fixture as standard for easy passage for your ground cable.
- **Performance:** A single or double arm.
- **Variations:** At Timberlab, every fixture is carefully produced for you. In addition to the standard options, we are happy to create variations for your application. Think of a wall socket or a different height angle.



	Weight	CO2 storage	Weight	CO2 storage	Weight	CO2 storage	Weight	CO2 storage
Chestnut	64 kg	101 kg	76 kg	112 kg	95 kg	108 kg	108 kg	172 kg

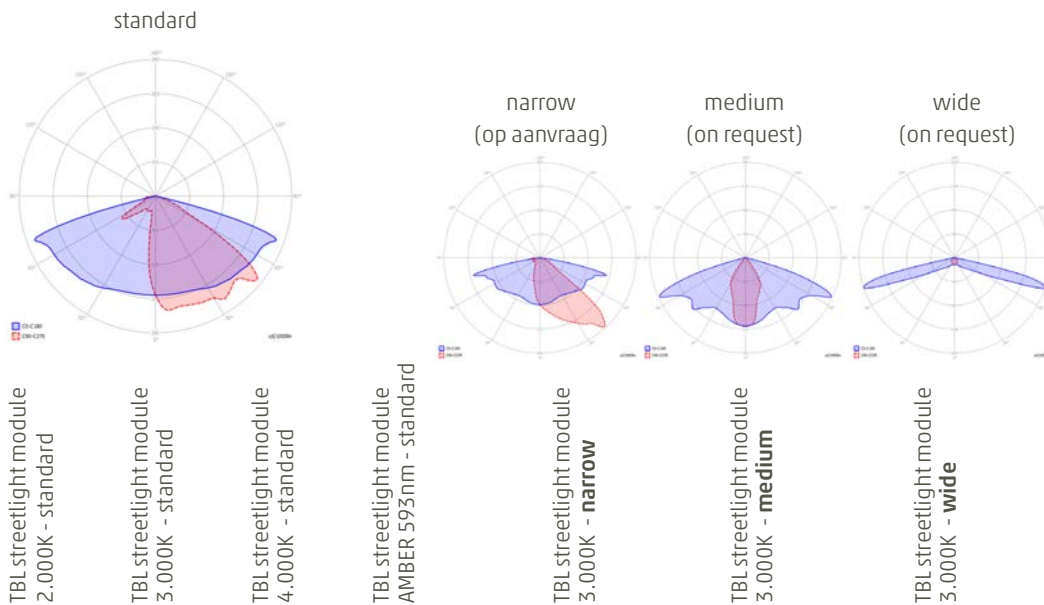


Only products indicated with the FSC® claim are FSC certified and come with our FSC-certificate number NC-COC-029615-KE. Only products indicated with the PEFC™ claim are 100% PEFC certified and come with our PEFC-certificate number NC-PEFC/COC-029615-FJ.



PRODUCT SPECIFICATION

LED MODULES



	TBLstreetlight module 2.000K - standard	TBLstreetlight module 3.000K - standard	TBLstreetlight module 4.000K - standard	TBLstreetlight module AMBER 593nm - standard	TBLstreetlight module 3.000K - narrow	TBLstreetlight module 3.000K - medium	TBLstreetlight module 3.000K - wide
Voltage	230 VAC	230 VAC	230 VAC	230 VAC	230 VAC	230 VAC	230 VAC
Power	18.9W*	18.3W*	18.4W*	14.8W*	18.3W*	18.3W*	18.3W*
Power factor	0.4*	0.4*	0.4*	0.38*	0.4*	0.4*	0.4*
Lumen output	1376 lm*	2413 lm*	2527 lm*	809 lm*	2413 lm*	2413 lm*	2413 lm*
Efficiency	73 lm/W*	132 lm/W*	137 lm/W*	55 lm/W*	132 lm/W*	132 lm/W*	132 lm/W*
Colour temp.	2200K 2087K*	3000K 2989K*	4000K 3877K*	AMBER x=0.6134 y=0.3838*	3000K 2989K*	3000K 2989K*	3000K 2989K*
CRI	81*	73*	73*	n.a.	73*	73*	73*
Dimmable	on request	on request	on request	on request	on request	on request	on request
Label	A	A++	A++	A	A++	A++	A++
IP grade	IP 54	IP 54	IP 54	IP 54	IP 54	IP 54	IP 54
Beam angle	151x68*	151x68*	150x68*	145x60*	151x68*	151x68*	151x68*
Number of LEDs	16	16	16	16	16	16	16
Temperature range in operation	-30...+50°C	-30...+50°C	-30...+50°C	-30...+50°C	-30...+50°C	-30...+50°C	-30...+50°C
Lifespan	108.000 h	108.000 h	108.000 h	108.000 h	108.000 h	108.000 h	108.000 h

* Measured values