

CLD Ball Stop Netting

Netting to integrate with Sports Fencing Systems

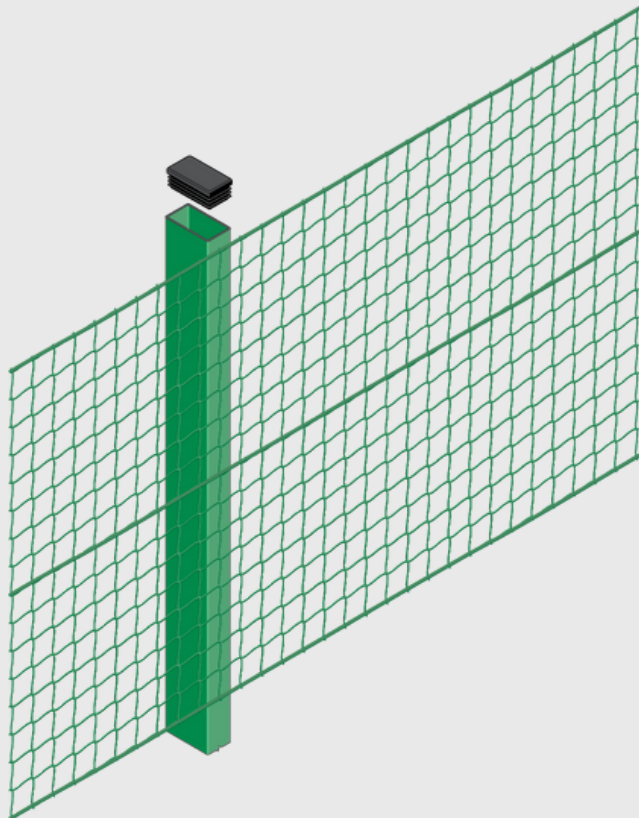


Description

CLD Ball Stop polypropylene netting is the perfect solution to preventing balls escaping and ensuring there are no stoppages, because keeping balls within the areas of play is essential in many sports.



Find out more
Scan for more information



Features

Cost effective

Weather resistant

Choice of colours



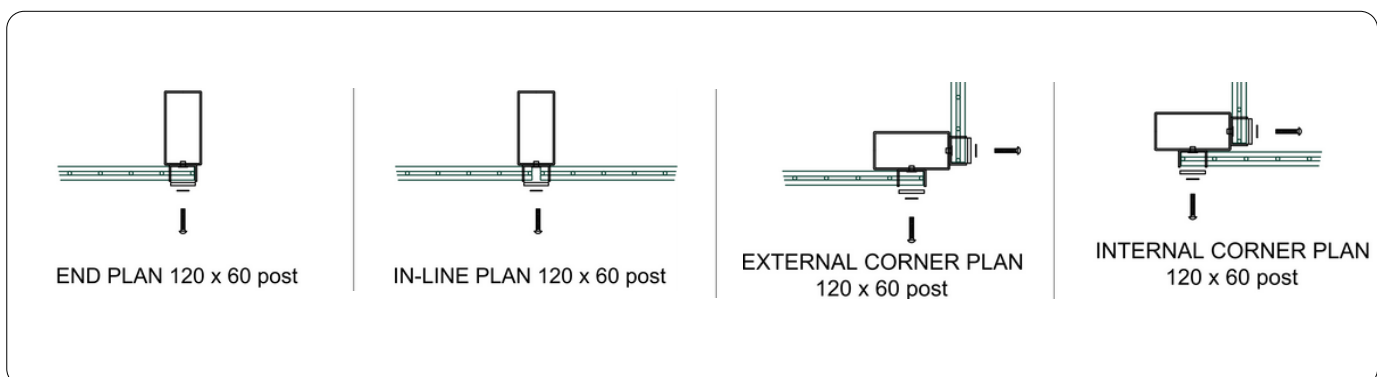
CLD Ball Stop Netting

Netting to integrate with Sports Fencing Systems

Product Technical Information

Integration	Integrates with CLD Sports Fencing Mesh systems
Heights	500mm to 10000mm
Nominal heights	0.5 to 10m
Mesh apertures	To suit customer requirements: 25mm x 25mm, 50mm x 50mm, 100mm x 100mm as standard.
Width	To suit customer requirements
Wire diameter	Variable
Finish	Polyester powder-coated to 60-80 microns or 160-200 microns with marine grade and metallics. Any RAL colour available
Application	Fits to posts easily, with strong line wire for added support
Warranty	Minimum of 12 months against manufacturing defects
Notes	All dimensions are nominal, for further information please contact CLD Fencing Systems. Information is correct at time of production. As part of our policy of continuous improvement, we reserve the right to alter product specification without notice.

System Details



Disclaimer

Fencing should be installed in accordance with BS 1722-14. Every care has been taken to ensure that all information provided on this data sheet is accurate. CLD Fencing Systems Ltd reserves the right to change product specification at any time.

Please ensure that you have the latest information which can be found on our website or by contacting our team.

Document Reference - CLD_Ball_Stop_Netting_DS_20230222