



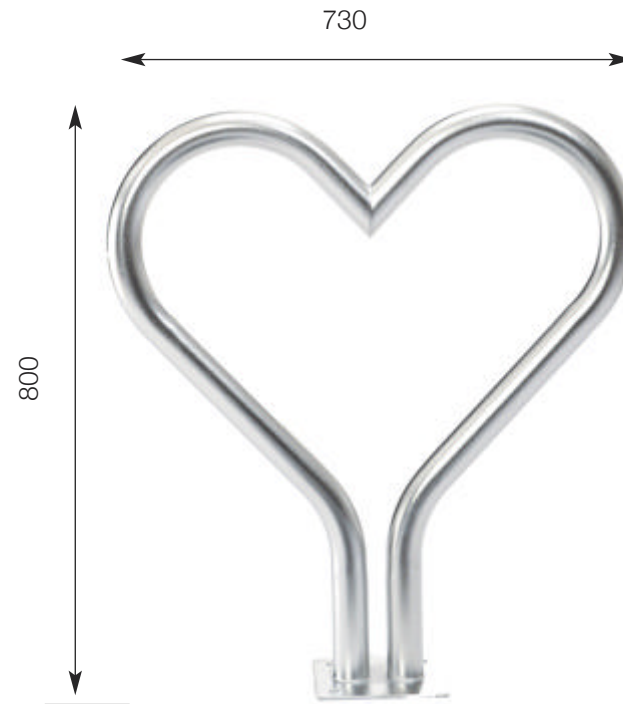
Technical Specification

Height: 800mm
Width: 730mm
Weight: Steel: 9.5 kilo, Stainless Steel: 6.5 kilo
Diameter: Steel: 48.3 x 3mm, Stainless Steel: 50 x 2mm
Fixing styles: : Submerged or Bolt down flange

- | | |
|------------------------------------|--|
| ST13-BL Rilsan® black nylon | ST13-GA Galvanised |
| ST13-SS Stainless Steel | ST13-GR Galvanised + powder coat hybrid |
| ST13-AS Armoured Sheen® | |

Tough Love

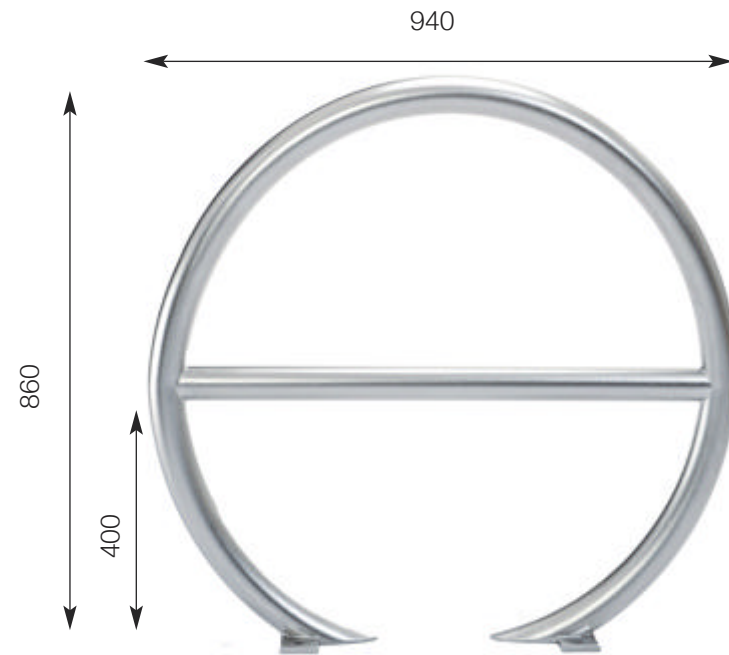
The unique design of Tough Love is a popular alternative for the safe and secure parking of bikes. This novel stand is user friendly and allows 2 bikes to be locked securely with both front and rear wheels.





Theta

Similar to our 'O' Ring, this carefully designed and built cycle stand has an added cross tube for extra secure locking points.



Technical Specification

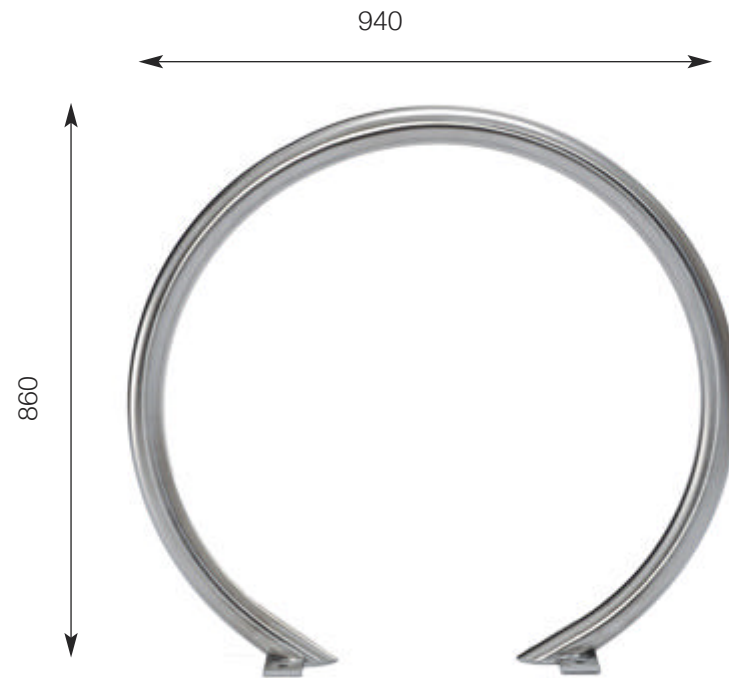
Height: 860mm
 Width: 940mm
 Weight: Steel: 12.0 kilo, Stainless Steel: 10.0 kilo
 Diameter: Steel: 60 x 3mm, Stainless Steel: 60 x 2.5mm
 Fixing styles: : Submerged or Bolt down flange

ST15-BL Rilsan® black nylon	ST15-GA Galvanised
ST15-SS Stainless Steel	ST15-GR Galvanised + powder coat hybrid
ST15-AS Armoured Sheen®	



O Ring

Our “O” Ring stand is a popular choice for town centres. The beautiful smooth lines give a clean uncluttered contemporary feel.



Technical Specification

Height: 860mm
Width: 940mm
Weight: Steel: 10.5 kilo, Stainless Steel: 8.0 kilo
Diameter: Steel: 60 x 3mm, Stainless Steel: 60 x 2.5mm
Fixing styles: : Submerged or Bolt down flange

ST14-BL Rilsan® black nylon

ST14-GA Galvanised

ST14-SS Stainless Steel

ST14-GR Galvanised + powder coat hybrid

ST14-AS Armoured Sheen®

Safety Pin

Our stylish Safety Pin stand works well where space is limited and where an interesting and unusual design is required.



Technical Specification

Height: 800mm
Width: 370mm
Weight: Steel: 11.5 kilo, Stainless Steel: 8.2 kilo
Diameter: Steel: 48 x 3mm, Stainless Steel: 50 x 2mm
Fixing styles: : Submerged or Bolt down flange

ST17-BL Rilsan® black nylon

ST17-GA Galvanised

ST17-SS Stainless Steel

ST17-GR Galvanised + + powder coat hybrid

ST17-AS Armoured Sheen®



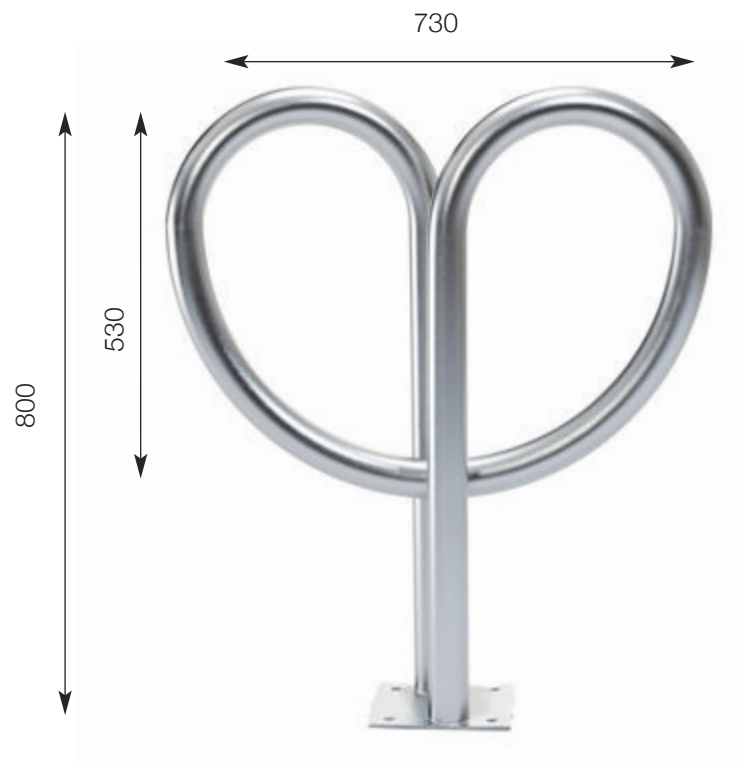


Tulip

Another unique design concept that not only looks amazing but also functions well as a cycle stand. Both wheels can be locked ensuring high security.

Technical Specification

Height: 800mm
Width: 730mm
Weight: Steel: 13.0 kilo, Stainless Steel: 9.0 kilo
Diameter: Steel: 48 x 3mm, Stainless Steel: 50 x 2mm
Fixing styles: : Submerged or Bolt down flange

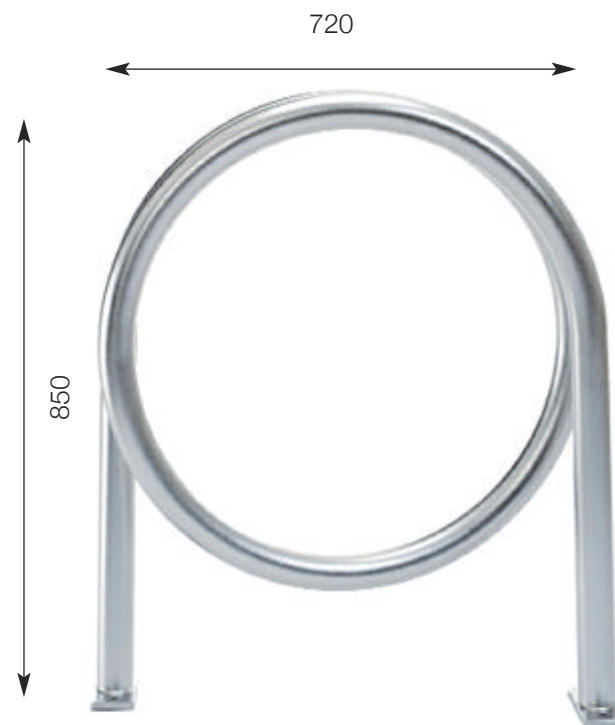


- ST16-BL** Rilsan® black nylon
- ST16-GA** Galvanised
- ST16-SS** Stainless Steel
- ST16-GR** Galvanised + powder coat hybrid
- ST16-AS** Armoured Sheen®



Loop the Loop

A similar take on our Safety Pin stand but giving a quite different visual appeal. This sleek design allows both wheels to be locked on for better cycle security.



Technical Specification

Height: 850mm
Width: 720mm
Weight: Steel: 15.0 kilo, Stainless Steel: 11.0 kilo
Diameter: Steel: 48 x 3mm, Stainless Steel: 50 x 2mm
Fixing styles: : Submerged or Bolt down flange

ST18-BL Rilsan® black nylon

ST18-GA Galvanised

ST18-SS Stainless Steel

ST18-GR Galvanised + powder coat hybrid

ST18-AS Armoured Sheen®



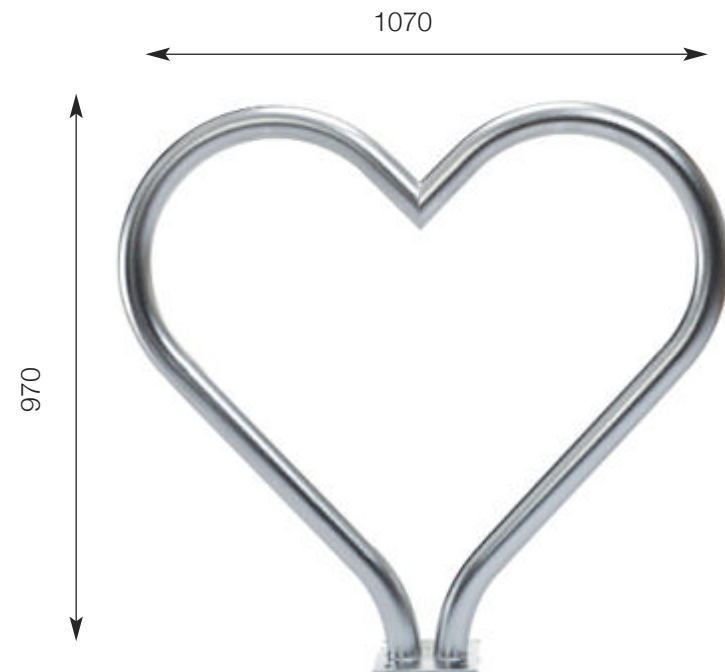
Big Love

A larger version of our popular Tough Love design, this durable stand is made from 60mm diameter tube and is well suited to commercial environments.

Technical Specification

Height: 970mm
Width: 1070mm
Weight: Steel: 14.5 kilo, Stainless Steel: 11.5 kilo
Diameter: Steel: 60 x 3mm, Stainless Steel: 60 x 2.5mm
Fixing styles: : Submerged or Bolt down flange

ST19-BL	Rilsan® black nylon	ST19-GA	Galvanised
ST19-SS	Stainless Steel	ST19-GR	Galvanised + powder coat hybrid
ST19-AS	Armoured Sheen®		





Heavy Hoop

This substantial commercial cycle stand is perfectly proportioned to allow for the locking of each wheel.

Technical Specification

Height: 800mm
Width: 900mm
Weight: Steel: 10.0 kilo, Stainless Steel: 8.5 kilo
Diameter: Steel: 60 x 3mm, Stainless Steel: 60 x 2.5mm
Fixing styles: : Submerged or Bolt down flange

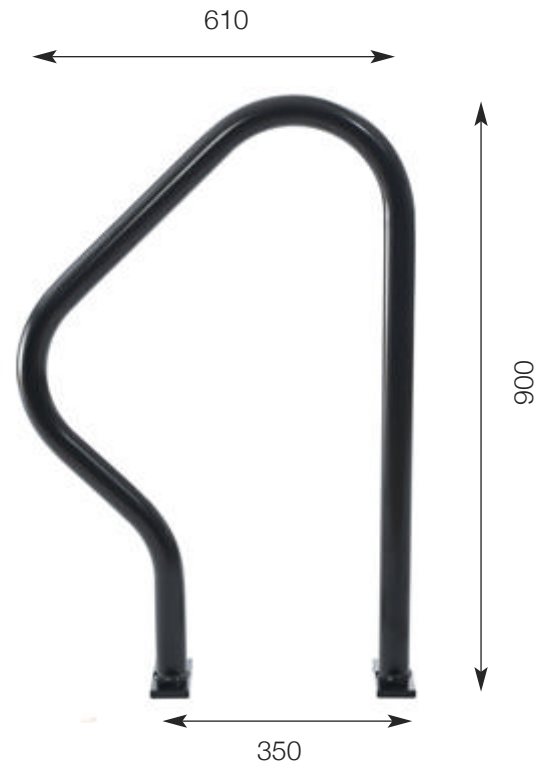
ST07-BL	Rilsan® black nylon	ST07-GA	Galvanised
ST07-SS	Stainless Steel	ST07-GR	Galvanised + powder coat hybrid
ST07-AS	Armoured Sheen®		





Slope Stand

A popular choice and especially effective where space is limited.



Technical Specification

Height: 900mm
Width: 610mm
Weight: Steel: 8.2 kilo, Stainless Steel: 6.0 kilo
Diameter: Steel: 48 x 3mm, Stainless Steel: 50 x 2mm
Fixing styles: : Submerged or Bolt down flange

ST20-BL Rilsan® black nylon

ST20-GA Galvanised

ST20-SS Stainless Steel

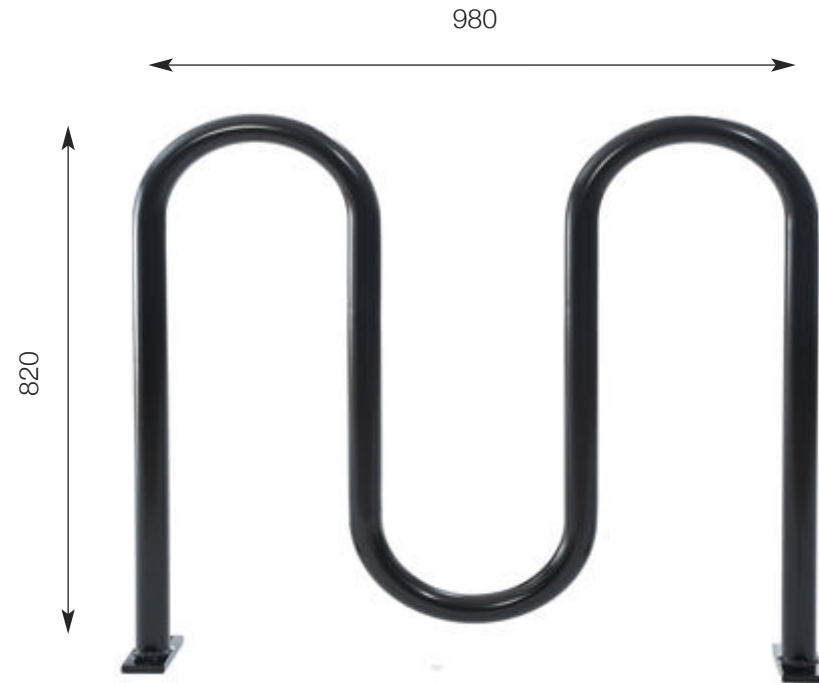
ST20-GR Galvanised + powder coat hybrid

ST20-AS Armoured Sheen®



Serpentine Stand

There are plenty of possibilities for secure locking points with this timeless classic.



Technical Specification

Height: 820mm
Width: 980mm
Weight: Steel: 14.0 kilo, Stainless Steel: 10.0 kilo
Diameter: Steel: 48 x 3mm, Stainless Steel: 50 x 2mm
Fixing styles: : Submerged or Bolt down flange

ST21-BL Rilsan® black nylon

ST21-GA Galvanised

ST21-SS Stainless Steel

ST21-GR Galvanised + powder coat hybrid

ST21-AS Armoured Sheen®



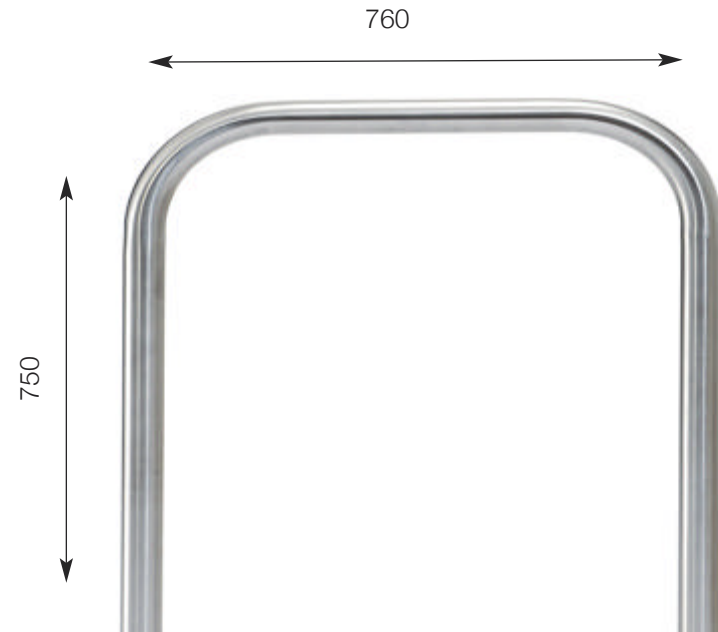
Classic Sheffield

The mainstay of our production, a true classic, used and appreciated universally.

Technical Specification

Height: 750mm
Width: 760mm
Weight: Steel: 10.0 kilo, Stainless Steel: 6.0 kilo
Diameter: Steel: 48 x 3mm, Stainless Steel: 50 x 2mm
Fixing styles: : Submerged or Bolt down flange

ST01-BL Rilsan® black nylon	ST01-GA Galvanised
ST01-SS Stainless Steel	ST01-GR Galvanised + powder coat hybrid
ST01-AS Armoured Sheen®	





Large Bullring

A larger more 'beefy' version of our small Bullring Stand with the same interesting features.

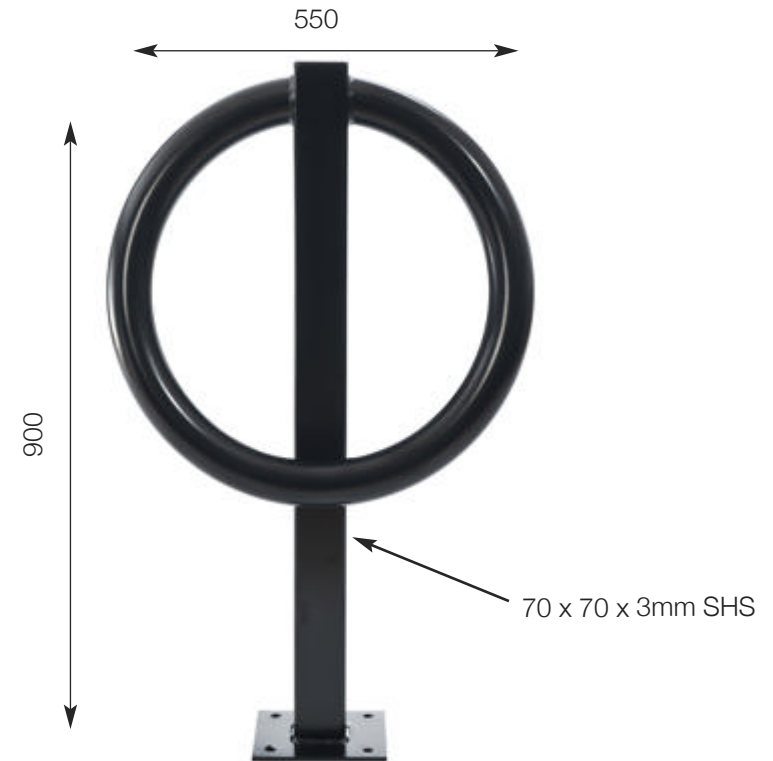
Technical Specification

Height: 900mm
Width: 550mm
Weight: Steel: 11.0 kilo
Diameter: Steel: 60 x 3mm, Post: 70mm x 70mm x 3mm SHS
Fixing styles: : Submerged or Bolt down flange

ST24-BL Rilsan® black nylon

ST24-GA Galvanised

ST24-GR Galvanised + powder coat hybrid





Lollipop

This design can be used as a cycle stand but also doubling as a tie up point for dogs.

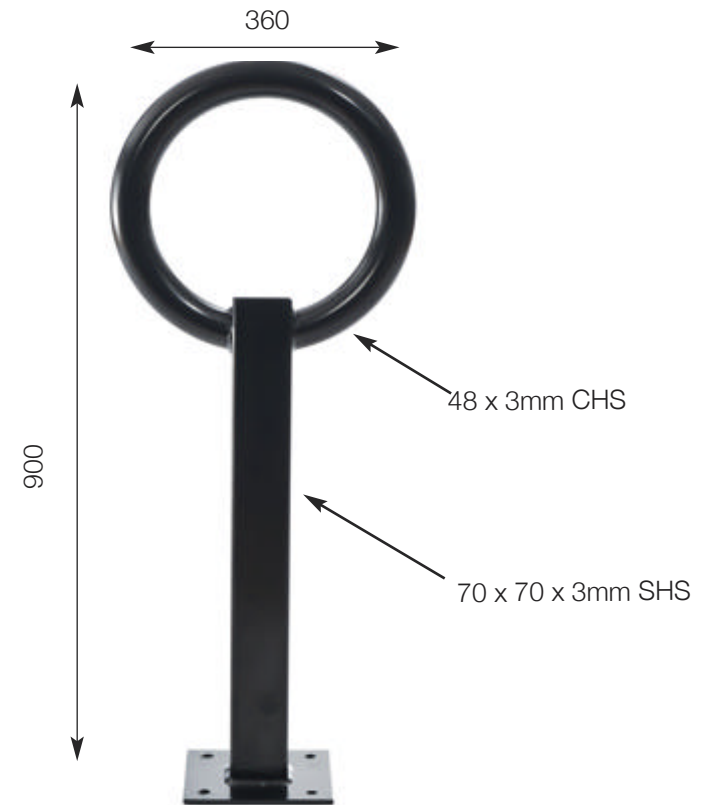
Technical Specification

Height: 900mm
Width: 360mm
Weight: Steel: 8.5 kilo
Diameter: Steel: 48 x 3mm, Post: 70mm x 70mm x 3mm SHS
Fixing styles: : Submerged or Bolt down flange

ST25-BL Rilsan® black nylon

ST25-GA Galvanised

ST25-GR Galvanised + powder coat hybrid



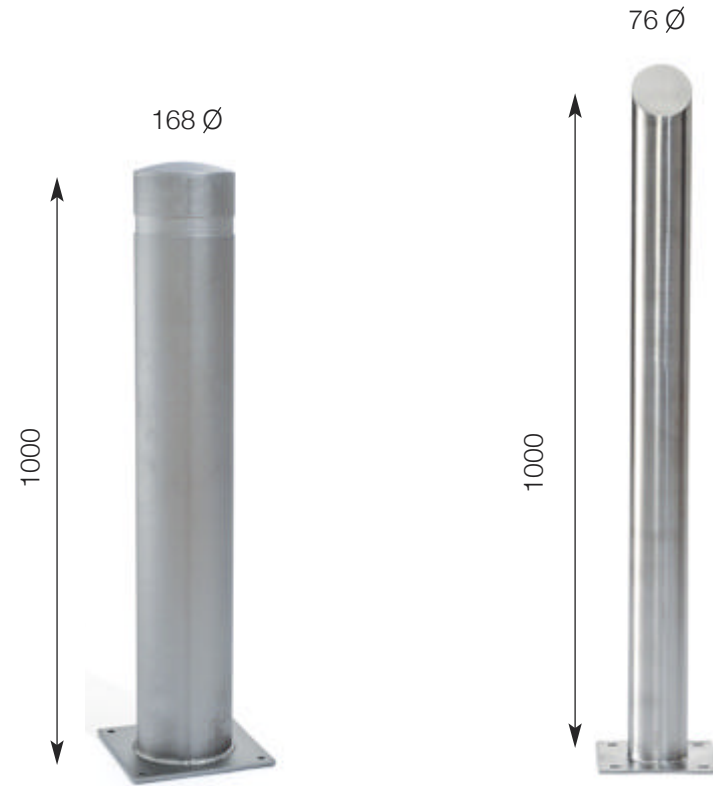


Bollards

We manufacture a vast range of fixed bollards with options on materials and style of tops from flat, mitre and semi-domed.

Technical Specification

- Height: 1000mm
- Weight: Steel: 23.0 kilo, Stainless Steel: 3.5 kilo
- Diameter: Steel: 168 x 5mm, other sizes are available
Stainless steel: 76 x 2mm, other sizes are available
- Fixing styles: : Submerged or Bolt down flange



- ST44-GA Galvanised
- ST44-GR Galvanised + powder coat hybrid

- ST45-SS Stainless Steel
- ST45-AS Armoured Sheen®



Quad Bollard Stand

Incredible strength is achieved with this remarkable design which is resistant to ramming from all directions. Doubles up as a cycle stand. Protects the corner of buildings from vehicles and can be used in factories to protect plant and machinery.



Technical Specification

Height:	800mm
Width:	540mm
Weight:	32.0 kilos
Tube diameter:	76 x 4mm
Fixing requirements:	Submerged or Bolt-down

ST41-GA Galvanised

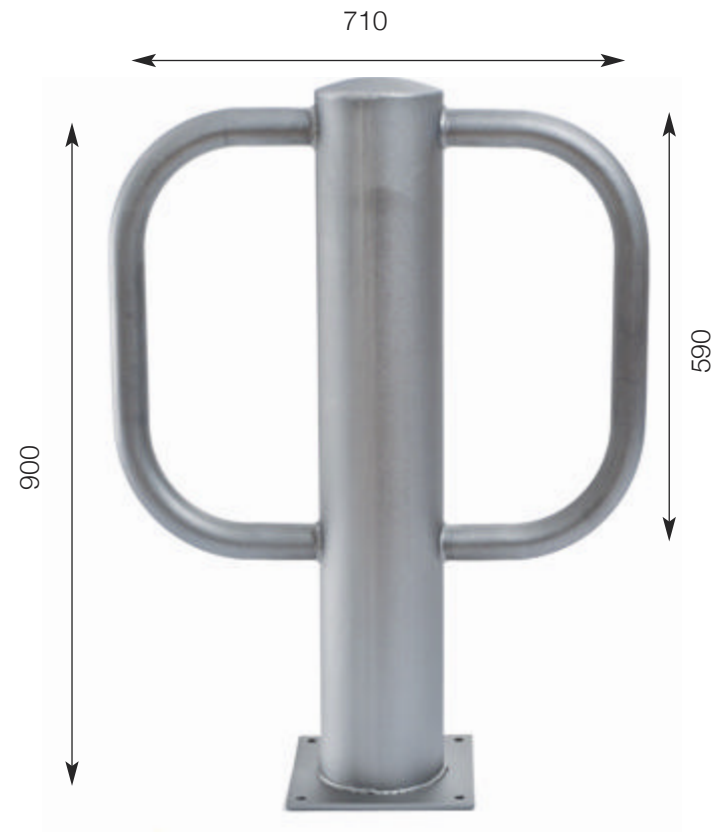
ST41-GR Galvanised + powder coat hybrid

Matches perfectly to our Heavyweight Hoop Barrier



Bollard Stand

An immensely rigid bollard, a real deterrent to ram raiders and a strong secure locking station for bikes.



Technical Specification

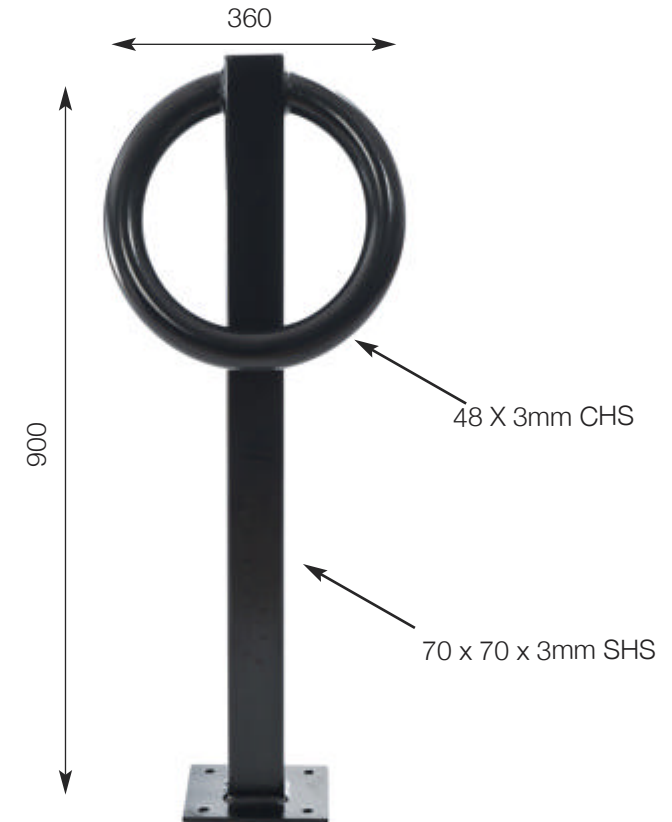
Height:	900mm
Width:	710mm
Weight:	30.0 kilo
Tube diameter:	Steel: 48 x 3mm Post 168 x 5mm CHS
Fixing requirements:	Submerged or Bolt-down

- ST34-BL** Rilsan® black nylon
- ST34-GA** Galvanised
- ST34-GR** Galvanised + powder coat hybrid



Bullring

A great looking stand, certainly a fine addition around waterfront and dockside areas where a nautical feel is required.



Technical Specification

Height:	900mm
Width:	360mm
Weight:	10.0 kilos
Tube diameter:	Steel 50 x 3mm Post 70mm x 70mm x 3mm SHS
Fixing requirements:	Submerged or Bolt-down

ST23-BL	Rilsan® black nylon
ST23-GA	Galvanised
ST23-GR	Galvanised + powder coat hybrid



Post Hoop

A ring on a post theme, but by using a larger hoop it ensures that both front and rear wheels can be locked.

Again, another option for towns and cities that want to extend an appropriate style to areas of historical interest.

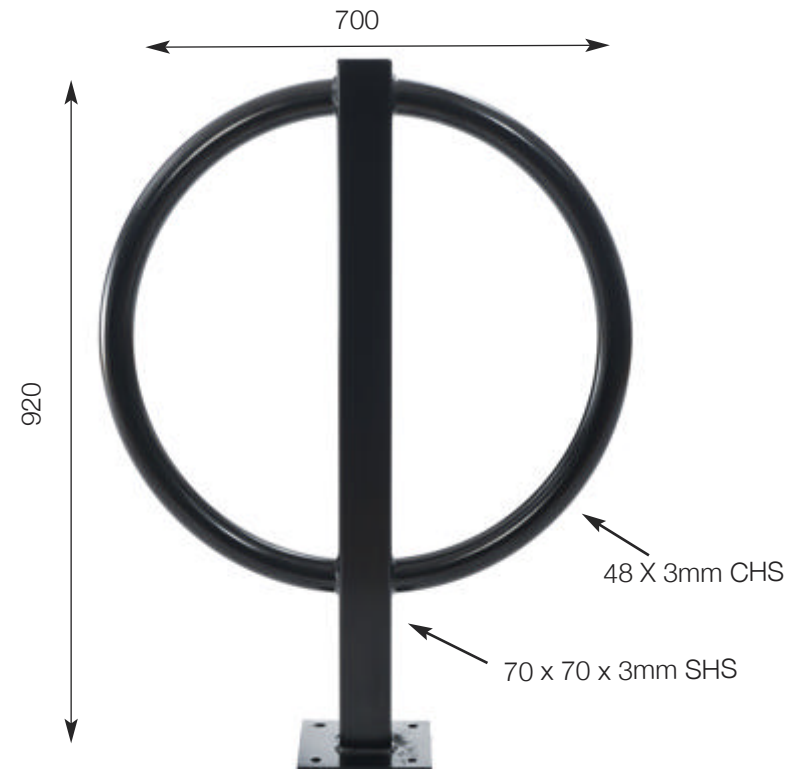
Technical Specification

Height:	920mm
Width:	700mm
Weight:	13.0 kilo
Tube diameter:	Steel 48 x 3mm, Post 70mm x 70mm x 3mm SHS
Fixing requirements:	Submerged or Bolt-down

ST22-BL Rilsan® black nylon

ST22-GA Galvanised

ST22-GR Galvanised + powder coat hybrid





Tall & Wide

A taller version of our Hoop design. This good looking stand has the benefit of double locking points and also has a useful dual function of holding direction signs or advertising boards.



Technical Specification

Height: 1500mm
Width: 690mm
Weight: Steel: 15.0 kilo, Stainless Steel: 10.5 kilo
Diameter: Steel: 48 x 3mm, Stainless Steel: 50 x 2mm
Fixing styles: : Submerged or Bolt down flange

ST11-BL Rilsan® black nylon

ST11-AS Armoured Sheen®

ST11-GR Galvanised + powder coat hybrid

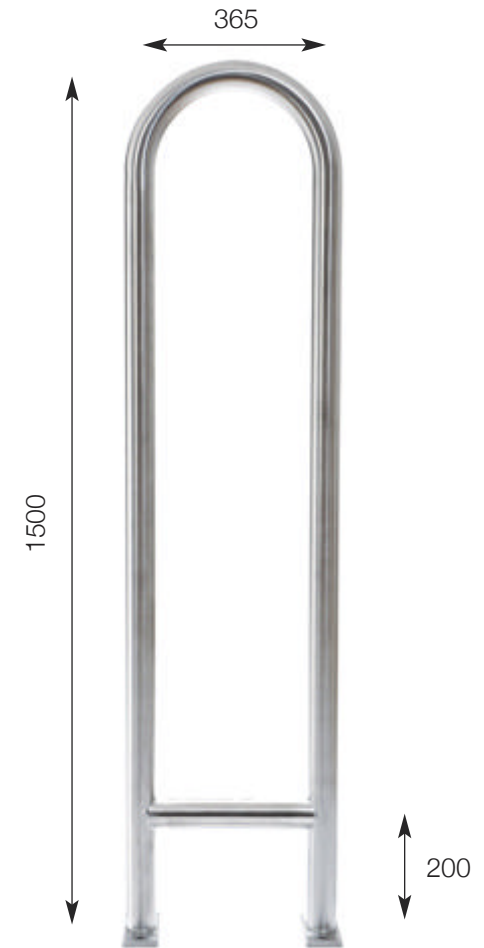
ST11-SS Stainless Steel

ST11-GA Galvanised



Tall & Narrow

A taller version of our smallest Hoop Stand. Some locations will benefit from this sleek, space-saving design.



Technical Specification

Height: 1500mm
Width: 365mm
Weight: Steel: 13.0 kilo, Stainless Steel: 9.0 kilo
Diameter: Steel: 48.3 x 3mm, Stainless Steel: 50 x 2mm
Fixing styles: : Submerged or Bolt down flange

ST10-BL Rilsan® black nylon	ST10-AS Armoured Sheen®	ST10-GR Galvanised + powder coat hybrid
ST10-SS Stainless Steel	ST10-GA Galvanised	



Technical Specification

Height:	800mm
Width:	540mm
Weight:	15.0 kilos
Tube diameter:	76 x 4mm
Fixing requirements:	Submerged or Bolt-down

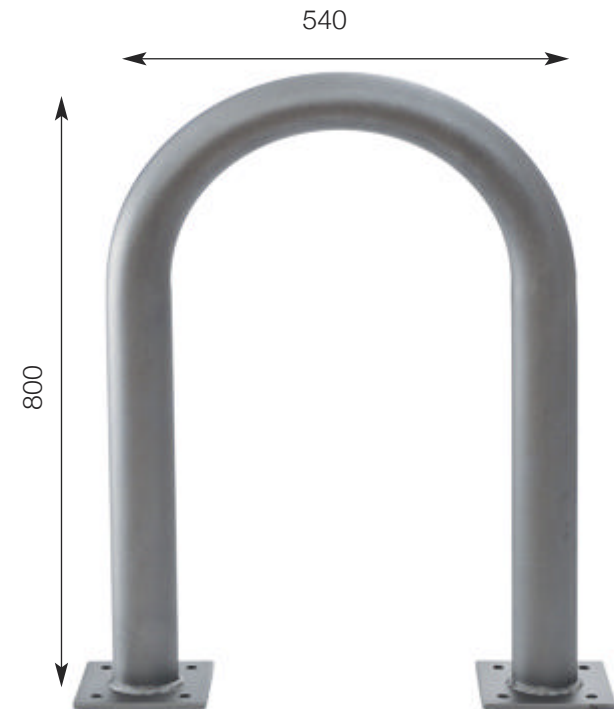
ST09-BL Rilsan® black nylon

ST09-GA Galvanised

ST09-GR Galvanised + powder coat hybrid

Heavyweight Hoop Barrier

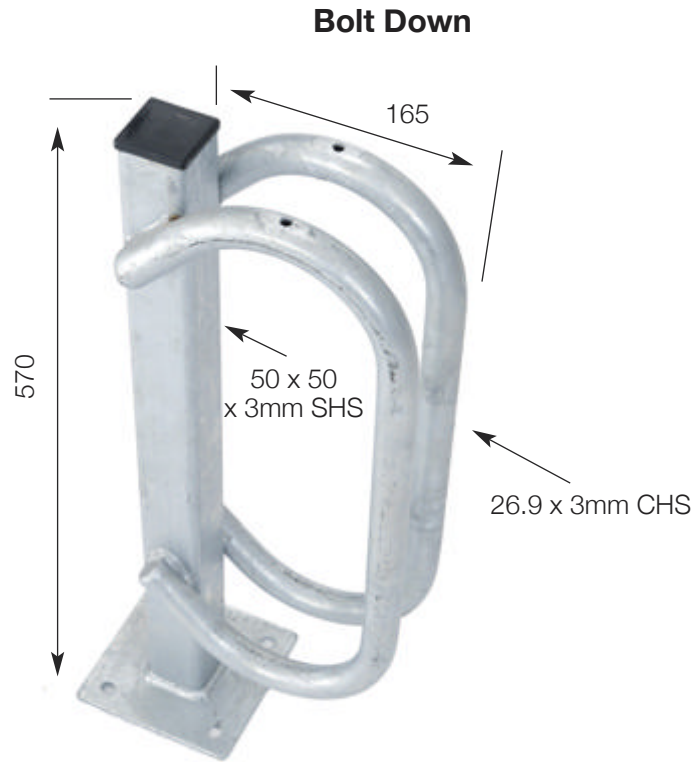
A superstrong model of a hoop stand, with chunky good looks, an extremely robust and heavy construction, these find particular use as vehicle perimeter barriers.



Matches perfectly to our Quad bollard. Use in pairs for post protection.

Wheel Racks

Highly popular system for cycle parking available as either wall mounting or floor fixed. Limited security as only a wheel is locked.



Technical Specification

Height: 570mm
 Width: 215mm
 Weight: 6.5 kilos
 Tube diameter: 27mm
 Fixing requirements: Sink-in or Bolt-down

ST42-BL

Rilsan® black nylon

ST42-GA

Galvanised

Technical Specification

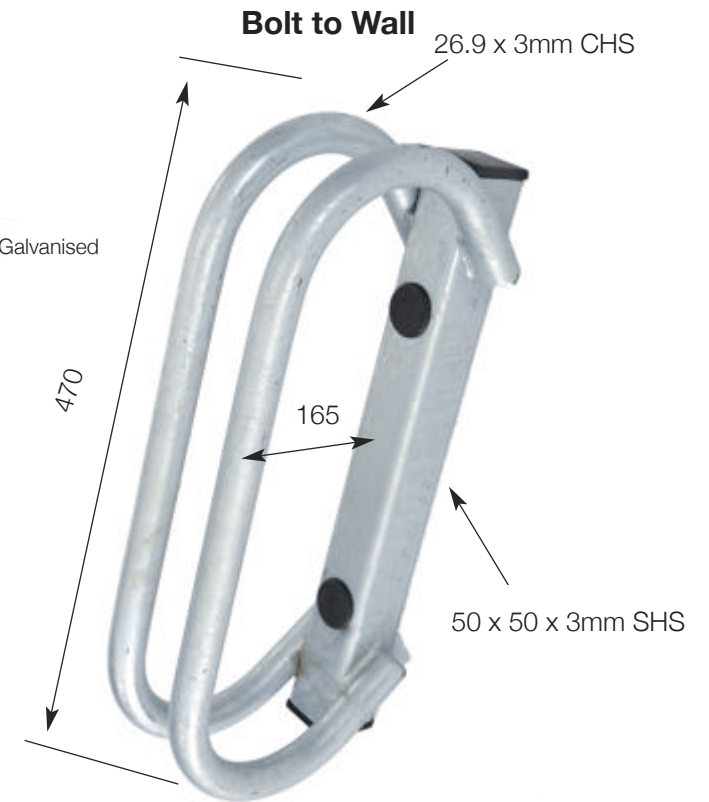
Height: 470mm
 Width: 215mm
 Weight: 6.0 kilo
 Tube diameter: 27mm
 Fixing requirements: Bolt to wall

ST43-BL

Rilsan® black nylon

ST43-GA

Galvanised





Technical Specification (Rail)

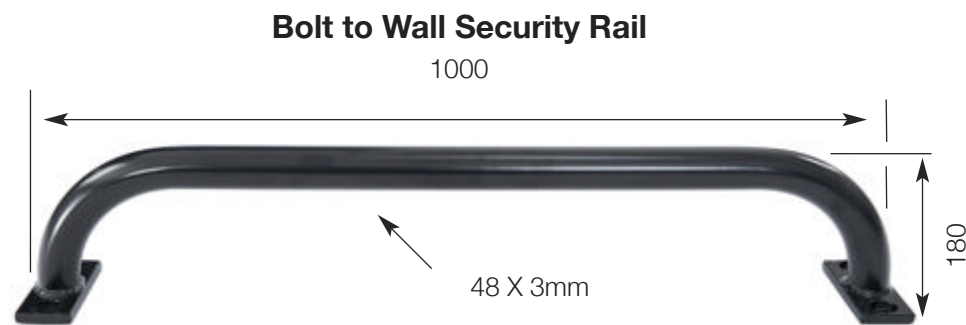
Height: 180mm
 Width: 1000mm
 Weight: Steel: 5.0 kilo, Stainless Steel: 3.5 kilo
 Diameter: Steel: 48 x 3mm Stainless Steel: 50 x 2mm
 Fixing style: : Bolt down flange

- | | |
|------------------------------------|--|
| ST40-BL Rilsan® black nylon | ST40-GA Galvanised |
| ST40-SS Stainless Steel | ST40-GR Galvanised + powder coat hybrid |
| ST40-AS Armoured Sheen® | |

Security Rails and Hoops

Just a starting point for many different configurations of security rails and hoops.

If you need something specific we would be pleased to quote.

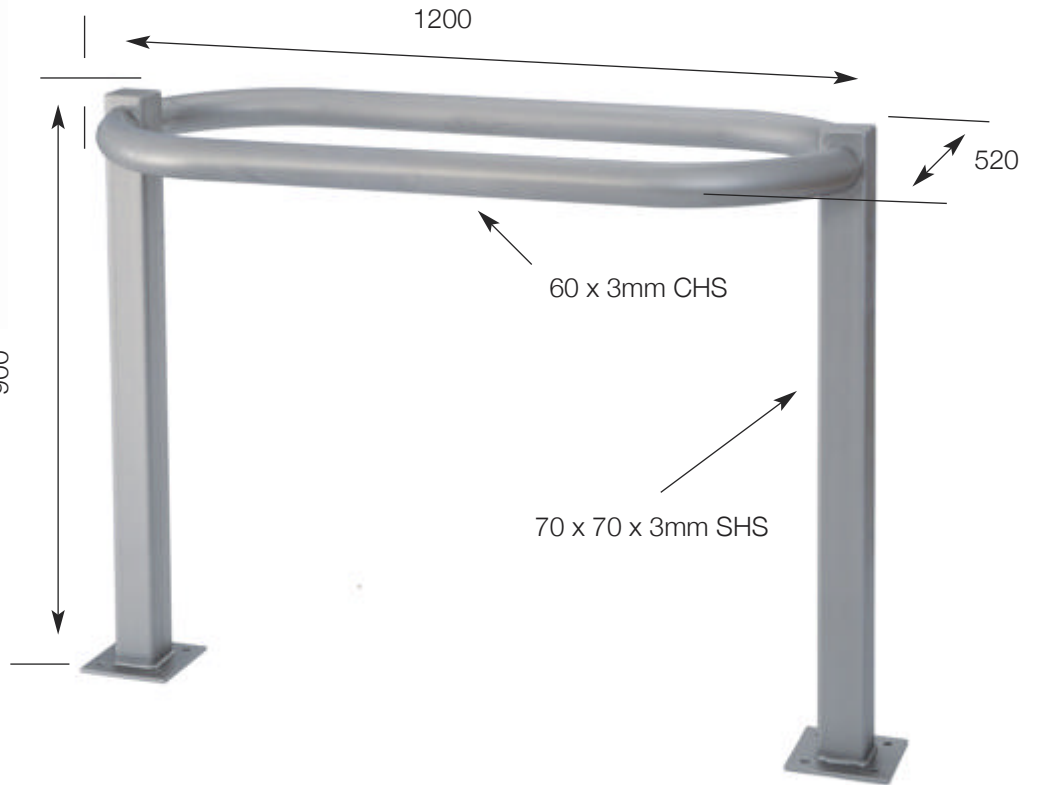


- | | |
|---|--|
| ST39-BL Rilsan® black nylon | ST39-GA Galvanised |
| ST39-SS Stainless Steel fine brushed | ST39-GR Galvanised + powder coat hybrid |
| ST39-AS Armoured Sheen® | |



Motorcycle Stand

This robust style of stand has become generally known as a Motorcycle Stand but don't limit it's use, it works very well for any two wheelers.



Technical Specification

Height:	900mm
Width:	1200mm
Depth:	520mm
Weight:	25.0 kilos
Tube diameter:	Steel 60 x 3mm, Post 70mm x 70mm x 3mm SHS
Fixing requirements:	Submerged or Bolt-down





Post Protector

Post protection with confidence, it offers solid defence to vulnerable assets.

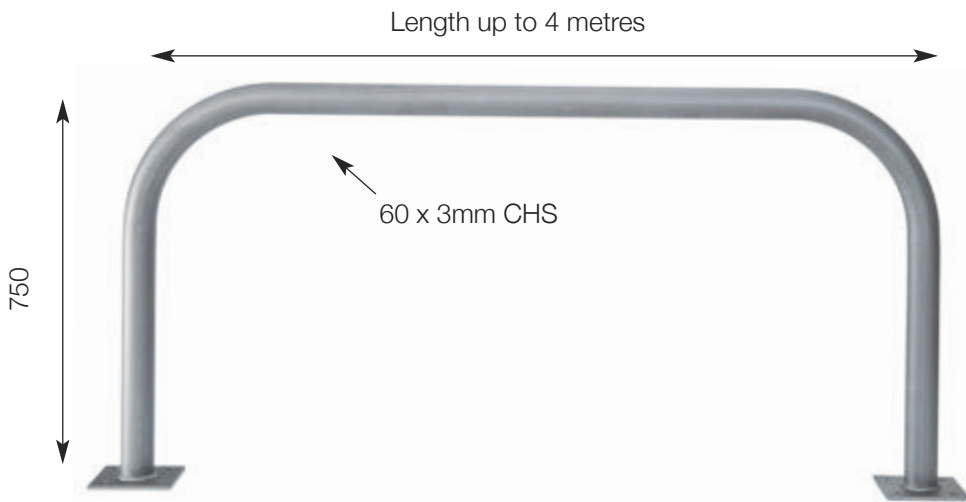
Technical Specification

Height:	800mm
Width:	560mm
Weight:	18.0 kilo
Tube diameter:	Steel 60 x 3mm
Fixing requirements:	Submerged or Bolt-down

ST38-GA Galvanised

ST38-GR Galvanised + powder coat hybrid





Hoop Barriers

We can manufacture barriers up to 4 metres in length and 1.2 metres high, plus 400mm, for concreting into the ground.

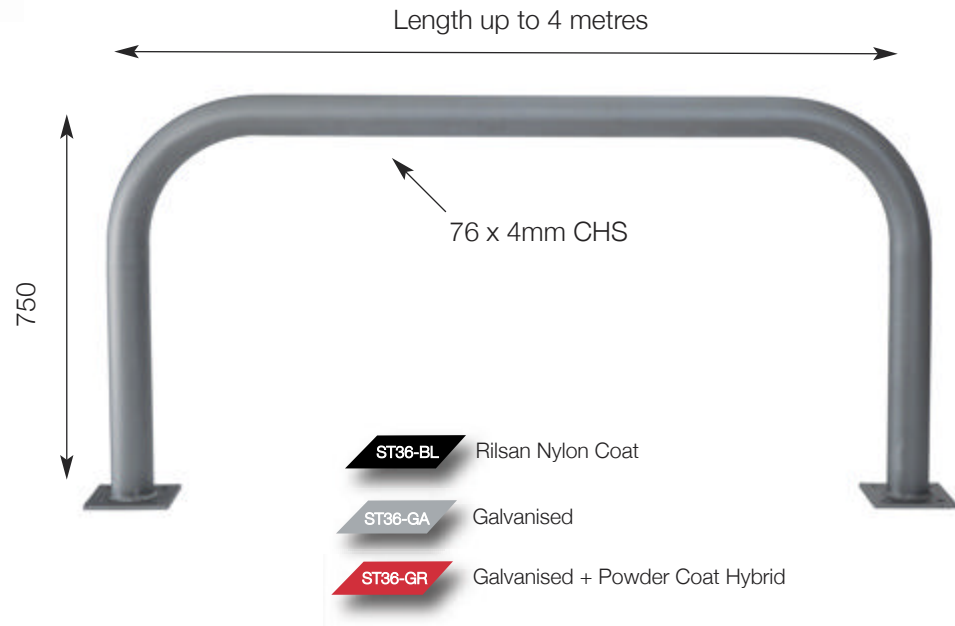
50 and 60mm diameter barriers can also be supplied in fine brush finished stainless steel

Non standard sloping barriers can also be manufactured.

- | | |
|------------------------------------|--|
| ST35-BL Rilsan® black nylon | ST35-GA Galvanised |
| ST35-SS Stainless Steel | ST35-GR Galvanised + Powder Coat
Limited RAL colour range. |
| ST35-AS Armoured Sheen® | |

Technical Specification

	48 x 3mm	60 x 3mm	76 x 4mm
Height:	750mm		
Weight: (per metre)	3.4 kilo	4.4 kilo	7.2 kilo
Fixing requirements:	Submerged or Bolt-down		



- | |
|--|
| ST36-BL Rilsan Nylon Coat |
| ST36-GA Galvanised |
| ST36-GR Galvanised + Powder Coat Hybrid |



Technical Specification

Can receive any 48 or 60mm Cycle Stands
 Length: Up to 6 metres long
 Channel section: 76mm x 38mm
 Fixing requirements: Bolt-down
 Finishes available: Galvanized steel channel section, rails are supplied in matched pairs

- | | |
|--------------------|--------------------|
| ST27-GA Galvanised | ST31-GA Galvanised |
| ST28-GA Galvanised | ST32-GA Galvanised |
| ST29-GA Galvanised | ST33-GA Galvanised |
| ST30-GA Galvanised | |

Toast Rack Base Rails

Our sturdy modular design allows any configuration of toast racks to be built, based on our separate galvanized base rail system. Simply select the number and style of cycle stands from our range and add the base rails to match. The racks are supplied for simple site assembly using a spanner only and include all fittings and full instructions.



One of our key products, we can manufacture to your specific requirement. Another advantage of being highly skilled and well equipped mandrel tube bending experts.

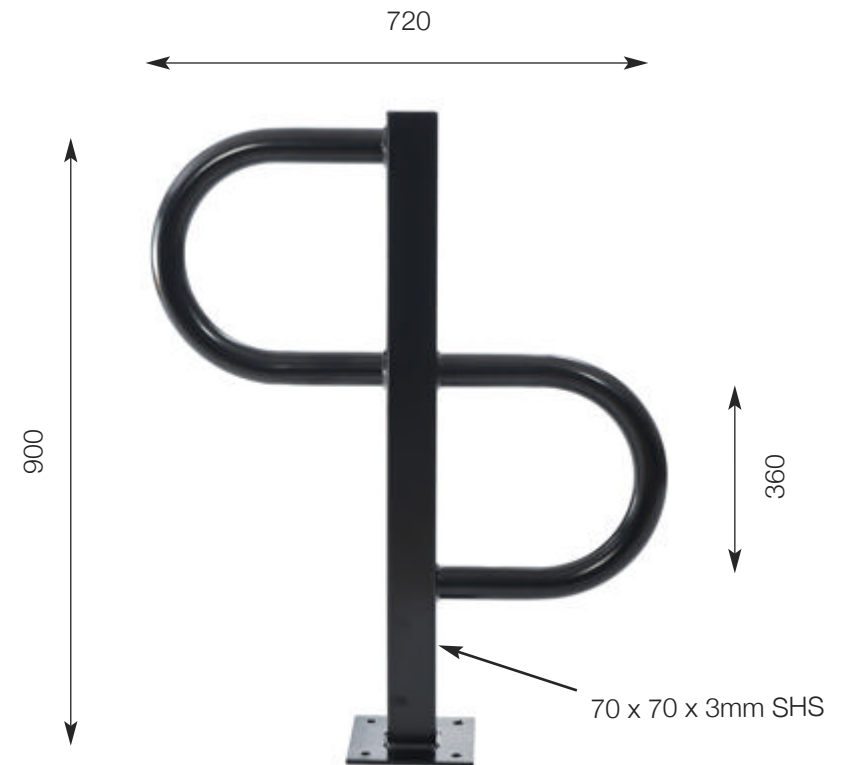


Double D

Works wonders....A sleek double curve design which works well in any environment.

Technical Specification

Height: 900mm
Width: 720mm
Weight: Steel: 12.0 kilo
Diameter: Steel: 48 x 3mm, Post: 70mm x 70mm x 3mm SHS
Fixing styles: : Submerged or Bolt down flange



ST26-BL Rilsan® black nylon

ST26-GA Galvanised

ST26-GR Galvanised + powder coat hybrid