

# STREET FURNISHINGS LTD

PRODUCT OPTIONS • COLOUR CHOICE • TECHNICAL DATA • DIMENSIONS



SEATING

TABLES

BOLLARDS

LITTER BINS

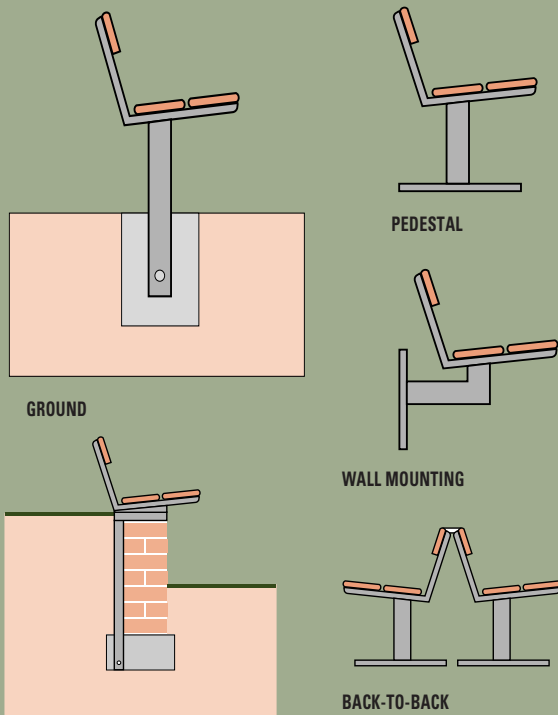
PLANTERS



## FIXING OPTIONS

The Orchard Street Furniture portfolio includes a variety of seating configurations and fixing options according to type and range design. The key fixing principles are illustrated here.

The RANGE SELECTOR table below provides a quick-reference summary of each item's fixing type(s) and slat type.



WALL-TOP

### RANGE SELECTOR seating/tables

<b>BRAMLEY</b> seat	4	4	4	4	4	4
<b>BRAMLEY</b> benches+/table/rotunda seat	4 †	4				4
<b>PACKHAM</b> seat/bench/table	4 (legs)	4				4
<b>ALLINGTON</b> seat/bench/table	(4 )	4				4
<b>RUSSET</b> seats/bench/table	4	4	4		4	4
<b>LAXTON</b> seat	4	4	4		4	4
<b>LAMBOURNE</b> seat	4 (legs)					4
<b>CONFERENCE</b> picnic table unit	4 #	(4 )				4
<b>CONFERENCE</b> picnic table steel legs	4 #	(4 )				4
<b>COXES</b> seat/bench/table	(4 )	4				4
<b>TRADITIONAL</b> seat/bench	4 (legs)#	(4 )				4
<b>TRADITIONAL</b> seat/bench roll arms	4 (legs)#	(4 )				4
<b>BRAEBURN</b> cast iron seat	4					4

### OTHER ITEMS

<b>BOLLARDS</b> timber/cast iron/steel		4				n/a n/a
<b>LITTER BINS</b>	4	4	4			4
<b>PLANTER</b>	4 °					4

*NOTE: Purpose-made units can also be arranged - please contact Orchard Street Furniture.*

#### KEY:

4 = standard (4 ) = special order  
 †not recommended for rotunda seating \*usually bolt fixing unless stated otherwise  
 #usually free-standing (non-bolted) ° free-sitting on hardwood bearers  
 +includes Serpentine, Crawley and Rotunda benches

# Contents

INTRODUCTION	2
PRODUCT PORTFOLIO	
<b>BRAMLEY</b> - seats/benches+/table	4/7
<b>PACKHAM</b> - seat/bench/table	8
<b>ALLINGTON</b> - seat/bench/table	9
<b>RUSSET</b> - seats/bench/table	10/11
<b>LAXTON</b> - seat	12
<b>LAMBOURNE</b> - seat	13
<b>CONFERENCE</b> - picnic table unit	14
<b>COXES</b> - seats/bench/table	15
<b>BRAEBURN</b> - cast iron seat	16
<b>TRADITIONAL</b> - seat/bench	17
<b>BOLLARDS</b> - timber/cast iron/steel	18
<b>LITTER BINS</b>	19
<b>PLANTER</b>	20
DATA SUMMARIES	
<b>TECHNICAL DATA/OPTIONS REVIEW</b>	21
<b>DIMENSIONS/AVAILABILITY SUMMARY</b>	22/23

# Bramley



A complete co-ordinated range of robust and attractive steel-framed, timber-slatted outdoor furniture for all public and private environments.

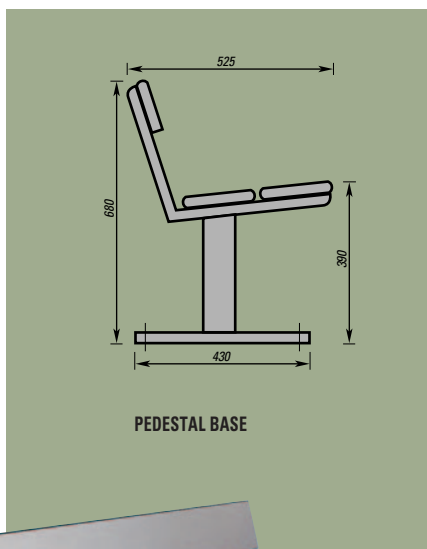
The range design is based on a matching slat width of 170mm, and offers the widest choice of fixing options. There is also a choice of timber and standard lengths. The steel frames are colour-coated (*see page 20 for colour selection*).

Non-standard sizes of all items can be made to order.

The Bramley seat is also available in an *all-steel* version for situations where there is potential vandalism; and in a *closer-slatted* version to Metropolitan Police specification.

## APPLICATIONS

- All exterior environments including
  - village or town centre schemes
  - street landscaping
  - parks, gardens and open spaces
  - pedestrian and shopping precincts
  - promenades
  - roadside margins



BRAMLEY ALL STEEL SEAT



BRAMLEY TABLE

## PRODUCT FILE

### Units

- Seat
- Bench
- Rotunda Seat
- Rotunda Bench
- Serpentine Bench
- Crawley Bench
- Table

### Materials

#### Frames

- Steel

#### Timber

- Iroko
- Cedar
- Oak
- Softwood

*All-steel* version of standard seat also available.

### Colours

#### Frames

- Plastic-coated
- Black (*standard colour*)
- 6 other colour options (*special order - see page 21*)

#### Timber

- Stain: Teak (*standard shade*)
- Other shades (*by arrangement - see page 21*)

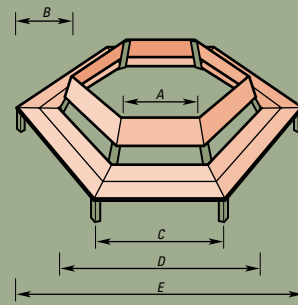
### Accessories

#### For standard seat

- Optional arm-rests
- Engraved plaques/carving (*see page 21*)



ROTUNDA SEAT

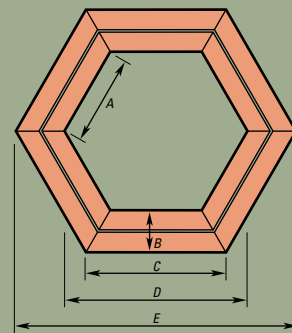


**ROTUNDA SEAT DIMENSIONS**

	A	B	C	D	E
ROTUNDA 1200	1200	624	1824	2420	3620
ROTUNDA 900	900	624	1530	1928	3060
ROTUNDA 600	600	624	1230	1320	2450



ROTUNDA BENCH

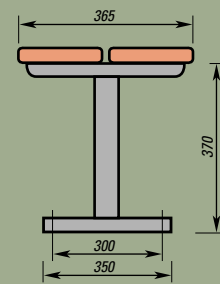


**ROTUNDA BENCH DIMENSIONS**

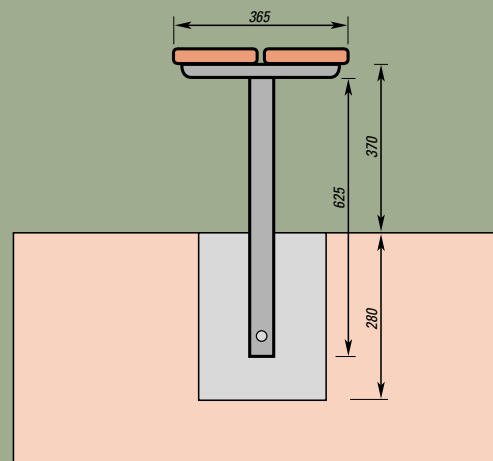
	A	B	C	D	E
ROTUNDA 1420	1420	365	1853	2840	3570
ROTUNDA 1120	1120	365	1530	2240	2970
ROTUNDA 820	820	365	1235	1640	2370



BRAMLEY BENCH ALL STEEL



BRAMLEY BENCH TIMBER



# Bramley

## KEY DIMENSIONS/FIXING OPTIONS

KEY DIMENSIONS	Seat	All-steel seat	Bench	All-steel Bench	Rotunda seat	Rotunda bench	Serpentine bench#	Crawley bench	Table
Standard lengths (mm)	1200 1800 2400	1800	1200 1800 2400	1800			(internal radius) 1500 2000	(end slats) 850	1200 1800 2400
Section lengths (mm)					600† 900† 1200†	820 <sup>u</sup> 1120 <sup>u</sup> 1420 <sup>u</sup>		(intermediate slats) 1000	1200 1800 2400
Slat width/thickness (mm)									
IROKO/OAK/CEDAR	170 x 28		170 x 28		170 x 28	170 x 28	170 x 28	170 x 28	
SOFTWOOD	170 x 42		170 x 42		170 x 42	170 x 42	170 x 42	170 x 42	(see NOTES)
ALL-STEEL		170 x 28							

### FIXING OPTIONS

PEDESTAL	4	4	4	4	1	1	4		4
GROUND	4	4	4	4	4	4	4	4	4
WALL	4		4	4					
WALL-TOP	4		4	4			4		
BACK-TO-BACK OPTION*	4								

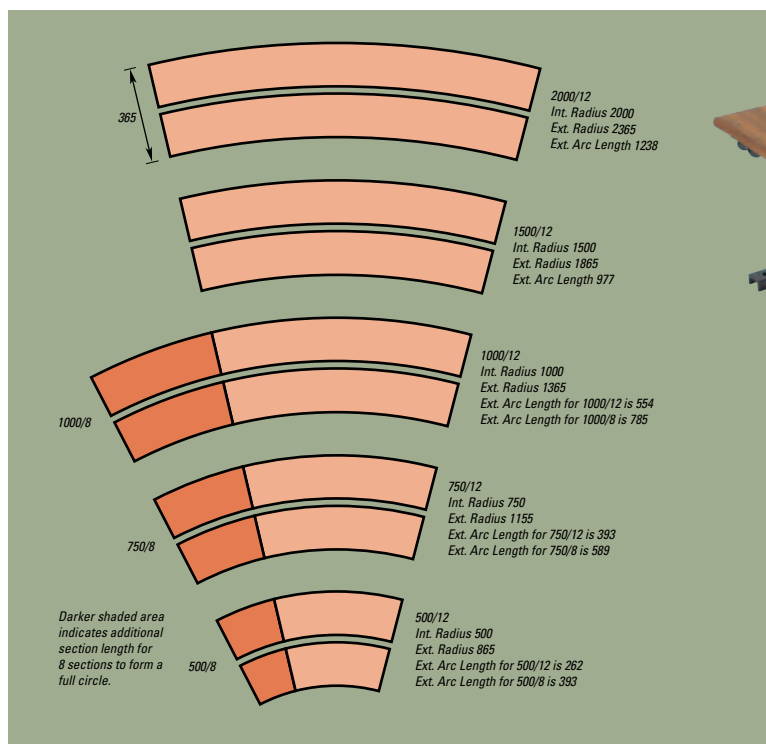
NOTES: 4 = standard (4) = special order 1 = dependent on site levels \* = special coupling bracket available on request † = backrest length

<sup>u</sup> = rear slat length Table slat widths: 170mm (central slat); 145mm (four outer slats) # = units with radii 1000/750/500mm available to order

Special sizes and fixings for all items can be made to order

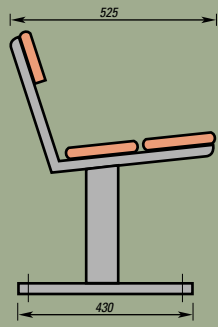
Bramley standard seats and standard benches can be constructed to butt and mitre at any angle (special order)

See Dimensions/Availability Summary page 22/23 for full dimensional data including overall height, width, frame/support widths etc.)

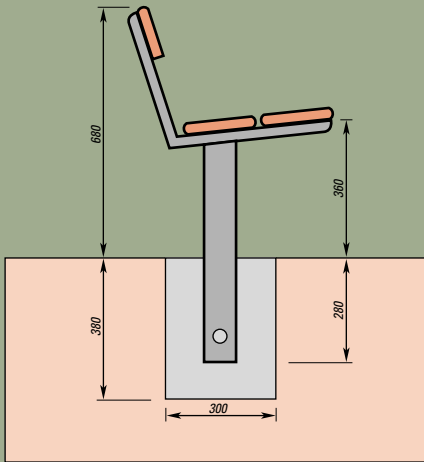


SERPENTINE BENCH

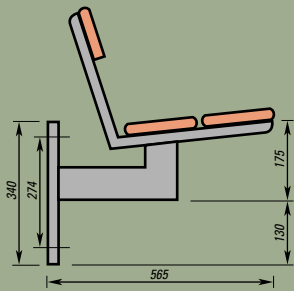




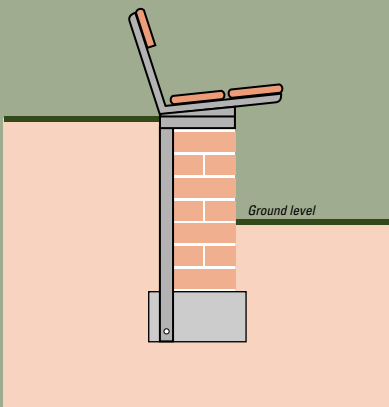
PEDESTAL BASE



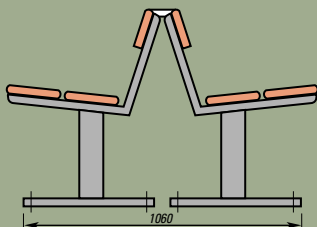
GROUND FIXING



WALL MOUNTING



WALL-TOP FIXING



BACK-TO-BACK



BRAMLEY SEAT (OPTIONAL ARMRESTS) TIMBER OR STEEL



CRAWLEY BENCH

# Packham

Robustly designed, steel-framed furniture range based on large section timber slats (110 x 95mm). Especially suited to areas with above average risk of vandalism. Front and rear seat timbers are each splayed towards central slat to create slightly dished seating surface for extra comfort and to aid water run-off. Choice of timber, standard lengths and fixing options. *All-timber* versions of the Packham seat and bench are also available.

## APPLICATIONS

- All exterior environments including
  - village or town centre schemes
  - street landscaping
  - parks, gardens and open spaces
  - pedestrian and shopping precincts
  - promenades
  - roadside margins

## PRODUCT FILE

### Units

- Seat
- Bench
- Table

### Materials

#### Frames

- Steel

#### Timber

- Iroko
- Cedar
- Softwood

### Colours

#### Frames

- Plastic-coated
- Black (standard colour)
- 6 other colour options (special order - see page 21)

#### Timber

- Stain: Teak (standard shade)
- Other shades (by arrangement - see page 21)

### Accessories

#### For standard seat

- Optional arm-rests
- Engraved plaques/carving (see page 21)

## KEY DIMENSIONS/ FIXING OPTIONS

KEY DIMENSIONS	Seat $\cup$	Bench $\cup$	Table
Standard lengths (mm)	1800 2400	1800 2400	1800 2400
Slat width/thickness (mm)			
Seat (outer)	110 x 95	110 x 95	(see NOTES)
Seat (centre)	110 x 86	110 x 86	
Backrest	195 x 45		
<b>FIXING OPTIONS</b>			
PEDESTAL	4 $\cup$	4 $\cup$	(4)
GROUND	4 $\cup$	4 $\cup$	4

NOTES: 4 = standard (4) = special order Table slat width: 160mm  
 $\cup$  = also all timber versions available (special order)

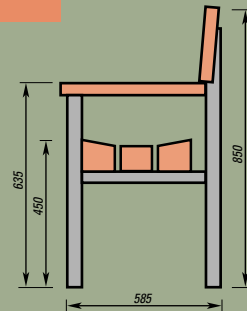
*Special sizes and fixings for all items can be made to order*

*Packham seat and bench can be constructed to butt and mitre at any angle (special order)*

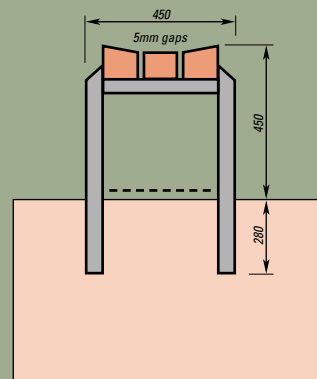
*See Dimensions/Availability Summary page 22/23 for full dimensional data including overall height, width, frame/support widths etc.)*



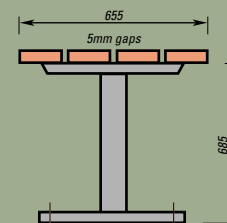
PACKHAM SEAT (WITH ARMRESTS)



PACKHAM BENCH



PACKHAM TABLE



# Allington

All-timber high quality furniture range combining a simple, natural appearance with the strength of construction to deter and resist vandalism. Slightly raked seat, and dished bench slats, give extra comfort and aid water run-off. Choice of timber and standard lengths. Designed for ground-fixing, but pedestal version can be ordered.

## APPLICATIONS

- All exterior environments including
  - village or town centre schemes
  - street landscaping
  - parks, gardens and open spaces
  - pedestrian and shopping precincts
  - promenades
  - roadside margins
  - country parks

## PRODUCT FILE

### Units

- Seat
- Bench
- Table

### Materials

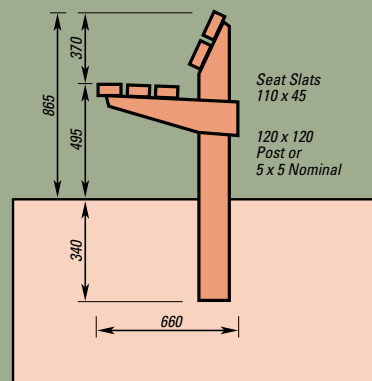
- Iroko
- Cedar
- Softwood
- Oak

### Colours

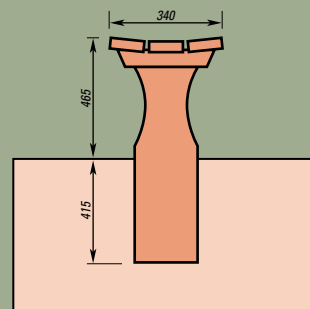
- Stain: Teak  
(standard shade)
- Other shades (by arrangement  
- see page 21)

### Accessories

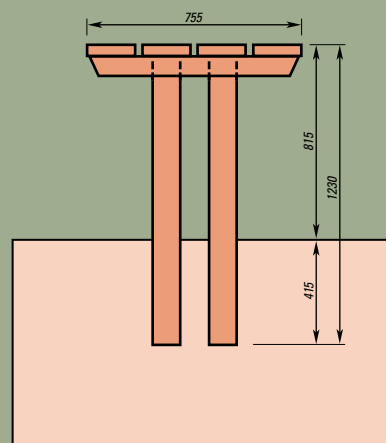
- For standard seat
  - Optional arm-rests
  - Engraved plaques/carving  
(see page 21)



ALLINGTON SEAT



ALLINGTON BENCH



ALLINGTON TABLE

## KEY DIMENSIONS / FIXING OPTIONS

KEY DIMENSIONS	Seat	Bench	Table
Standard lengths (mm)	1200	1200	1200
	1800	1800	1800
	2400	2400	
Slat width/thickness (mm)	110 x 45	110 x 45	(see NOTES)
FIXING OPTIONS			
PEDESTAL	( 4 )	( 4 )	( 4 )
GROUND	4	4	4

NOTES: 4 = standard ( 4 ) = special order

Table slat width: 185mm

Special sizes for all items can be made to order

See Dimensions/Availability Summary page 22/23 for full dimensional data including overall height, width, frame/support widths etc.)

# Russet

Steel framed, multi-slatted timber seat and diagonally-slatted square lowline table. Choice of timber and fixing options.

The seat, which is particularly comfortable, is sturdily constructed with backrest and seat formed in a single curving section. Two anti-vandal options are also available: the **Russet Leicester** with front and top slats reinforced by mild steel bars; and an *all-steel* model.

## APPLICATIONS

- All exterior environments including
  - village or town centre schemes
  - street landscaping
  - parks, gardens and open spaces
  - pedestrian and shopping precincts
  - promenades
  - roadside margins

## PRODUCT FILE

### Units

- Seat
- Bench
- Lowline table

### Materials

#### Frames

- Steel

#### Timber

- Iroko
- Cedar
- Oak
- Softwood

### Colours

#### Frames

- Plastic-coated
- Black (standard colour)
- 6 other colour options (special order - see page 21)

## KEY DIMENSIONS/FIXING OPTIONS

KEY DIMENSIONS	Standard seat	Leicester seat	All-steel seat	Bench	Table
Standard lengths (mm)	1200 1800 2400	1200 1800 2400	1800	1200 1800 2400	600 x 600
Slat width/thickness (mm)					(see NOTES)
IROKO/OAK/CEDAR	50 x 28	50 x 28		50 x 28	
SOFTWOOD	65 x 35	65 x 35 (75 wide top and front slat)		65 x 35	
ALL-STEEL			50 x 28		
FIXING OPTIONS					
PEDESTAL	4	4	4	(4 )	4
GROUND	4	4	4	(4 )	4
WALL	4	4		(4 )	

NOTES: 4 = standard (4 ) = special order Special sizes and fixings for all items can be made to order

See Dimensions/Availability Summary page 22/234 for full dimensional data including overall height, width, frame/support widths etc.)

### Timber

- Stain: Teak (standard shade)
- Other shades (by arrangement - see page 21)

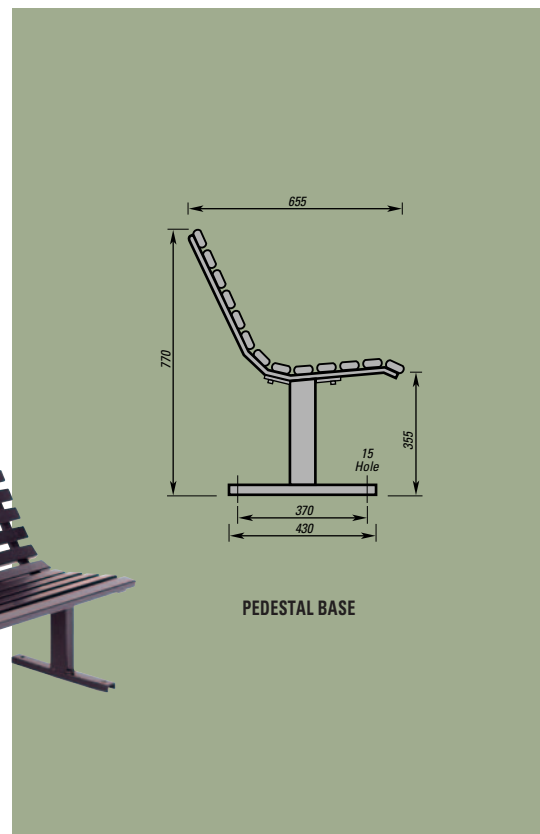
### Accessories

#### For standard seat

- Optional arm-rests
- Engraved plaques/carving (see page 21)



RUSSET ALL STEEL SEAT





RUSSET SEAT IN HARDWOOD  
(OPTIONAL ARMRESTS)



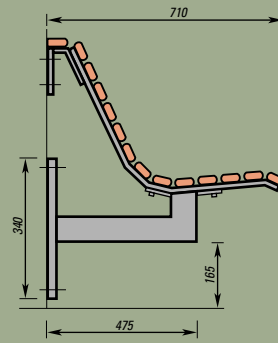
RUSSET SEAT IN SOFTWOOD  
(OPTIONAL ARMRESTS)



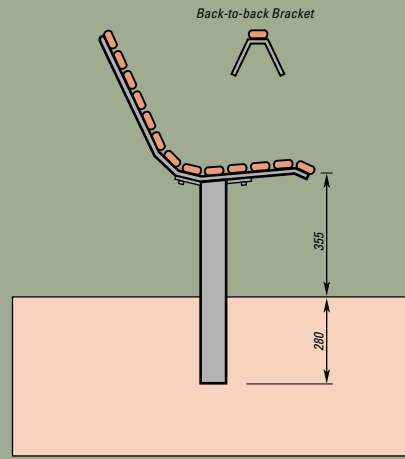
RUSSET LEICESTER SEAT



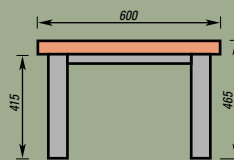
RUSSET LOWLINE TABLE



WALL MOUNTING



GROUND FIXING



# Laxton

Alternative to the standard Bramley seat, offering a more timbered appearance with both backrest and seat having three slats. Choice of timber, standard lengths and fixing options. Co-ordinates with the Bramley table if required.

## APPLICATIONS

- All exterior environments including
  - village or town centre schemes
  - street landscaping
  - parks, gardens and open spaces
  - pedestrian and shopping precincts
  - promenades
  - roadside margins

## PRODUCT FILE

### Units

- Seat

### Materials

Frame

- Steel

Timber

- Iroko
- Cedar
- Oak
- Softwood

### Colours

Frame

- Plastic-coated
- Black (standard colour)
- 6 other colour options (special order - see page 21)

Timber

- Stain: Teak (standard shade)
- Other shades (by arrangement - see page 21)

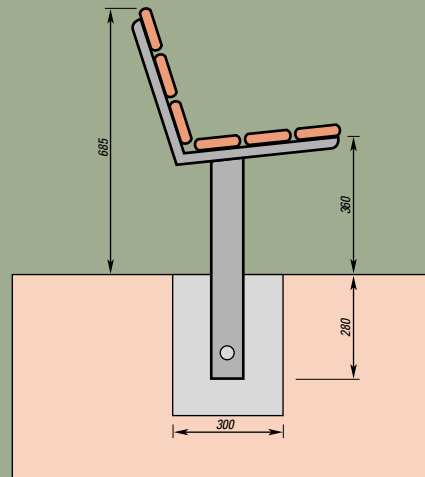
### Accessories

For standard seat

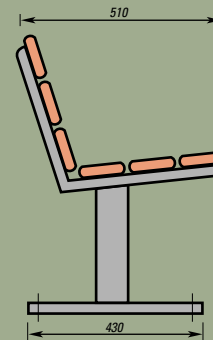
- Optional arm-rests
- Engraved plaques/carving (see page 21)



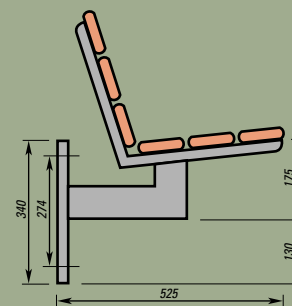
LAXTON SEAT (OPTIONAL ARMRESTS)



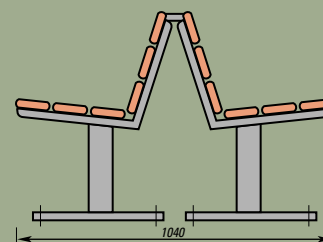
GROUND FIXING



PEDESTAL BASE



WALL MOUNTING



BACK-TO-BACK

## KEY DIMENSIONS/ FIXING OPTIONS

KEY DIMENSIONS	Laxton seat	Lambourne seat
Standard lengths (mm)	1200	
	1800	1800
	2400	2400
Slat width/thickness (mm)		
	95 x 28	50 x 28
	95 x 42	

### FIXING OPTIONS

FIXING OPTIONS	Laxton seat	Lambourne seat
PEDESTAL	4	4
GROUND	4	
WALL	4	
BACK-TO-BACK OPTION*	4	

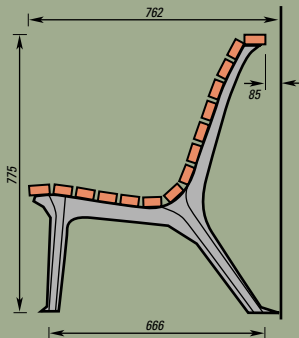
NOTES: 4 = standard (4) = special order

\* = special coupling bracket available on request

Special sizes and (for Laxton seat only) fixings for both items can be made to order

Laxton seat and bench can be constructed to butt and mitre at any angle (special order)

See Dimensions/Availability Summary page 22/23 for full dimensional data including overall height, width, frame/support widths etc.)



LAMBOURNE SEAT

# Lambourne

Robust, multi-slatted timber, single-section curved seat on heavy cast iron frame. Choice of timber and standard lengths.

## PRODUCT FILE

### Unit

■ Seat

### Materials

Frame

■ Cast iron

Timber

■ Iroko

■ Cedar

■ Oak

■ Softwood

### Colours

Frame

■ Black (standard colour)

Timber

■ Stain: Teak

(standard shade)

■ Other shades (by arrangement - see page 21)

## APPLICATIONS

■ All exterior environments

including

- village or town centre schemes
- street landscaping
- parks, gardens and open spaces
- pedestrian and shopping precincts
- promenades
- roadside margins

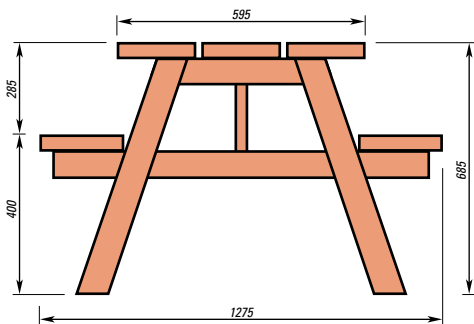


# Conference

Combined table and seating unit constructed from all timber or timber slats with steel frame, ideal for public house or restaurant gardens, picnic areas and outdoor environments. Choice of timber and standard lengths. The table can be drilled for a parasol on request. The larger size is braced for extra strength.

## APPLICATIONS

- All exterior environments especially
  - picnic areas
  - restaurant and public house gardens
  - country parks



## PRODUCT FILE

### Unit

- Combined table and benches

### Materials

- Iroko
- Cedar
- Softwood
- Oak

### Colours

- Stain: Teak (standard shade)
- Other shades (by arrangement - see page 21)



CONFERENCE PICNIC SET



CONFERENCE PICNIC SET WITH STEEL FRAME

## KEY DIMENSIONS / FIXING OPTIONS

KEY DIMENSIONS	Conference picnic table and bench unit	Conference picnic table and bench unit with steel frame	Traditional seat	Traditional bench
Standard lengths (mm)	1200 1800	1200 1800	1800	1800
Slat width/thickness (mm)	195 x 42	195 x 42	50 x 22 (seat slats)	50 x 22
<b>FIXING OPTIONS</b>				
FREE-STANDING	4	4	4	4
GROUND	(4)†	(4)†	(4)†	(4)†

NOTES: 4 = standard (4) = special order

† = additional 225mm leg lengths on request for ground fixing where environment requires this option

Special sizes for all items can be made to order

Traditional seat can be constructed to butt and mitre at any angle (special order)

See Dimensions/Availability Summary page 22/23 for full dimensional data including overall height, width, frame/support widths etc.)

# Coxes

All-timber high quality furniture range combining a simple, natural appearance with the strength of construction to deter and resist vandalism.

Slightly raked seat, and dished bench slats, give extra comfort and aid water run-off. Choice of timber and standard lengths. Designed for ground-fixing, but pedestal version can be ordered.

## APPLICATIONS

- All exterior environments including
  - village or town centre schemes
  - street landscaping
  - parks, gardens and open spaces
  - pedestrian and shopping precincts
  - promenades
  - roadside margins
  - country parks

## PRODUCT FILE

### Units

- Seat
- Bench
- Table

### Materials

- Iroko
- Cedar
- Softwood
- Oak

### Colours

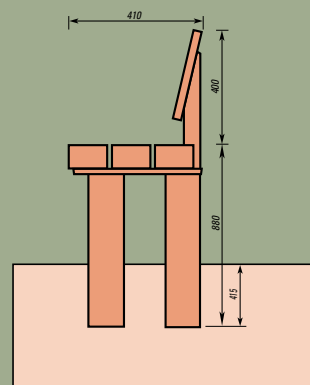
- Stain: Teak  
(standard shade)
- Other shades (by arrangement  
- see page 21)

### Accessories

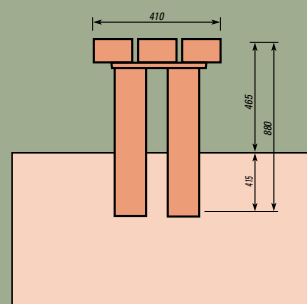
- For standard seat
- Engraved plaques/carving  
(see page 21)



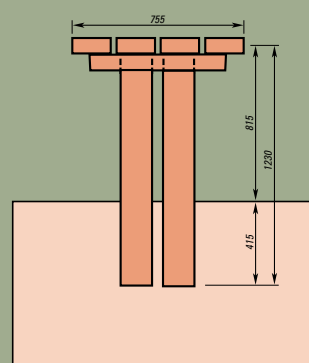
COXES SEAT



COXES BENCH



COXES TABLE



## KEY DIMENSIONS/ FIXING OPTIONS

KEY DIMENSIONS	Seat	Bench	Table
Standard lengths (mm)	1200	1200	1200
	1800	1800	1800
	2400	2400	
Slat width/thickness (mm)	145 x 95	145 x 95	(see NOTES)
<b>FIXING OPTIONS</b>			
PEDESTAL	(4)	(4)	(4)
GROUND	4	4	4

NOTES: 4 = standard (4) = special order  
Table slat width: 185mm  
Special sizes for all items can be made to order

See Dimensions/Availability Summary page 22/23 for full dimensional data including overall height, width, frame/support widths etc.)

# Braeburn

Very robust, simply-designed slatted hardwood seat based on heavy-duty cast iron end-frames. Choice of sizes. The fixing screws are drilled out for extra protection against vandalism.

## APPLICATIONS

- All exterior environments including
  - village or town centre schemes
  - parks, gardens and open spaces
  - pedestrian and shopping precincts
  - promenades
  - roadside margins

## PRODUCT FILE

### Unit

- Seat

### Materials

*End-frames*

- Grade 180 heavy duty cast iron

*Timber*

- Iroko
- Softwood
- Oak

### Colours

*End-frames*

- Black hammerite finish
- Other colours by request

*Timber*

- Stain: Teak (standard shade)
- Other shades (by arrangement - see page 21)

### Accessories

- Optional arm-rests

## KEY DIMENSIONS/ FIXING OPTIONS

KEY DIMENSIONS	Cast iron seat
Standard lengths (mm)	1240 1840
Slat width/thickness (mm)	65 x 35
FIXING OPTION	
PEDESTAL†	4

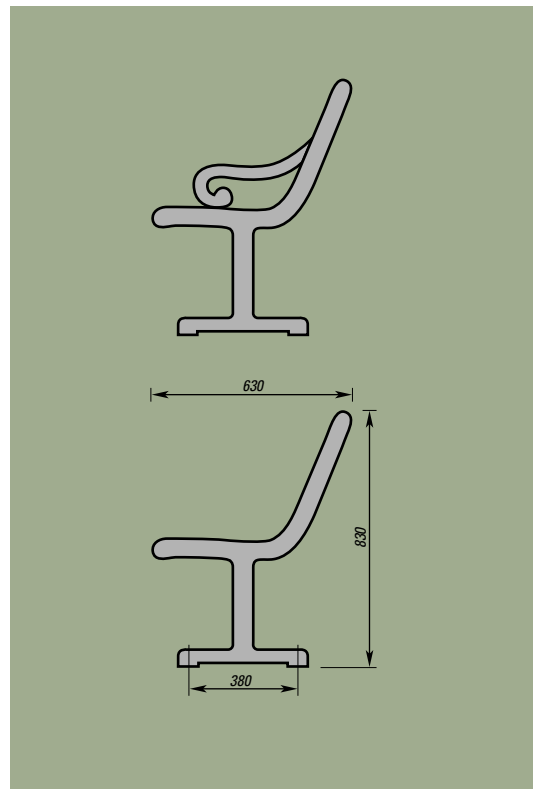
NOTES: 4 = standard (4) = special order  
† = using type G18/M1240L rawlbolts (supplied on request)

*Special sizes can be made to order*

*See Dimensions/Availability Summary page 22/23 for full dimensional data including overall height, width, frame/support widths etc.)*



BRAEBURN SEAT



# Traditionals

Elegant, traditionally-styled, heavy duty hardwood seats for all public areas including commemorative locations. Choose between the traditional and the traditional roll arms. The high-quality seasoned timber has been carefully selected to be free of knots, shakes and other blemishes, and graded for stress and strength. Precision-constructed with individual hand- and machine-shaped components.

## APPLICATIONS

- All exterior environments *including*
  - parks
  - memorial gardens and other commemorative locations
  - pedestrian and shopping precincts
  - promenades

## PRODUCT FILE

### Unit

- Seat
- Bench

### Materials

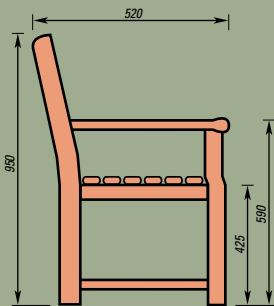
- Iroko
- Oak
- Softwood

### Colours

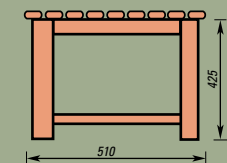
- Stain: Teak  
*(standard shade)*
- Other shades *(by arrangement - see page 21)*

### Standard Size

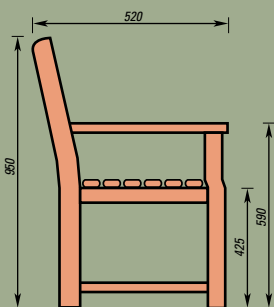
- 1800mm - 2400mm



TRADITIONAL SEAT  
WITH ROLL ARMS



TRADITIONAL BENCH



TRADITIONAL SEAT  
WITH FLAT ARMS



TRADITIONAL SEAT  
OPTION 1: FLAT BACK  
WITH EITHER FLAT OR ROLL ARMS



TRADITIONAL BENCH



TRADITIONAL SEAT  
OPTION 2: ARCH BACK  
WITH EITHER FLAT OR ROLL ARMS

# Bollards

A comprehensive selection of bollards for vehicle exclusion or route delineation. A range of shapes and styles to suit individual hard landscaped environments:

Bollards can be made to specified sizes, and reflectors can be supplied as required

## APPLICATIONS

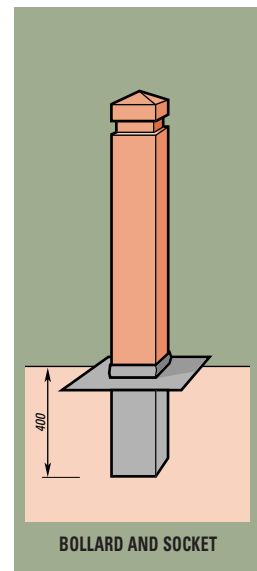
All exterior environments

including

- town centre schemes/street landscaping
- park entrances
- promenades
- pedestrian and shopping precincts

## PRODUCT FILE

- High strength hardwood
- Oak
- Larch softwood



## Colours

Timber

- Stain: Teak (standard shade)
- Other shades (by arrangement - see page 21)

## Accessories

For timber versions

- Ground socket fixing (with padlock): provides for removeable bollards. Lift-up cover can accept staple for

padlock when bollard is in position, or be closed flush with the ground for pedestrian safety when bollard is removed

# Litter Bins

A comprehensive selection of timber and steel bins - to complement individual hard land-scaped environments. Each has a lift-out galvanised steel lining, drilled for drainage. Timber-slatted or steel angle finishes.

## APPLICATIONS

- All exterior environments including
  - village or town centre schemes
  - street landscaping
  - park, gardens and open spaces
  - pedestrian and shopping precincts
  - promenades
  - roadside margins

## PRODUCT FILE

### Types

- **Tydean:** round, tapered
- **Ellison:** cylindrical
- **Ribston:** rectangular, wall-mounted
- **Woolbrook:** square, large capacity
- **Barrington:** modified Woolbrook, with round top housing for lockable lid (either swing-lid or hinged-lid)
- **Macintyre:** new cylindrical, all wood
- **Jefferson:** new square, large capacity, all wood
- **Selby:** new round, large capacity

### Materials

#### Frames

- Steel

#### Slats

- Iroko
- Cedar
- Oak
- Softwood
- Plastic-coated steel angle irons

### Colours

#### Steel frames

- Black (*standard colour*)
- 6 other colour options (*special order - see page 21*)

#### Timber

- Stain: Teak (*standard shade*)
- Other shades (*by arrangement - see page 21*)

#### Steel angle irons

- Choice of 7 colours (*as listed on page 21*)

### Accessories

- Optional padlock to lock liner to frame if required
- Matching painted galvanised liners (normally supplied unpainted)



ELLISON TIMBER SLATS



MACINTYRE TIMBER ALL WOOD



JEFFERSON TIMBER ALL WOOD



WOOLBROOK TIMBER SLATS



TYDEMAN TIMBER SLATS



RIBSTON TIMBER SLATS



BARRINGTON HINGED LID / SWING LID

# Planter

## APPLICATIONS

- All exterior environments including
  - village or town centre schemes
  - street landscaping

## PRODUCT FILE

(Sudeley and Venetian planters)

### Materials

Tongue-and-grooved timber, 50 mm

- Iroko
- Cedar
- Softwood
- Softwood
- Oak

### Colours

Timber

- Stain: Teak (standard shade)
- Other shades (by arrangement see page 21)



SUDELEY PLANTER



VENETIAN PLANTER

## KEY DIMENSIONS/FIXING OPTIONS

KEY DIMENSIONS	Litter bins							Planters		
	Tydemán	Ellison	Ribston	Woolbrook	Barrington	MacIntyre	Jefferson	Selby	Sudeley	Venetian
Overall height (mm)	1085	735	595 (unit only)	740	1015	760	760	720	760	760
Section type	Round (tapered)	Round	Rectangular	Square	Square	Round	Square	Round	Square	Rectangle
Section dimensions (mm)	490-430 (external diam.)	530 (external diam.)	595 x 320	530 x 530	530 x 530	580 x 580	610 x 610	530	830 x 830	830 x 1660
Capacity (litres)	79	111	119	158	158	111	158	111	n/a	n/a
<b>FIXING OPTIONS</b>										
PEDESTAL	(4) †	4 †		4 †	4 †	4	4	4	see NOTES	see NOTES
GROUND	4	(4)		(4)	(4)	4	4	4		
WALL			4 †							

NOTES: 4 = standard (4) = special order

† = Bolt fixing using 4 x D20/M180L rawlbolts (only 3 bolts required for Ellison bin) see page 21 for bolt dimensions data

Sudeley planter is mounted on hardwood bearers for pallet type lifting by fork-lift truck if required

Special sizes and other shapes of Sudeley planter can be made to order

# Street Furniture: Technical data

The following information is applicable to the full range of Street Furniture except where otherwise stated:

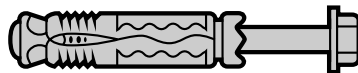
## ■ Composition

**Timber** - Carefully selected and graded Iroko, Oak or softwood. Sourced entirely from commercially-managed, recognised and sustainable resources. Also: Larch wood option for timber bollards

**Cast iron** - (Lambourne and Braeburn seats; Crispin/Comice and Gala Bollards): Grade 180 material as standard, treated with red oxide primer and hammerite finish

**Steel** - (Bramley and Russet all-steel seats/other items' frames): Box-section steel tube - minimum gauge: 3mm. In areas subject to extreme conditions, steel components may be galvanised for added protection against corrosion. This must be done prior to application of standard plastic coating - and so must be requested at time of order

Recommended rawlbolts dimensions are as follows:



Rawlbolt ref. no.	D20/M810L	G18/M1240L	G25/M1260L
Bolt diameter (mm)	8	12	12
Drill sizes (mm)	14	20	20
Bolt length under head (mm)	60	115	125
Shield diameter (mm)	14	20	20
Maximum fixing thickness (mm)	10	40	60
Minimum bolt-hole depth (mm)	55	85	85

NOTE: In the event of future removal (temporary or permanent) of bolt-fixed furniture, the rawlbolt shield remains in the ground without leaving any projection. G25 bolts may be used to give extra depth of shield when fixing through paviers or slabs.

## ■ Manufacture

Robustly constructed to consistently high standards for long service life. All steel seats are all-welded for added strength and protection against wilful dismantling

## ■ Fixing bolts

(See *Dimensions/Availability summary for recommendations/quantities for each item to be fixed*)

## ■ Maintenance

Street Furniture is designed for all-weather exposure requiring only minimal maintenance. An annual single coat of varnish or stain is recommended to maintain the quality of timber items/components



# Options review

## ■ Timber

Most timber-constructed Street Furniture offers a choice of timber species. (See *individual product pages and Dimensions/ Availability Summary page 22*).

## ■ Colours/shades

### For Timber

Standard treatment for timber is Jotun Trebitt Teak. However, other colours, from the Jotun Demidekk (opaque) or Oxan WP (translucent) ranges, may be specified

### For Steel

Black plastic coating is the standard colour for all framework. Other available colours include:

- Gun Metal Grey
- Chocolate Brown
- Holly Green
- Royal Blue
- Post Office Red
- White

All these colours are offered as standard for **Bramley** and **Russet all-steel** seats, and for all plastic-coated steel litter bins

## ■ Fixing options

Most products are designed to be fixed into position for security by one or more methods as detailed on product pages. However, for any item normally intended to be free-standing, special fixing arrangements can also be made if necessary. For *fixing options summary, see page 3*

## ■ Special order/customer specification facilities

Street Furniture can be manufactured to order in special sizes/dimensions, finishes and colours. **Engraved commemorative plaques** (anodised aluminium or anodised bronze - with black lettering; or brass) can be arranged for fitting to Orchard furniture. Plaques are recess-fitted into the timber. A wider slat is fitted if necessary at no extra charge. **Carving** is available on request

# Dimensions/Availability Summary

RANGE DESIGN		PACKHAM			ALLINGTON		
ITEM	SEAT	BENCH	TIMBER OR STEEL	TABLE	SEAT	BENCH	TABLE
CONSTRUCTION	ALL-TIMBER	( 4 )	( )		4	4	4
	ALL-STEEL						
	TIMBER/STEEL FRAME	4	4	4			
	TIMBER/CAST IRON FRAME						
DIMENSIONS	LENGTH: Overall	(A) 1800 (B) 2400	(A) 1800 (B) 2400	(A) 1800 (B) 2400	(A) 1200 (B) 1800 (C) 2400	(A) 1200 (B) 1800 (C) 2400	(A) 1200 (B) 1800
	LENGTH: 2-leg frame centres	1560	1560	(A)1560	(A) 736 (B) 1336	(A) 820 (B) 1420	(A) 660 (B) 1260
	LENGTH: 3-leg frame centres	1080	1080	(B) 1080	(C) 968	(C) 1010	
	HEIGHT: Overall	850	450	730 (728 softwood)	865	465	815
	HEIGHT: Seat level (front edge)	450	450	n/a	495	465	n/a
	HEIGHT: Installation depth	280	280	280	340	415	415
	WIDTH: Overall	585	450	655	430	340	755
	SLAT WIDTH	95 (seat)/195 (back)	95	160	110	110	185
	LEG SECTION	75 x 50	75 x 50	75 x 50	120 x 120	210 x 70	120 x 120
	FIXING	OPTIONS: Pedestal (or legs)	4	4	4	( 4 )	( 4 )
OPTIONS: Ground		4	4	4	4	4	4
OPTIONS: Wall							
OPTIONS: Wall-top							
OPTIONS: Back-to-back							
BOLTS: Type		D20/M810L	D20/M810L	D20/M810L	G18/M1240L	G18/M1240L	G18/M1240L
BOLTS: Number		(A) 4/(B) 6	(A) 4/(B) 6	(A) 4/(B) 6	4	4	4

RANGE DESIGN		COXES			LAXTON	LAMBOURNE	CONFERENCE	CONFERENCE
ITEM	SEAT	BENCH	TABLE	SEAT	SEAT	PICNIC UNIT	PICNIC UNIT WITH STEEL FRAME	
CONSTRUCTION	ALL-TIMBER	( 4 )	( )			4	4	
	ALL-STEEL							
	TIMBER/STEEL FRAME	4	4	4	4			
	TIMBER/CAST IRON FRAME					4		
DIMENSIONS	LENGTH: Overall	(A) 1800 (B) 2400	(A) 1800 (B) 2400	(A) 1800 (B) 2400	(A) 1200 (B) 1800 (C) 2400	(A) 1800 (B) 2400	(A) 1200 (B) 1800	(A) 1200 (B) 1800
	LENGTH: 2-leg frame centres	1560	1560	(A)1560	(A) 900 (B) 1500	(A) 1560	(A) no braces	(A) no braces
	LENGTH: 3-leg frame centres	1080	1080	(B) 1080	(B) 750/(C) 1000	(B) 1075	(B) with braces	(B) with braces
	HEIGHT: Overall	850	450	730 (728 softwood)	685	775	685	685
	HEIGHT: Seat level (front edge)	450	450	n/a	360	385	400	400
	HEIGHT: Installation depth	340	415	415	280	n/a	225	225
	WIDTH: Overall	480	480	680	510	762	1275 (table 595)	1275 (table 595)
	SLAT WIDTH	145 (seat)/195 (back)	145	680	95	50	195	195
	LEG SECTION	145 x 145	145 x 145	145 x 145	75 x 50	(tapered)	95 x 45	95 x 45
	FIXING	OPTIONS: Pedestal (or legs)	4	4	4	4	4	4 †
OPTIONS: Ground		4	4	4	4		( 4 )	( 4 )
OPTIONS: Wall					4			
OPTIONS: Wall-top								
OPTIONS: Back-to-back					4 *			
BOLTS: Type		D20/M810L	D20/M810L	D20/M810L	G18/M1240L	D20/M810L	n/a	n/a
BOLTS: Number		(A) 4/(B) 6	(A) 4/(B) 6	(A) 4/(B) 6	(A and B) 4/(C) 6	(A) 4/(B) 6	n/a	n/a

BRAMLEY								
SEAT	ALL-STEEL SEAT	BENCH	TIMBER OR STEEL	ROTUNDA SEAT	ROTUNDA BENCH	SERPENTINE	CRAWLEY	TABLE
	4							
4		4		4		4		4
(A) 1200 (B) 1800 (C) 2400	1800	(A) 1200 (B) 1800 (C) 2400	(section) (A) 600/(B) 900/ (C) 1200	(section) (A) 820/(B) 1120 (C) 1420	(internal radius#) (A) 1500 (B) 2000	(modular lengths) 1000		(A) 1200 (B) 1800 (C) 2400
(A) 900 (B) 1500 (C) 1000	750	(A) 900 (B) 1500 (C) 1000	(6 frames) (A) 1230/(B) 1530/ (C) 1824	(6 frames) (A) 820/(B) 1120 (12 frames) (C) 1420	(modular multi-frame) varies with arc lengths	(modular multi-frame) 850 (end slats) 1000 (intermediate slats)		1500 1100 1000
680	680	398 (412 softwood)	680	398 (412 softwood)	398 (412 softwood)	988 (1002 softwood)	743 (757 softwood)	
382 (402 softwood)	390	398 (412 softwood)	382 (402 softwood)	398 (412 softwood)	398 (412 softwood)	988 (1002 softwood)	n/a	
280	280	280	280	280	280	280	280	280
525	525	365	525	365	365	170	766	
170	170	170	170	170	170	170	145 (170 central slat)	
75 x 50	75 x 50	75 x 509	75 x 50	75 x 50	75 x 50	50 x 25	75 x 50	
4	4	4	1	1	4		4	
4	4	4	4	4	4	4	4	
4		4						
4		4			4			
4 *								
G18/M1240L	G18/M1240L	G18/M1240L	(G18/M1240L)	(G18/M1240L)	G18/M1240L	n/a	G18/M1240L	
(A and B) 4/(C) 6	4	(A and B) 4/(C) 6	(12)	(12)	as required	n/a	4	

TRADITIONAL			BRAEBURN		RUSSET			
SEAT WITH FLAT ARMS	SEAT WITH ROLL ARMS	BENCH	CAST IRON SEAT	STANDARD SEAT	LEICESTER SEAT	ALL-STEEL SEAT	BENCH	TABLE
4	4	4						
						4		
				4	4			4
			4					
1800	1800	1800	(A) 1240 (B) 1840	(A) 1200 (B) 1800 (C) 2400	(A) 1200 (B) 1800 (C) 2400	1800	(A) 1200 (B) 1800 (C) 2400	600 x 600
(at corners)	(at corners)	(at corners)	(A) 1175 (B) 1775	(A) 950 (B) 1550	(A) 950 (B) 1550		(A) 950 (B) 1550	(at corners)
				(B) ∩ 775/(C) 1075	(B) ∩ 775/(C) 1075	775	(B) ∩ 775/(C) 1075	
950	950	425	830	770	770	770	355	465
590	590	590	460	355	355	385	355	n/a
225	225	225	n/a	280	280	280	280	280
520	520	510	630	655 (wall 710)	655 (wall 710)	655	480	600
50	50	50	65	50 (softwood)	50 (front and back)	50	50	50
65 x 60	65 x 60	65 x 60	70 x 65	75 x 50	75 x 50	75 x 50	75 x 50	75 x 50
4 †	4 †	4 †	4	4	4	4	(4 )	4
(4 )	(4 )	(4 )		4	4	4	(4 )	4
				4	4		(4 )	
				4 *	4 *			
n/a	n/a	n/a	G18/M1240L	G18/M1240L	G18/M1240L	G18/M1240L	G18/M1240L	D20/M810L
n/a	n/a	n/a	4	(A and B) 4/(C) 6	(A and B) 4/(C) 6	4	(A and B) 4/(C) 6	4

**KEY**

✓ = standard

(4 ) = special order

1 = dependent on site levels

† = normally free-standing

\* = special coupling bracket ; available on request

# = Bramley Serpentine bench: radii 1000/750/500mm ; available to order

∩ = Russet seats/bench: 1800mm wall-mounted version

§ = Laxton seat: 1500mm wall-mounted version

Special sizes for all items can be made to order. All measurements are in mm.

## STREET FURNITURE: SUMMARY

### SEATS, BENCHES AND TABLES

#### APPLICATIONS

- Village or town centre schemes
- Street landscaping/roadside margins
- Parks, gardens and open spaces
- Pedestrian precincts/promenades

#### FEATURES

- Wide choice and design flexibility
- High quality specification: robustly constructed
- Visually attractive: competitively-priced

#### OPTIONS\*

- Range includes cast iron-framed and all-steel options
- Choice of fixing options (pedestal/ground/wall/wall-top)\*
- Choice of size and timber\*
- Colours/shade options if required\*
- Special sizes/finishes available to order

### BOLLARDS/LITTER BINS/PLANTER

- Wide choice to suit individual environments
- (Bollards) Timber, cast iron and options
- (Litter bins) Timber or steel-angled slatted options

*\*choice varies between individual products - see inside*



# STREET FURNISHINGS LTD

## Contact Us

Here at Street Furnishings, we have become the trusted supplier of many Councils, Contractors, Builders Merchants for over 30 years. Through our knowledge of products built up over time. We are proud in saying “There isn’t much that we can’t supply!”

Phone: 01189 404 717

Web: <https://streetfurnishings.co.uk/>

Email: [mail@streetfurnishings.co.uk](mailto:mail@streetfurnishings.co.uk)