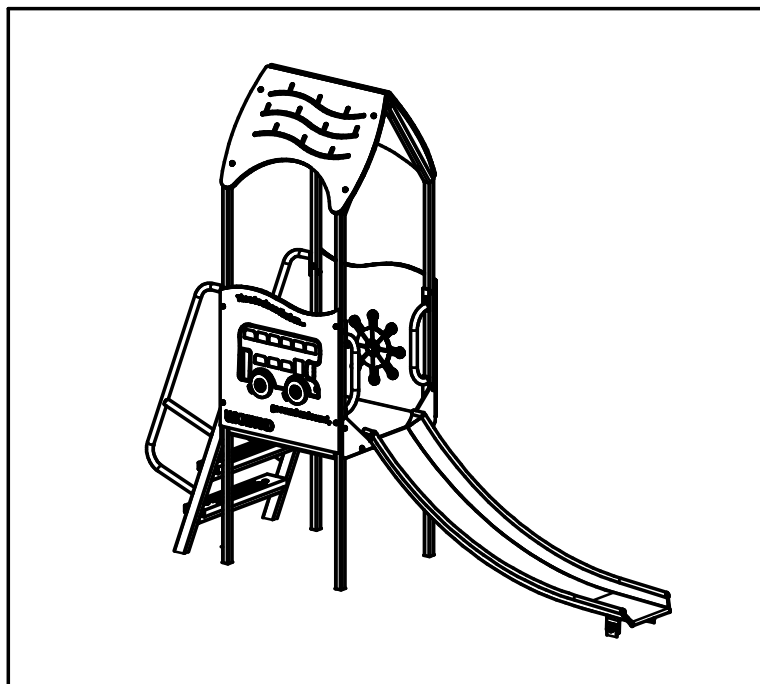


# Installation Instructions

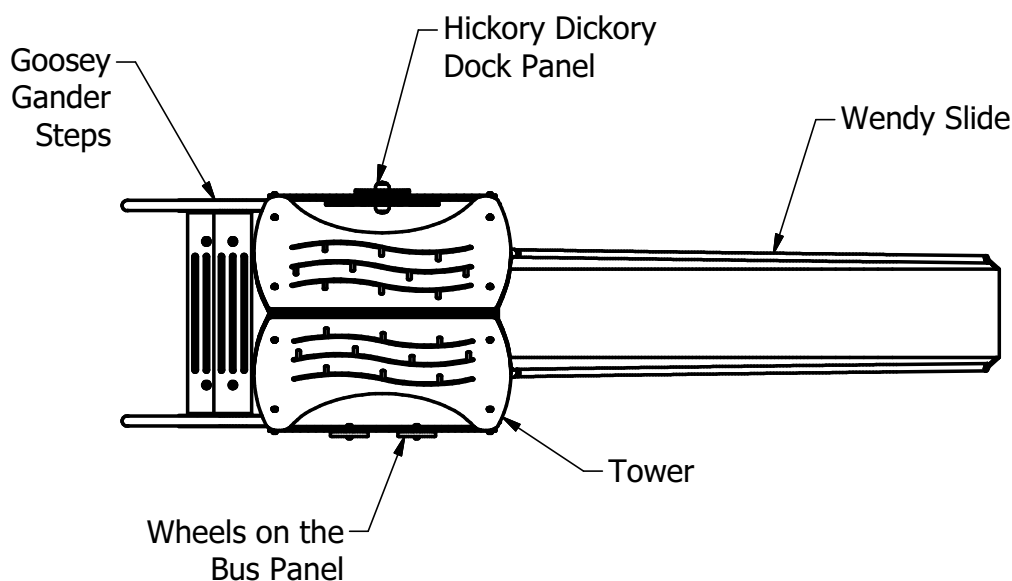


## Nursery Rhymes Simple Simon

PROD. CODE	616-SIMN
SIZE	2325x1995x680
AGE RANGE	3 to 5 Years
F/ FALL HEIGHT	<600mm
HEAVIEST PART	See Attached
TOTAL WEIGHT	See Attached



### Layout Details



### General Installation Instructions

- 1 Read instructions thoroughly before commencing installation of unit. For additional instruction on each unit see appropriate sheets attached.
- 2 Note:- In accordance with 6.1.3 EN1176-1:2008 we recommend that slides do not face south or near due south due to heat build up.
- 3 Excavate foundations as shown in the foundation plan.

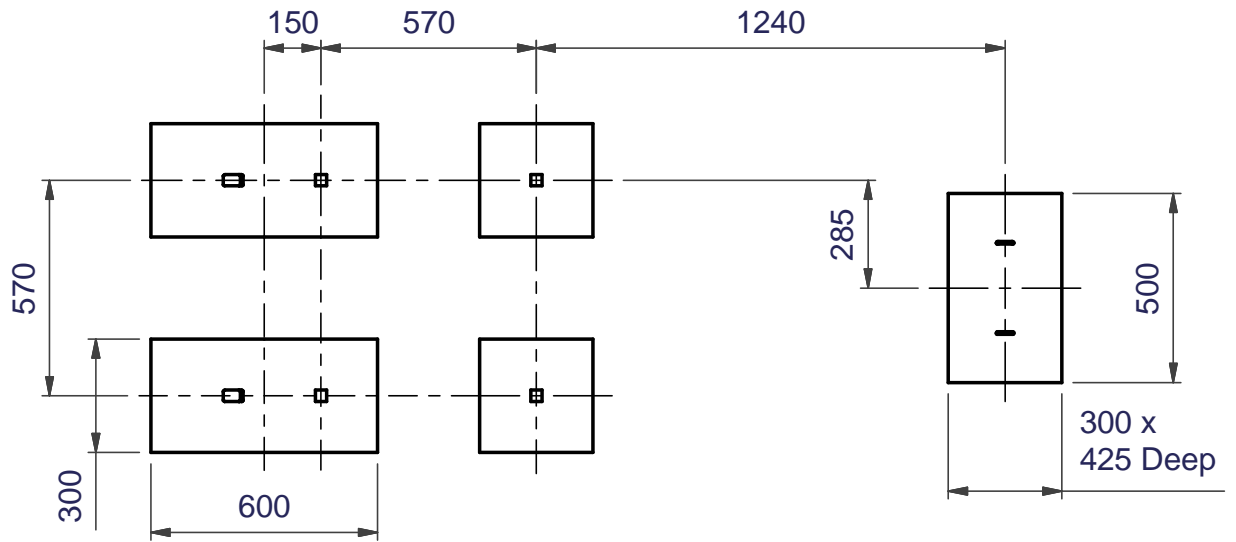
Note:- 1. Ensure all installation aids are removed before first use.  
2. Lifting Equipment or sufficient manpower should be used throughout installation.

## Foundation Details

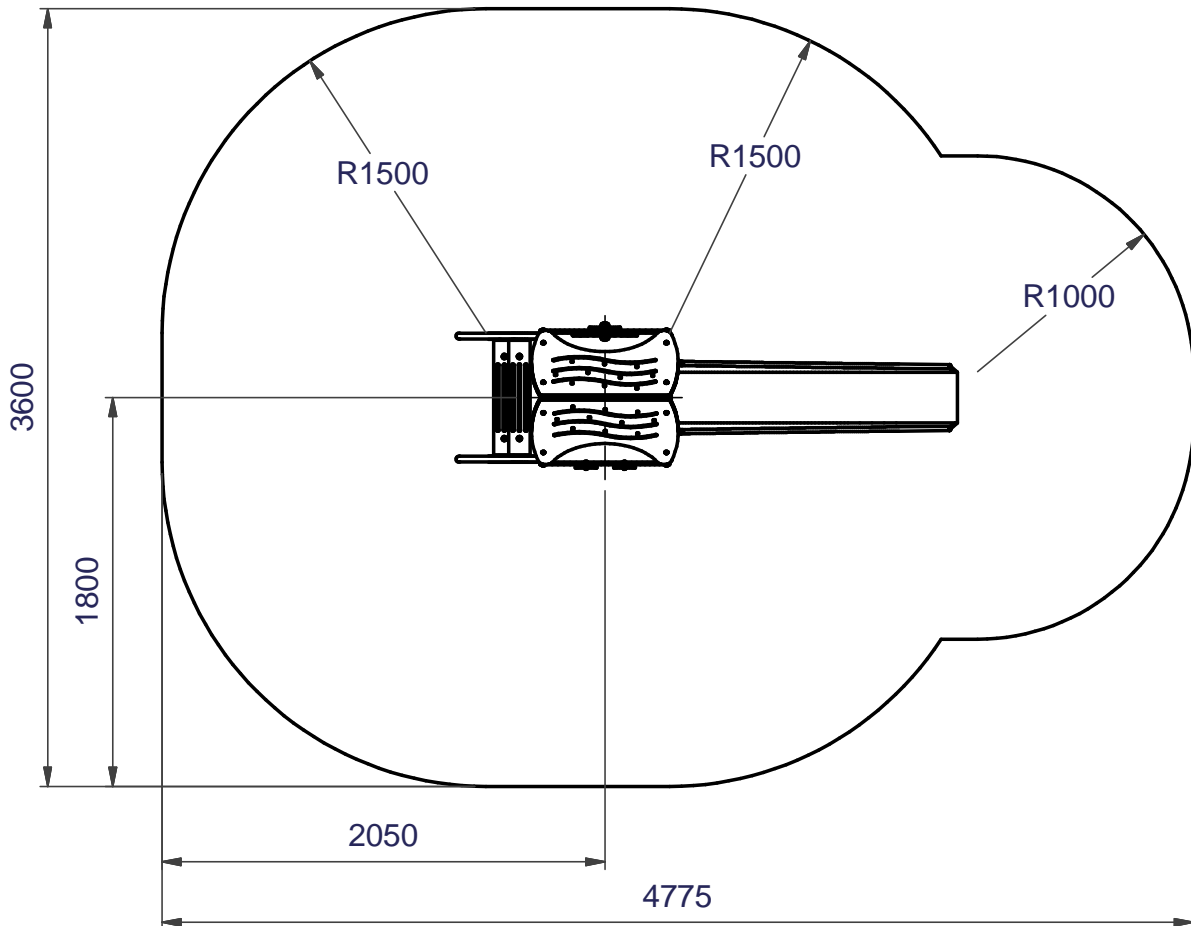
For loose fill see individual installation sheets

All foundations are 300 x 300 unless otherwise stated

All foundations are 385 deep unless otherwise stated



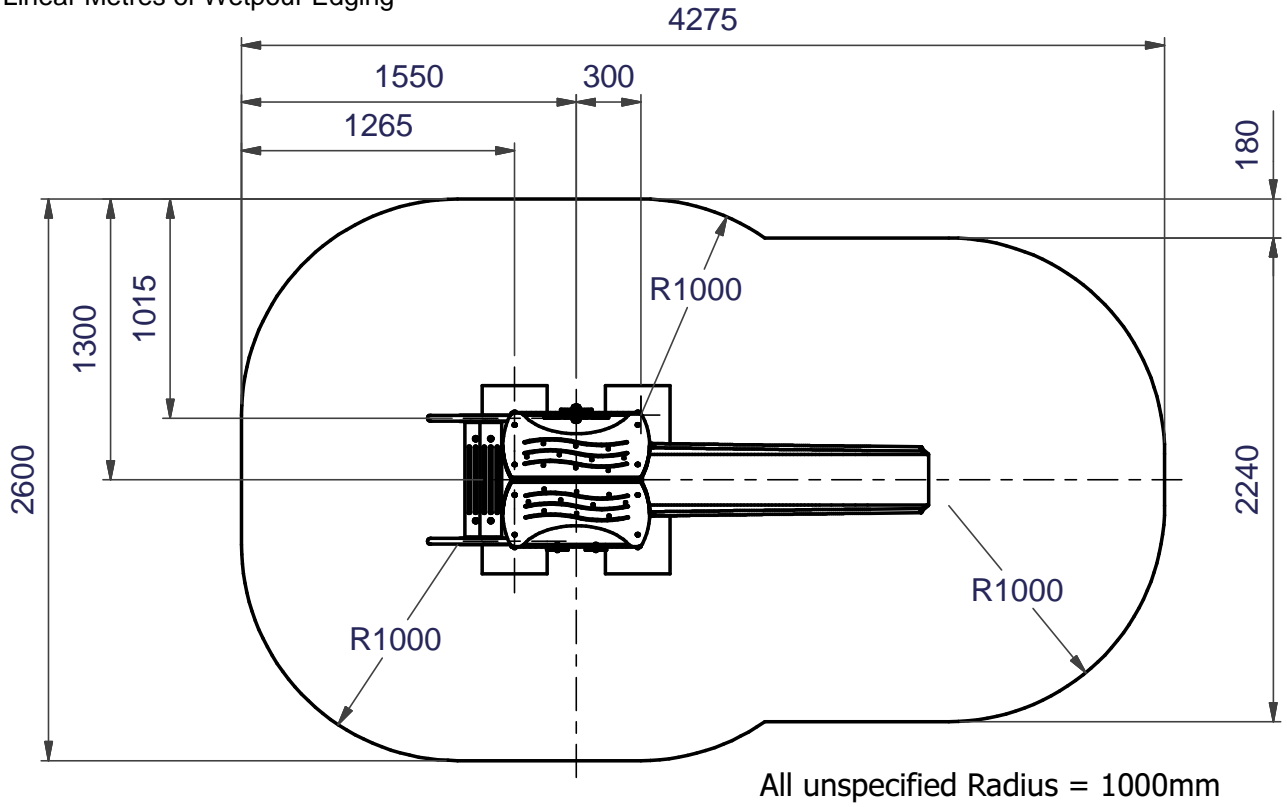
## Minimum Space



**Wetpour Details** Max FFH = 600mm

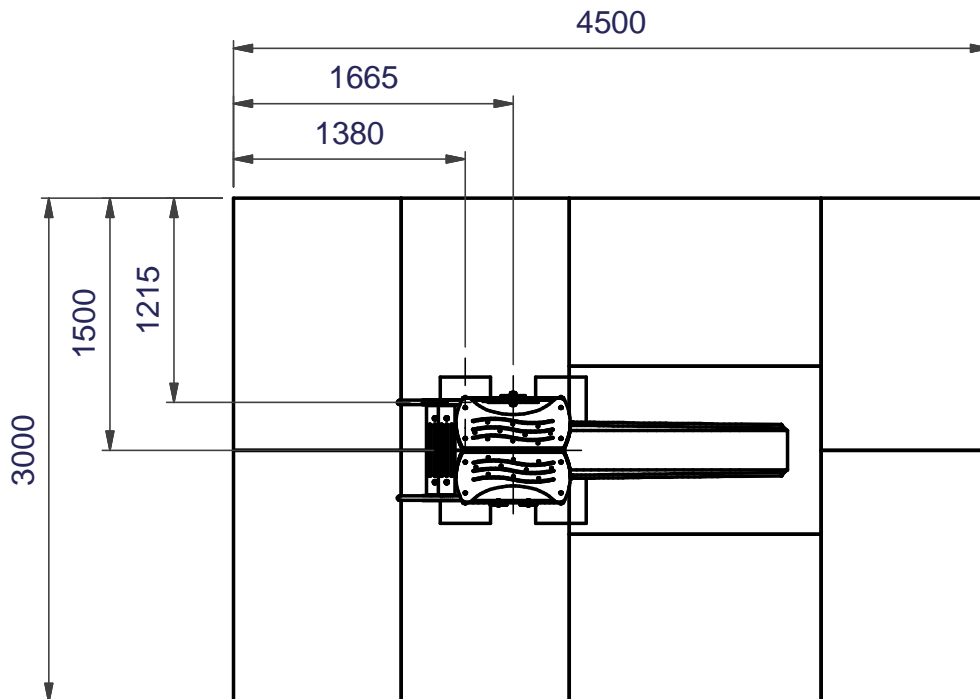
9.5 Sq Metres of Wetpour Area

12.0 Linear Metres of Wetpour Edging

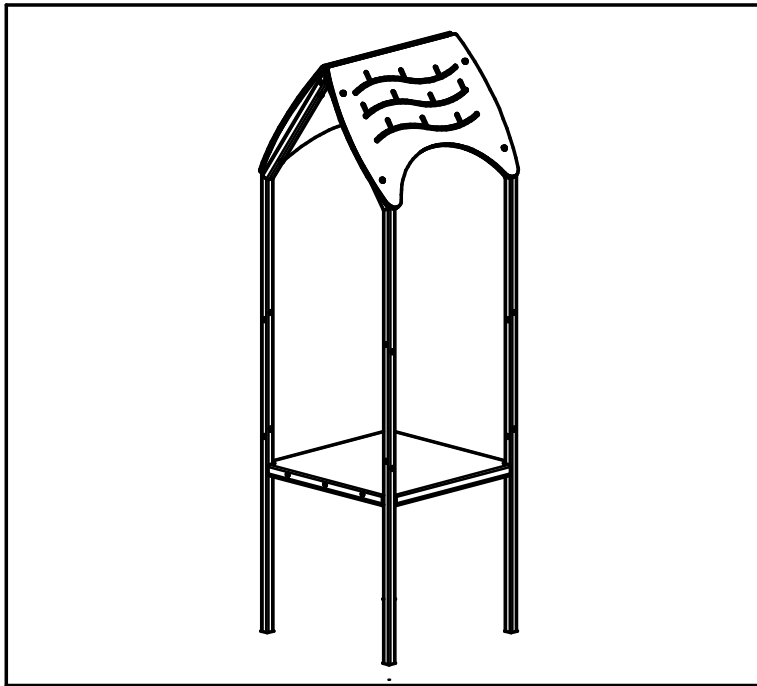



**Grass Mat Details**

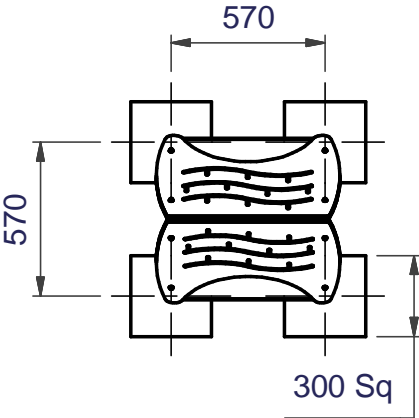
9 Grass mats



# Installation Instructions



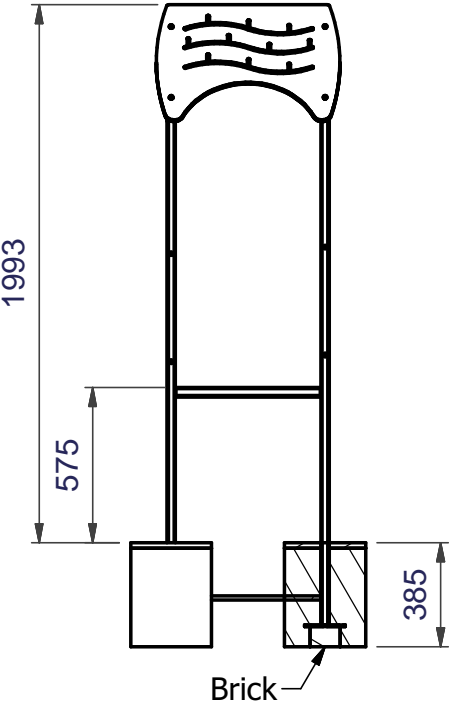
Nursery Rhymes	
Rapunzel tower with curved roof	
PROD. CODE	6160-060
SIZE	600x600x2300
AGE RANGE	3 to 5 Years
F/ FALL HEIGHT	575mm
HEAVIEST PART	Approx 38 Kg
TOTAL WEIGHT	Approx 51 Kg
	



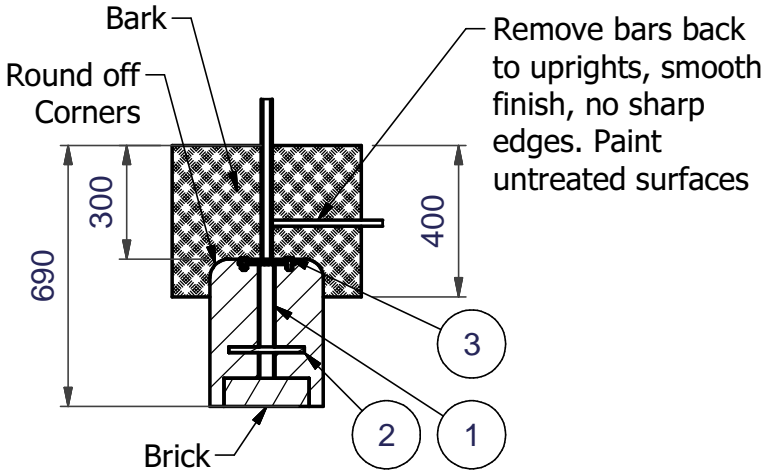
### Installation Instructions

Care must be taken in abnormal conditions

- 1 Read instructions thoroughly before commencing installation of unit.
- 2 Excavate foundation as shown in the plans.
- 3 Place Tower on bricks in excavated foundations as shown
- 4 Backfill foundations with 0.13m<sup>3</sup> of concrete (4 parts gravel/2 parts sand/1 part cement)
- 5 Allow concrete to set for 48 hours

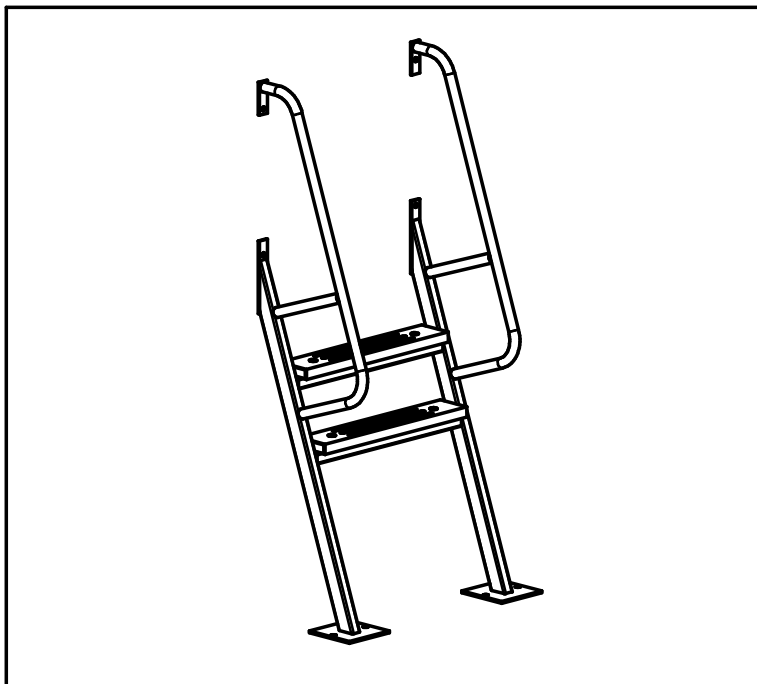


For Bark Fixing Use			
ITEM	QTY	PART NUMBER	DESCRIPTION
1	4	5071-003	BELOW GROUND ASSY
2	4	3031-010	SPRAGGING IRON
3	8	2175-134	M12 x 25 LG HEX HD SCREW

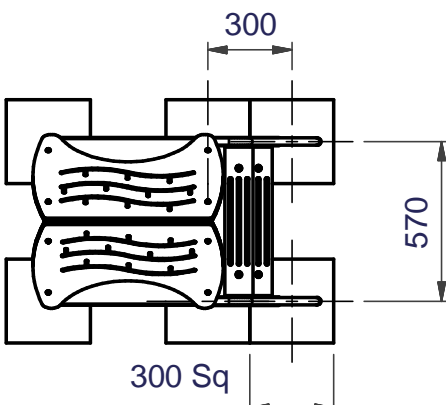
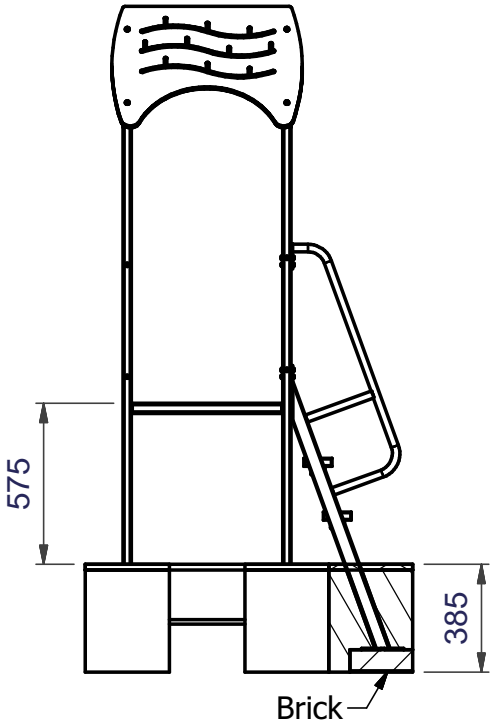


Note:- 1. Ensure all installation aids are removed before first use.  
 2. Lifting Equipment or sufficient manpower should be used throughout installation.

# Installation Instructions



<b>Nursery Rhymes</b>	
<b>Goosey Gander Steps</b>	
PROD. CODE	6160-067
SIZE	600x390x1150mm
AGE RANGE	3 to 5 Years
F/ FALL HEIGHT	<600mm
HEAVIEST PART	Approx 17 Kg
TOTAL WEIGHT	Approx 20 Kg
	

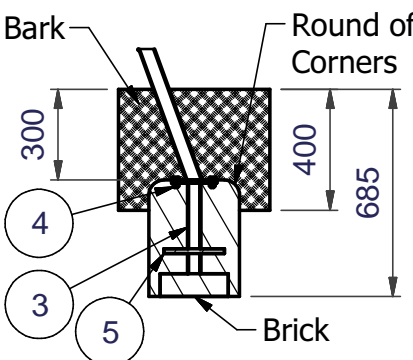



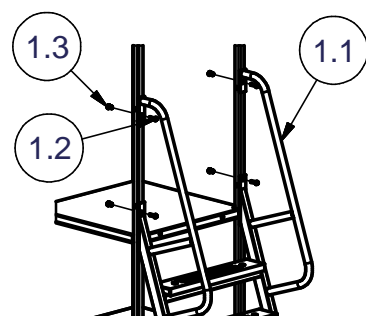
### Installation Instructions

Care must be taken in abnormal conditions

- 1 Read instructions thoroughly before commencing installation of unit.
- 2 Excavate foundation as shown in the plans.
- 3 Place ladder on bricks in excavated foundations and attach to tower uprights as shown
- 4 When the unit is fully assembled and all fixings secure, backfill foundations with 0.06m<sup>3</sup> of concrete (4 parts gravel/2 parts sand/1 part cement)
- 5 Allow concrete to set for 48 hours

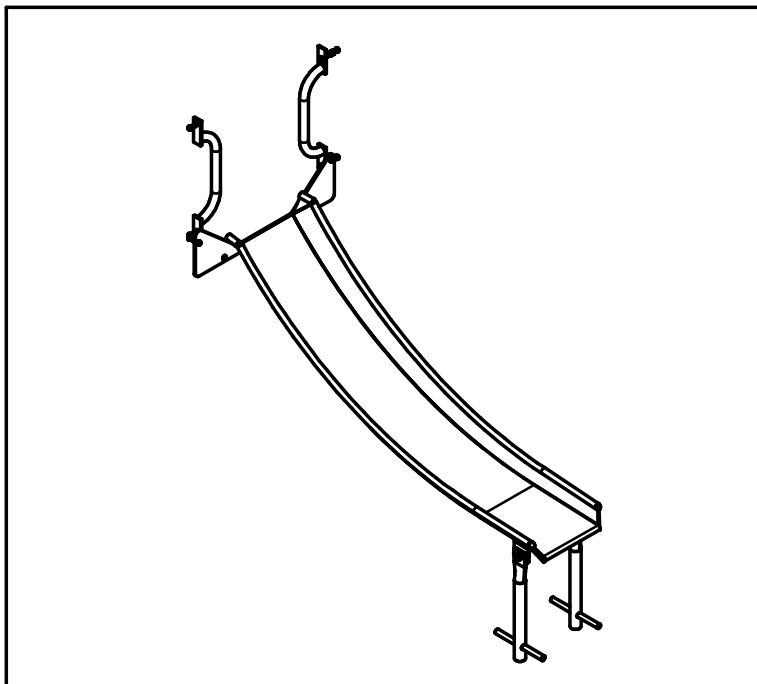
Parts List			
ITEM	QTY	PART NUMBER	DESCRIPTION
1	1	6160-067	GOOSEY GANDER LADDER
1.1	1	5300-056	GOOSEY GANDER LADDER ASSEMBLY
1.2	4	2176-153	M8 x 30 Pent Button Head
1.3	4	2177-001	M8 Safety Fastener
For Bark Fixing Use			
ITEM	QTY	PART NUMBER	DESCRIPTION
3	2	5071-003	BELOW GROUND ASSY
4	4	2175-134	M12 x 25 LG HEX HD SCREW
5	2	3031-010	SPRAGGING IRON





**Note:-** 1. Ensure all installation aids are removed before first use.  
 2. Lifting Equipment or sufficient manpower should be used throughout installation.

# Installation Instructions

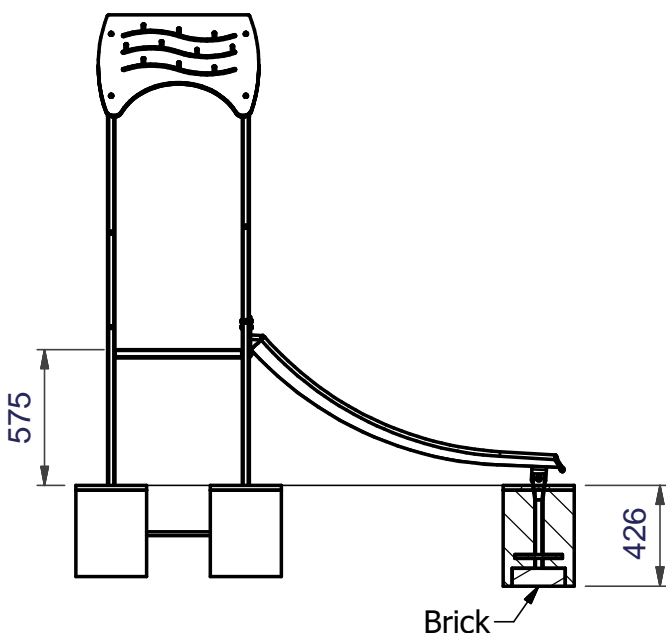
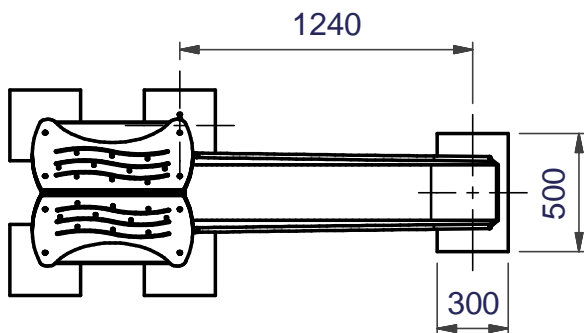


Nursery Rhymes	
Wendy Slide	
PROD. CODE	6160-010
SIZE	600x600x1340
AGE RANGE	3 to 5 Years
F/ FALL HEIGHT	575mm
HEAVIEST PART	Approx 15 Kg
TOTAL WEIGHT	Approx 27 Kg



**Note:-**

In accordance with 6.1.3 EN1176-1:2008 we recommend that slides do not face south or near due south due to heat build up.



**Installation Instructions**

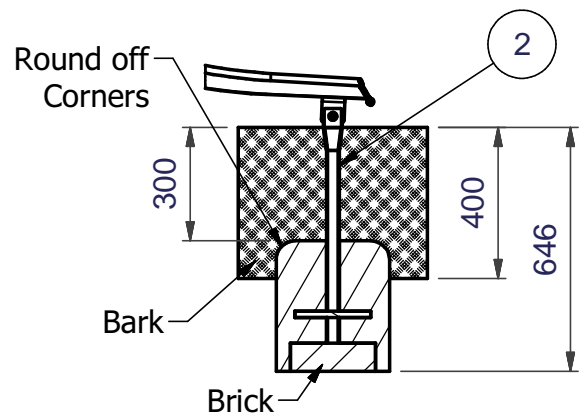
Care must be taken in abnormal conditions

- 1 Read instructions thoroughly before commencing installation of unit.
- 2 Excavate foundation as shown in the plans.
- 3 Secure pedestal tube to slide.
- 4 Position the slide on bricks in the hole, ensuring its plumb, square, at the correct height, distance and orientation and fix to tower as shown.
- 5 Secure the chute to the deck using M8 x 16 Pent Button Head Screws and M8 Nuts and M8 x 30 Pent Button Head Screws and M8 Safety Fasteners.

**NOTE:-It is important to line up the handholds correctly.** Secure Handholds using fixings detailed on sheet 2.

Note: M8 bolts to be torqued to 18 Nm (13 lbft).

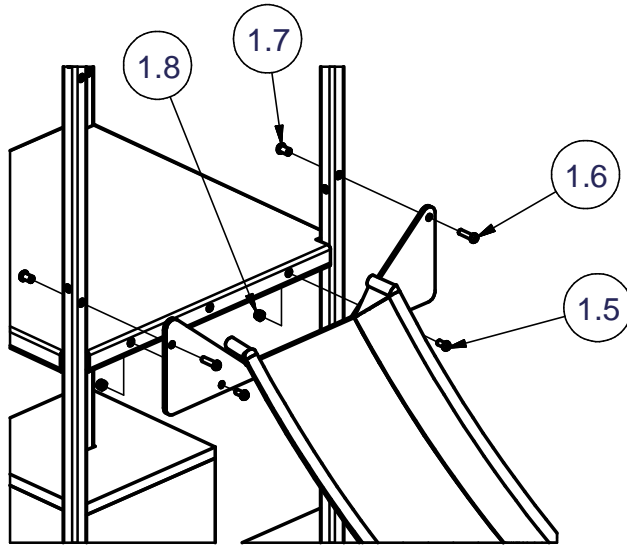
- 6 Backfill with 0.062 cubic m concrete (4 parts gravel/2 parts sand/1 part cement).
- 7 Allow concrete to set for 48 hours.



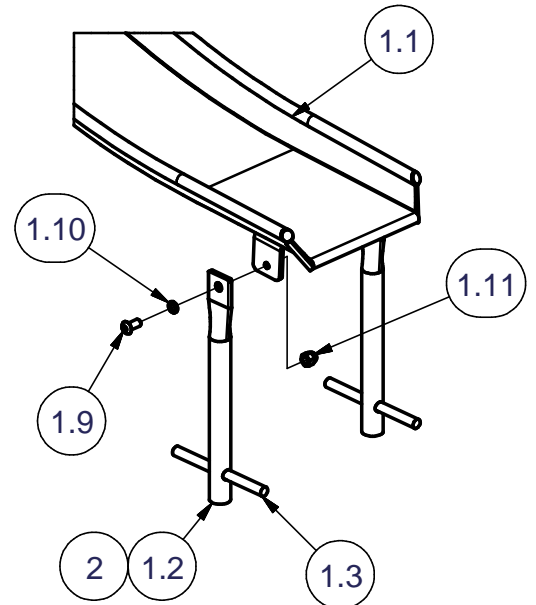
**Note:-** 1. Ensure all installation aids are removed before first use.

2. Lifting Equipment or sufficient manpower should be used throughout installation.

**Chute to Tower Fixings**



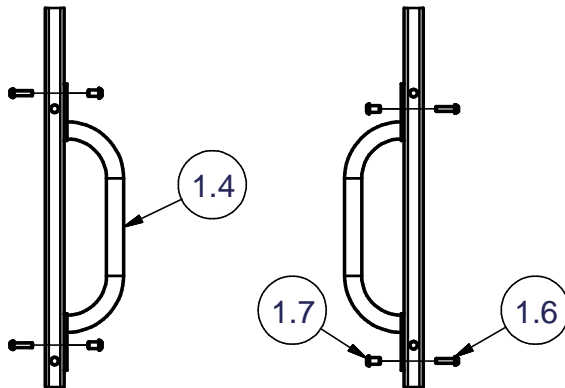
**Pedestal to Chute Fixings**



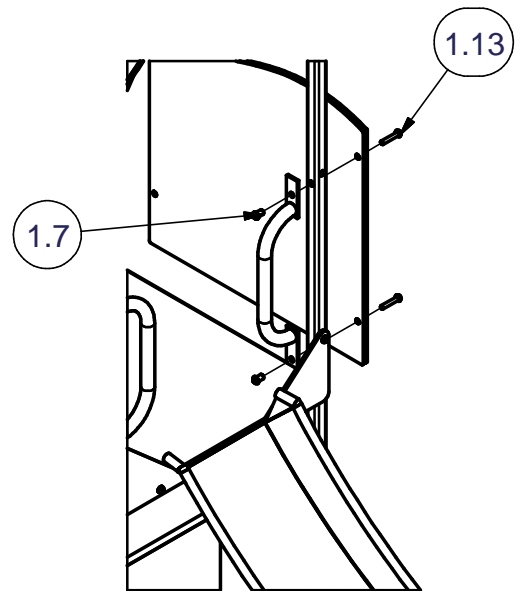
**NOTE:-**

**It is important to line up the handholds correctly**

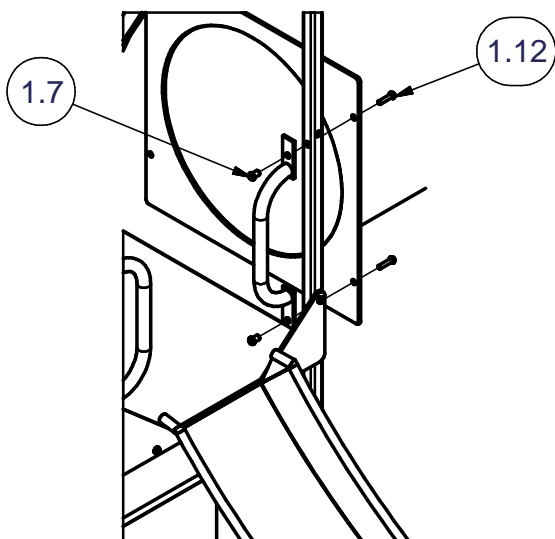
Looking from the front, the left hand handhold's lower mounting hole **must** be in the centre of the plate. The right hand handhold's fixing is the reverse of this.



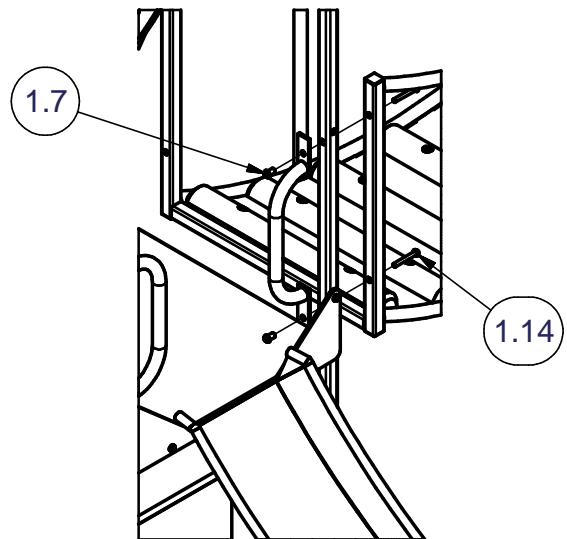
**Handhold with frame fixings**



**Handhold with Panel fixings**



**Handhold with Inchworm Tube fixings**



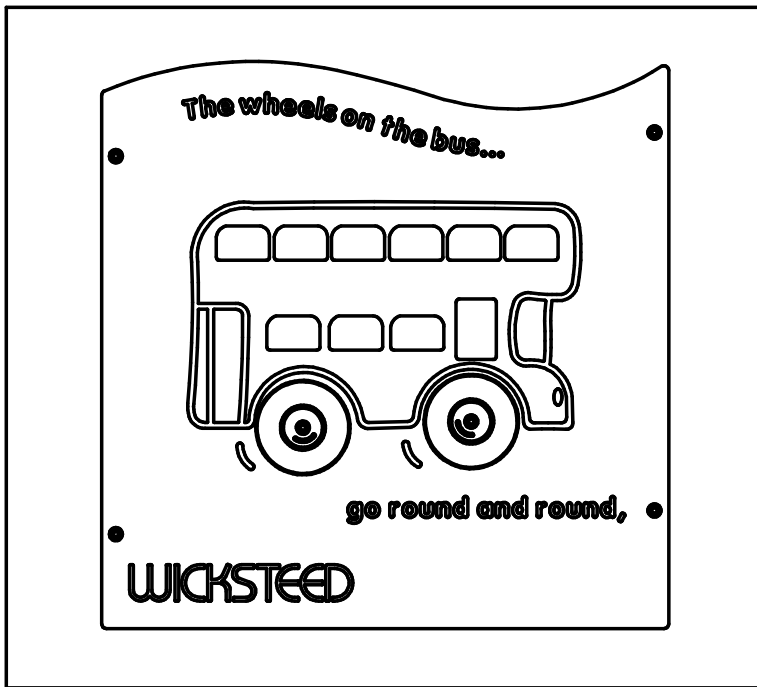
**Handhold with Bridge fixings**


Parts List			
ITEM	QTY	PART NUMBER	DESCRIPTION
1	1	6160-010	Wendy Slide and Handholds
1.1	1	5300-010	WENDY SLIDE CHUTE ASSY
1.2	2	3014-334	SLIDE PEDESTAL TUBE
1.3	2	3031-010	SPRAGGING IRON
1.4	2	5300-024	OFF-SET HANDHOLD
1.5	2	2176-151	M8 x 16 Pent Button Head
1.6	6	2176-153	M8 x 30 Pent Button Head
1.7	6	2177-001	M8 Safety Fastener
1.8	2	2192-001	M8 Nyloc Nut
1.9	2	2176-176	M12 x 25 Pent Button Head
1.10	2	2212-002	M12 Spring Washer
1.11	2	2195-005	M12 DOME NUT

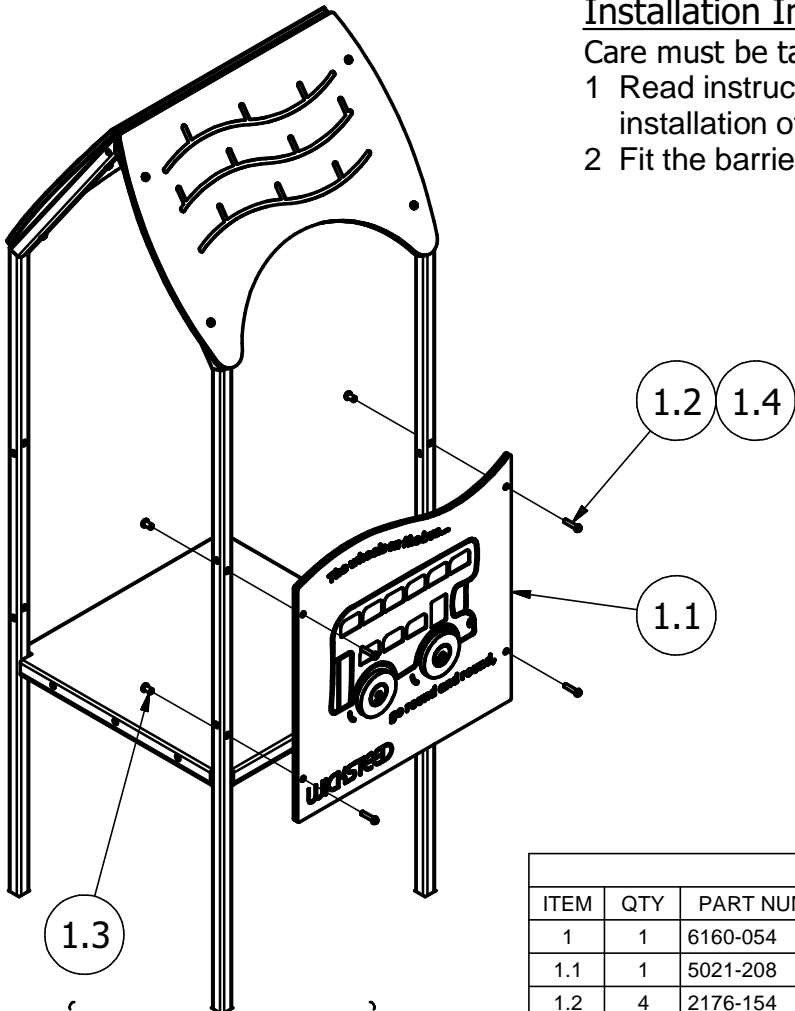
Accessory Fixings Parts List			
ITEM	QTY	PART NUMBER	DESCRIPTION
1.12	2	2176-154	M8 x 35 Pent Button Head
1.13	2	2176-155	M8 x 45 Pent Button Head
1.14	2	2176-157	M8 x 60 Pent Button Head

For Bark Fixing Use			
ITEM	QTY	PART NUMBER	DESCRIPTION
2	2	3014-335	SLIDE PEDESTAL TUBE - BARK

# Installation Instructions



Nursery Rhymes	
Wheels on the Bus Panel	
PROD. CODE	6160-054
SIZE	600x620x12
AGE RANGE	3 to 5 Years
F/ FALL HEIGHT	N/A
HEAVIEST PART	Approx 6 Kg
TOTAL WEIGHT	Approx 10 Kg
	



### Installation Instructions

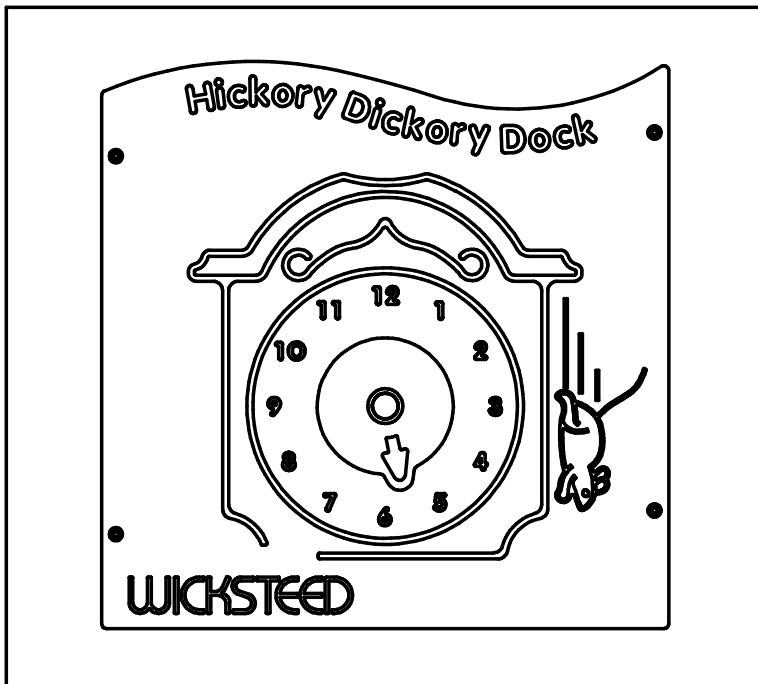
Care must be taken in abnormal conditions


- 1 Read instructions thoroughly before commencing installation of unit.
- 2 Fit the barrier to the tower uprights using fixings

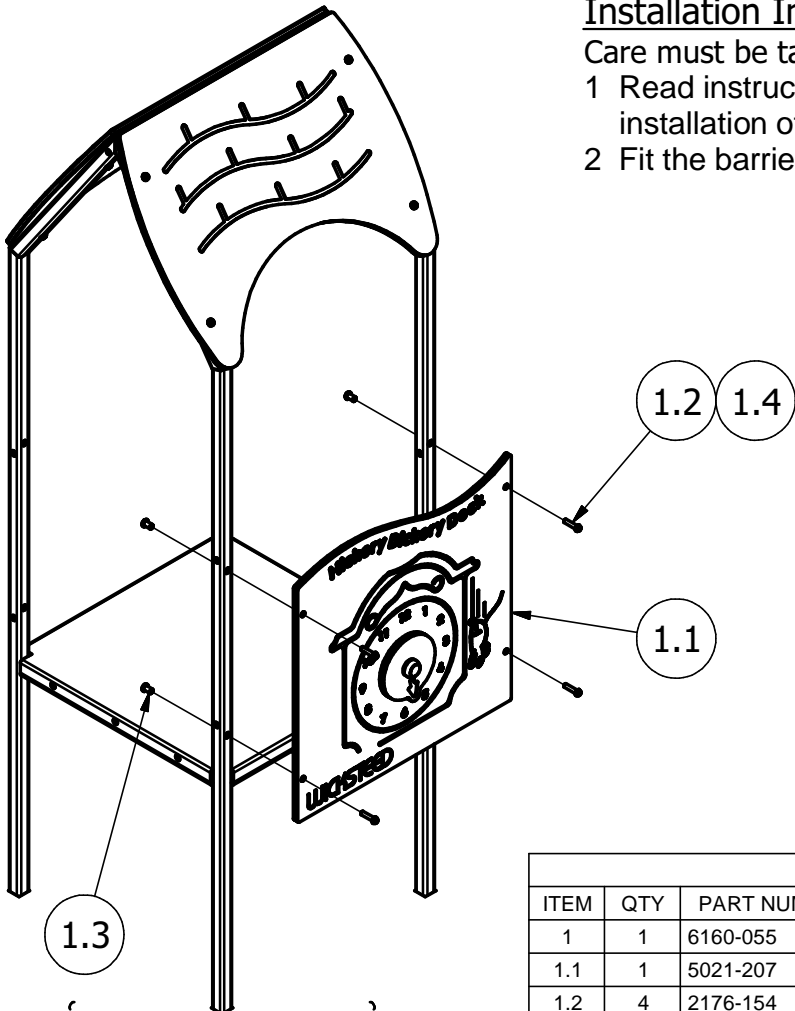
Parts List			
ITEM	QTY	PART NUMBER	DESCRIPTION
1	1	6160-054	Wheels on the Bus Panel
1.1	1	5021-208	Wheels on the Bus Panel Assembly
1.2	4	2176-154	M8 x 35 Pent Button Head
1.3	4	2177-001	M8 Safety Fastener
Alternative Fixing if Slide Handhold is fitted on same Tower Upright			
ITEM	QTY	PART NUMBER	DESCRIPTION
1.4	2	2176-155	M8 x 45 Pent Button Head

**Note:-** 1. Ensure all installation aids are removed before first use.  
 2. Lifting Equipment or sufficient manpower should be used throughout installation.

# Installation Instructions



Nursery Rhymes	
Hickory Dickory Dock Panel	
PROD. CODE	6160-055
SIZE	600x620x12
AGE RANGE	3 to 5 Years
F/ FALL HEIGHT	N/A
HEAVIEST PART	Approx 6 Kg
TOTAL WEIGHT	Approx 10 Kg
	



### Installation Instructions

Care must be taken in abnormal conditions

- 1 Read instructions thoroughly before commencing installation of unit.
- 2 Fit the barrier to the tower uprights using fixings

Parts List			
ITEM	QTY	PART NUMBER	DESCRIPTION
1	1	6160-055	Hickory Dickory Dock Panel
1.1	1	5021-207	Hickory Dickory Dock Panel Assembly
1.2	4	2176-154	M8 x 35 Pent Button Head
1.3	4	2177-001	M8 Safety Fastener
Alternative Fixing if Slide Handhold is fitted on same Tower Upright			
ITEM	QTY	PART NUMBER	DESCRIPTION
1.4	2	2176-155	M8 x 45 Pent Button Head

**Note:-** 1. Ensure all installation aids are removed before first use.  
 2. Lifting Equipment or sufficient manpower should be used throughout installation.