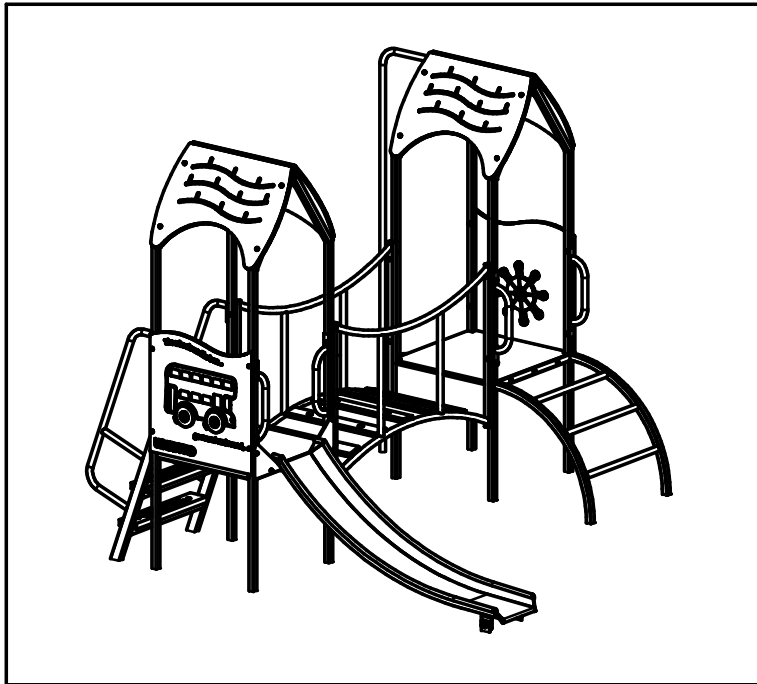

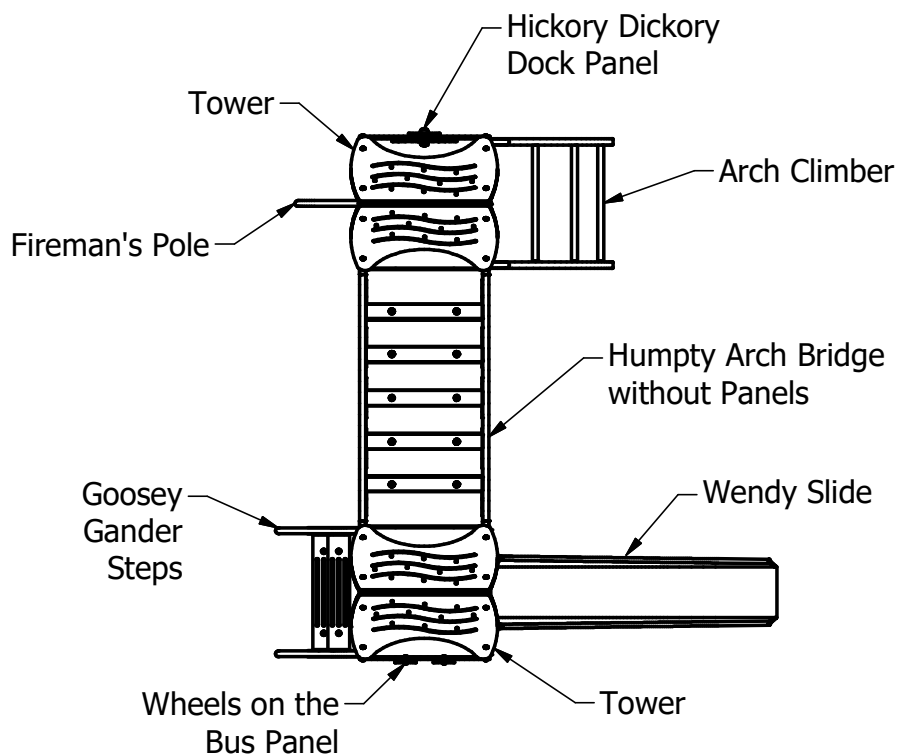


Installation Instructions



Nursery Rhymes	
Little Miss Muffet	
PROD. CODE	616-MUFT
SIZE	2325x1995x2480
AGE RANGE	3 to 5 Years
F/ FALL HEIGHT	<600mm
HEAVIEST PART	See Attached
TOTAL WEIGHT	See Attached
 <small>100 YEARS OF PLAY SINCE 1918</small>	

Layout Details



General Installation Instructions

- 1 Read instructions thoroughly before commencing installation of unit. For additional instruction on each unit see appropriate sheets attached.
- 2 Note:- In accordance with 6.1.3 EN1176-1:2008 we recommend that slides do not face south or near due south due to heat build up.
- 3 Excavate foundations as shown in the foundation plan.

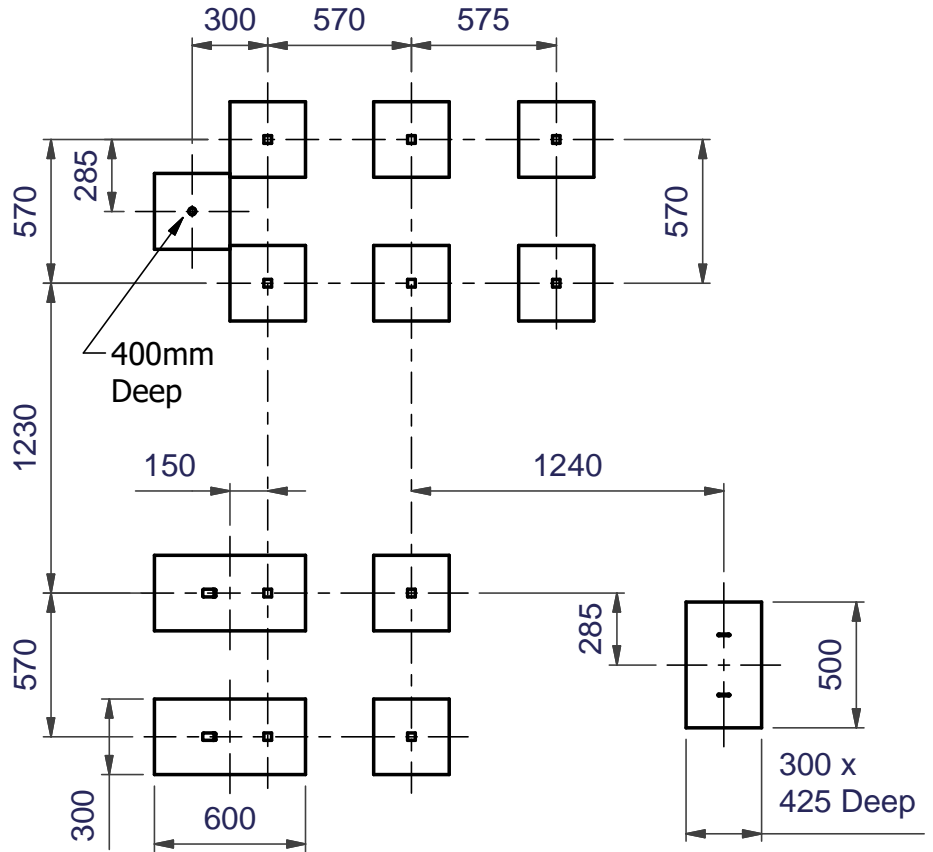
Note:- 1. Ensure all installation aids are removed before first use.
2. Lifting Equipment or sufficient manpower should be used throughout installation.

Foundation Details

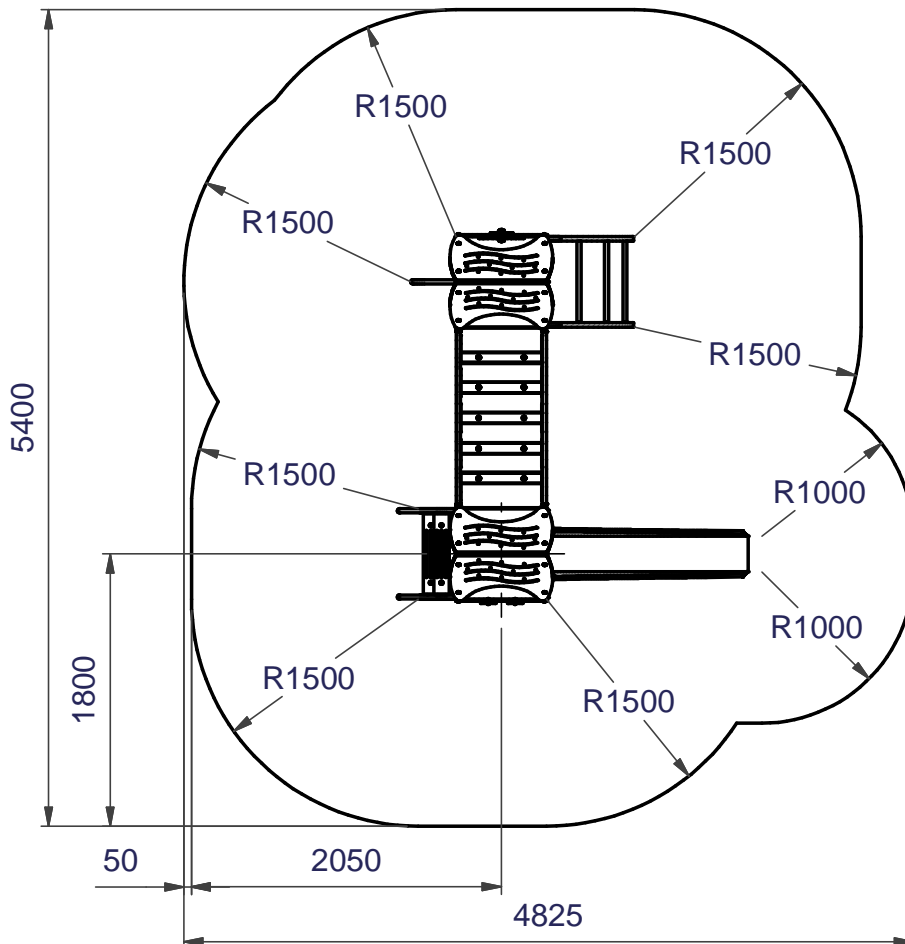
For loose fill see individual installation sheets

All foundations are 300 x 300 unless otherwise stated

All foundations are 385 deep unless otherwise stated



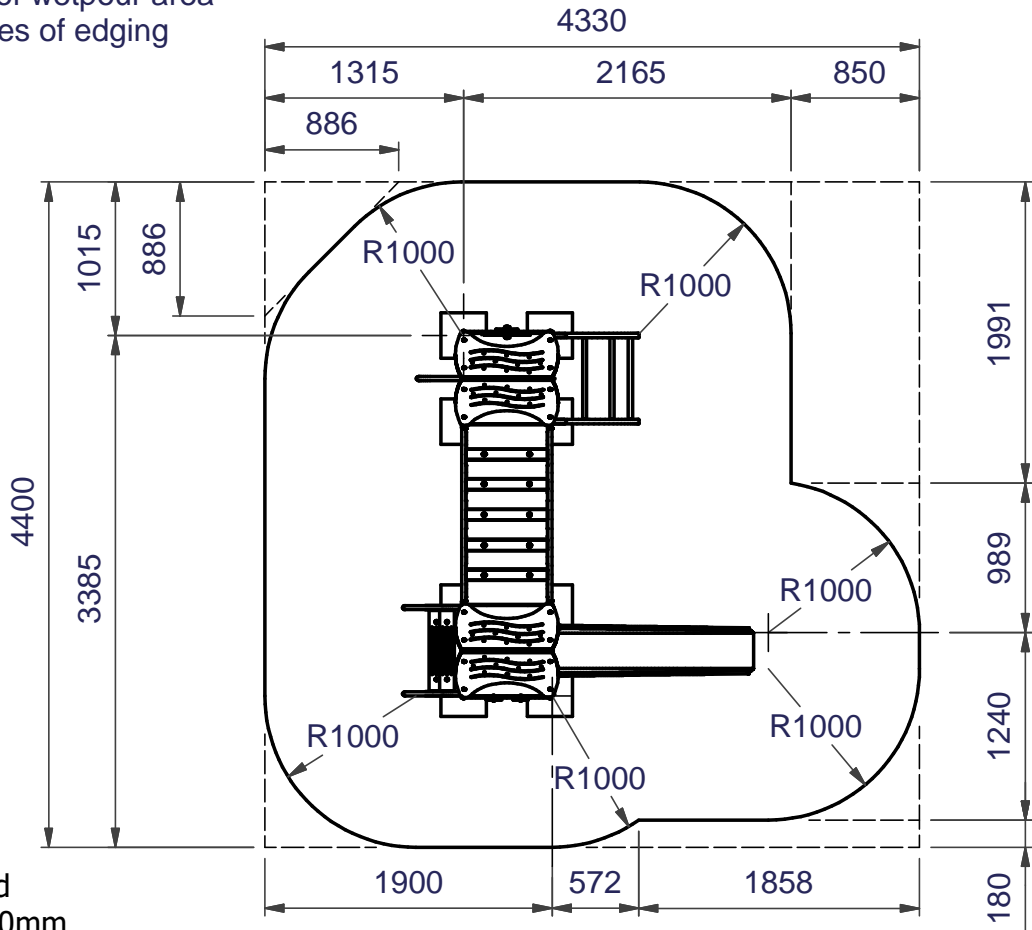
Minimum Space



Wetpour Details Max FFH=600mm

16.0 sq metres of wetpour area

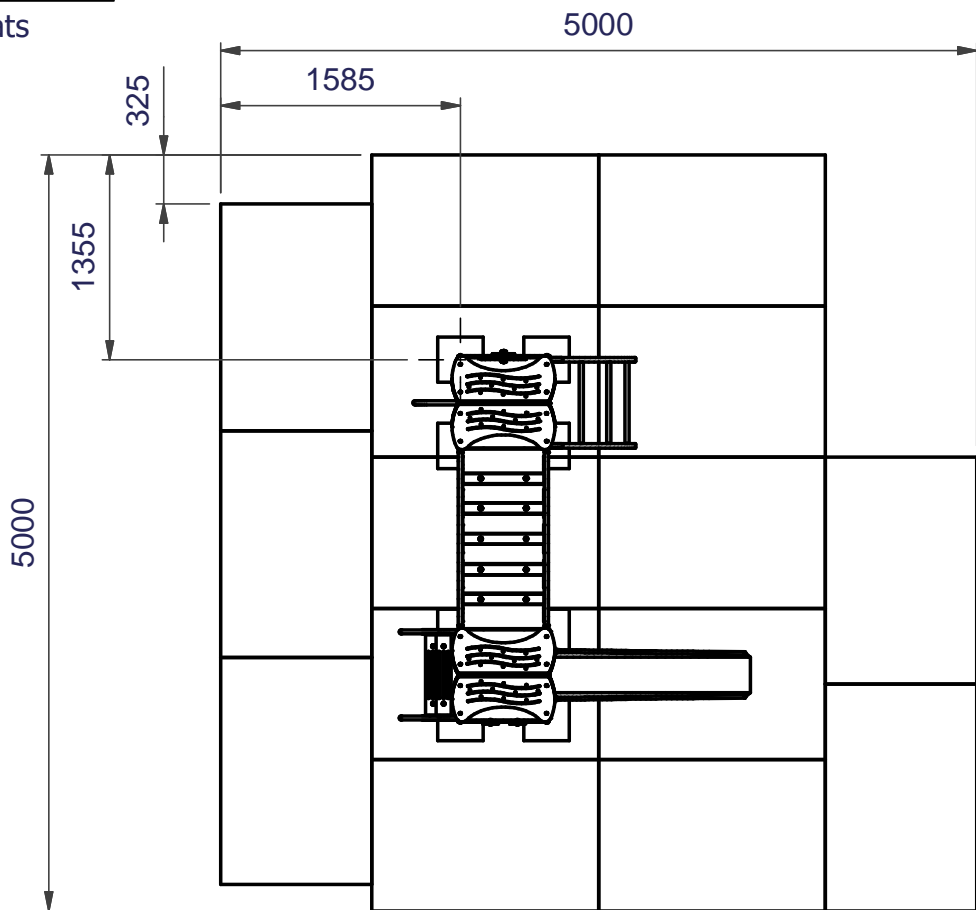
15.0 linear metres of edging



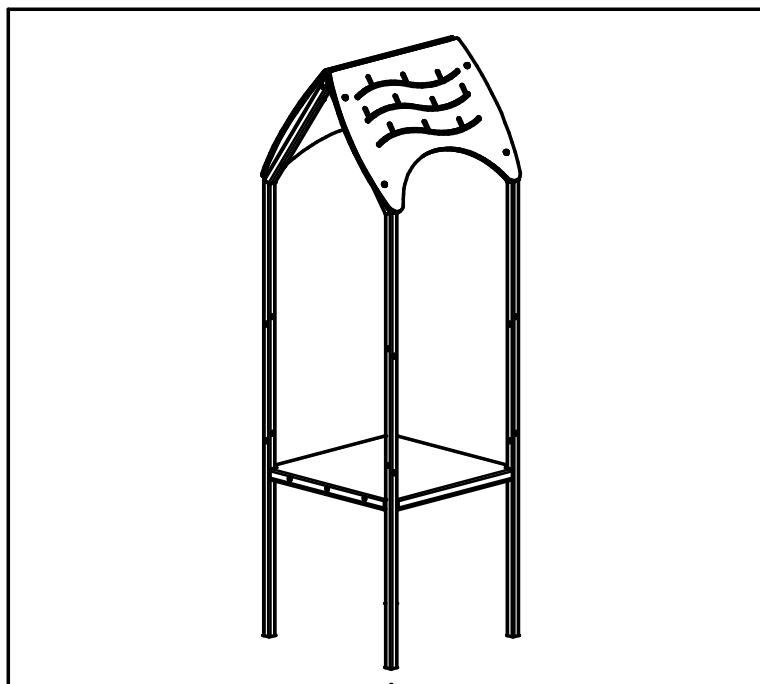
All unspecified
Radius = 1000mm

Grass Mat Details

15 Grass mats



Installation Instructions



Nursery Rhymes

Rapunzel tower with curved roof

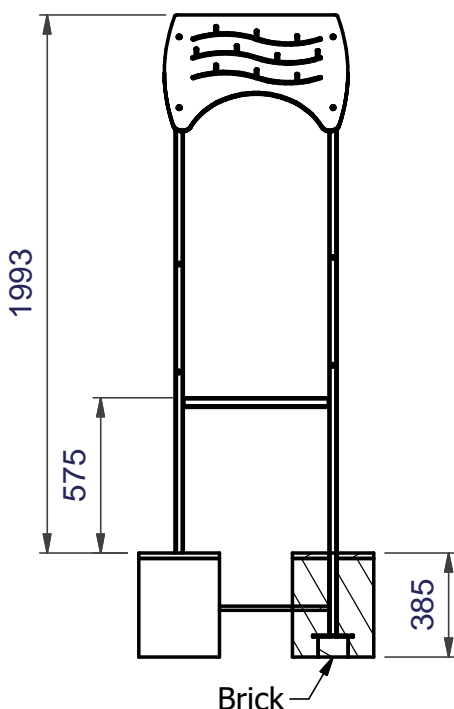
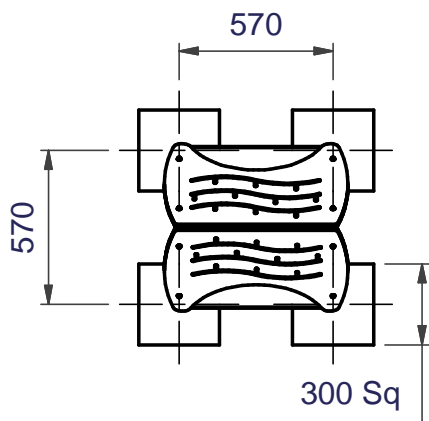
PROD. CODE	6160-060
SIZE	600x600x2300
AGE RANGE	3 to 5 Years
F/ FALL HEIGHT	575mm
HEAVIEST PART	Approx 38 Kg
TOTAL WEIGHT	Approx 51 Kg



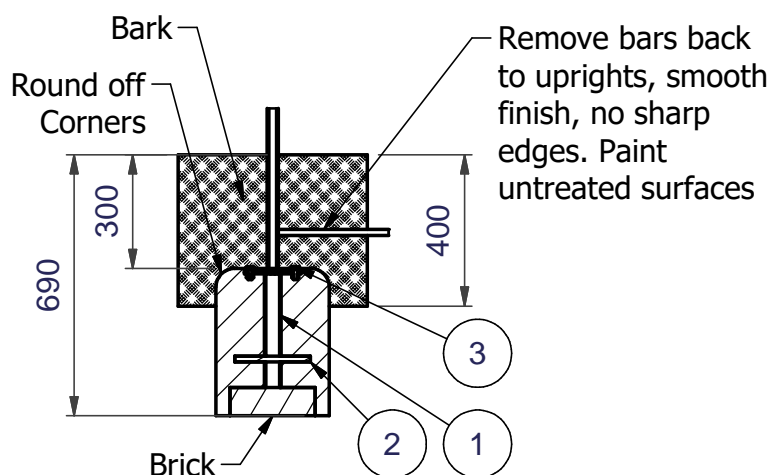
Installation Instructions

Care must be taken in abnormal conditions

- 1 Read instructions thoroughly before commencing installation of unit.
- 2 Excavate foundation as shown in the plans.
- 3 Place Tower on bricks in excavated foundations as shown
- 4 Backfill foundations with 0.13m³ of concrete (4 parts gravel/2 parts sand/1 part cement)
- 5 Allow concrete to set for 48 hours



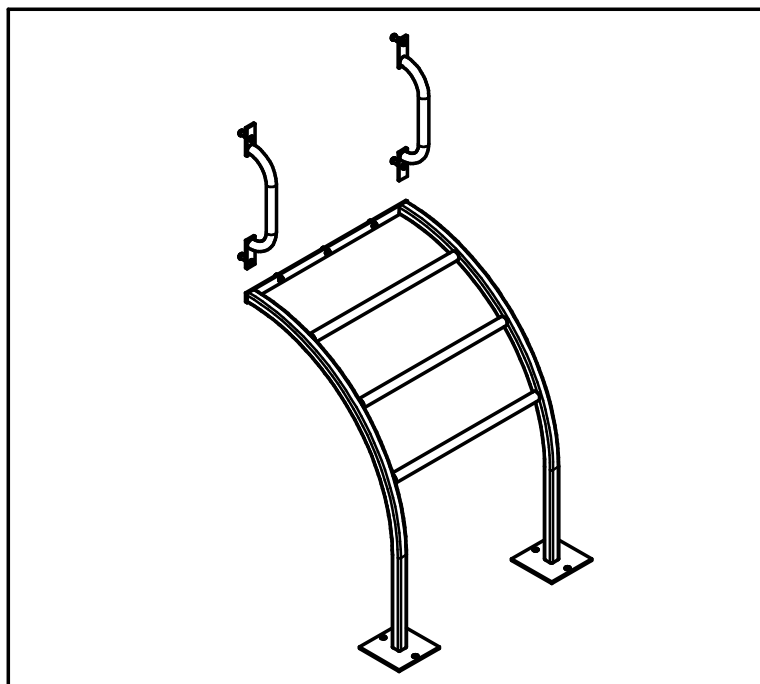
For Bark Fixing Use			
ITEM	QTY	PART NUMBER	DESCRIPTION
1	4	5071-003	BELOW GROUND ASSY
2	4	3031-010	SPRAGGING IRON
3	8	2175-134	M12 x 25 LG HEX HD SCREW



Note:- 1. Ensure all installation aids are removed before first use.

2. Lifting Equipment or sufficient manpower should be used throughout installation.

Installation Instructions



Nursery Rhymes	
Arch Climber	
PROD. CODE	6160-013
SIZE	600x600x600
AGE RANGE	3 to 5 Years
F/ FALL HEIGHT	575mm
HEAVIEST PART	Approx 9 Kg
TOTAL WEIGHT	Approx 15 Kg

WICKSTEED
100 YEARS OF PLAY
- SINCE 1918 -

Installation Instructions

Care must be taken in abnormal conditions

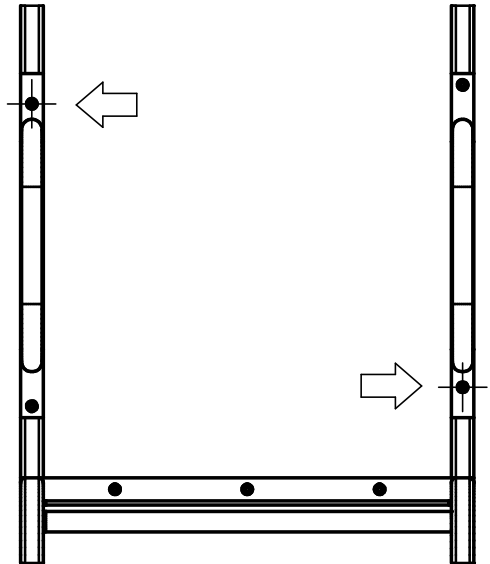
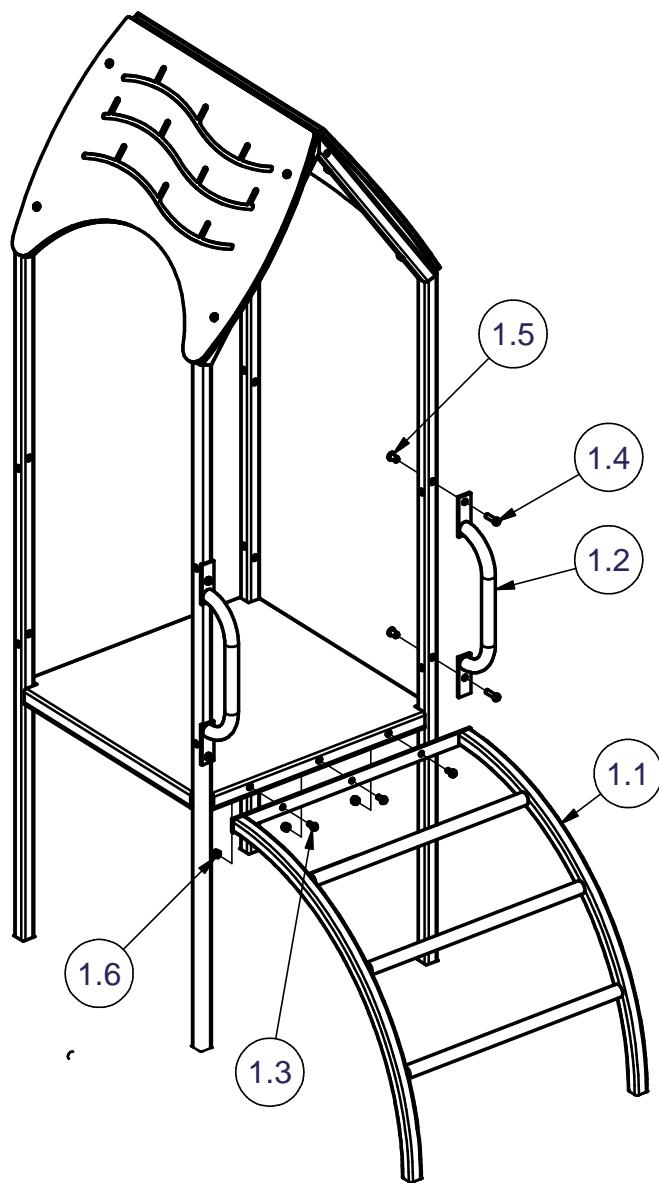
- 1 Read instructions thoroughly before commencing installation of unit.
- 2 Excavate foundation as shown in the plans.
- 3 Position the climber on bricks in the hole, ensuring its plumb, square, at the correct height, distance and orientation and fix to tower as shown.
- 4 Secure the climber to the deck using M8 x 16 Pent Button Head Screws and M8 Nuts.

NOTE:- It is important to line up the handholds correctly. Secure Handholds using using M8 x 30 Pent Button Head Screws and M8 Safety Fasteners. See sheet 2 for details.

Note: M8 bolts to be torqued to 18 Nm (13 lbft).

- 5 Backfill with 0.062 cubic m concrete (4 parts gravel/2 parts sand/1 part cement).
- 6 Allow concrete to set for 48 hours.

Note:- 1. Ensure all installation aids are removed before first use.
2. Lifting Equipment or sufficient manpower should be used throughout installation.



NOTE:-

It is important to line up the handholds correctly

Looking from the front, the left hand handhold's upper mounting hole **must** be in the centre of the plate. The right hand handhold's fixing is the reverse of this.

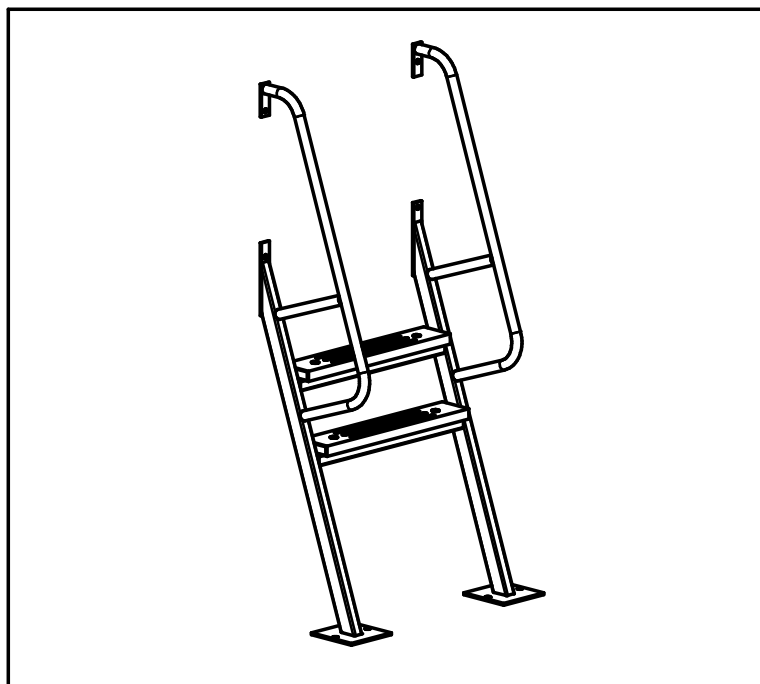
Parts List

ITEM	QTY	PART NUMBER	DESCRIPTION
1	1	6160-013	Arch Climber
1.1	1	5300-013	ARCH CLIMBER
1.2	2	5300-024	OFF-SET HANDHOLD
1.3	3	2176-151	M8 x 16 Pent Button Head
1.4	4	2176-153	M8 x 30 Pent Button Head
1.5	4	2177-001	M8 Safety Fastener
1.6	3	2192-001	M8 Nyloc Nut

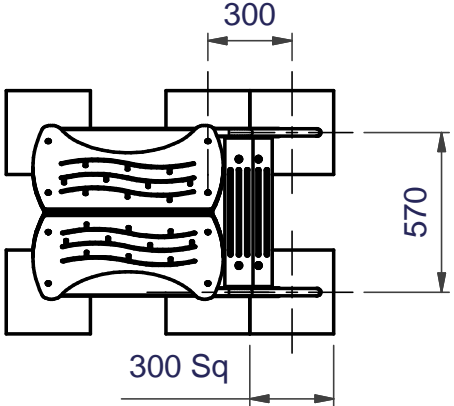
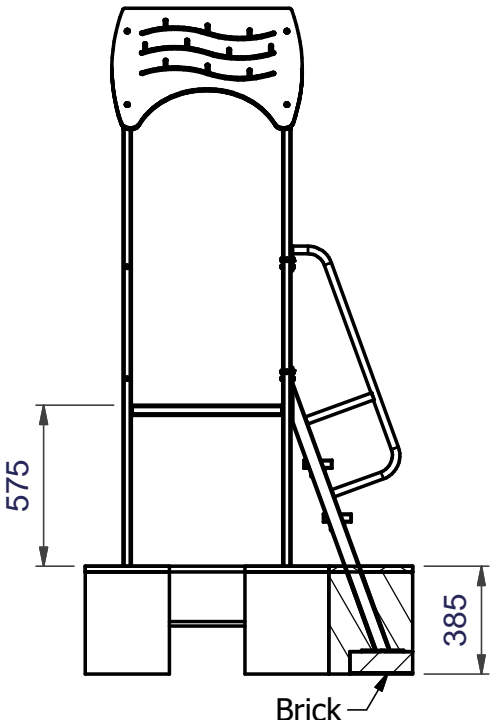
For Bark Fixing Use

ITEM	QTY	PART NUMBER	DESCRIPTION
2	2	5071-003	BELOW GROUND ASSY
3	2	3031-010	SPRAGGING IRON
4	4	2175-134	M12 x 25 LG HEX HD SCREW

Installation Instructions



Nursery Rhymes	
Goosey Gander Steps	
PROD. CODE	6160-067
SIZE	600x390x1150mm
AGE RANGE	3 to 5 Years
F/ FALL HEIGHT	<600mm
HEAVIEST PART	Approx 17 Kg
TOTAL WEIGHT	Approx 20 Kg
	

Installation Instructions

Care must be taken in abnormal conditions

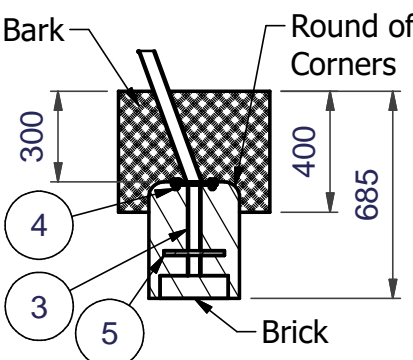
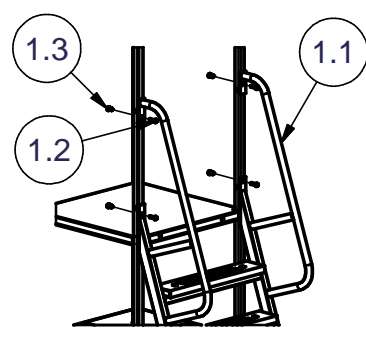
- 1 Read instructions thoroughly before commencing installation of unit.
- 2 Excavate foundation as shown in the plans.
- 3 Place ladder on bricks in excavated foundations and attach to tower uprights as shown
- 4 When the unit is fully assembled and all fixings secure, backfill foundations with 0.06m³ of concrete (4 parts gravel/2 parts sand/1 part cement)
- 5 Allow concrete to set for 48 hours

Parts List

ITEM	QTY	PART NUMBER	DESCRIPTION
1	1	6160-067	GOOSEY GANDER LADDER
1.1	1	5300-056	GOOSEY GANDER LADDER ASSEMBLY
1.2	4	2176-153	M8 x 30 Pent Button Head
1.3	4	2177-001	M8 Safety Fastener

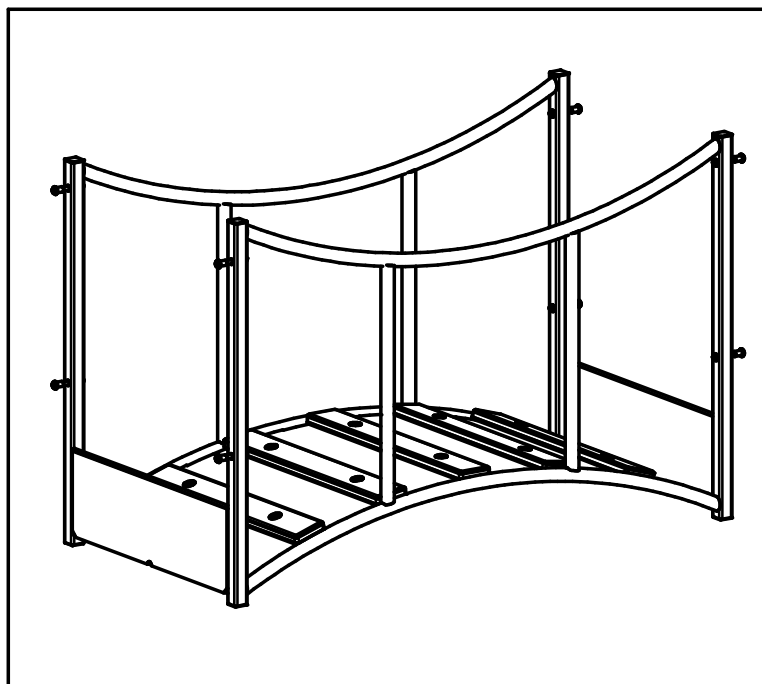
For Bark Fixing Use


ITEM	QTY	PART NUMBER	DESCRIPTION
3	2	5071-003	BELOW GROUND ASSY
4	4	2175-134	M12 x 25 LG HEX HD SCREW
5	2	3031-010	SPRAGGING IRON

Note:- 1. Ensure all installation aids are removed before first use.
 2. Lifting Equipment or sufficient manpower should be used throughout installation.

Installation Instructions

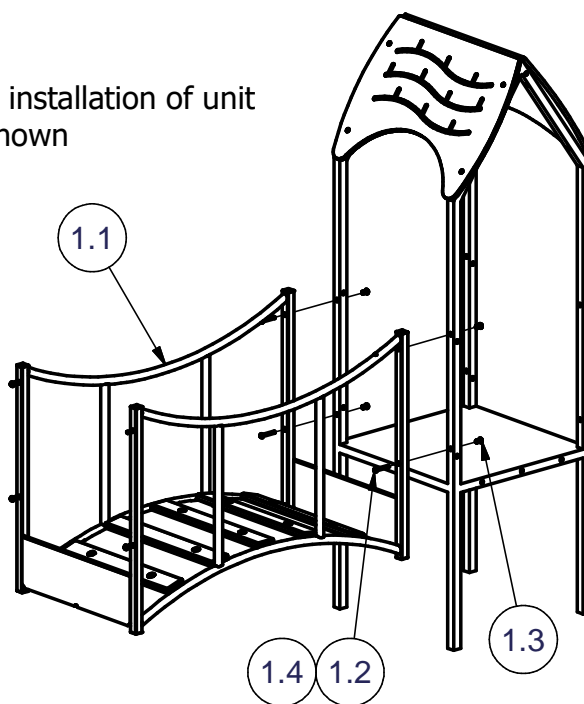
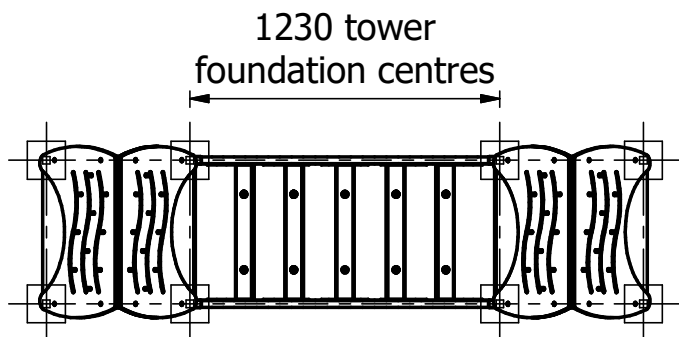


Nursery Rhymes	
Humpty Bridge	
PROD. CODE	6160-063
SIZE	600x1200x790
AGE RANGE	3 to 5 Years
F/ FALL HEIGHT	<600mm
HEAVIEST PART	Approx 37 Kg
TOTAL WEIGHT	Approx 45.5 Kg
 <small>100 YEARS OF PLAY SINCE 1918</small>	

Installation Instructions

Care must be taken in abnormal conditions

- 1 Read instructions thoroughly before commencing installation of unit
- 2 Support bridge and attach to tower uprights as shown

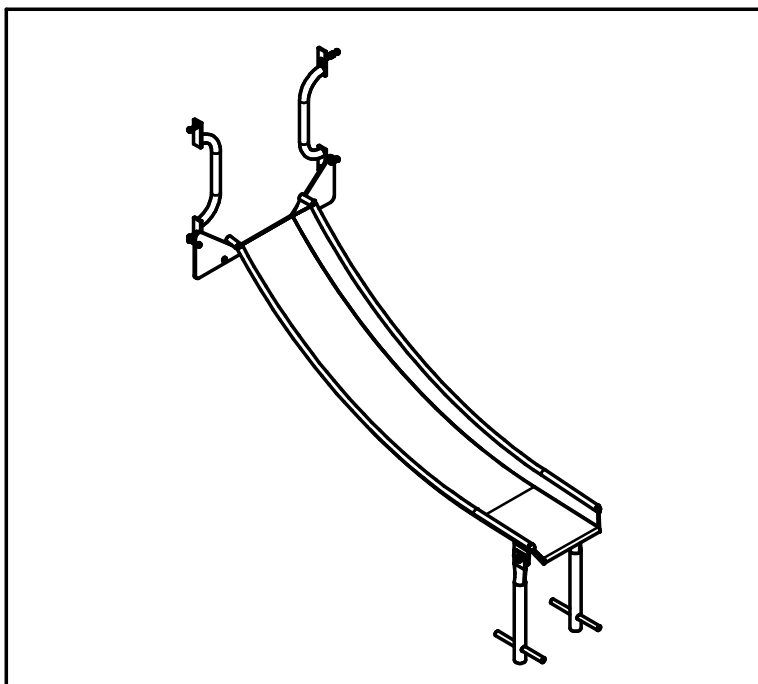


Parts List

ITEM	QTY	PART NUMBER	DESCRIPTION
1	1	6160-063	HUMPTY BRIDGE
1.1	1	5300-057	HUMPTY BRIDGE ASSEMBLY
1.2	8	2176-156	M8 x 55 Pent Button Head
1.3	8	2177-001	M8 Safety Fastener
Alternative Fixing if Slide Handhold is fitted on same Tower Upright			
ITEM	QTY	PART NUMBER	DESCRIPTION
1.4	2	2176-157	M8 x 60 Pent Button Head

Note:- 1. Ensure all installation aids are removed before first use.
2. Lifting Equipment or sufficient manpower should be used throughout installation.

Installation Instructions

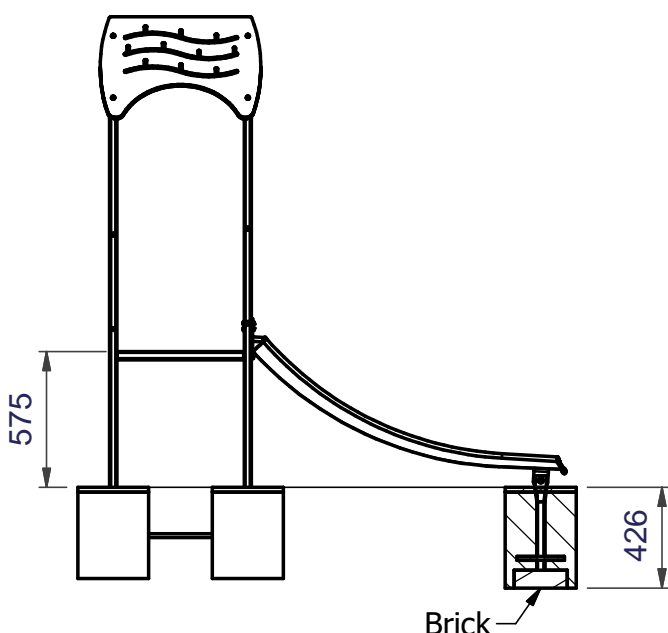
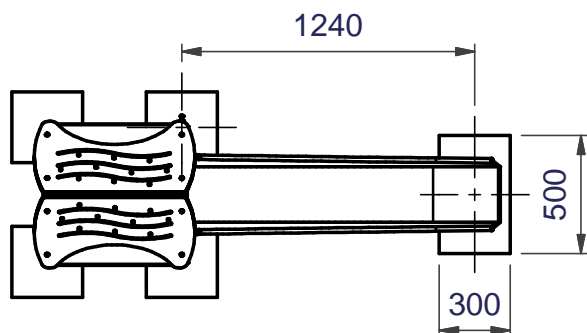


Nursery Rhymes Wendy Slide	
PROD. CODE	6160-010
SIZE	600x600x1340
AGE RANGE	3 to 5 Years
F/ FALL HEIGHT	575mm
HEAVIEST PART	Approx 15 Kg
TOTAL WEIGHT	Approx 27 Kg

WICKSTEED
100 YEARS OF PLAY
- SINCE 1918 -

Note:-

In accordance with 6.1.3 EN1176-1:2008 we recommend that slides do not face south or near due south due to heat build up.



Installation Instructions

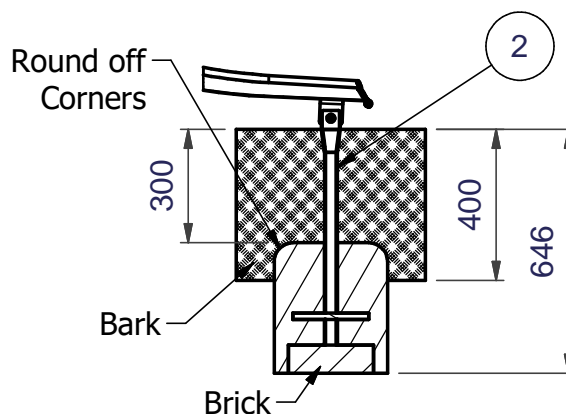
Care must be taken in abnormal conditions

- 1 Read instructions thoroughly before commencing installation of unit.
- 2 Excavate foundation as shown in the plans.
- 3 Secure pedestal tube to slide.
- 4 Position the slide on bricks in the hole, ensuring its plumb, square, at the correct height, distance and orientation and fix to tower as shown.
- 5 Secure the chute to the deck using M8 x 16 Pent Button Head Screws and M8 Nuts and M8 x 30 Pent Button Head Screws and M8 Safety Fasteners.

NOTE:-It is important to line up the handholds correctly. Secure Handholds using fixings detailed on sheet 2.

Note: M8 bolts to be torqued to 18 Nm (13 lbf).

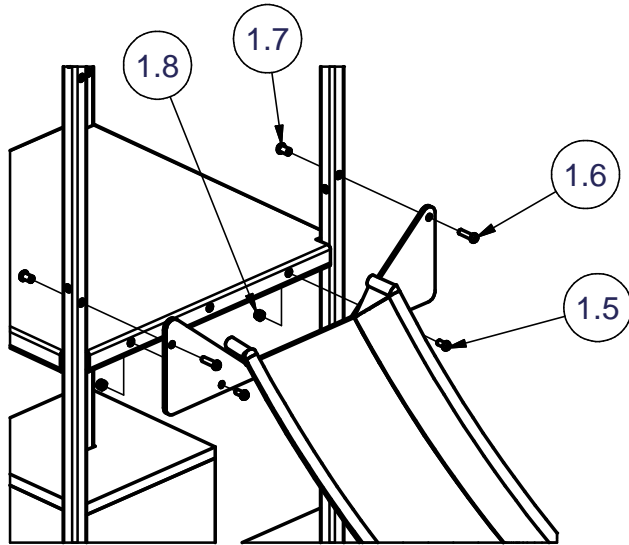
- 6 Backfill with 0.062 cubic m concrete (4 parts gravel/2 parts sand/1 part cement).
- 7 Allow concrete to set for 48 hours.



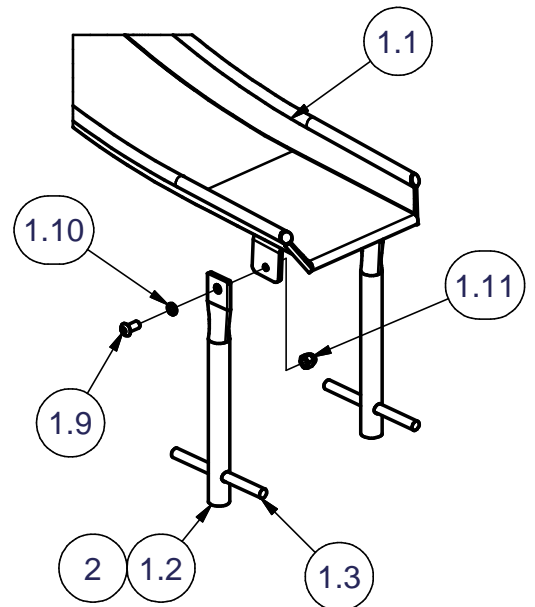
Note:- 1. Ensure all installation aids are removed before first use.

2. Lifting Equipment or sufficient manpower should be used throughout installation.

Chute to Tower Fixings



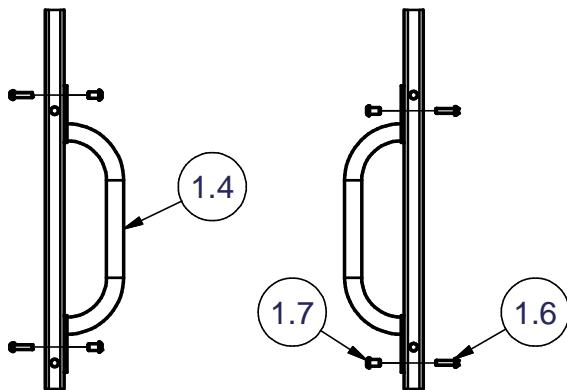
Pedestal to Chute Fixings



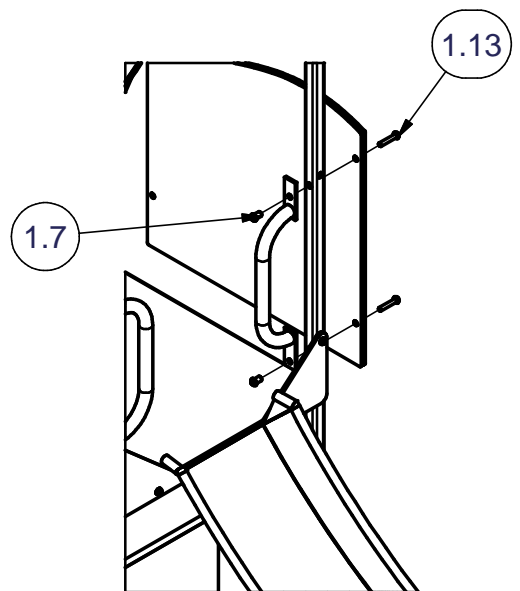
NOTE:-

It is important to line up the handholds correctly

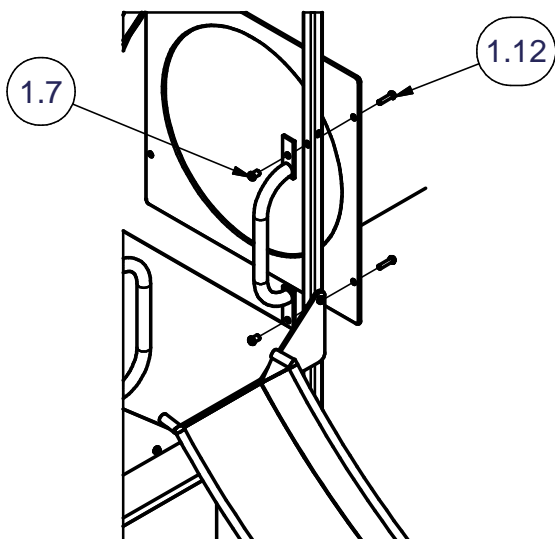
Looking from the front, the left hand handhold's lower mounting hole **must** be in the centre of the plate. The right hand handhold's fixing is the reverse of this.



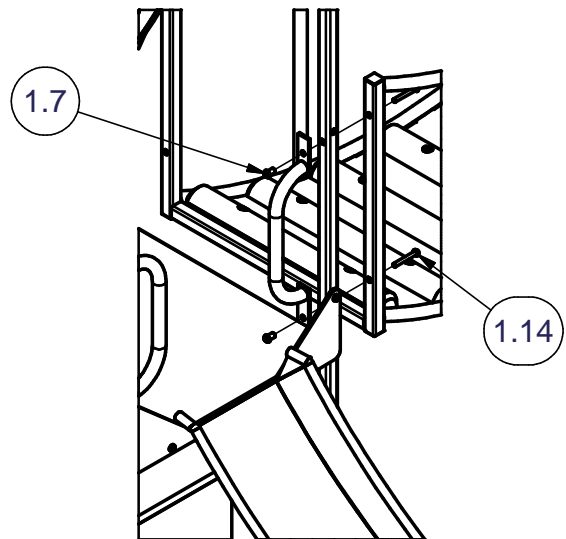
Handhold with frame fixings



Handhold with Panel fixings



Handhold with Inchworm Tube fixings



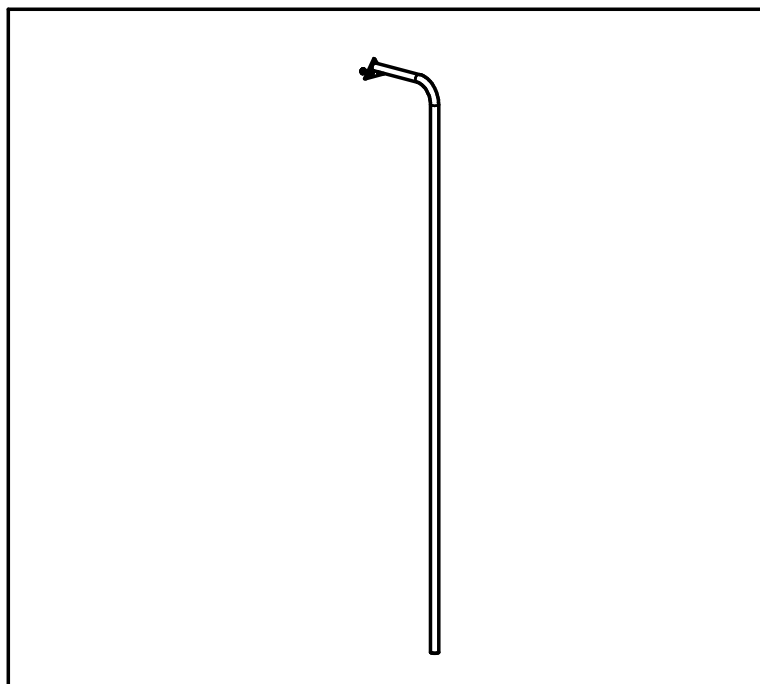
Handhold with Bridge fixings

Parts List			
ITEM	QTY	PART NUMBER	DESCRIPTION
1	1	6160-010	Wendy Slide and Handholds
1.1	1	5300-010	WENDY SLIDE CHUTE ASSY
1.2	2	3014-334	SLIDE PEDESTAL TUBE
1.3	2	3031-010	SPRAGGING IRON
1.4	2	5300-024	OFF-SET HANDHOLD
1.5	2	2176-151	M8 x 16 Pent Button Head
1.6	6	2176-153	M8 x 30 Pent Button Head
1.7	6	2177-001	M8 Safety Fastener
1.8	2	2192-001	M8 Nyloc Nut
1.9	2	2176-176	M12 x 25 Pent Button Head
1.10	2	2212-002	M12 Spring Washer
1.11	2	2195-005	M12 DOME NUT

Accessory Fixings Parts List			
ITEM	QTY	PART NUMBER	DESCRIPTION
1.12	2	2176-154	M8 x 35 Pent Button Head
1.13	2	2176-155	M8 x 45 Pent Button Head
1.14	2	2176-157	M8 x 60 Pent Button Head

For Bark Fixing Use			
ITEM	QTY	PART NUMBER	DESCRIPTION
2	2	3014-335	SLIDE PEDESTAL TUBE - BARK

Installation Instructions



Nursery Rhymes	
Fireman's Ben Pole	
PROD. CODE	6160-011
SIZE	360x150x3000
AGE RANGE	3 to 5 Years
F/ FALL HEIGHT	575mm
HEAVIEST PART	Approx 5 Kg
TOTAL WEIGHT	Approx 5.5 Kg

Installation Instructions

Care must be taken in abnormal conditions

- 1 Read instructions thoroughly before commencing installation of unit.
- 2 Excavate foundation as shown in the plans.
- 3 Place Pole on bricks in excavated foundations and attach to tower as shown

Note: M8 bolts to be torqued to 18 Nm (13 lbft).

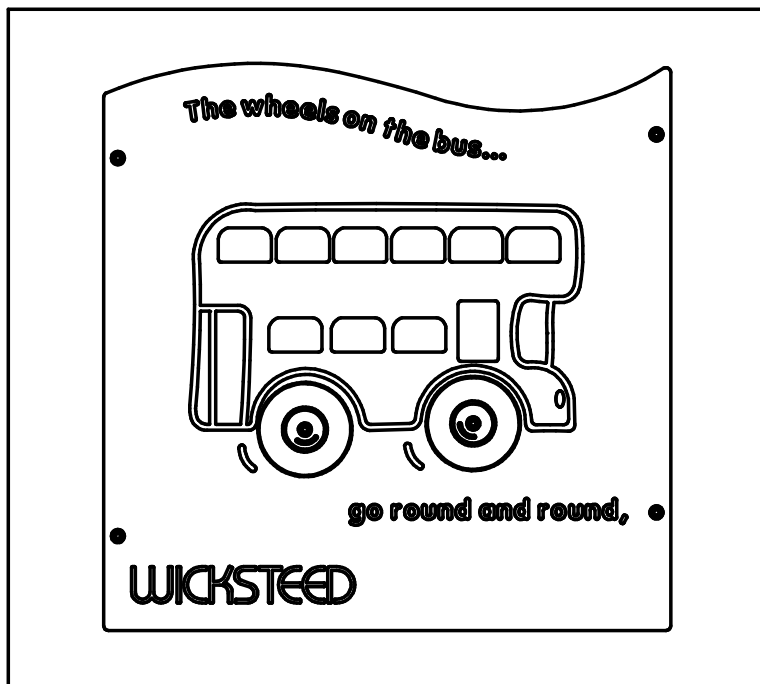
- 4 When the unit is fully assembled and all fixings secure, backfill foundations with 0.035m³ of concrete (4 parts gravel/2 parts sand/1 part cement)
- 5 Allow concrete to set for 48 hours

Parts List			
ITEM	QTY	PART NUMBER	DESCRIPTION
1	1	6160-011	Fireman's Ben Pole
1.1	1	5300-011	Fireman's Ben Pole W.A.
1.2	2	2176-153	M8 x 30 Pent Button Head
1.3	2	2177-001	M8 Safety Fastener

For Bark Fixing Use			
ITEM	QTY	PART NUMBER	DESCRIPTION
2	1	5071-003	BELOW GROUND ASSY
3	1	3031-010	SPRAGGING IRON
4	2	2175-134	M12 x 25 LG HEX HD SCREW

Note:- 1. Ensure all installation aids are removed before first use.
 2. Lifting Equipment or sufficient manpower should be used throughout installation.

Installation Instructions



Nursery Rhymes	
Wheels on the Bus Panel	
PROD. CODE	6160-054
SIZE	600x620x12
AGE RANGE	3 to 5 Years
F/ FALL HEIGHT	N/A
HEAVIEST PART	Approx 6 Kg
TOTAL WEIGHT	Approx 10 Kg

Installation Instructions

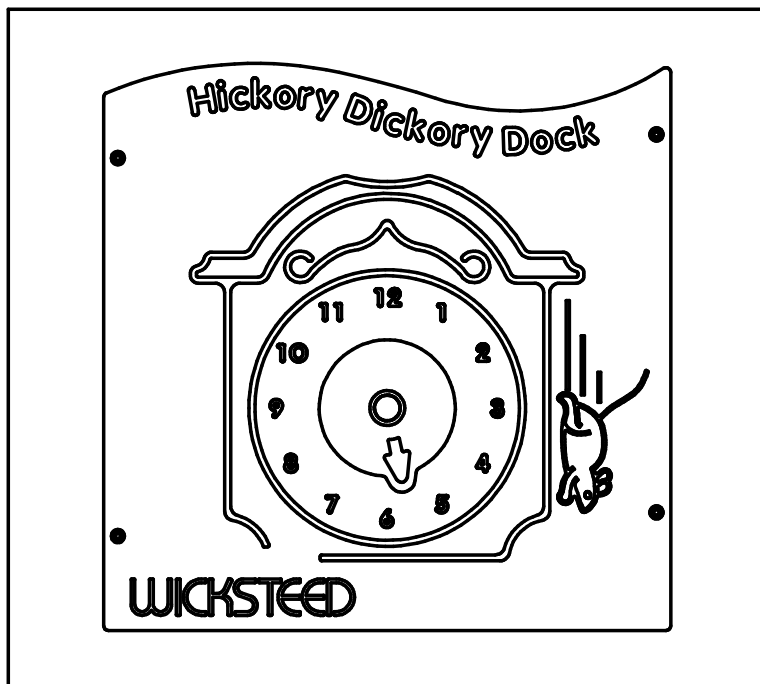
Care must be taken in abnormal conditions

- 1 Read instructions thoroughly before commencing installation of unit.
- 2 Fit the barrier to the tower uprights using fixings

Parts List			
ITEM	QTY	PART NUMBER	DESCRIPTION
1	1	6160-054	Wheels on the Bus Panel
1.1	1	5021-208	Wheels on the Bus Panel Assembly
1.2	4	2176-154	M8 x 35 Pent Button Head
1.3	4	2177-001	M8 Safety Fastener
Alternative Fixing if Slide Handhold is fitted on same Tower Upright			
ITEM	QTY	PART NUMBER	DESCRIPTION
1.4	2	2176-155	M8 x 45 Pent Button Head

Note:- 1. Ensure all installation aids are removed before first use.
 2. Lifting Equipment or sufficient manpower should be used throughout installation.

Installation Instructions



Nursery Rhymes	
Hickory Dickory Dock Panel	
PROD. CODE	6160-055
SIZE	600x620x12
AGE RANGE	3 to 5 Years
F/ FALL HEIGHT	N/A
HEAVIEST PART	Approx 6 Kg
TOTAL WEIGHT	Approx 10 Kg

Installation Instructions

Care must be taken in abnormal conditions

- 1 Read instructions thoroughly before commencing installation of unit.
- 2 Fit the barrier to the tower uprights using fixings

Parts List			
ITEM	QTY	PART NUMBER	DESCRIPTION
1	1	6160-055	Hickory Dickory Dock Panel
1.1	1	5021-207	Hickory Dickory Dock Panel Assembly
1.2	4	2176-154	M8 x 35 Pent Button Head
1.3	4	2177-001	M8 Safety Fastener
Alternative Fixing if Slide Handhold is fitted on same Tower Upright			
ITEM	QTY	PART NUMBER	DESCRIPTION
1.4	2	2176-155	M8 x 45 Pent Button Head

Note:- 1. Ensure all installation aids are removed before first use.
 2. Lifting Equipment or sufficient manpower should be used throughout installation.