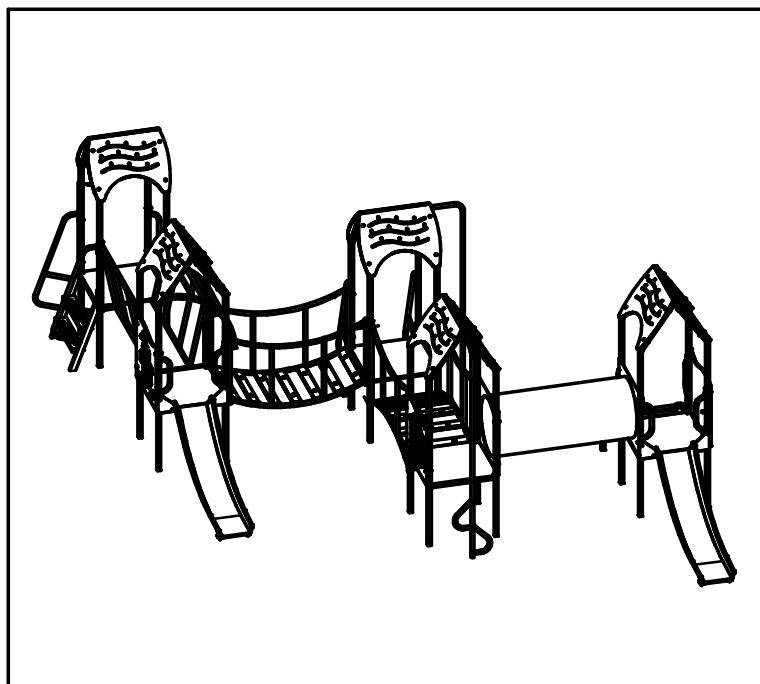


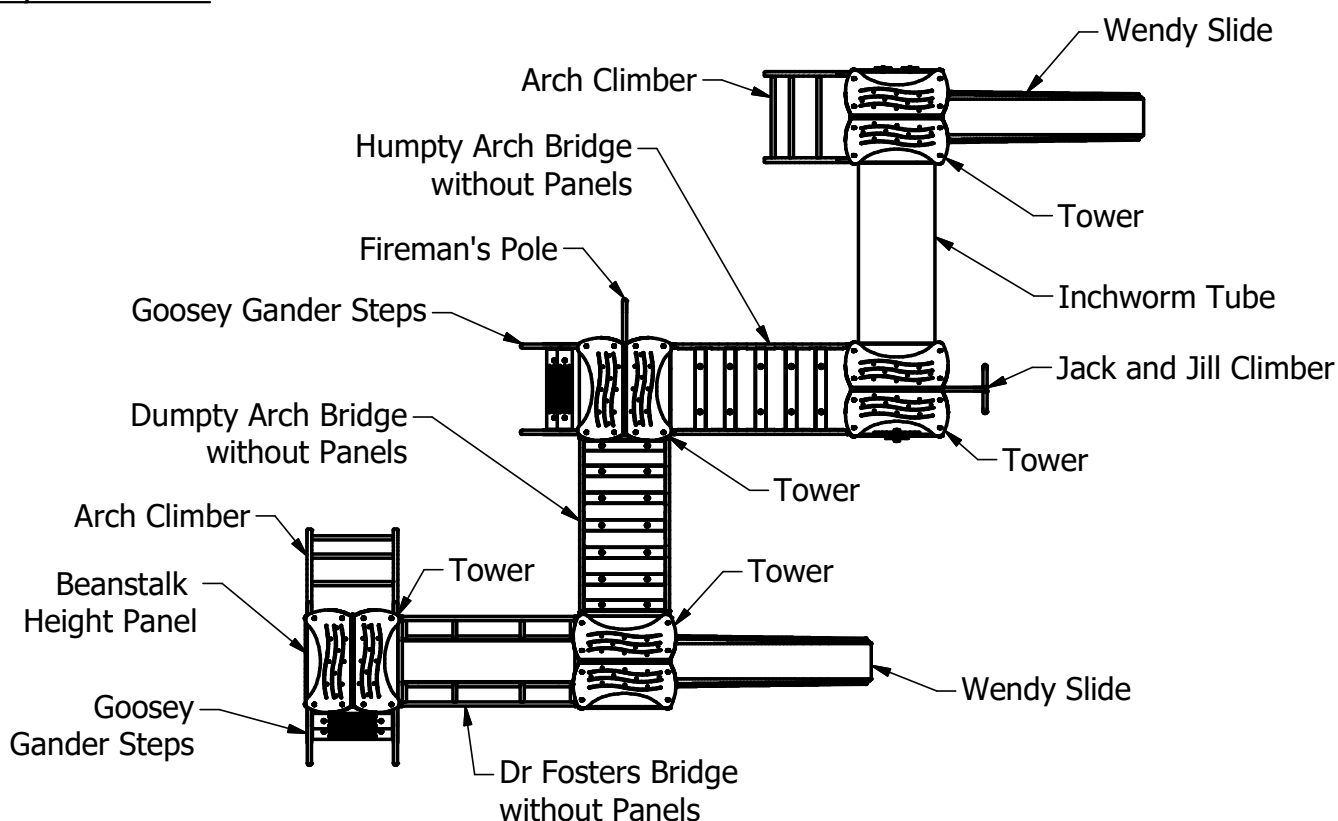
# Installation Instructions



| Nursery Rhymes |                |
|----------------|----------------|
| King Cole      |                |
| PROD. CODE     | 616-KING       |
| SIZE           | 5555x1995x4625 |
| AGE RANGE      | 3 to 5 Years   |
| F/ FALL HEIGHT | <600mm         |
| HEAVIEST PART  | See Attached   |
| TOTAL WEIGHT   | See Attached   |

**WICKSTEED**  
100 YEARS OF PLAY  
SINCE 1918

## Layout Details



## General Installation Instructions

- 1 Read instructions thoroughly before commencing installation of unit. For additional instruction on each unit see appropriate sheets attached.
- 2 Note:- In accordance with 6.1.3 EN1176-1:2008 we recommend that slides do not face south or near due south due to heat build up.
- 3 Excavate foundations as shown in the foundation plan.

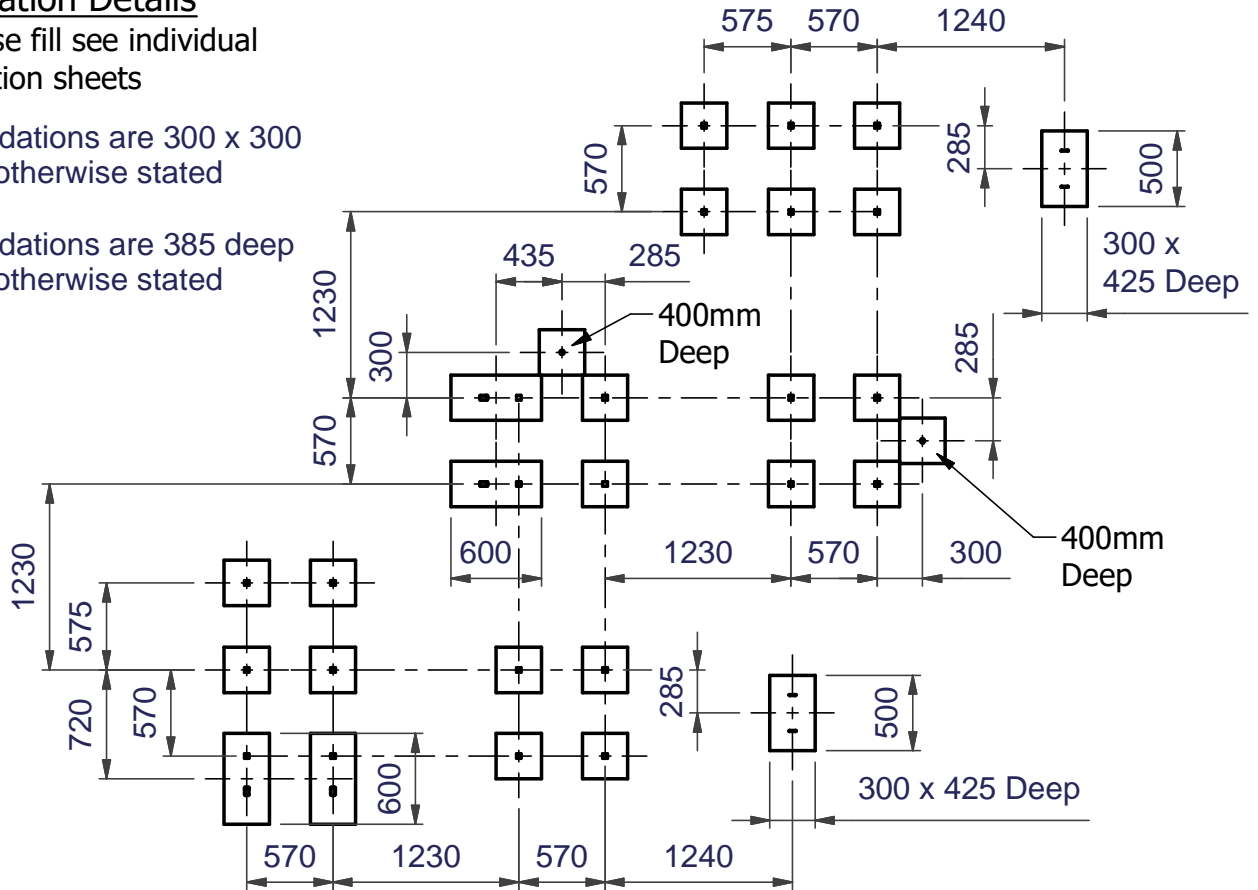
Note:- 1. Ensure all installation aids are removed before first use.  
2. Lifting Equipment or sufficient manpower should be used throughout installation.

## Foundation Details

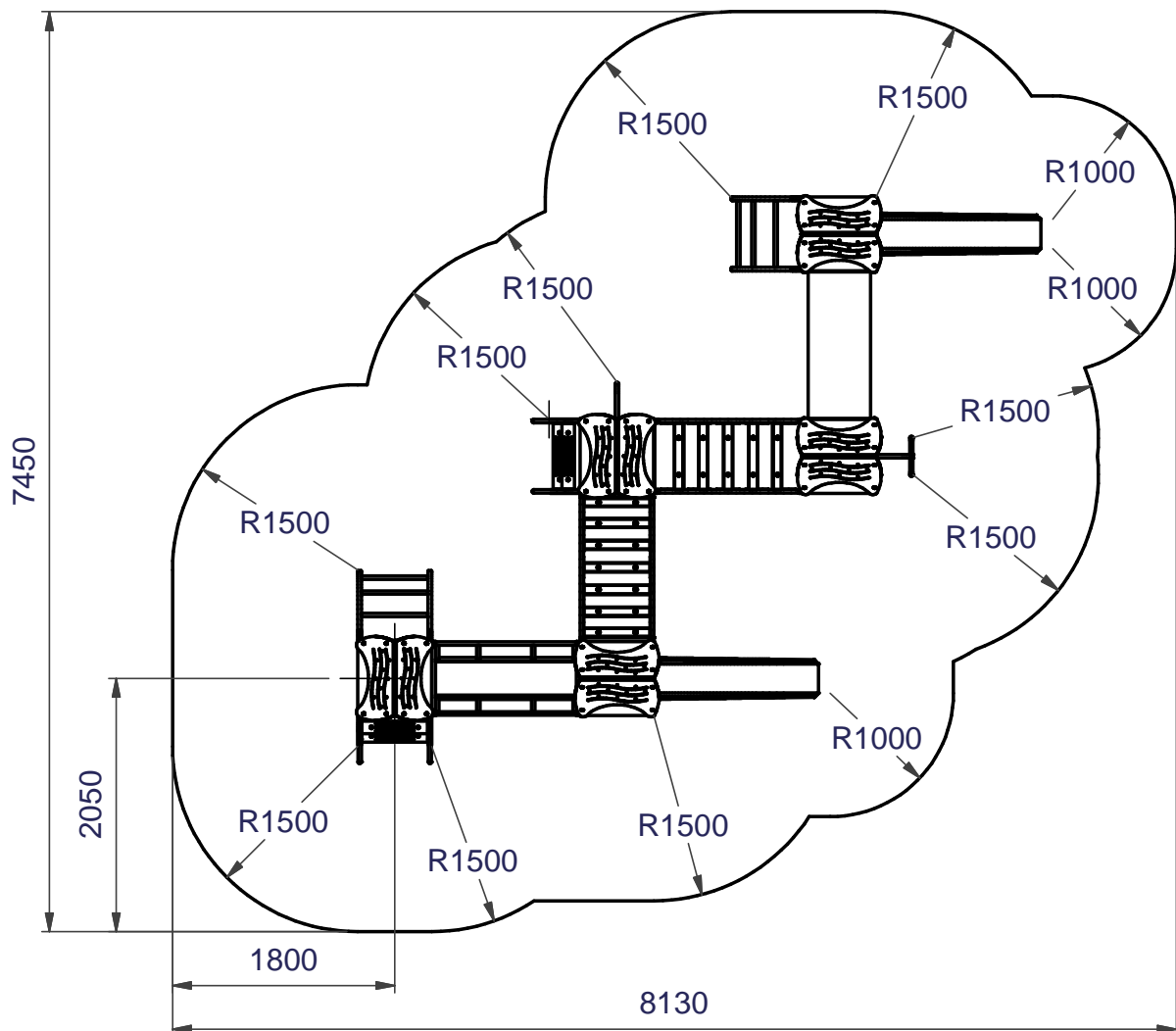
For loose fill see individual installation sheets

All foundations are 300 x 300 unless otherwise stated

All foundations are 385 deep unless otherwise stated



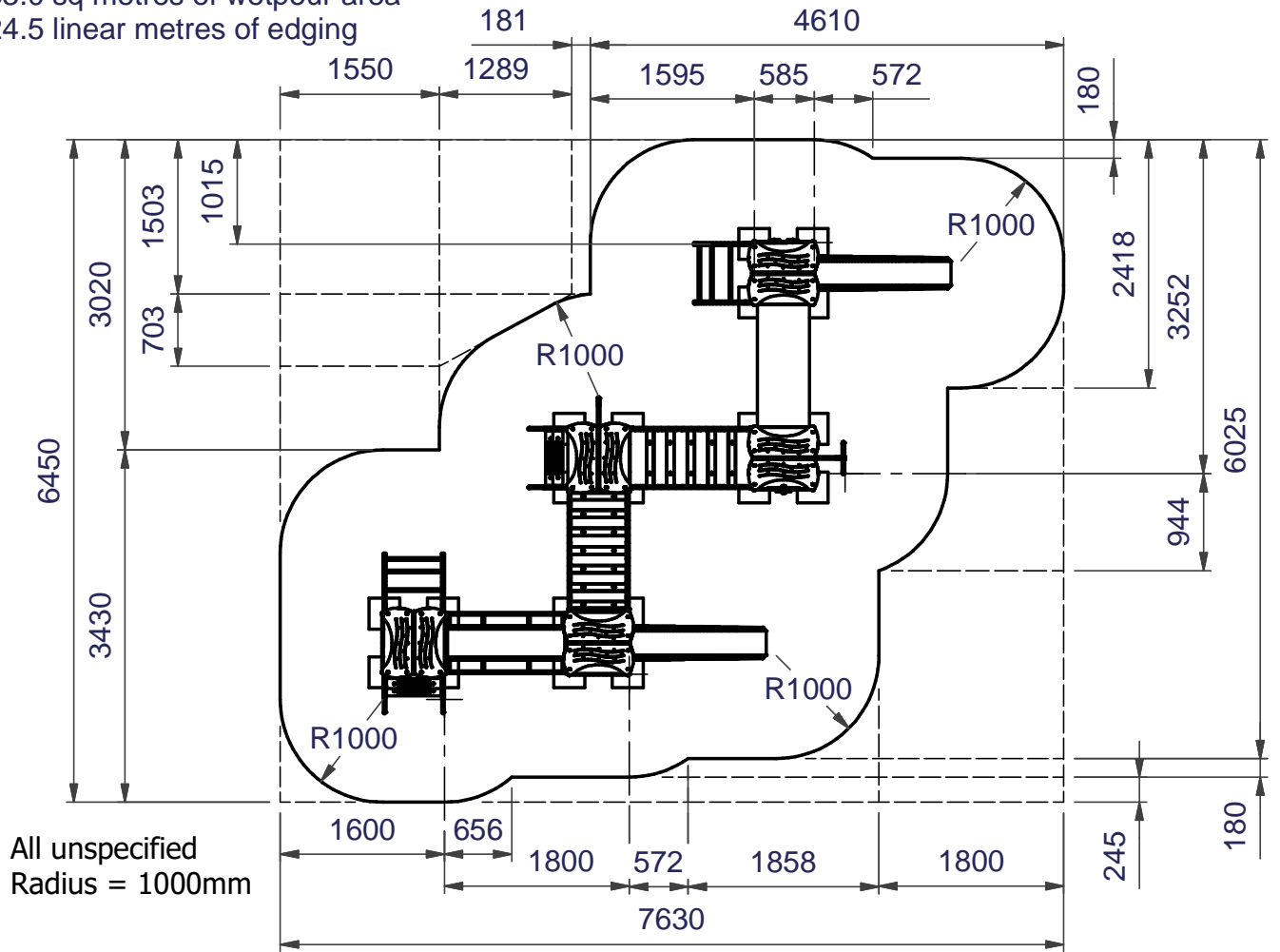
## Minimum Space



**Wetpour Details** Max FFH=600mm

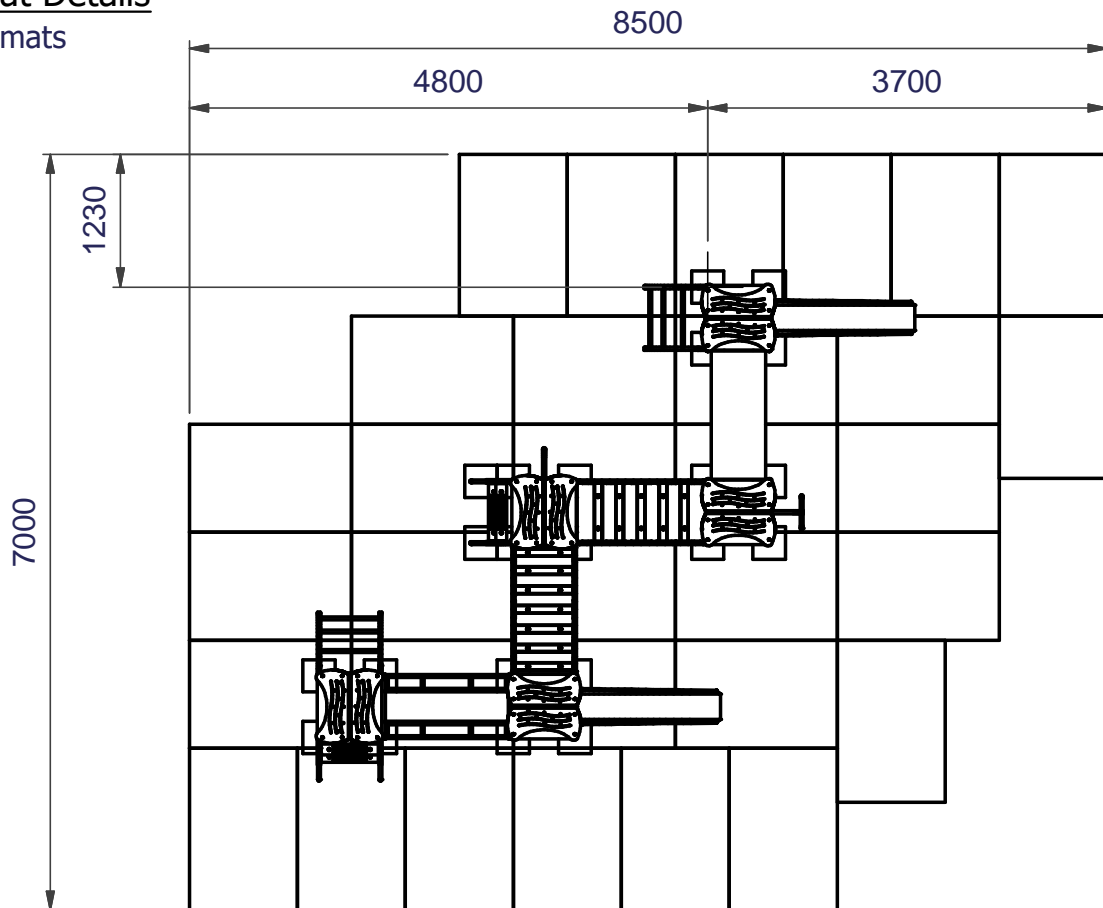
33.0 sq metres of wetpour area

24.5 linear metres of edging

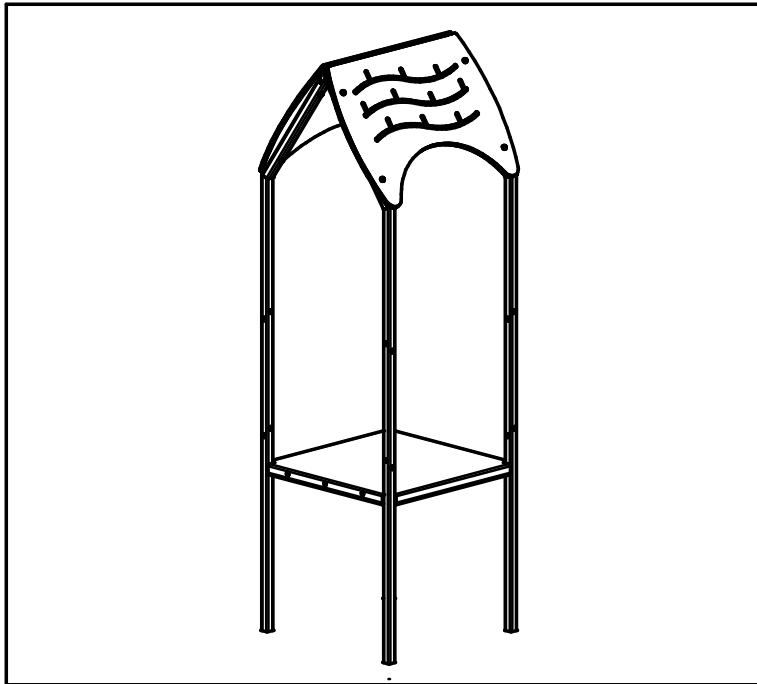


**Grass Mat Details**

32 Grass mats



# Installation Instructions



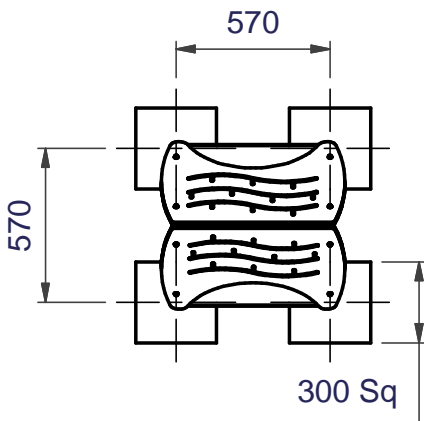
## Nursery Rhymes

Rapunzel tower with curved roof

|                |              |
|----------------|--------------|
| PROD. CODE     | 6160-060     |
| SIZE           | 600x600x2300 |
| AGE RANGE      | 3 to 5 Years |
| F/ FALL HEIGHT | 575mm        |
| HEAVIEST PART  | Approx 38 Kg |
| TOTAL WEIGHT   | Approx 51 Kg |



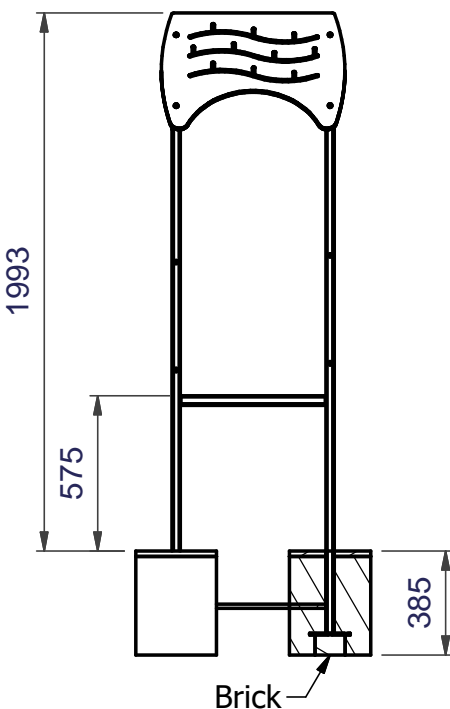
100 YEARS OF PLAY  
- SINCE 1918 -



### Installation Instructions

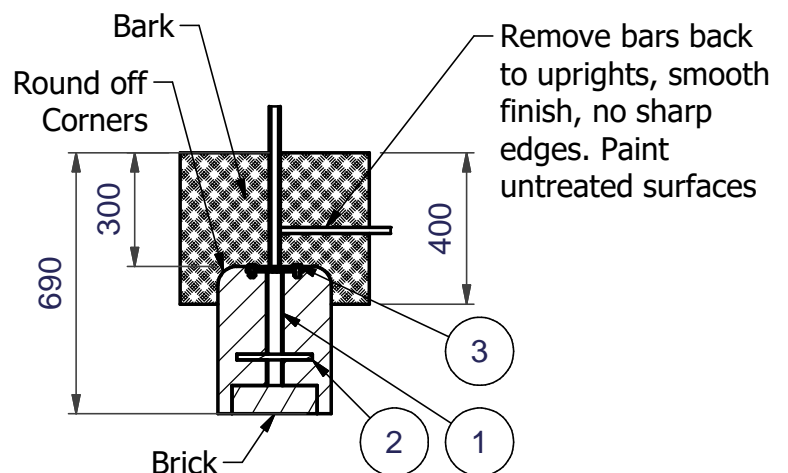
Care must be taken in abnormal conditions

- 1 Read instructions thoroughly before commencing installation of unit.
- 2 Excavate foundation as shown in the plans.
- 3 Place Tower on bricks in excavated foundations as shown
- 4 Backfill foundations with 0.13m<sup>3</sup> of concrete (4 parts gravel/2 parts sand/1 part cement)
- 5 Allow concrete to set for 48 hours



### For Bark Fixing Use

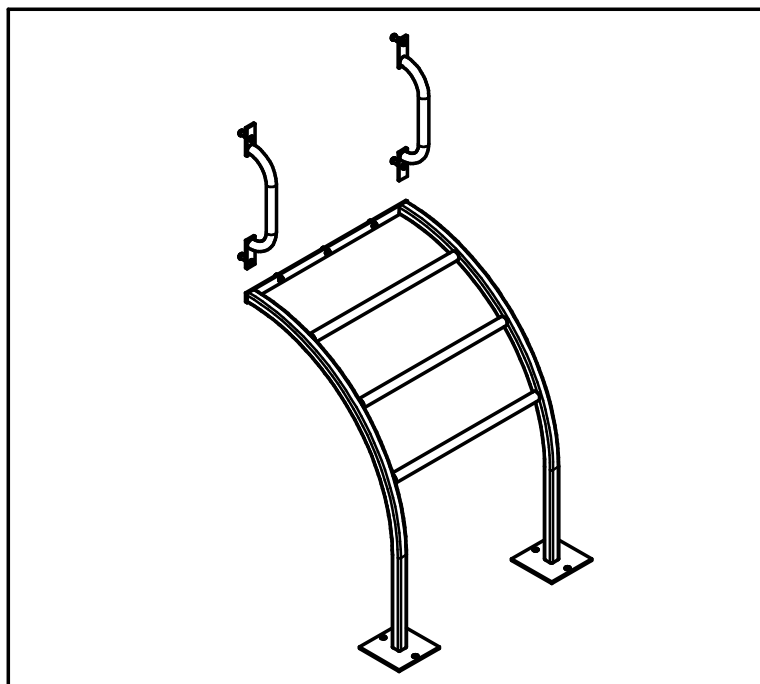
| ITEM | QTY | PART NUMBER | DESCRIPTION              |
|------|-----|-------------|--------------------------|
| 1    | 4   | 5071-003    | BELOW GROUND ASSY        |
| 2    | 4   | 3031-010    | SPRAGGING IRON           |
| 3    | 8   | 2175-134    | M12 x 25 LG HEX HD SCREW |



Note:- 1. Ensure all installation aids are removed before first use.

2. Lifting Equipment or sufficient manpower should be used throughout installation.

# Installation Instructions



| Nursery Rhymes |              |
|----------------|--------------|
| Arch Climber   |              |
| PROD. CODE     | 6160-013     |
| SIZE           | 600x600x600  |
| AGE RANGE      | 3 to 5 Years |
| F/ FALL HEIGHT | 575mm        |
| HEAVIEST PART  | Approx 9 Kg  |
| TOTAL WEIGHT   | Approx 15 Kg |

**WICKSTEED**  
100 YEARS OF PLAY  
- SINCE 1918 -

### Installation Instructions

Care must be taken in abnormal conditions

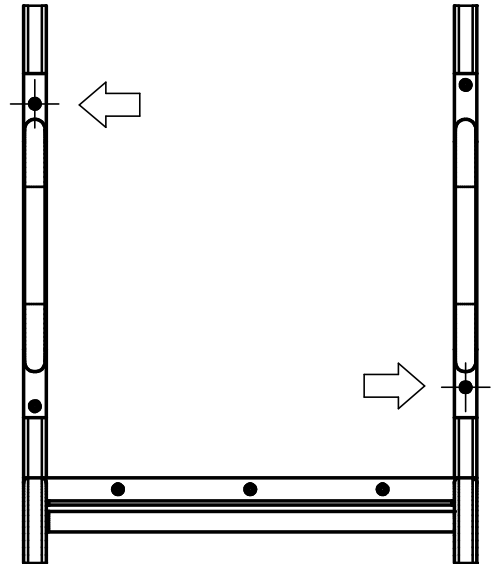
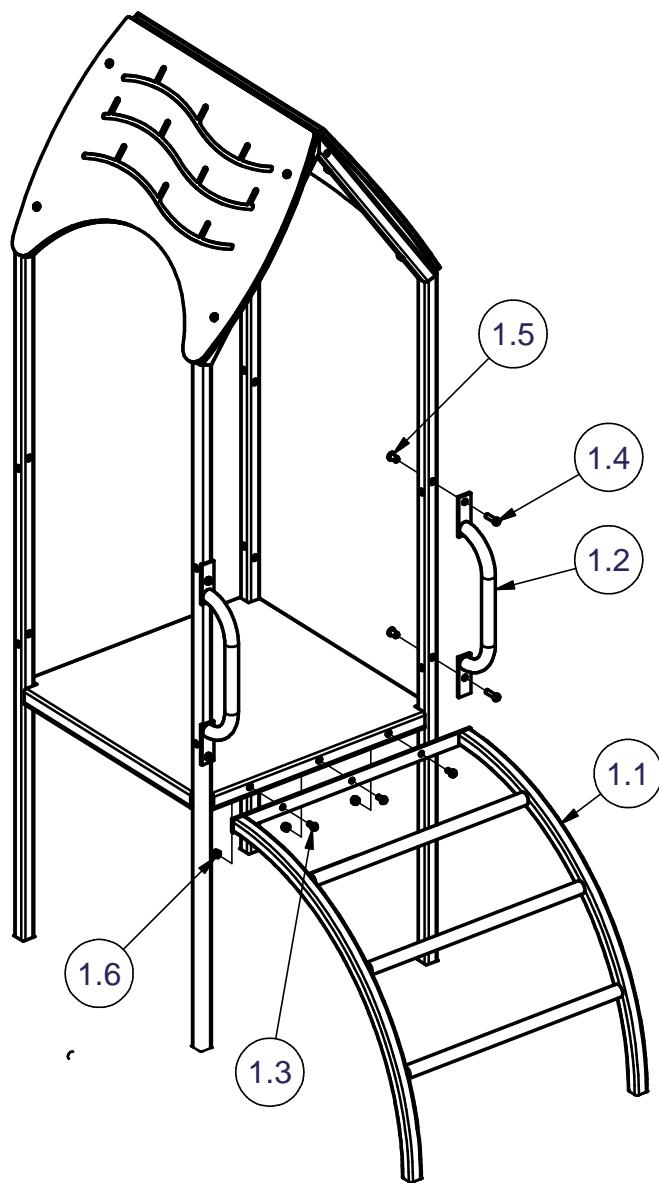
- 1 Read instructions thoroughly before commencing installation of unit.
- 2 Excavate foundation as shown in the plans.
- 3 Position the climber on bricks in the hole, ensuring its plumb, square, at the correct height, distance and orientation and fix to tower as shown.
- 4 Secure the climber to the deck using M8 x 16 Pent Button Head Screws and M8 Nuts.

**NOTE:- It is important to line up the handholds correctly.** Secure Handholds using using M8 x 30 Pent Button Head Screws and M8 Safety Fasteners. See sheet 2 for details.

Note: M8 bolts to be torqued to 18 Nm (13 lbft).

- 5 Backfill with 0.062 cubic m concrete (4 parts gravel/2 parts sand/1 part cement).
- 6 Allow concrete to set for 48 hours.

Note:- 1. Ensure all installation aids are removed before first use.  
2. Lifting Equipment or sufficient manpower should be used throughout installation.



**NOTE:-**

**It is important to line up the handholds correctly**

Looking from the front, the left hand handhold's upper mounting hole **must** be in the centre of the plate. The right hand handhold's fixing is the reverse of this.

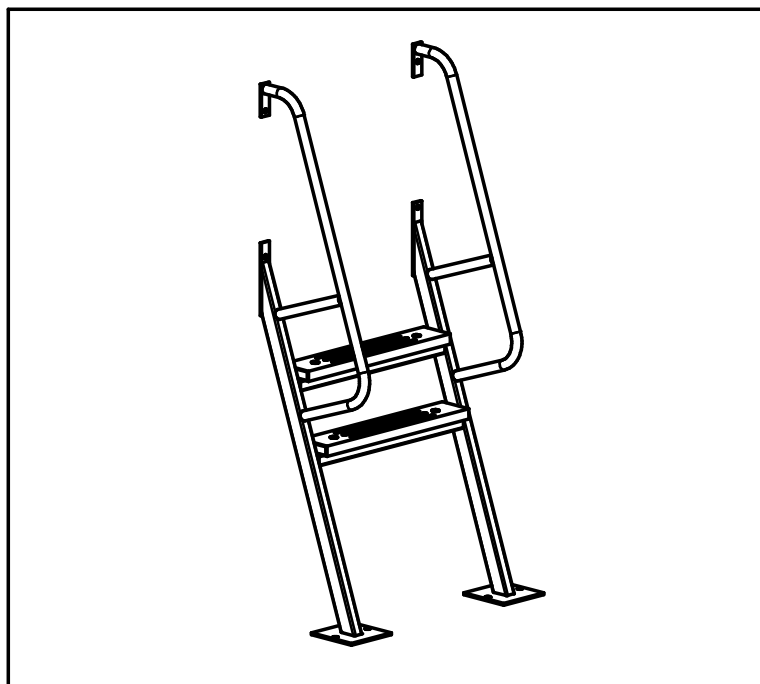
**Parts List**

| ITEM | QTY | PART NUMBER | DESCRIPTION              |
|------|-----|-------------|--------------------------|
| 1    | 1   | 6160-013    | Arch Climber             |
| 1.1  | 1   | 5300-013    | ARCH CLIMBER             |
| 1.2  | 2   | 5300-024    | OFF-SET HANDHOLD         |
| 1.3  | 3   | 2176-151    | M8 x 16 Pent Button Head |
| 1.4  | 4   | 2176-153    | M8 x 30 Pent Button Head |
| 1.5  | 4   | 2177-001    | M8 Safety Fastener       |
| 1.6  | 3   | 2192-001    | M8 Nyloc Nut             |

**For Bark Fixing Use**

| ITEM | QTY | PART NUMBER | DESCRIPTION              |
|------|-----|-------------|--------------------------|
| 2    | 2   | 5071-003    | BELOW GROUND ASSY        |
| 3    | 2   | 3031-010    | SPRAGGING IRON           |
| 4    | 4   | 2175-134    | M12 x 25 LG HEX HD SCREW |

# Installation Instructions



| Nursery Rhymes      |                |
|---------------------|----------------|
| Goosey Gander Steps |                |
| PROD. CODE          | 6160-067       |
| SIZE                | 600x390x1150mm |
| AGE RANGE           | 3 to 5 Years   |
| F/ FALL HEIGHT      | <600mm         |
| HEAVIEST PART       | Approx 17 Kg   |
| TOTAL WEIGHT        | Approx 20 Kg   |

### Installation Instructions

Care must be taken in abnormal conditions

- 1 Read instructions thoroughly before commencing installation of unit.
- 2 Excavate foundation as shown in the plans.
- 3 Place ladder on bricks in excavated foundations and attach to tower uprights as shown
- 4 When the unit is fully assembled and all fixings secure, backfill foundations with 0.06m<sup>3</sup> of concrete (4 parts gravel/2 parts sand/1 part cement)
- 5 Allow concrete to set for 48 hours

#### Parts List

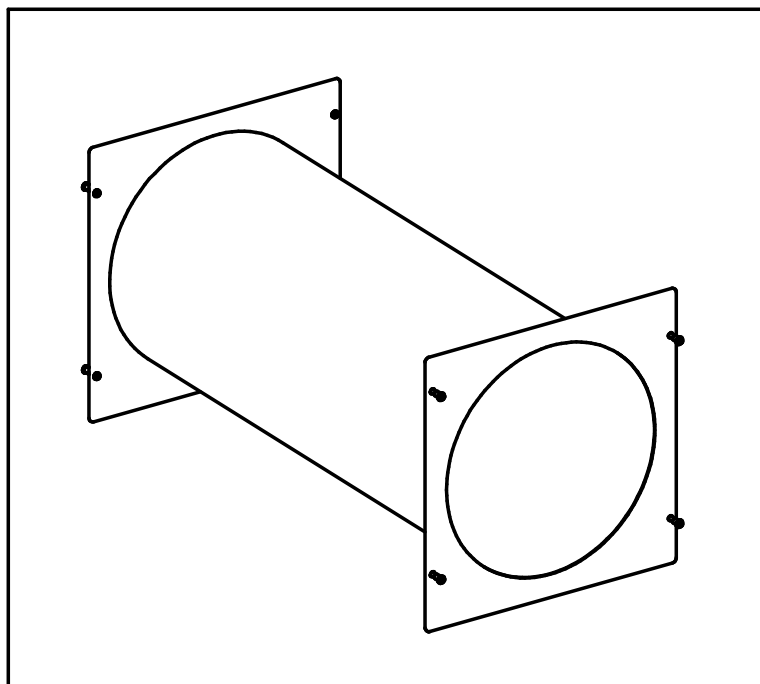
| ITEM | QTY | PART NUMBER | DESCRIPTION                   |
|------|-----|-------------|-------------------------------|
| 1    | 1   | 6160-067    | GOOSEY GANDER LADDER          |
| 1.1  | 1   | 5300-056    | GOOSEY GANDER LADDER ASSEMBLY |
| 1.2  | 4   | 2176-153    | M8 x 30 Pent Button Head      |
| 1.3  | 4   | 2177-001    | M8 Safety Fastener            |


For Bark Fixing Use

| ITEM | QTY | PART NUMBER | DESCRIPTION              |
|------|-----|-------------|--------------------------|
| 3    | 2   | 5071-003    | BELOW GROUND ASSY        |
| 4    | 4   | 2175-134    | M12 x 25 LG HEX HD SCREW |
| 5    | 2   | 3031-010    | SPRAGGING IRON           |

**Note:-** 1. Ensure all installation aids are removed before first use.  
 2. Lifting Equipment or sufficient manpower should be used throughout installation.

# Installation Instructions



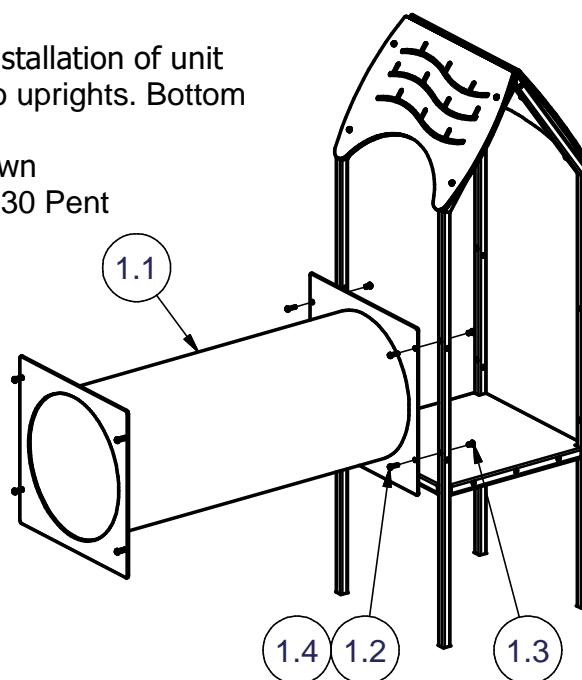
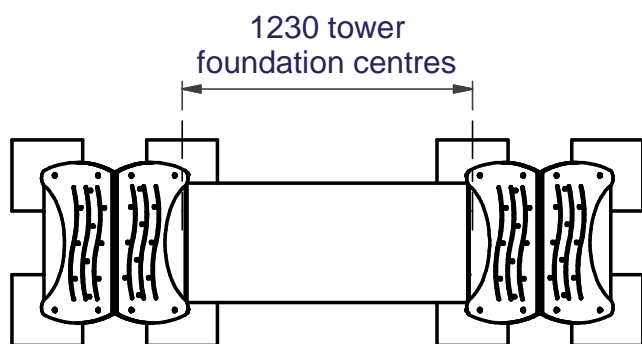
|  |                |
|--|----------------|
| <b>Nursery Rhymes</b>  |                |
| <b>Inchworm Tube</b>   |                |
| PROD. CODE   | 6160-007       |
| SIZE   | 600x600x1200   |
| AGE RANGE  | 3 to 5 Years   |
| F/ FALL HEIGHT   | 575mm          |
| HEAVIEST PART  | Approx 42 Kg   |
| TOTAL WEIGHT   | Approx 42.5 Kg |
| <br><small>100 YEARS OF PLAY<br/>- SINCE 1918 -</small> |                |

## Installation Instructions

Care must be taken in abnormal conditions

- 1 Read instructions thoroughly before commencing installation of unit
- 2 Ensure Tunnel is orientated correctly when fitting to uprights. Bottom of Tunnel end plates should be flush to deck.
- 3 Support bridge and attach to tower uprights as shown
- 4 Secure the tunnel to the uprights using using M8 x 30 Pent Button Head Screws and M8 Safety Fasteners.

Note: M8 bolts to be torqued to 18 Nm (13 lbft).



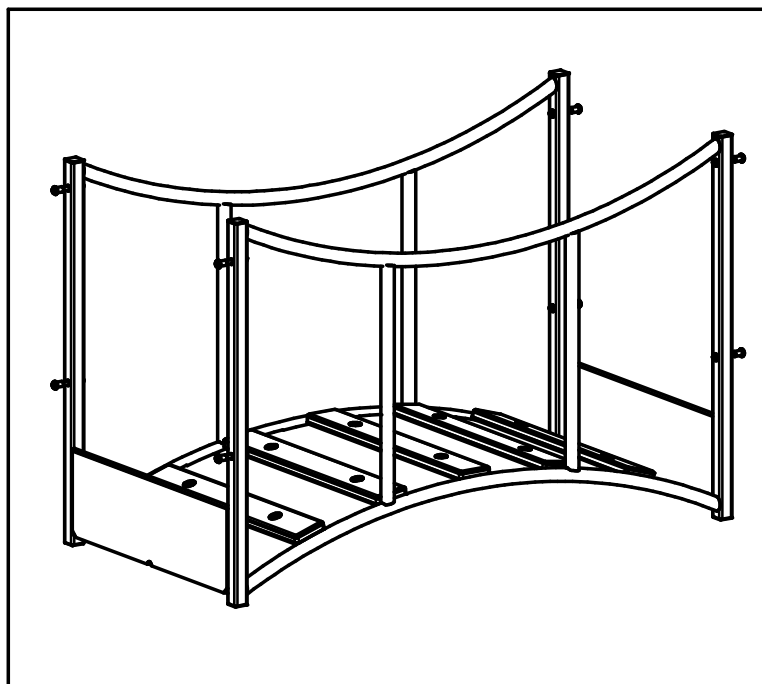
### Parts List


| ITEM   | QTY | PART NUMBER | DESCRIPTION              |
|--|-----|-------------|--------------------------|
| 1  | 1   | 6160-007    | Inchworm Tube            |
| 1.1  | 1   | 4200-370    | Inchworm Tube            |
| 1.2  | 8   | 2176-153    | M8 x 30 Pent Button Head |
| 1.3  | 8   | 2177-001    | M8 Safety Fastener       |
| Alternative Fixing if Slide Handhold is fitted on same Tower Upright |     |             |                          |
| ITEM   | QTY | PART NUMBER | DESCRIPTION              |
| 1.4  | 2   | 2176-154    | M8 x 35 Pent Button Head |

Note:- 1. Ensure all installation aids are removed before first use.

2. Lifting Equipment or sufficient manpower should be used throughout installation.

# Installation Instructions

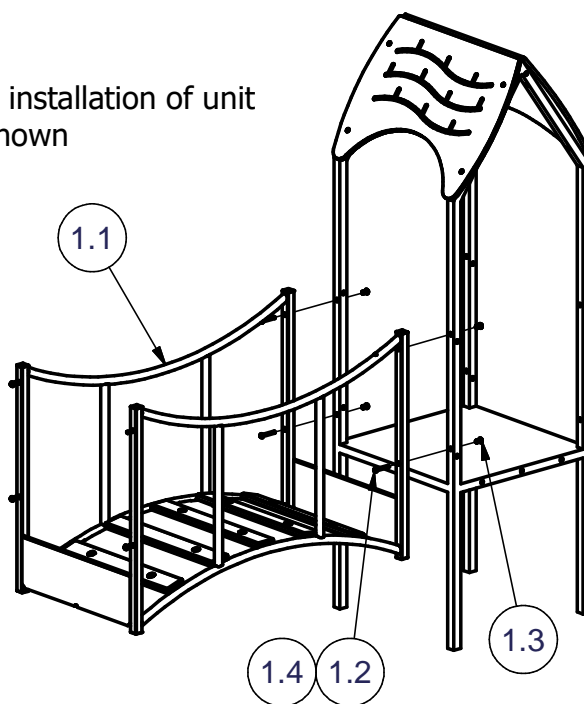
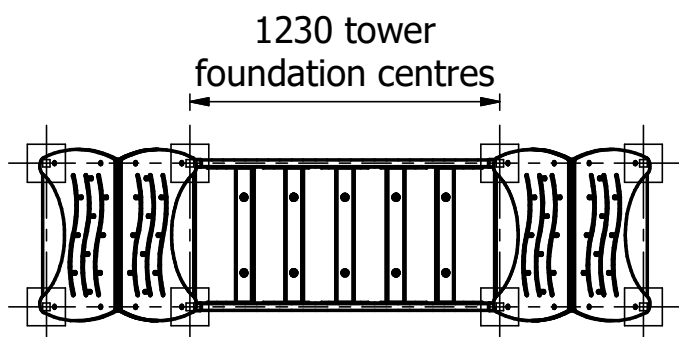


|   |                |
|---|----------------|
| <b>Nursery Rhymes</b>   |                |
| <b>Humpty Bridge</b>  |                |
| PROD. CODE  | 6160-063       |
| SIZE  | 600x1200x790   |
| AGE RANGE   | 3 to 5 Years   |
| F/ FALL HEIGHT  | <600mm         |
| HEAVIEST PART   | Approx 37 Kg   |
| TOTAL WEIGHT  | Approx 45.5 Kg |
|  |                |

## Installation Instructions

Care must be taken in abnormal conditions

- 1 Read instructions thoroughly before commencing installation of unit
- 2 Support bridge and attach to tower uprights as shown

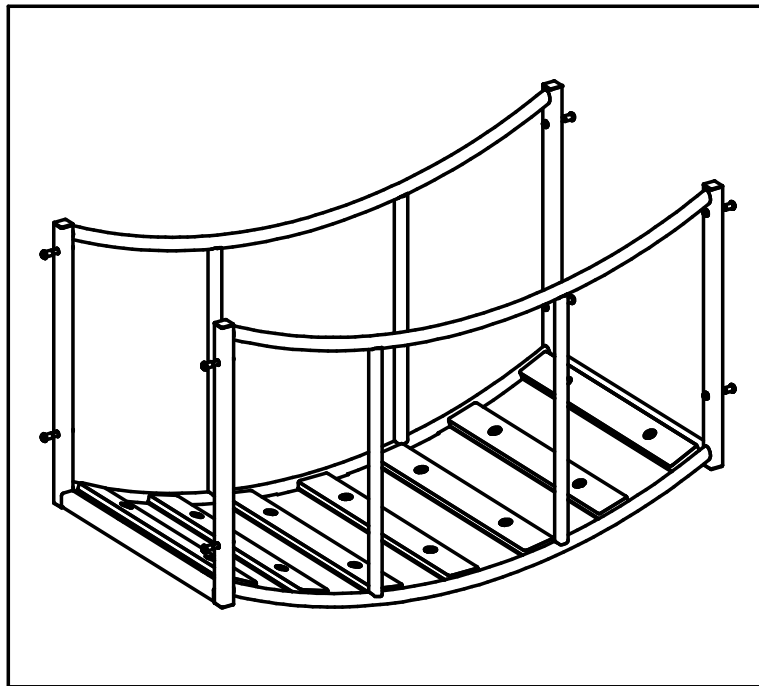



### Parts List

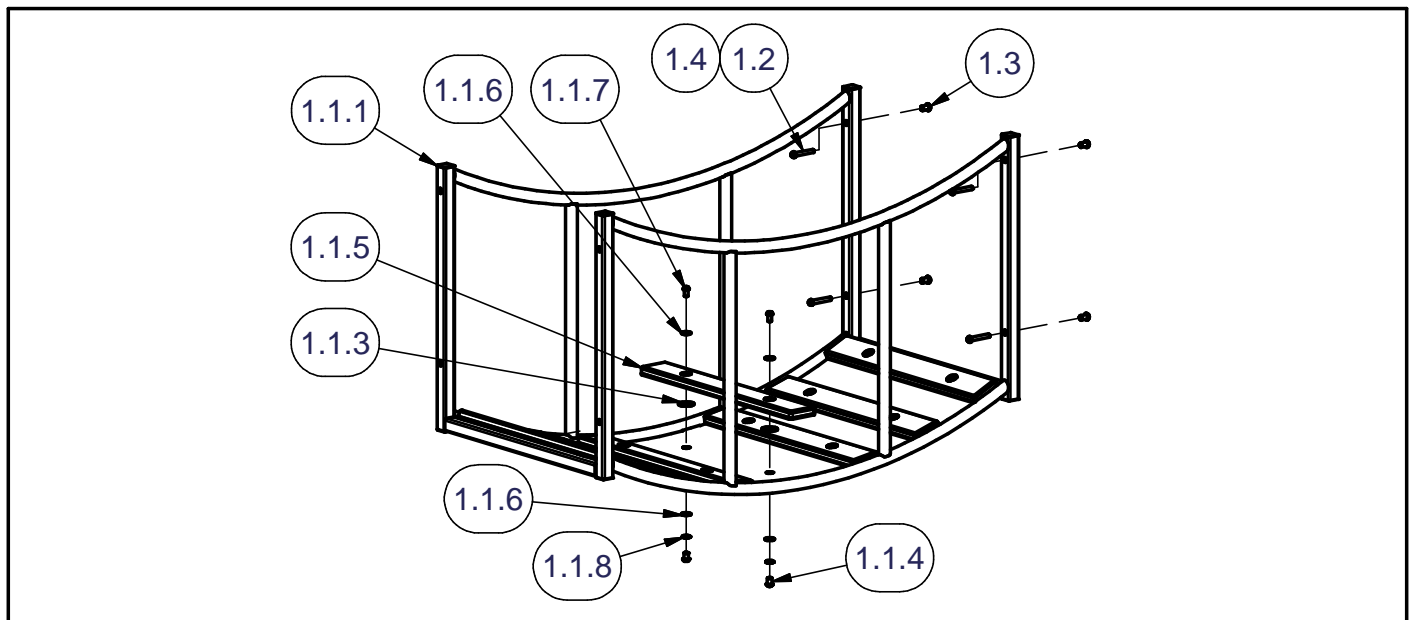
| ITEM   | QTY | PART NUMBER | DESCRIPTION              |
|--|-----|-------------|--------------------------|
| 1  | 1   | 6160-063    | HUMPTY BRIDGE            |
| 1.1  | 1   | 5300-057    | HUMPTY BRIDGE ASSEMBLY   |
| 1.2  | 8   | 2176-156    | M8 x 55 Pent Button Head |
| 1.3  | 8   | 2177-001    | M8 Safety Fastener       |
| Alternative Fixing if Slide Handhold is fitted on same Tower Upright |     |             |                          |
| ITEM   | QTY | PART NUMBER | DESCRIPTION              |
| 1.4  | 2   | 2176-157    | M8 x 60 Pent Button Head |

Note:- 1. Ensure all installation aids are removed before first use.  
2. Lifting Equipment or sufficient manpower should be used throughout installation.

# Maintenance Instructions



|  |                |
|--|----------------|
| <b>Nursery Rhymes</b>  |                |
| <b>Dumpty Bridge</b>   |                |
| PROD. CODE   | 6160-064       |
| SIZE   | 600x1200x730   |
| AGE RANGE  | 3 to 5 Years   |
| F/ FALL HEIGHT   | <600mm         |
| HEAVIEST PART  | Approx 34 Kg   |
| TOTAL WEIGHT   | Approx 42.5 Kg |
| <br><small>100 YEARS OF PLAY<br/>SINCE 1918</small> |                |



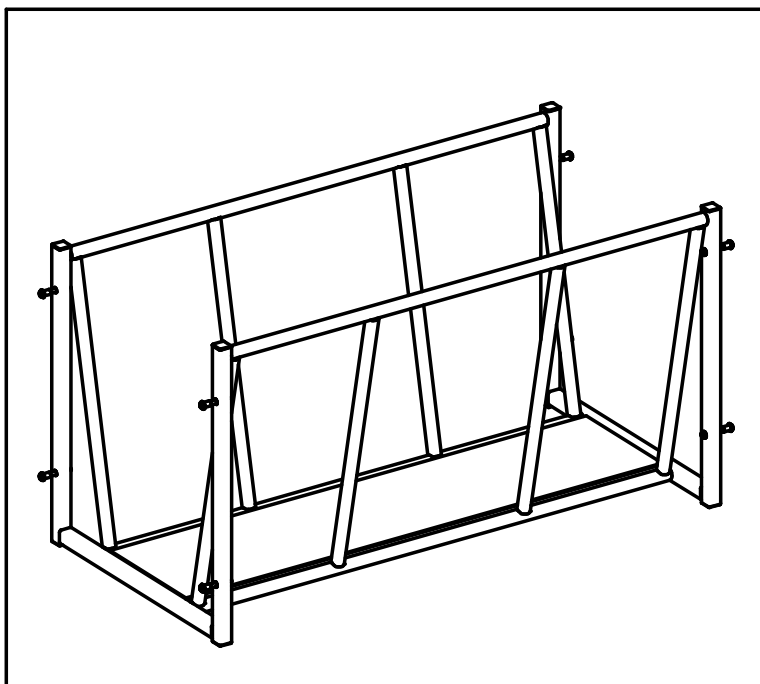
## Parts List


| ITEM  | QTY | PART NUMBER | DESCRIPTION                 |
|-------|-----|-------------|-----------------------------|
| 1     | 1   | 6160-064    | DUMPTY BRIDGE               |
| 1.1   | 1   | 5300-058    | DUMPTY BRIDGE ASSEMBLY      |
| 1.1.1 | 1   | 5300-043    | WELDED DUMPTY BRIDGE        |
| 1.1.3 | 14  | 2900-041    | NEOPRENE WASHER             |
| 1.1.4 | 14  | 2177-004    | M8 Short Safety Fastener    |
| 1.1.5 | 7   | 3756-375    | HDPE Step Slat (540mm Long) |
| 1.1.6 | 28  | 2215-508    | M10 Washer                  |
| 1.1.7 | 14  | 2176-151    | M8 x 16 Pent Button Head    |
| 1.1.8 | 14  | 2212-212    | M10 NORD LOCK WASHER        |
| 1.2   | 8   | 2176-156    | M8 x 55 Pent Button Head    |
| 1.3   | 8   | 2177-001    | M8 Safety Fastener          |

## Alternative Fixing if Slide Handhold is fitted on same Tower Upright

| ITEM | QTY | PART NUMBER | DESCRIPTION              |
|------|-----|-------------|--------------------------|
| 1.4  | 2   | 2176-157    | M8 x 60 Pent Button Head |

# Installation Instructions

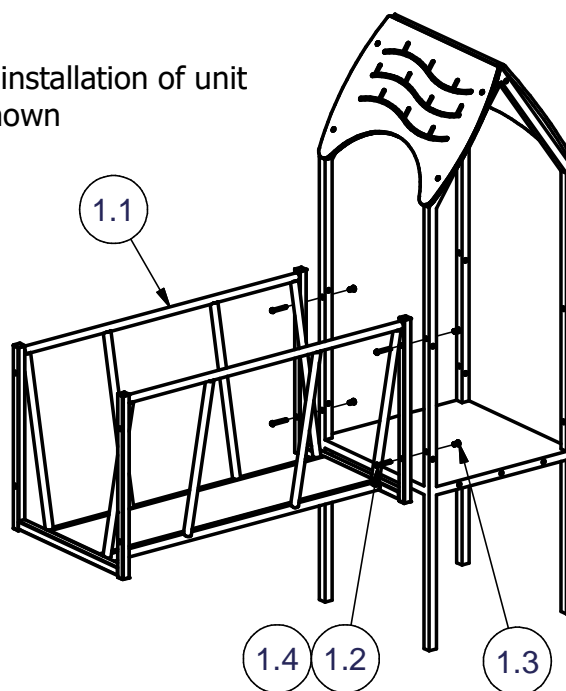
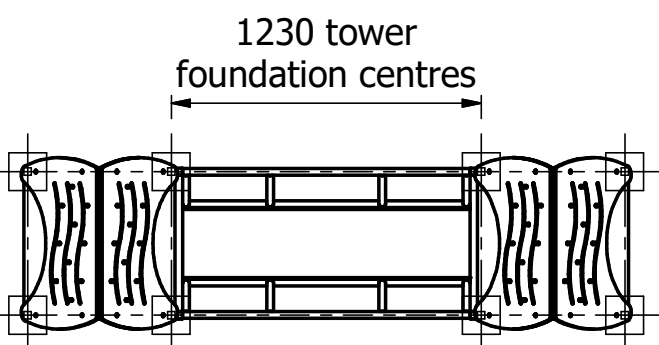


|   |                |
|---|----------------|
| <b>Nursery Rhymes</b>   |                |
| <b>Dr Foster's Bridge</b>   |                |
| PROD. CODE  | 6160-066       |
| SIZE  | 600x1200x650mm |
| AGE RANGE   | 3 to 5 Years   |
| F/ FALL HEIGHT  | <600mm         |
| HEAVIEST PART   | Approx 35 Kg   |
| TOTAL WEIGHT  | Approx 35.5 Kg |
|  |                |

## Installation Instructions

Care must be taken in abnormal conditions

- 1 Read instructions thoroughly before commencing installation of unit
- 2 Support bridge and attach to tower uprights as shown

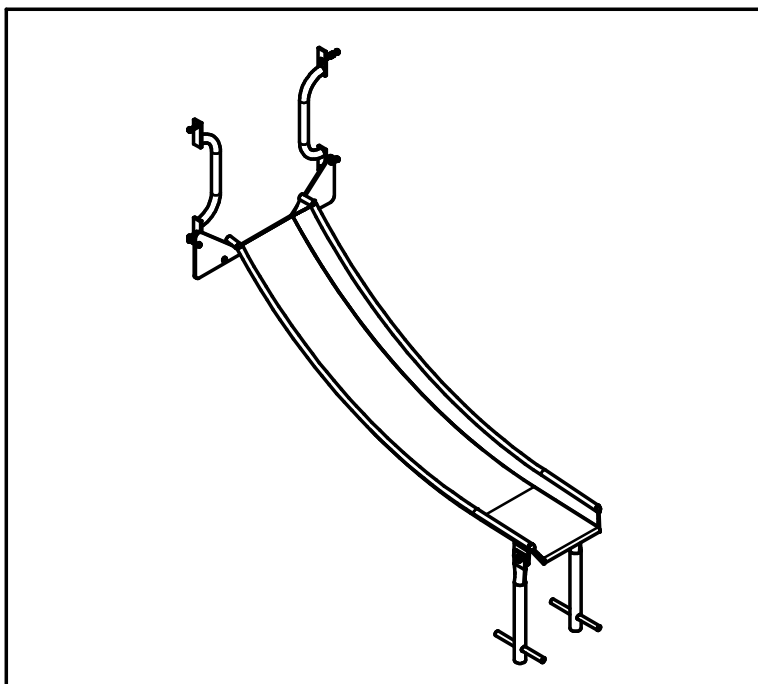


### Parts List

| ITEM   | QTY | PART NUMBER | DESCRIPTION              |
|--|-----|-------------|--------------------------|
| 1  | 1   | 6160-066    | DR FOSTER'S BRIDGE       |
| 1.1  | 1   | 5300-041    | WELDED DR FOSTER BRIDGE  |
| 1.2  | 8   | 2176-156    | M8 x 55 Pent Button Head |
| 1.3  | 8   | 2177-001    | M8 Safety Fastener       |
| Alternative Fixing if Slide Handhold is fitted on same Tower Upright |     |             |                          |
| ITEM   | QTY | PART NUMBER | DESCRIPTION              |
| 1.4  | 2   | 2176-157    | M8 x 60 Pent Button Head |

Note:- 1. Ensure all installation aids are removed before first use.  
2. Lifting Equipment or sufficient manpower should be used throughout installation.

# Installation Instructions

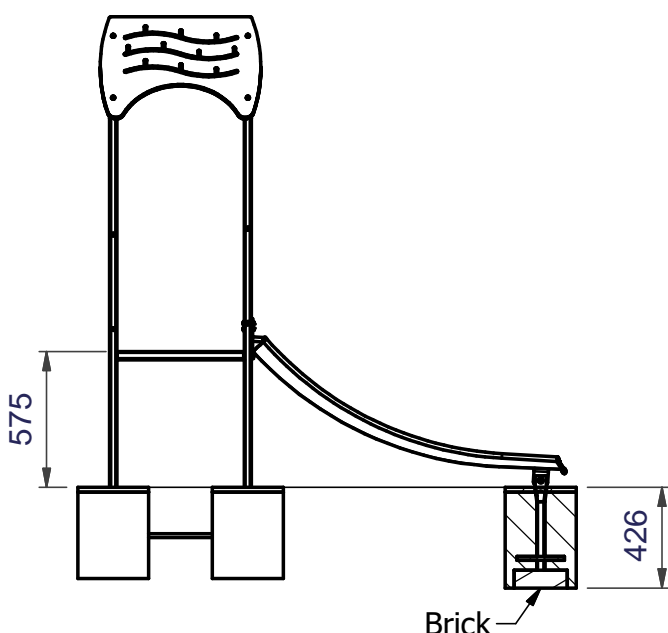
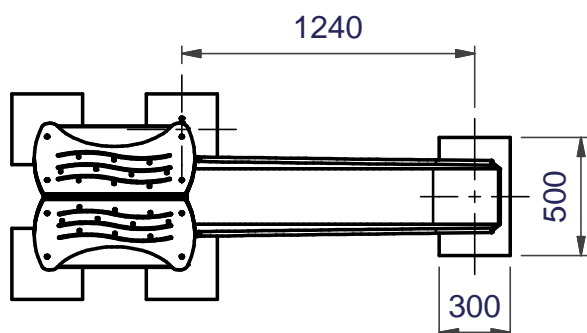


| Nursery Rhymes<br>Wendy Slide |              |
|-------------------------------|--------------|
| PROD. CODE                    | 6160-010     |
| SIZE                          | 600x600x1340 |
| AGE RANGE                     | 3 to 5 Years |
| F/ FALL HEIGHT                | 575mm        |
| HEAVIEST PART                 | Approx 15 Kg |
| TOTAL WEIGHT                  | Approx 27 Kg |

**WICKSTEED**  
100 YEARS OF PLAY  
- SINCE 1918 -

## Note:-

In accordance with 6.1.3 EN1176-1:2008 we recommend that slides do not face south or near due south due to heat build up.



## Installation Instructions

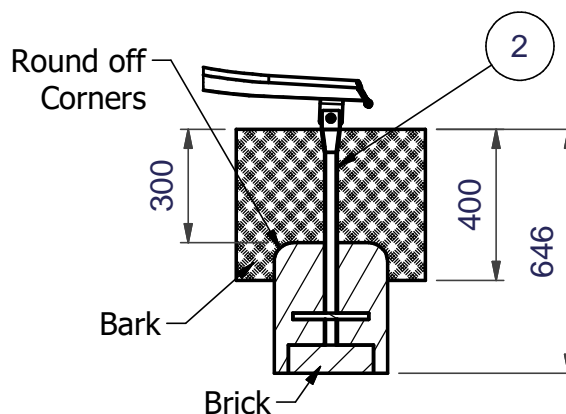
Care must be taken in abnormal conditions

- 1 Read instructions thoroughly before commencing installation of unit.
- 2 Excavate foundation as shown in the plans.
- 3 Secure pedestal tube to slide.
- 4 Position the slide on bricks in the hole, ensuring its plumb, square, at the correct height, distance and orientation and fix to tower as shown.
- 5 Secure the chute to the deck using M8 x 16 Pent Button Head Screws and M8 Nuts and M8 x 30 Pent Button Head Screws and M8 Safety Fasteners.

**NOTE:-It is important to line up the handholds correctly.** Secure Handholds using fixings detailed on sheet 2.

Note: M8 bolts to be torqued to 18 Nm (13 lbf).

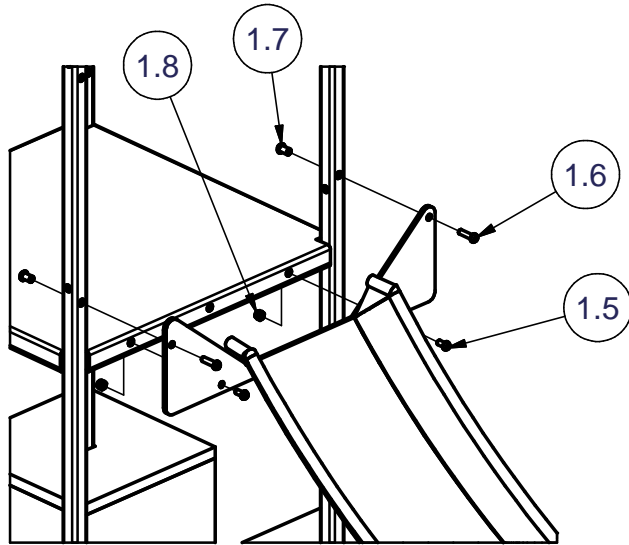
- 6 Backfill with 0.062 cubic m concrete (4 parts gravel/2 parts sand/1 part cement).
- 7 Allow concrete to set for 48 hours.



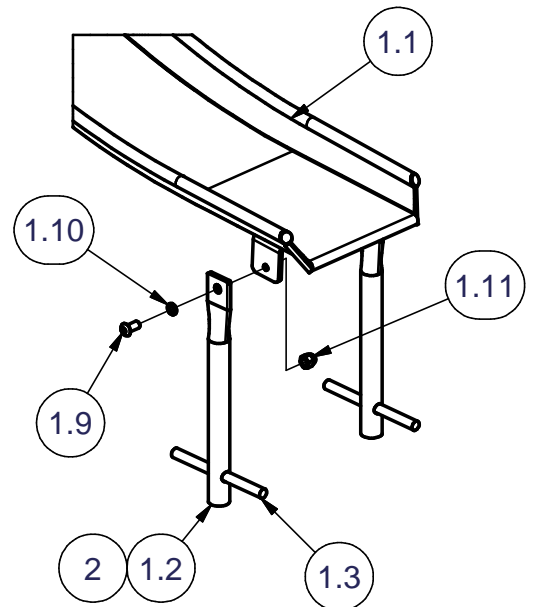
Note:- 1. Ensure all installation aids are removed before first use.

2. Lifting Equipment or sufficient manpower should be used throughout installation.

**Chute to Tower Fixings**



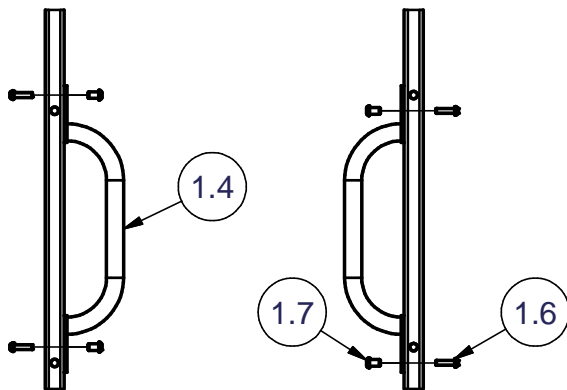
**Pedestal to Chute Fixings**



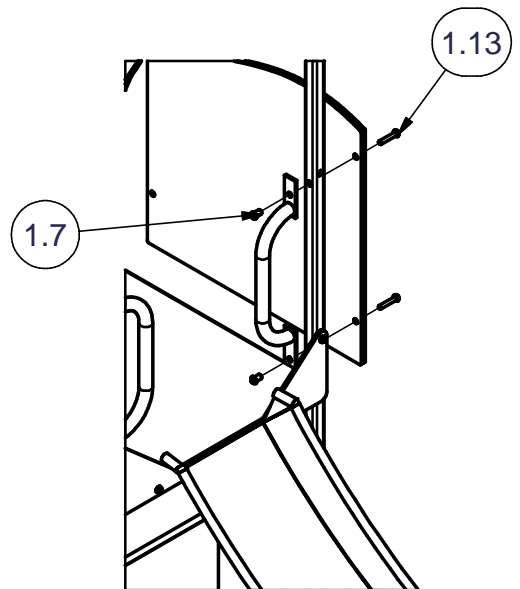
**NOTE:-**

**It is important to line up the handholds correctly**

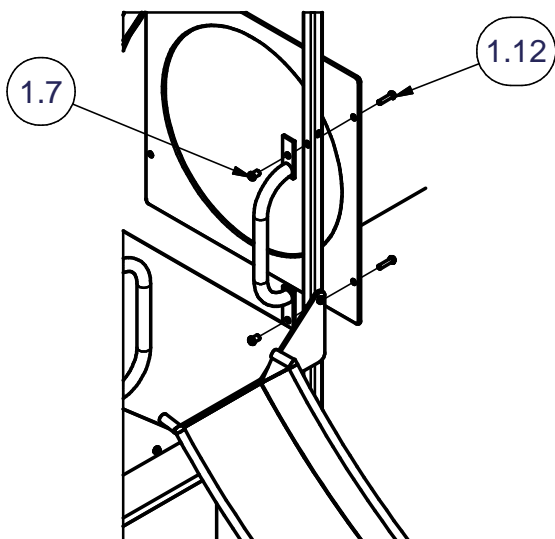
Looking from the front, the left hand handhold's lower mounting hole **must** be in the centre of the plate. The right hand handhold's fixing is the reverse of this.



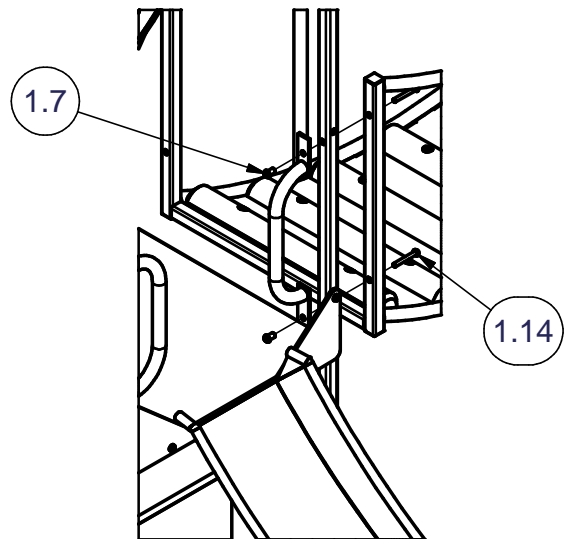
**Handhold with frame fixings**



**Handhold with Panel fixings**



**Handhold with Inchworm Tube fixings**



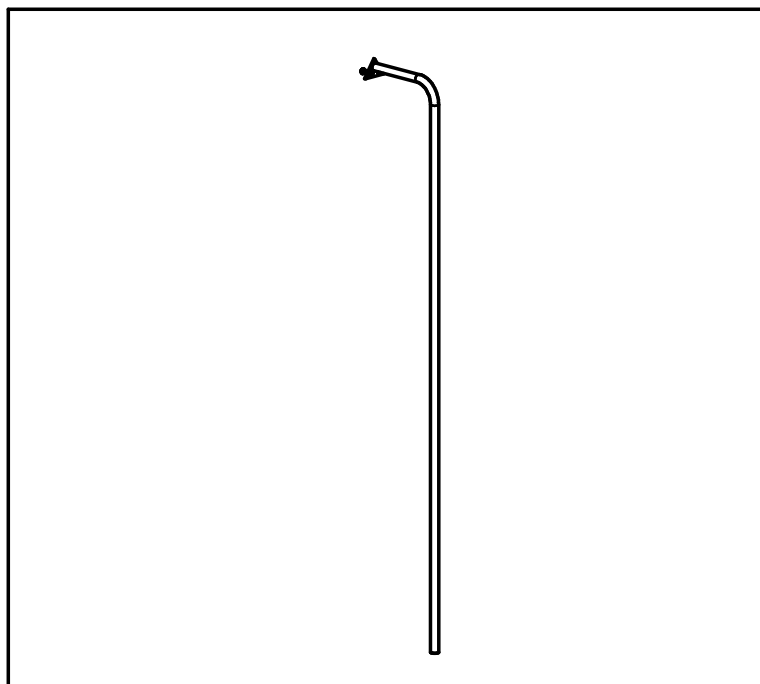
**Handhold with Bridge fixings**

| Parts List |     |             |                           |
|------------|-----|-------------|---------------------------|
| ITEM       | QTY | PART NUMBER | DESCRIPTION               |
| 1          | 1   | 6160-010    | Wendy Slide and Handholds |
| 1.1        | 1   | 5300-010    | WENDY SLIDE CHUTE ASSY    |
| 1.2        | 2   | 3014-334    | SLIDE PEDESTAL TUBE       |
| 1.3        | 2   | 3031-010    | SPRAGGING IRON            |
| 1.4        | 2   | 5300-024    | OFF-SET HANDHOLD          |
| 1.5        | 2   | 2176-151    | M8 x 16 Pent Button Head  |
| 1.6        | 6   | 2176-153    | M8 x 30 Pent Button Head  |
| 1.7        | 6   | 2177-001    | M8 Safety Fastener        |
| 1.8        | 2   | 2192-001    | M8 Nyloc Nut              |
| 1.9        | 2   | 2176-176    | M12 x 25 Pent Button Head |
| 1.10       | 2   | 2212-002    | M12 Spring Washer         |
| 1.11       | 2   | 2195-005    | M12 DOME NUT              |

| Accessory Fixings Parts List |     |             |                          |
|------------------------------|-----|-------------|--------------------------|
| ITEM                         | QTY | PART NUMBER | DESCRIPTION              |
| 1.12                         | 2   | 2176-154    | M8 x 35 Pent Button Head |
| 1.13                         | 2   | 2176-155    | M8 x 45 Pent Button Head |
| 1.14                         | 2   | 2176-157    | M8 x 60 Pent Button Head |

| For Bark Fixing Use |     |             |                            |
|---------------------|-----|-------------|----------------------------|
| ITEM                | QTY | PART NUMBER | DESCRIPTION                |
| 2                   | 2   | 3014-335    | SLIDE PEDESTAL TUBE - BARK |

# Installation Instructions



| Nursery Rhymes     |               |
|--------------------|---------------|
| Fireman's Ben Pole |               |
| PROD. CODE         | 6160-011      |
| SIZE               | 360x150x3000  |
| AGE RANGE          | 3 to 5 Years  |
| F/ FALL HEIGHT     | 575mm         |
| HEAVIEST PART      | Approx 5 Kg   |
| TOTAL WEIGHT       | Approx 5.5 Kg |

### Installation Instructions

Care must be taken in abnormal conditions

- 1 Read instructions thoroughly before commencing installation of unit.
- 2 Excavate foundation as shown in the plans.
- 3 Place Pole on bricks in excavated foundations and attach to tower as shown

Note: M8 bolts to be torqued to 18 Nm (13 lbft).

- 4 When the unit is fully assembled and all fixings secure, backfill foundations with 0.035m<sup>3</sup> of concrete (4 parts gravel/2 parts sand/1 part cement)
- 5 Allow concrete to set for 48 hours

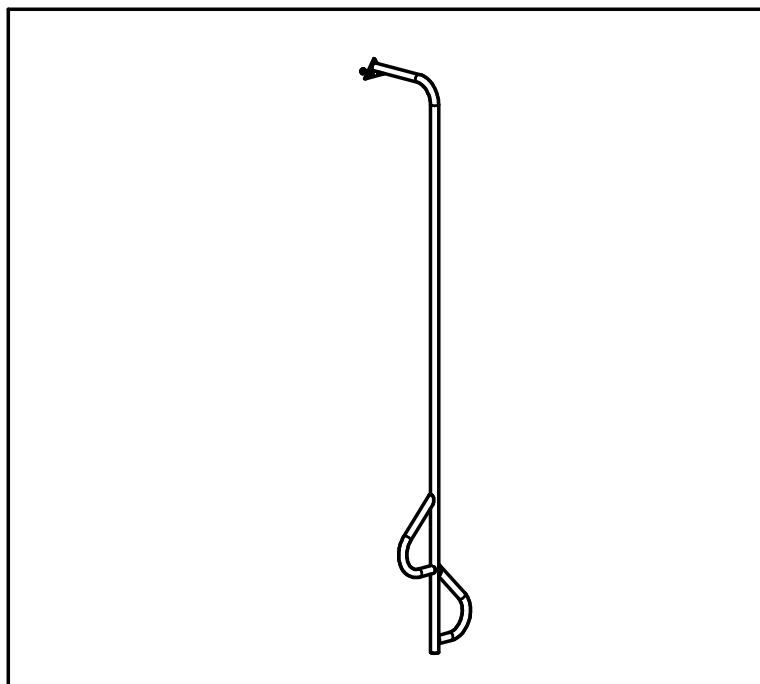
| Parts List |     |             |                          |
|------------|-----|-------------|--------------------------|
| ITEM       | QTY | PART NUMBER | DESCRIPTION              |
| 1          | 1   | 6160-011    | Fireman's Ben Pole       |
| 1.1        | 1   | 5300-011    | Fireman's Ben Pole W.A.  |
| 1.2        | 2   | 2176-153    | M8 x 30 Pent Button Head |
| 1.3        | 2   | 2177-001    | M8 Safety Fastener       |

| For Bark Fixing Use |     |             |                          |
|---------------------|-----|-------------|--------------------------|
| ITEM                | QTY | PART NUMBER | DESCRIPTION              |
| 2                   | 1   | 5071-003    | BELOW GROUND ASSY        |
| 3                   | 1   | 3031-010    | SPRAGGING IRON           |
| 4                   | 2   | 2175-134    | M12 x 25 LG HEX HD SCREW |

Note:- 1. Ensure all installation aids are removed before first use.  
 2. Lifting Equipment or sufficient manpower should be used throughout installation.

# Installation Instructions



| Nursery Rhymes          |               |
|-------------------------|---------------|
| Jack and Jill's Climber |               |
| PROD. CODE              | 6160-012      |
| SIZE                    | 360x150x3000  |
| AGE RANGE               | 3 to 5 Years  |
| F/ FALL HEIGHT          | 575mm         |
| HEAVIEST PART           | Approx 7 Kg   |
| TOTAL WEIGHT            | Approx 7.5 Kg |

300

300 Sq

575

400

Brick

### Installation Instructions

Care must be taken in abnormal conditions

- 1 Read instructions thoroughly before commencing installation of unit.
- 2 Excavate foundation as shown in the plans.
- 3 Place Pole on bricks in excavated foundations and attach to tower as shown

Note: M8 bolts to be torqued to 18 Nm (13 lbft).

- 4 When the unit is fully assembled and all fixings secure, backfill foundations with 0.035m<sup>3</sup> of concrete (4 parts gravel/2 parts sand/1 part cement)
- 5 Allow concrete to set for 48 hours

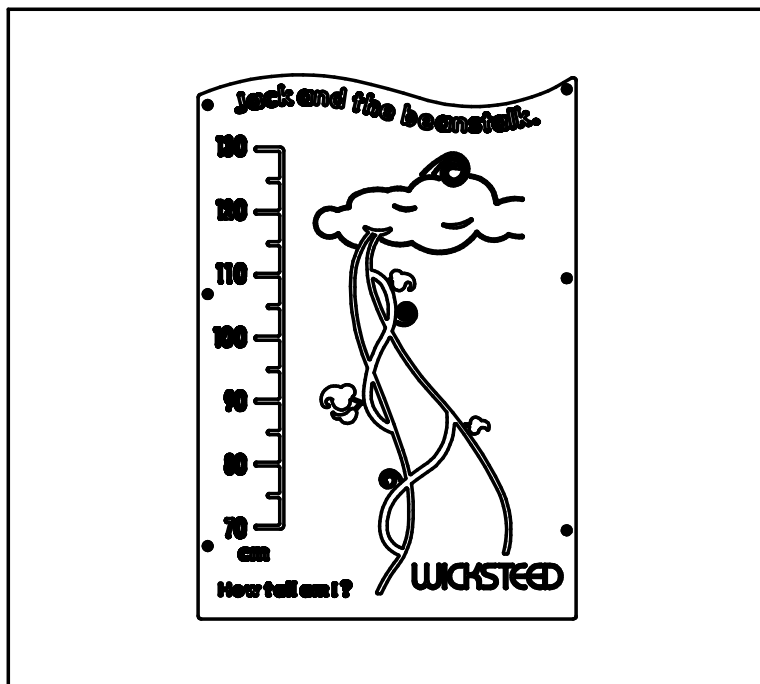
| Parts List |     |             |                          |
|------------|-----|-------------|--------------------------|
| ITEM       | QTY | PART NUMBER | DESCRIPTION              |
| 1          | 1   | 6160-012    | Jack and Jill's Climber  |
| 1.1        | 1   | 5300-030    | Jack's Beanstalk W.A.    |
| 1.2        | 2   | 2176-153    | M8 x 30 Pent Button Head |
| 1.3        | 2   | 2177-001    | M8 Safety Fastener       |

| For Bark Fixing Use |     |             |                          |
|---------------------|-----|-------------|--------------------------|
| ITEM                | QTY | PART NUMBER | DESCRIPTION              |
| 2                   | 1   | 5071-003    | BELOW GROUND ASSY        |
| 3                   | 1   | 3031-010    | SPRAGGING IRON           |
| 4                   | 2   | 2175-134    | M12 x 25 LG HEX HD SCREW |

Note:- 1. Ensure all installation aids are removed before first use.  
 2. Lifting Equipment or sufficient manpower should be used throughout installation.

# Installation Instructions



| Nursery Rhymes  |              |
|-----------------|--------------|
| Beanstalk Panel |              |
| PROD. CODE      | 6160-052     |
| SIZE            | 600x860x12   |
| AGE RANGE       | 3 to 5 Years |
| F/ FALL HEIGHT  | N/A          |
| HEAVIEST PART   | Approx 8 Kg  |
| TOTAL WEIGHT    | Approx 12 Kg |
|                 |              |

### Installation Instructions

Care must be taken in abnormal conditions

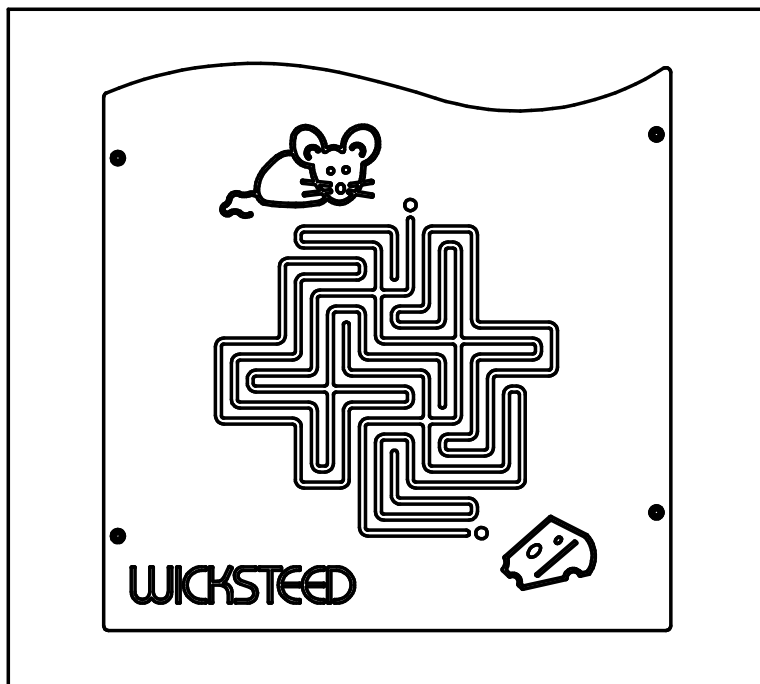
- 1 Read instructions thoroughly before commencing installation of unit.
- 2 Fit the barrier to the tower uprights using fixings

NOTE:- Drill tower uprights through upper two holes in barrier. Fit M8 x 35 Pent screw and M8 safety fastener.

| Parts List   |     |             |                                     |
|--|-----|-------------|-------------------------------------|
| ITEM   | QTY | PART NUMBER | DESCRIPTION                         |
| 1  | 1   | 6160-052    | Jack and the Beanstalk Height Panel |
| 1.1  | 1   | 3755-219    | Jack and the Beanstalk Height Panel |
| 1.2  | 6   | 2176-154    | M8 x 35 Pent Button Head            |
| 1.3  | 6   | 2177-001    | M8 Safety Fastener                  |
| Alternative Fixing if Slide Handhold is fitted on same Tower Upright |     |             |                                     |
| ITEM   | QTY | PART NUMBER | DESCRIPTION                         |
| 1.4  | 3   | 2176-155    | M8 x 45 Pent Button Head            |

Note:- 1. Ensure all installation aids are removed before first use.  
 2. Lifting Equipment or sufficient manpower should be used throughout installation.

# Installation Instructions



| Nursery Rhymes   |              |
|------------------|--------------|
| Mouse Maze Panel |              |
| PROD. CODE       | 6160-053     |
| SIZE             | 600x620x12   |
| AGE RANGE        | 3 to 5 Years |
| F/ FALL HEIGHT   | N/A          |
| HEAVIEST PART    | Approx 6 Kg  |
| TOTAL WEIGHT     | Approx 10 Kg |

### Installation Instructions

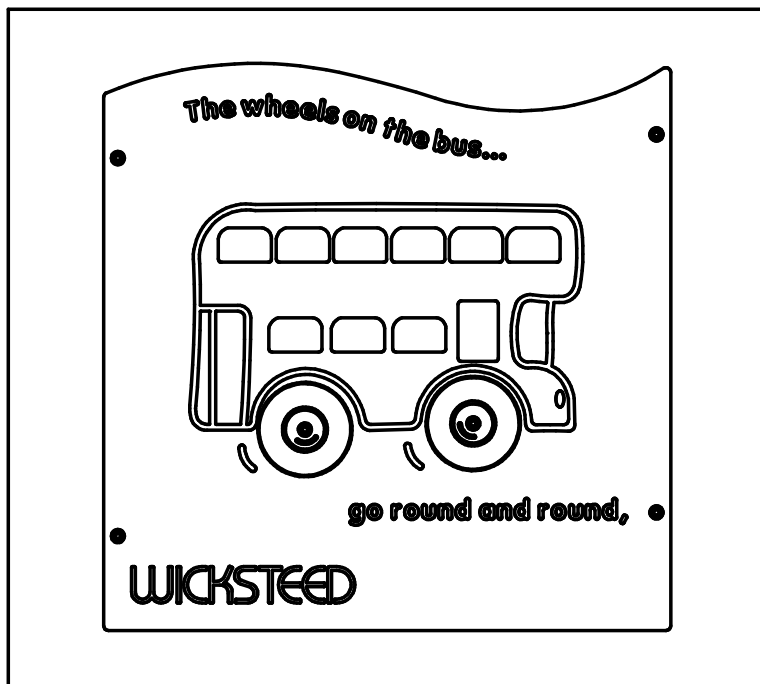
Care must be taken in abnormal conditions

- 1 Read instructions thoroughly before commencing installation of unit.
- 2 Fit the barrier to the tower uprights using fixings

| Parts List   |     |             |                          |
|--|-----|-------------|--------------------------|
| ITEM   | QTY | PART NUMBER | DESCRIPTION              |
| 1  | 1   | 6160-053    | Mouse Maze Panel         |
| 1.1  | 1   | 3755-218    | Mouse Maze Barrier       |
| 1.2  | 4   | 2176-154    | M8 x 35 Pent Button Head |
| 1.3  | 4   | 2177-001    | M8 Safety Fastener       |
| Alternative Fixing if Slide Handhold is fitted on same Tower Upright |     |             |                          |
| ITEM   | QTY | PART NUMBER | DESCRIPTION              |
| 1.4  | 2   | 2176-155    | M8 x 45 Pent Button Head |

**Note:-** 1. Ensure all installation aids are removed before first use.  
 2. Lifting Equipment or sufficient manpower should be used throughout installation.

# Installation Instructions



| Nursery Rhymes          |              |
|-------------------------|--------------|
| Wheels on the Bus Panel |              |
| PROD. CODE              | 6160-054     |
| SIZE                    | 600x620x12   |
| AGE RANGE               | 3 to 5 Years |
| F/ FALL HEIGHT          | N/A          |
| HEAVIEST PART           | Approx 6 Kg  |
| TOTAL WEIGHT            | Approx 10 Kg |

### Installation Instructions

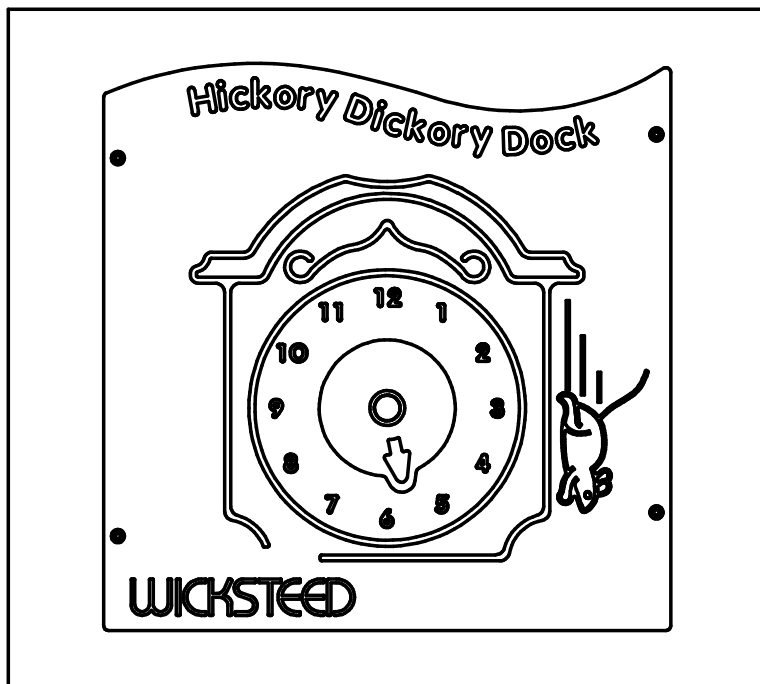
Care must be taken in abnormal conditions

- 1 Read instructions thoroughly before commencing installation of unit.
- 2 Fit the barrier to the tower uprights using fixings

| Parts List   |     |             |                                  |
|--|-----|-------------|----------------------------------|
| ITEM   | QTY | PART NUMBER | DESCRIPTION                      |
| 1  | 1   | 6160-054    | Wheels on the Bus Panel          |
| 1.1  | 1   | 5021-208    | Wheels on the Bus Panel Assembly |
| 1.2  | 4   | 2176-154    | M8 x 35 Pent Button Head         |
| 1.3  | 4   | 2177-001    | M8 Safety Fastener               |
| Alternative Fixing if Slide Handhold is fitted on same Tower Upright |     |             |                                  |
| ITEM   | QTY | PART NUMBER | DESCRIPTION                      |
| 1.4  | 2   | 2176-155    | M8 x 45 Pent Button Head         |

**Note:-** 1. Ensure all installation aids are removed before first use.  
 2. Lifting Equipment or sufficient manpower should be used throughout installation.

# Installation Instructions



| Nursery Rhymes             |              |
|----------------------------|--------------|
| Hickory Dickory Dock Panel |              |
| PROD. CODE                 | 6160-055     |
| SIZE                       | 600x620x12   |
| AGE RANGE                  | 3 to 5 Years |
| F/ FALL HEIGHT             | N/A          |
| HEAVIEST PART              | Approx 6 Kg  |
| TOTAL WEIGHT               | Approx 10 Kg |

### Installation Instructions

Care must be taken in abnormal conditions

- 1 Read instructions thoroughly before commencing installation of unit.
- 2 Fit the barrier to the tower uprights using fixings

| Parts List   |     |             |                                     |
|--|-----|-------------|-------------------------------------|
| ITEM   | QTY | PART NUMBER | DESCRIPTION                         |
| 1  | 1   | 6160-055    | Hickory Dickory Dock Panel          |
| 1.1  | 1   | 5021-207    | Hickory Dickory Dock Panel Assembly |
| 1.2  | 4   | 2176-154    | M8 x 35 Pent Button Head            |
| 1.3  | 4   | 2177-001    | M8 Safety Fastener                  |
| Alternative Fixing if Slide Handhold is fitted on same Tower Upright |     |             |                                     |
| ITEM   | QTY | PART NUMBER | DESCRIPTION                         |
| 1.4  | 2   | 2176-155    | M8 x 45 Pent Button Head            |

**Note:-** 1. Ensure all installation aids are removed before first use.  
 2. Lifting Equipment or sufficient manpower should be used throughout installation.