



3+



24



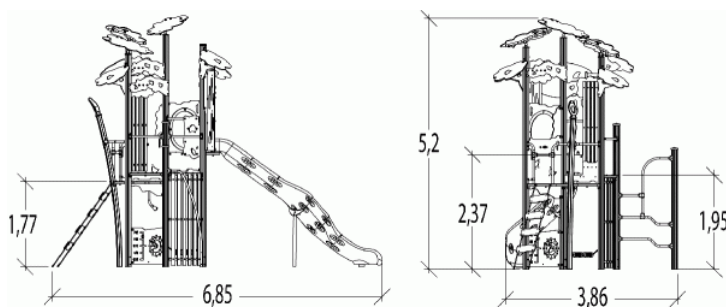
2,37m



1 = 6,85m
2 = 3,86m
3 = 5,2m



Motor inclusion
Sensory inclusion
Mental inclusion

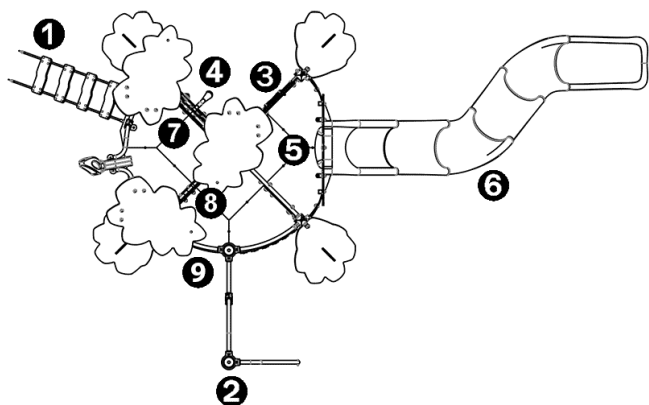


Play value :

22

role play	sliding	meeting	resting	handling	swinging	hiding	balancing
x2	x1	x1	x2	x2	x2	x1	x1
taking shelter	thinking	sound stimulation	tactile stimulation	visual stimulation	climbing	getting across	
x1	x1	x1	x2	x2	x2	x1	



Components

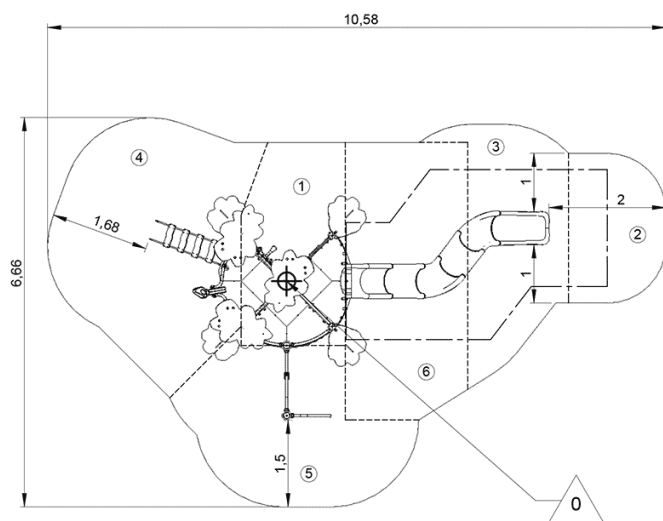


- ① Net ladder
- ② Interconnection
- ③ Play porthole
- ④ Clock panel
- ⑤ Platform Ht : 2,37 m
- ⑥ toboggan Ht : 2.37 m
- ⑦ Play panel
- ⑧ palissade cabane
- ⑨ 2-seater suspended seats

Installation of equipment

IMPORTANT: It is essential to refer to the installation instructions for information on the size of the safety areas.

-  Impact area (minimum normative surface)
-  Free space



1	0,6m	6m ²
2	1m	4m ²
3	1,5m	6,5m ²
4	1,77m	12m ²
5	1,95m	8,5m ²
6	2,37m	10m ²



3



18h00



1.17m³



47m²



867kg



32kg

