



6+



16



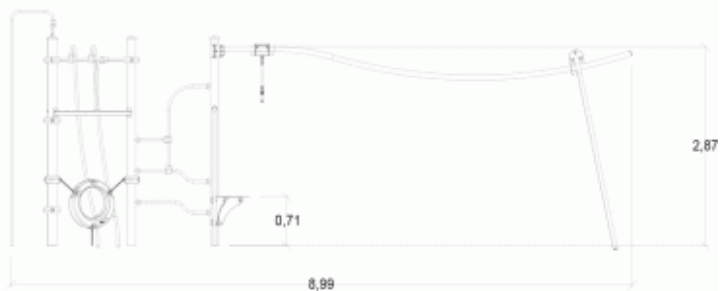
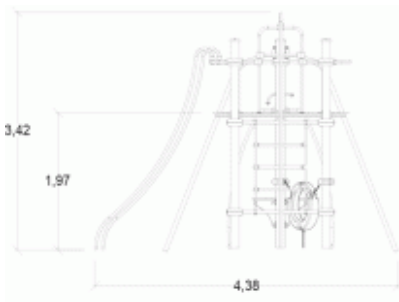
2,2m



1 = 9,02m  
2 = 4,38m  
3 = 3,4m



Motor inclusion  
Sensory inclusion  
Mental inclusion



Play value : **10**

sliding



x2

meeting



x1

resting



x1

hanging



x1

swinging



x1

balancing



x1

climbing



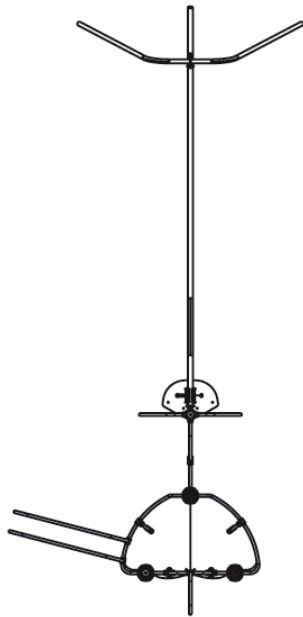
x2

getting across



x1

## Components

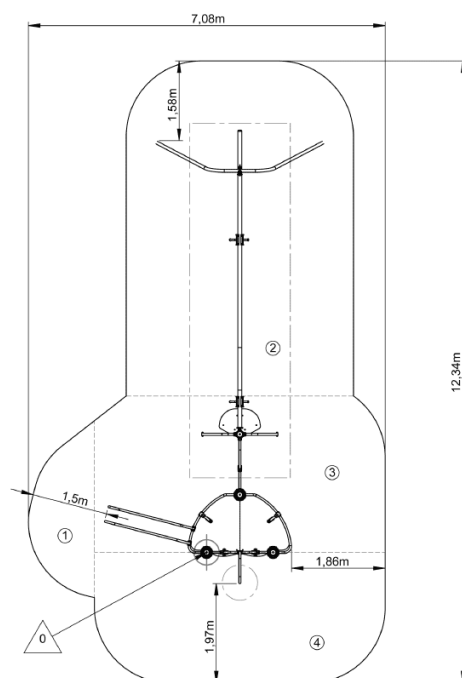


- ❶ Gamma tower
- ❷ Delta Straight ladder
- ❸ Fireman's pole
- ❹ Speed slide
- ❺ tele IXO
- ❻ Vertical buoy

## Installation of equipment

**IMPORTANT:** It is essential to refer to the installation instructions for information on the size of the safety areas.

- Impact area (minimum normative surface)
- Free space



1	0,6m	3,5m <sup>2</sup>
2	1m	29m <sup>2</sup>
3	1,95m	17,5m <sup>2</sup>
4	2,2m	14m <sup>2</sup>



2

06h00

0.5m<sup>3</sup>

64m<sup>2</sup>

549kg

62kg

