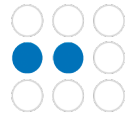



12+ **2** **0,9m**

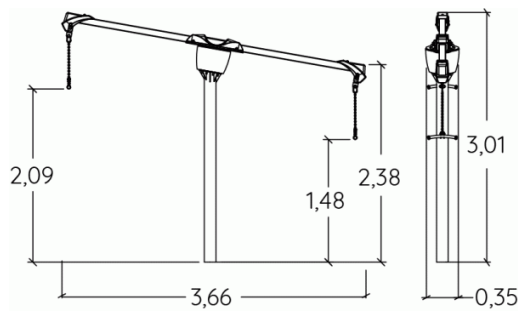
1 = 3,66m
 2 = 0,35m
 3 = 3,01m



Motor inclusion
 Sensory inclusion
 Mental inclusion



If installed onto wetpour safer surfacing, we recommend a NON-FINES CONCRETE BASE.



Play value :

5

meeting



x1

hanging



x1

swinging



x1

balancing



x1



rotating

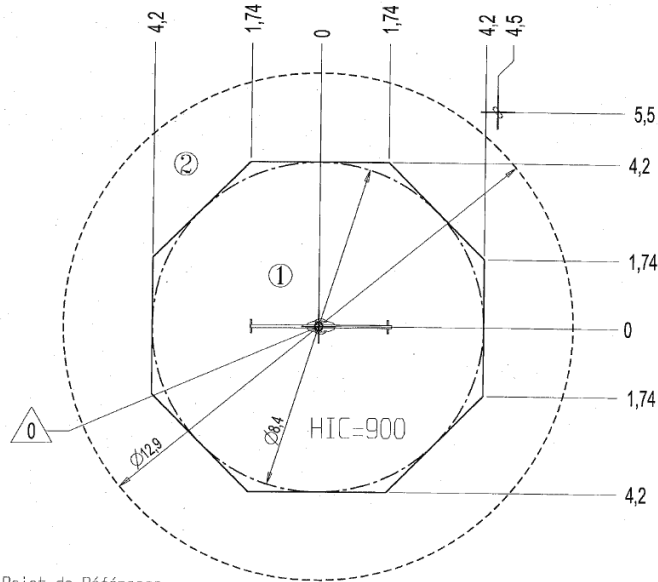


x1

Installation of equipment

IMPORTANT: It is essential to refer to the installation instructions for information on the size of the safety areas.

-  Impact area (minimum normative surface)
-  Free space



Point de Référence
Setting Out Point
Punto de referencia
Bezugspunkt



1	0,9m	55m ²
2	<0,6m	76m ²



2



03h00



0.6m³



59m²



189kg



115kg

