

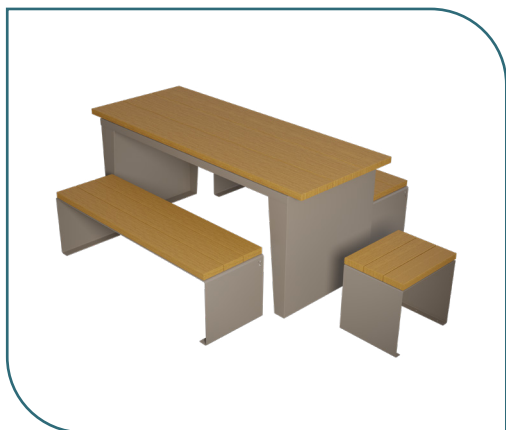
DATA SHEET  
Reference:  
DS-ES-0923

# Estro Collection

Technical datasheet

# Estro Collection

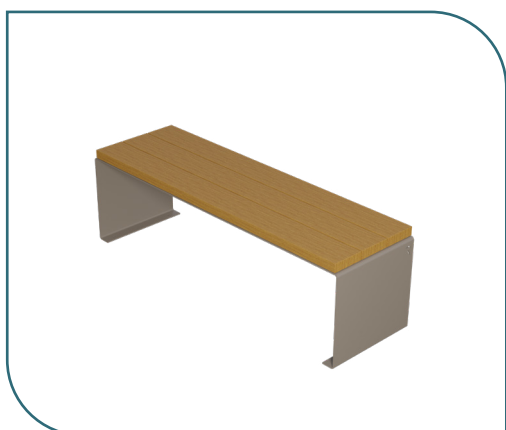
## Technical datasheet



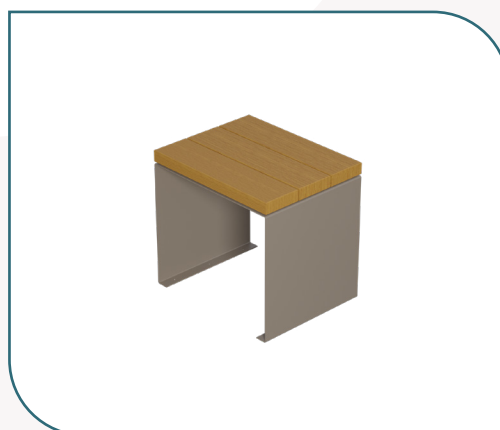
Estro Table, Bench and Stool



Estro Table



Estro Bench



Estro Stool



FIND OUT MORE OR REQUEST A SAMPLE

e: [technical@raaft.co](mailto:technical@raaft.co)

w: [raaft.co](http://raaft.co)

# Estro Collection

## Technical datasheet

### ESTRO MODULARS

PRODUCT CODES	PRODUCT NAME	METAL THICKNESS	WEIGHTS (KG)	KEY DIMENSIONS (Length, width, height in mm)	FIXINGS REQUIRED
	Estro Table Legs	6mm	36.4	Depth: 500 Width: 2000** Height: 800 (780 FFL*)	<ul style="list-style-type: none"> <li>Stainless Steel wood screws</li> </ul>
	Estro Table Sheet/Wood/Brackets	3mm	61.5		
	Estro Bench	6mm	75.5	Depth: 500 Width: 1500 Height: 470 (450 FFL*)	<ul style="list-style-type: none"> <li>Tek screws used when bolting to floor structure panels</li> </ul>
	Estro Stool	3mm	19.27	Depth: 400 Width: 500 Height: 470 (450 FFL*)	

\* From finished floor

\*\* Table width for legs is 1800mm, total is 2000mm

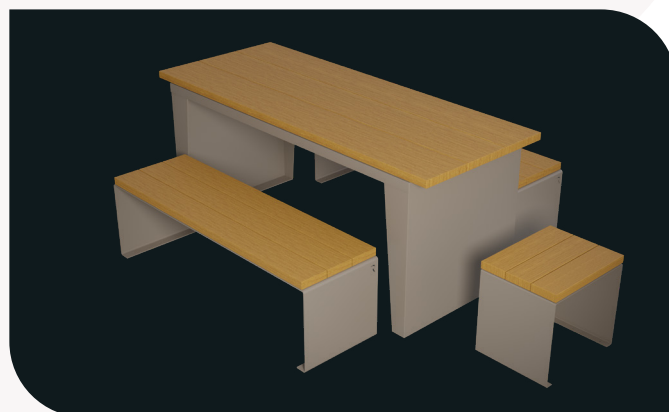
### APPLICATION

This collection comprises one table, two benches, and an adaptable number of stools, depending on the customer's preferences.

While these pieces have been specifically crafted for rooftop terraces, their versatility extends to ground-level use. This versatility is attributed to their lightweight construction, weather resistance, robustness, and enduring quality.

All the products in this collection are securely fastened to the Raaft Terrace system, anchored through bolts into the panels underneath, ensuring strict compliance with wind uplift regulations.

The utilization of thicker timbers in this collection not only enhances durability but also provides a more sophisticated alternative to thin planks. These design choices communicate a sense of bespoke craftsmanship to users.



All three products within this set share identical design features, facilitating seamless integration with one another on rooftop installations.

**RAAFT** FIND OUT MORE OR REQUEST A SAMPLE  
e: [technical@raaft.co](mailto:technical@raaft.co)  
w: [raaft.co](http://raaft.co)

# Estro Collection

## Technical datasheet

### INSTALLATION INFORMATION

When installing the Estro collection, it will simply bolt down into the furniture structure panel underneath and this will be done by using tek screws. There must be caution however, as the base section must be bolted down first, and then the wooden slats and comb will be screwed down.

The tiles would then be cut around the Estro collection on site and given that the Estro collection is a straightforward base, this should not pose much of an issue. For more information, please see our install guide.

### PRODUCT FINISHES

The finishes for the metal sections will be either Powder-Coating or CORTEN. This can be decided by the Architect or Customer.

The Woods will all be unfinished, as they are Hard-Woods, except for European Redwood, which will need a ROXIL cream applied. This is a water repellent and protects the wood for 10+ years.

Choose from these finishes:



### SUSTAINABILITY

Estro is crafted from three material options: Untreated steel, Corten A, or Stainless Steel, and it boasts 100% recyclability. Consequently, Estro stands out for its outstanding whole-life cost, as it is marketed with recycling in mind rather than incurring disposal costs. The primary component in steel production is iron, ranking second only to aluminium in terms of its natural abundance in the Earth's crust. Considering current extraction rates, there exists a sufficient iron supply to sustain production for well over 1000 years.

#### STEEL

Mild steel is widely recognized as a sustainable material for several compelling reasons:

- 1. Longevity and Durability**  
Mild steel boasts exceptional longevity and durability. When compared to less robust materials, it provides extended service over many years. For instance, while other materials may require annual replacement, using mild steel every five years significantly reduces the environmental impact, as it necessitates less energy for continuous replacement.
- 2. Versatility**  
Mild steel offers high versatility in terms of shapes and sizes during production. Its malleability allows it to take on various forms, making it highly adaptable and suitable for a wide range of applications.
- 3. Recyclability**  
One of the most significant sustainable advantages of mild steel is its recyclability. While the percentage of recyclable content may vary by type, it typically contains a high percentage of recyclable material. This aligns seamlessly with its versatility, as any surplus steel from manufacturing processes can be repurposed for smaller products or recycled, making it an environmentally friendly metal choice.
- 4. Absence of Harmful Chemicals**  
Unlike some other metals, the production of mild steel does not involve the release of harmful chemicals or toxins. This characteristic contributes to its eco-friendliness.

#### WOOD

Wood stands out as one of the most sustainable materials available, primarily due to its carbon-neutral life cycle. It can be grown and harvested repeatedly and is entirely recyclable. Some woods may be considered more sustainable than others due to their longer growth periods before harvest. Nevertheless, all wood is 100% renewable. Longer growing times often result in better physical properties, such as increased hardness, strength, and resistance to warping, bending, or bowing.



FIND OUT MORE OR REQUEST A SAMPLE

e: [technical@raaft.co](mailto:technical@raaft.co)

w: [raaft.co](http://raaft.co)



# Estro Collection

## Technical datasheet

### PRODUCT MAINTENANCE

#### STEEL

For the Estro collection, there are 2 choices for the steel: Powder-coating or CORTEN. Either one of these will require little/no maintenance as there won't be any interaction between this part of the product and the user.

#### WOOD

Currently for all hardwoods we don't supply these with any finish. This is due to their ability to withstand being outside for long periods of time. The softwoods have the ROXIL cream applied, and this will help them to withstand the outdoors much better.

### FIRE PROTECTION

The new building regulations refer only to building elements that are considered to be a 'specific attachment'. And while this includes balconies, cladding and decking, it does not include any external street furniture used on building rooftops.

### PROTECTIVE EQUIPMENT

We recommend that PPE (Personal Protective Equipment) is used when installing the Estro collection:

- a) Good strong safety boots/shoes to protect the feet.
- b) Protective eyewear such as safety glasses.
- c) Strong gloves to protect the hands.
- d) If using loud cutting equipment then ear plugs or defenders should be worn.

### STORAGE AND HANDLING

The product is securely packed and sealed in clear plastic sleeving to ensure no movement of the product in transit. Depending on the size/weight of the consignment this may be palletised.

Whilst there is no specific weight restrictions on what is or is not safe to lift in manual handling, an assessment of the health and safety risks should be undertaken and measures taken to reduce the risk of injury so far as reasonably practicable.

The following guidelines may be useful:

- a) Each person should be fully trained in manual handling techniques.
- b) The use of handling aids such as a trolley, folk-lift, pallet truck or conveyor should be used if moving large volumes of cartons.
- c) Break up large consignments into more manageable loads.
- d) Ensure that the product is stored at a reasonable height, so avoiding the lifting of cartons from floor level or above shoulder height.