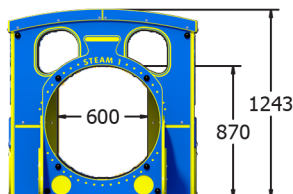
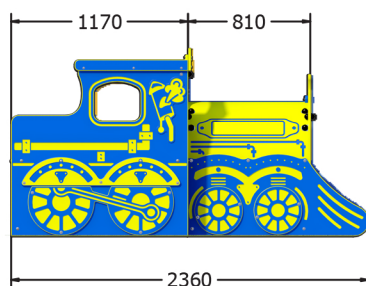


Product Information

FIEXPENG - Steam Express - Engine



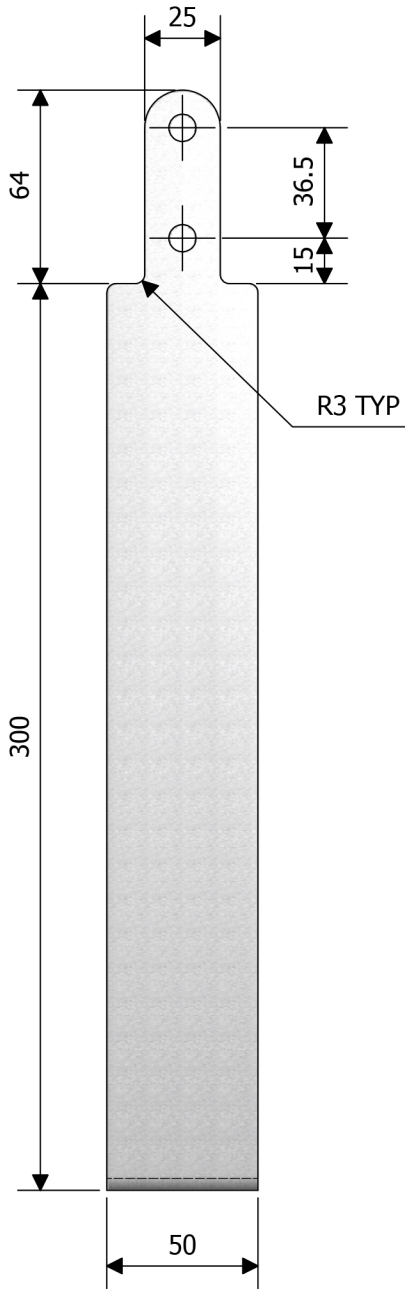
Age Range:	2+ Years
Largest Part:	Full Assembly 2360 x 1250 x 1243mm
Heaviest Part:	Full Assembly 153kg
Total Weight:	Approx. 153kg
Surfacing :	N/A

Designed to
British & European
Standard BS EN 1176

Material:	Design Panel - High Density Polyethylene (HDPE) with orange peel texture finish Recycled Profile - Made from 100% recycled plastic with a heavy textured finish LumbeRock Benches - Made from 100% recycled HDPE milk bottles with a wood grain finish on top face
-----------	---

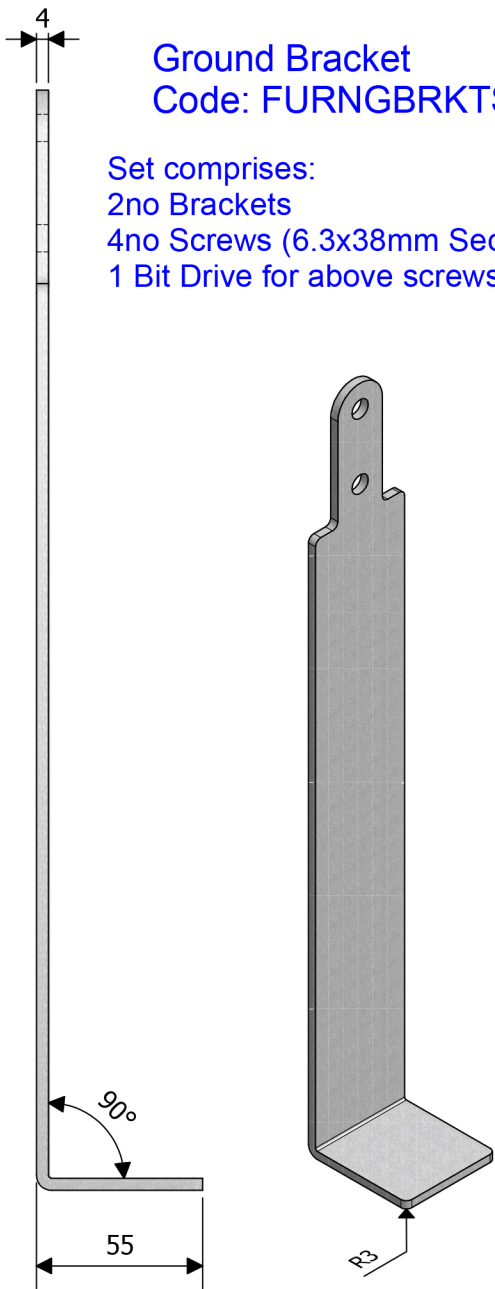
Colour Choices:	Design Panel - Broad selection available, visit the website below for further details Recycled Profile - Black as standard LumbeRock - Cedar as standard
-----------------	---

Furniture Brackets: Material: 4mm Gauge Zinc Plated Mild Steel



Ground Bracket
Code: FURNGBRKTS

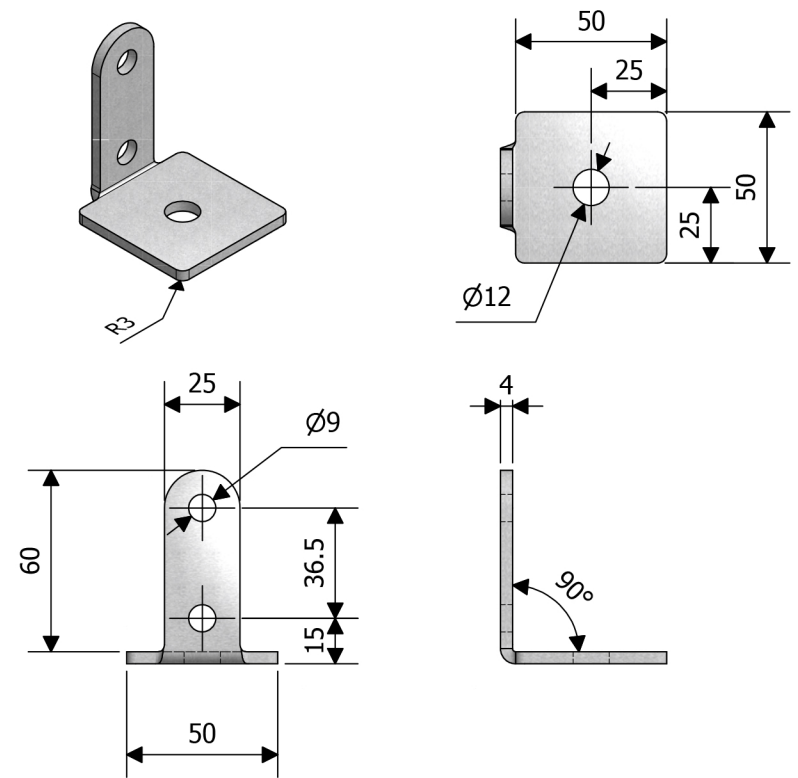
Set comprises:
2no Brackets
4no Screws (6.3x38mm Security)
1 Bit Drive for above screws



Surface Bracket
Code: FURNSBRKTS

Set comprises:
2no Brackets
4no Screws (6.3x38mm Security)
1 Bit Drive for above screws

* Bracket to Surface fixing not supplied



	TOLERANCES General ± 1.0 Angles ± 0.5	Title: Furniture Brackets		Product Code TBA	
		Project: Fixings		Colour: ---	
		Drawn By:	Material: M Steel	Issue: 1	
		Date: 06/01/2011	Drawing No: N/A	Sheet 2 of 2	