



3+



6



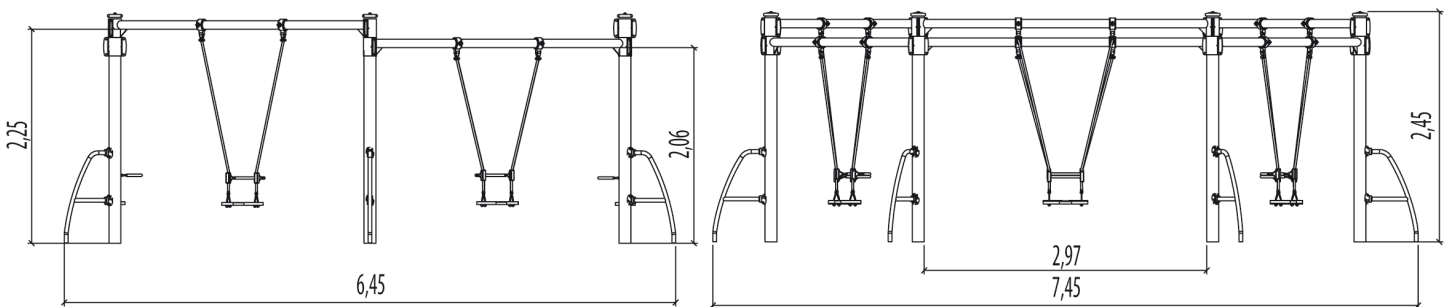
1,4m



1 = 6,45m
2 = 7,45m
3 = 2,45m



Motor inclusion
Sensory inclusion
Mental inclusion



Play value : **2**

meeting



x1



swinging

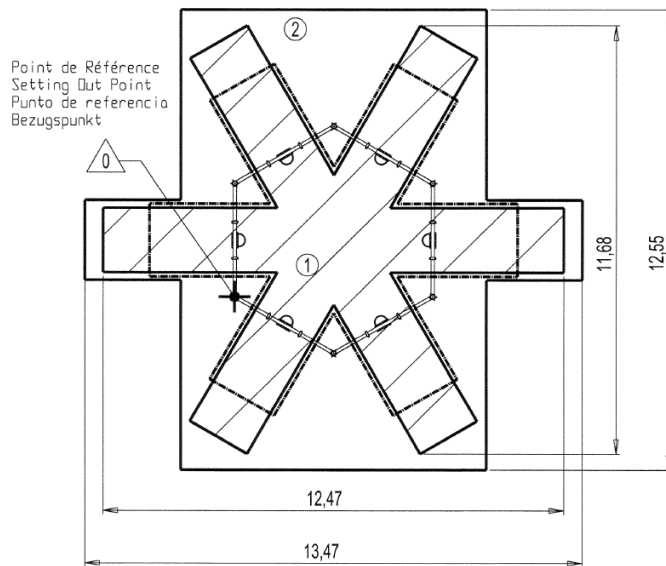




x1

Installation of equipment

IMPORTANT: It is essential to refer to the installation instructions for information on the size of the safety areas.

-  Impact area (minimum normative surface)
-  Free space



		
1	1,4m	58,5m ²
2	1,4m	115,5m ²



2



03h30



0.54m³



58.5m²



374kg



35kg

