



2+



5



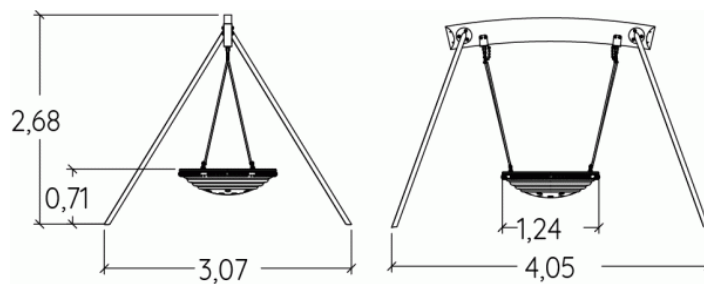
1,55m



1 = 4,05m  
2 = 3,07m  
3 = 2,75m



Motor inclusion  
Sensory inclusion  
Mental inclusion



Play value :

3

meeting



x1

resting



x1



swinging

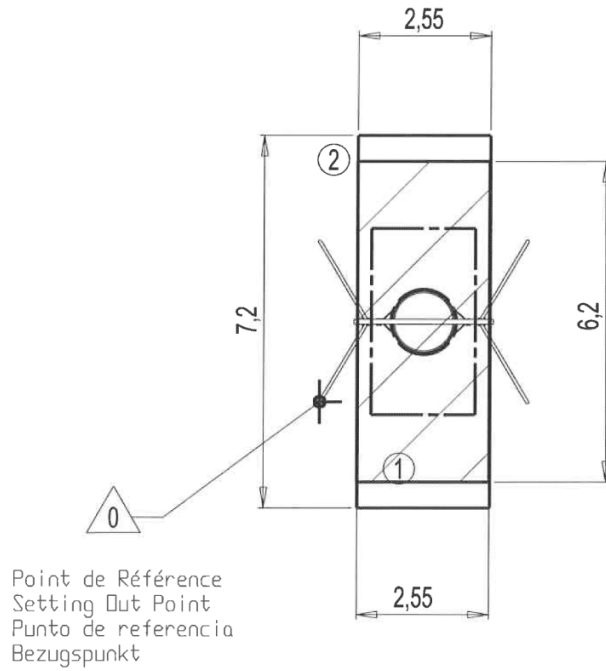


x1

## Installation of equipment

**IMPORTANT:** It is essential to refer to the installation instructions for information on the size of the safety areas.

-  Impact area (minimum normative surface)
-  Free space



1	1,55m	16m <sup>2</sup>
2	1,55m	21m <sup>2</sup>



2



04h00



1.5m<sup>3</sup>



16m<sup>2</sup>



170kg



43kg

