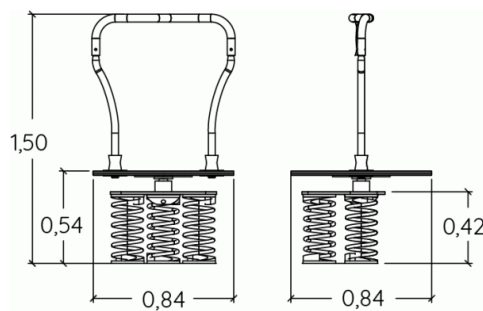
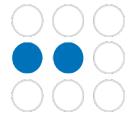


8+ 4 0,55m

1 = 0,84m
2 = 0,84m
3 = 1,5m



Motor inclusion
Sensory inclusion
Mental inclusion



Play value : 4

meeting



x1

swinging



x1

balancing



x1



rotating

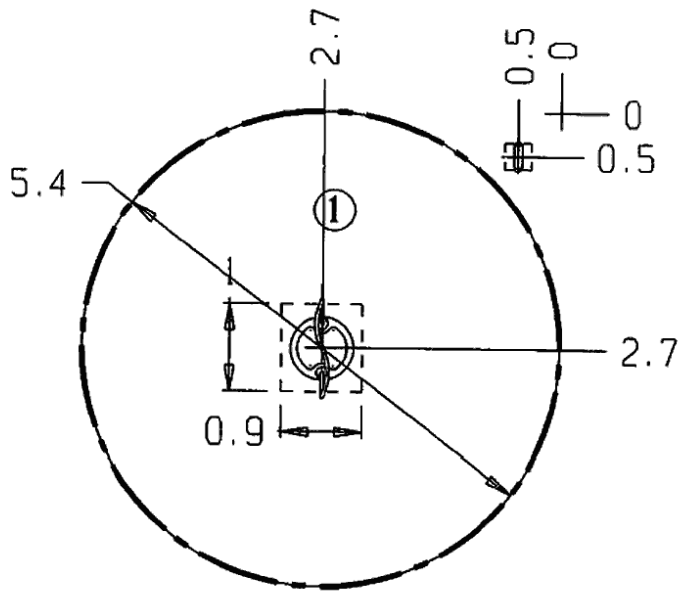




x1

Installation of equipment

IMPORTANT: It is essential to refer to the installation instructions for information on the size of the safety areas.

-  Impact area (minimum normative surface)
-  Free space



		
1	0,55m	23m ²



2



01h00



0m³



23m²



116kg



107kg

