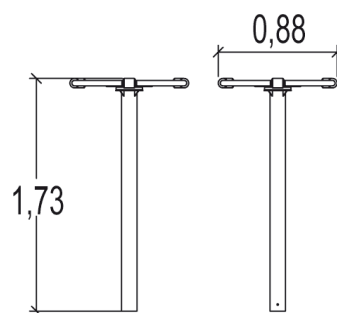
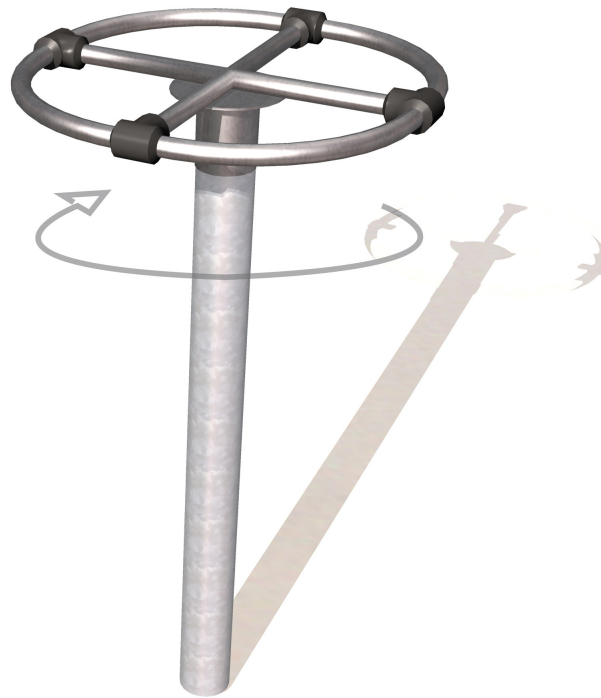
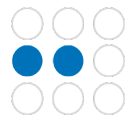


Motor inclusion  
Sensory inclusion  
Mental inclusion



Play value : **4**

meeting



x1

hanging



x1

swinging



x1



rotating

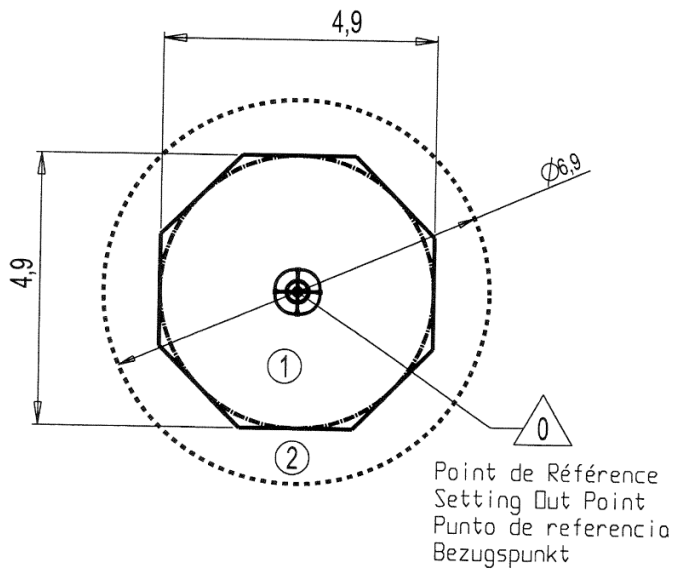




x1

## Installation of equipment

**IMPORTANT:** It is essential to refer to the installation instructions for information on the size of the safety areas.

-  Impact area (minimum normative surface)
-  Free space



		
1	1,7m	20m <sup>2</sup>



2



02h15



0.3m<sup>3</sup>



20m<sup>2</sup>



51kg



25kg

