

# Cadenza

## Description

Small and captivating, perfect for one player but comfy enough for two. This cheerful instrument makes a commanding sound.



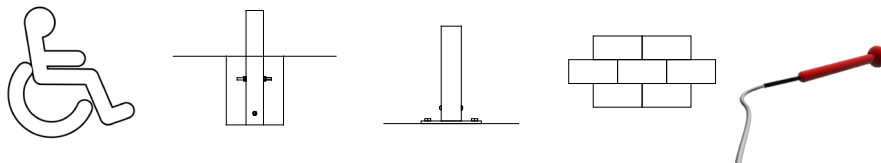
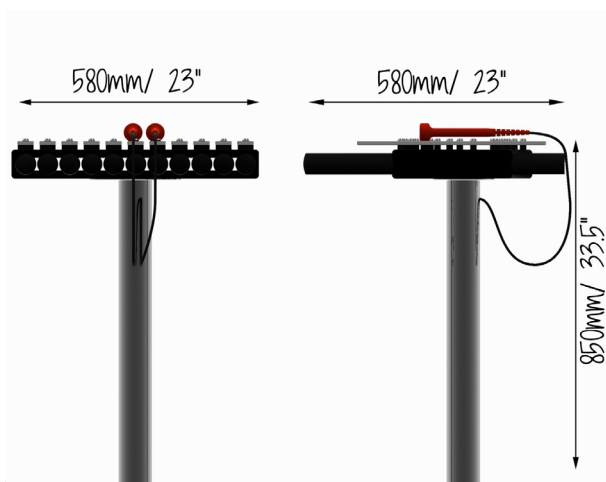
## Materials and Features

Black anodized aluminum resonators between HDPE sheets.  
316 mirror polished stainless steel leg.  
11 aluminum notes.  
2 x 1 part vandal resistant mallets.  
Vandal resistant 300 series stainless steel fixings.

## Tuning and Sound Level Data

C Major Pentatonic (C4 - C6)

50m - 54dB  
10m - 64dB  
<3m - 93dB



| Box Dimensions    | Weight (kg) | L (cm) | W (cm) | H (cm) |
|-------------------|-------------|--------|--------|--------|
| Instrument 1 of 2 | 15          | 65     | 65     | 12     |
| Stand 2 of 2      | 5           | 110    | 10     | 10     |

\*Surface fixing instruments will include additional packages containing fixing plates.

Find more information and watch the video [here](#).

Standard Compliance BS EN 1176

Warranty: Limited Twenty-Five (25), Limited Ten (10) Year & Limited Two (2) Year warranty

CADE/Issue 002