

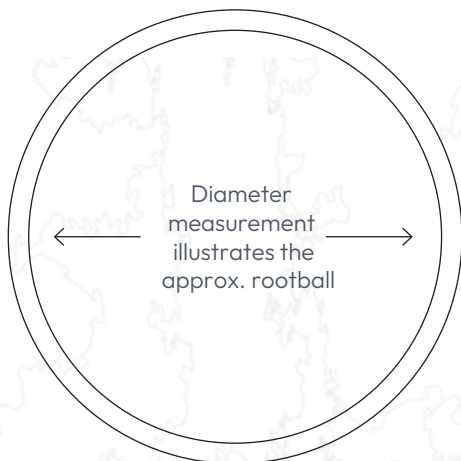
# Mona Relief Piazza

A square irrigation unit manufactured from cast aluminium, specifically designed for installation in hard landscaped areas. Ideal for incorporation with paved tree grilles.

**Features:**

- Robust and secure inlet
- Contemporary design
- Co-ordinates with paved tree grilles

Model	Dia. of Irrigation Ring	Application
MRG1	900mm	Large shrubs and trees up to approx. 20-25 girth
MRG5	1530mm	Trees with larger rootballs. 25cm girth and upwards, check rootball size and match irrigation accordingly
MRG8	2500mm	Trees with larger rootballs. 25cm girth and upwards, check rootball size and match irrigation accordingly
MRG8D	2500mm (double inlet)	Aeration pipe, allows water and oxygen to reach the outer tree rooting area, improving soil health



**Application:**

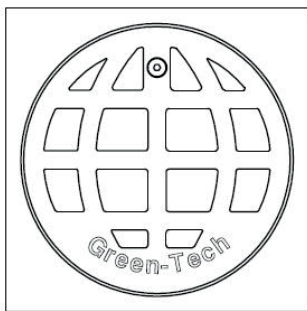
1. Place tree rootball in hole as with normal planting instructions
2. Measure the circumference of the rootball and cut the Mona Relief pipe to the required size. Connect both ends of the pipe to the Mona Relief T junction. The Mona Relief is most efficient when positioned within the top third of the rootball
3. Insert the Mona Relief feeding pipe with cap into the T junction
4. Back fill the area covering the Mona Relief ring and feeding pipe evenly, ensuring it remains level at all times

5. Leave space for the cap and feeding pipe to protrude from the ground, this prevents blockages of soil, stones and mulches

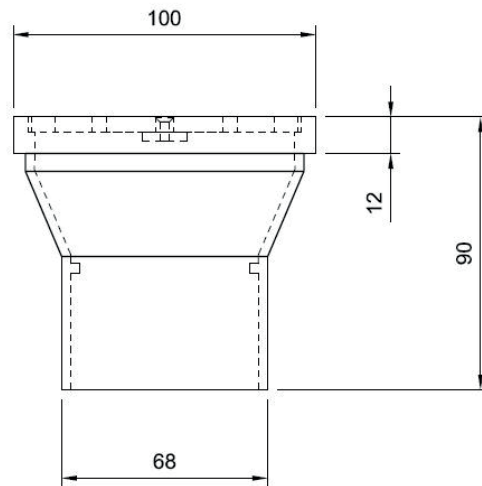
**Specification:**

It is recommended that when an urban tree is planted a tree irrigation system is put in place to ensure the tree receives the best start. By proactively installing a system that will irrigate at the rootball, the tree's roots instantly receive the much needed water to aid growth.

All Mona Relief inlets are available with varying irrigation pipe sizes, dependant on the rootball size.



PLAN



ELEVATION