

SD-1000-G Smart Dock

Bikeep Smart bike Dock ver. G

Main features

Dimensions

Operating environment

Power requirements



MAIN FEATURES

Standard station has 5 to 20 docks.



Standard colors

Body:
RAL5008 (Gray-blue)
Locking bar:
RAL6018 (Yellow-green)

Contactless card reader

The default station works with contactless cards and Bikekeep App.

Contactless card reader

13.56Mhz reader

1

Led indications

Open / Close / Reserved

2

Locking bar

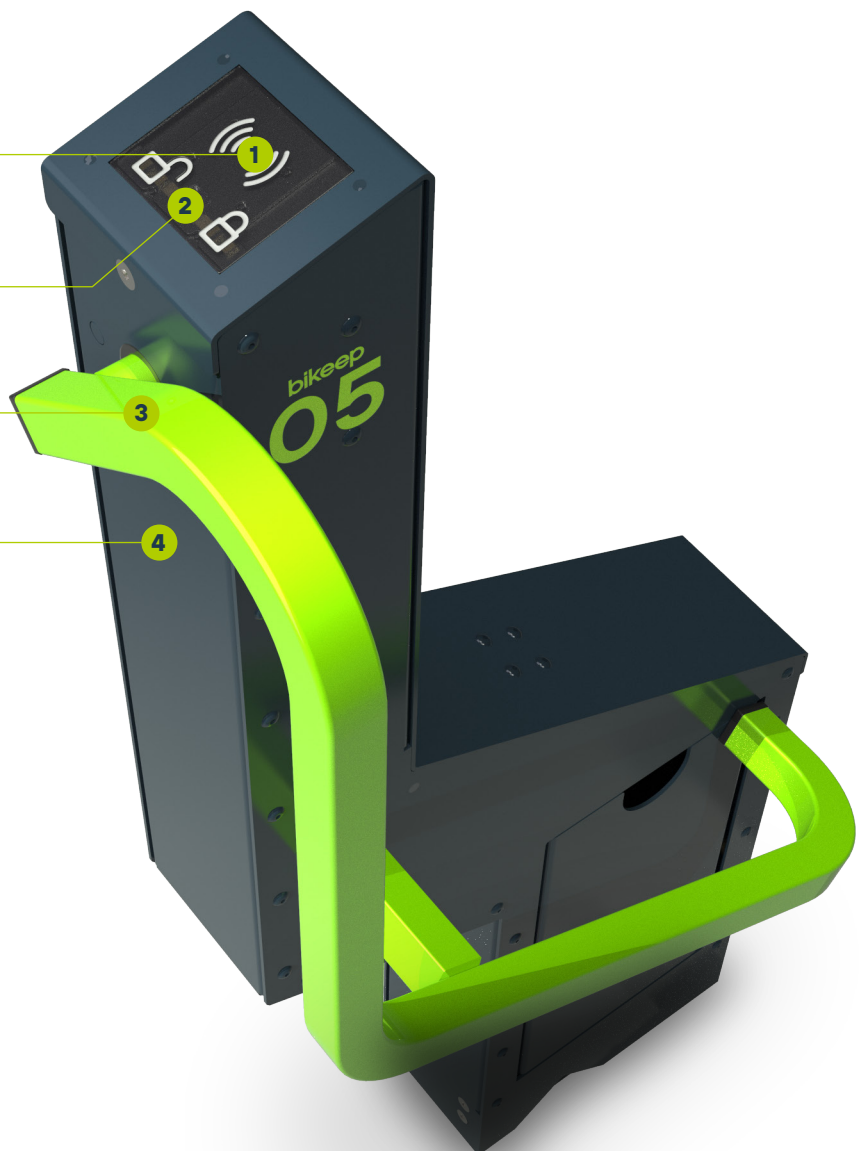
Easy to use, secure steel

3

Smart controller inside

Internet connected

4



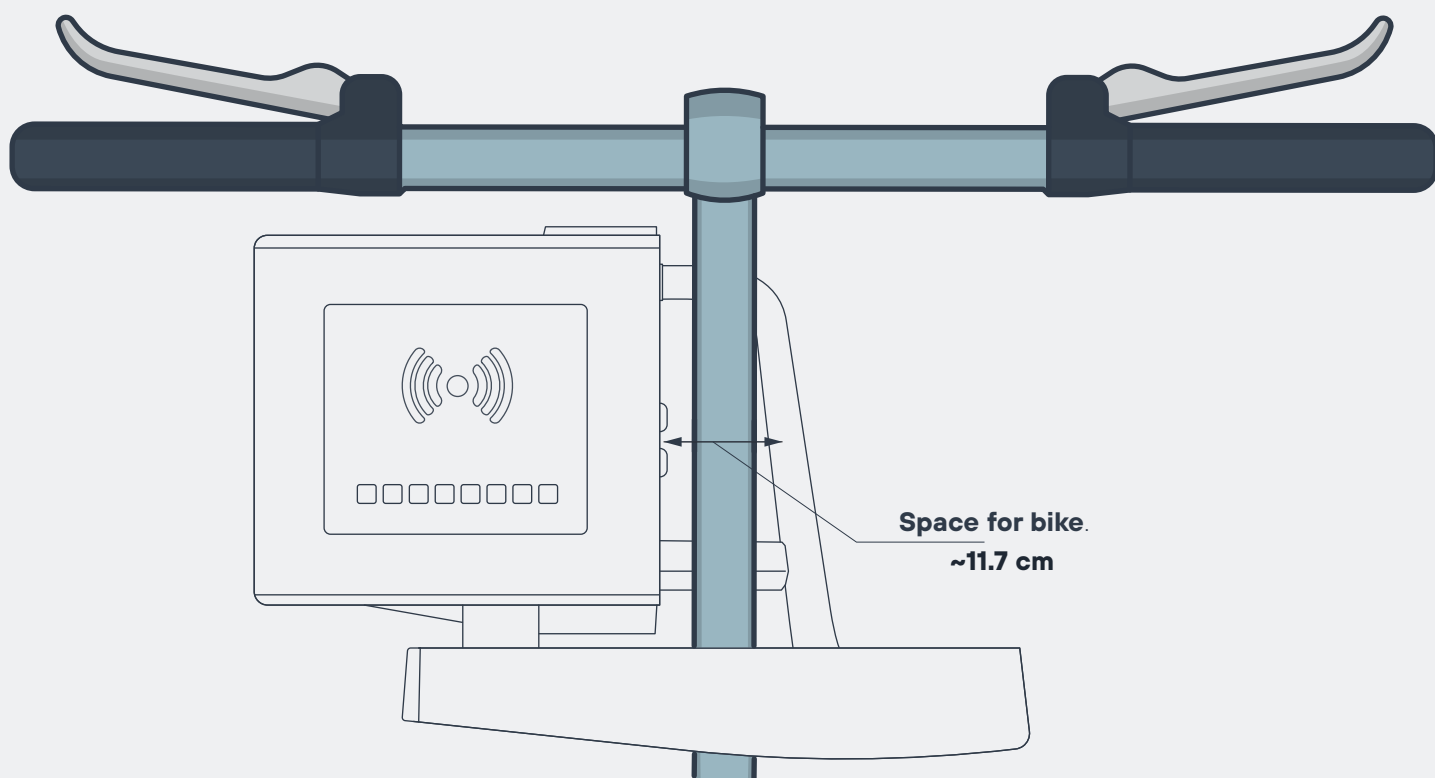
Secure personal bike locking



Unlock by opening the lever.



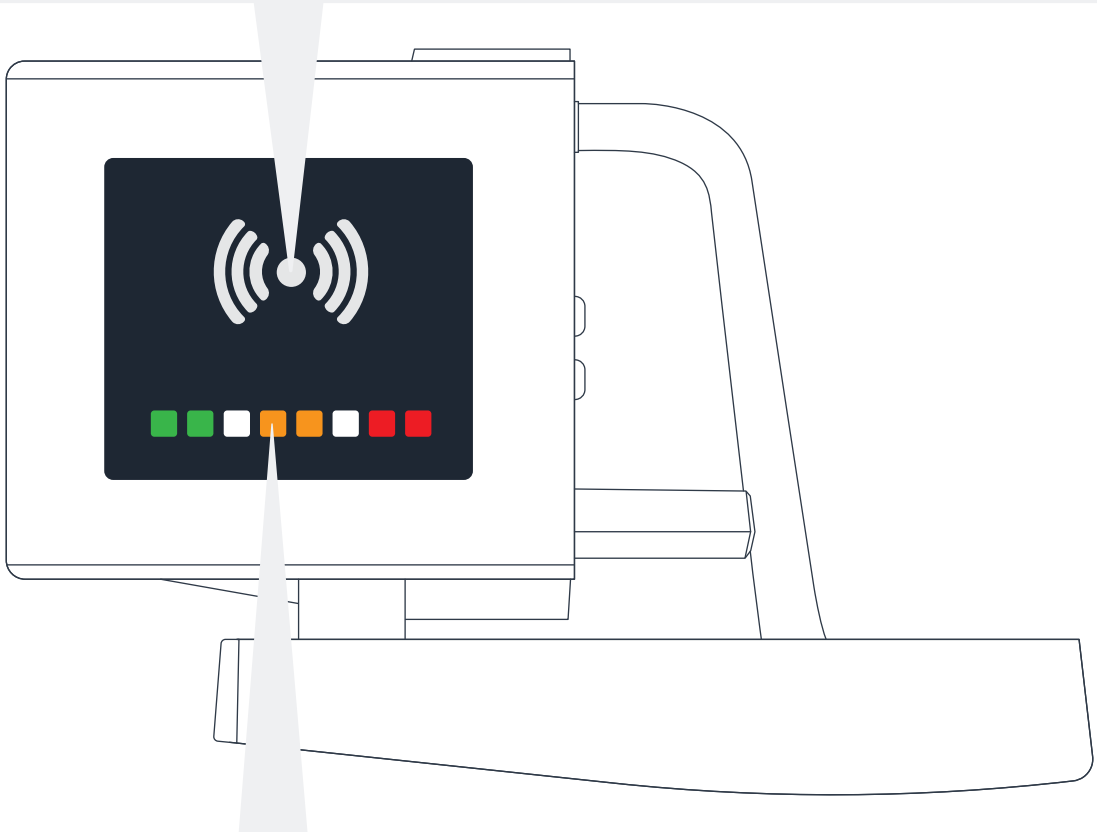
Lock by closing the lever.



Contactless card reader



- The card reader module provides you with access control via contactless cards or key fobs.
- The contactless card reader module supports most 13.56MHz cards (13.56MHz ISO14443A compatible).



Led indication

Status (indication) LED shows the current state of the bike station dock.

Available



Booked

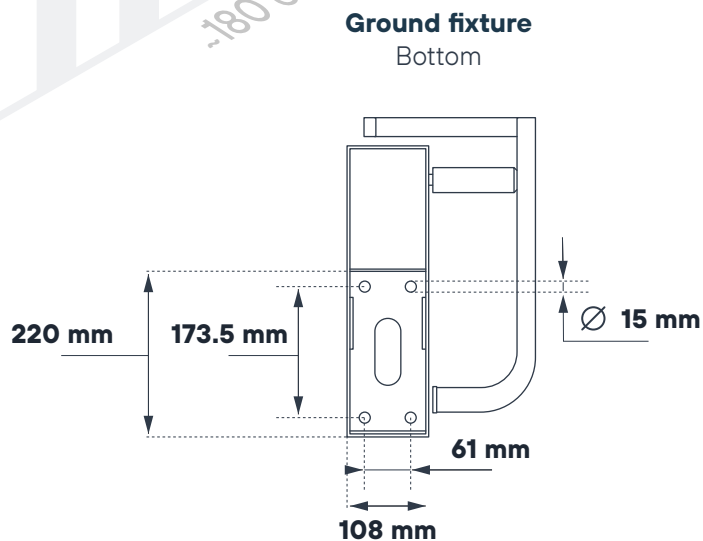
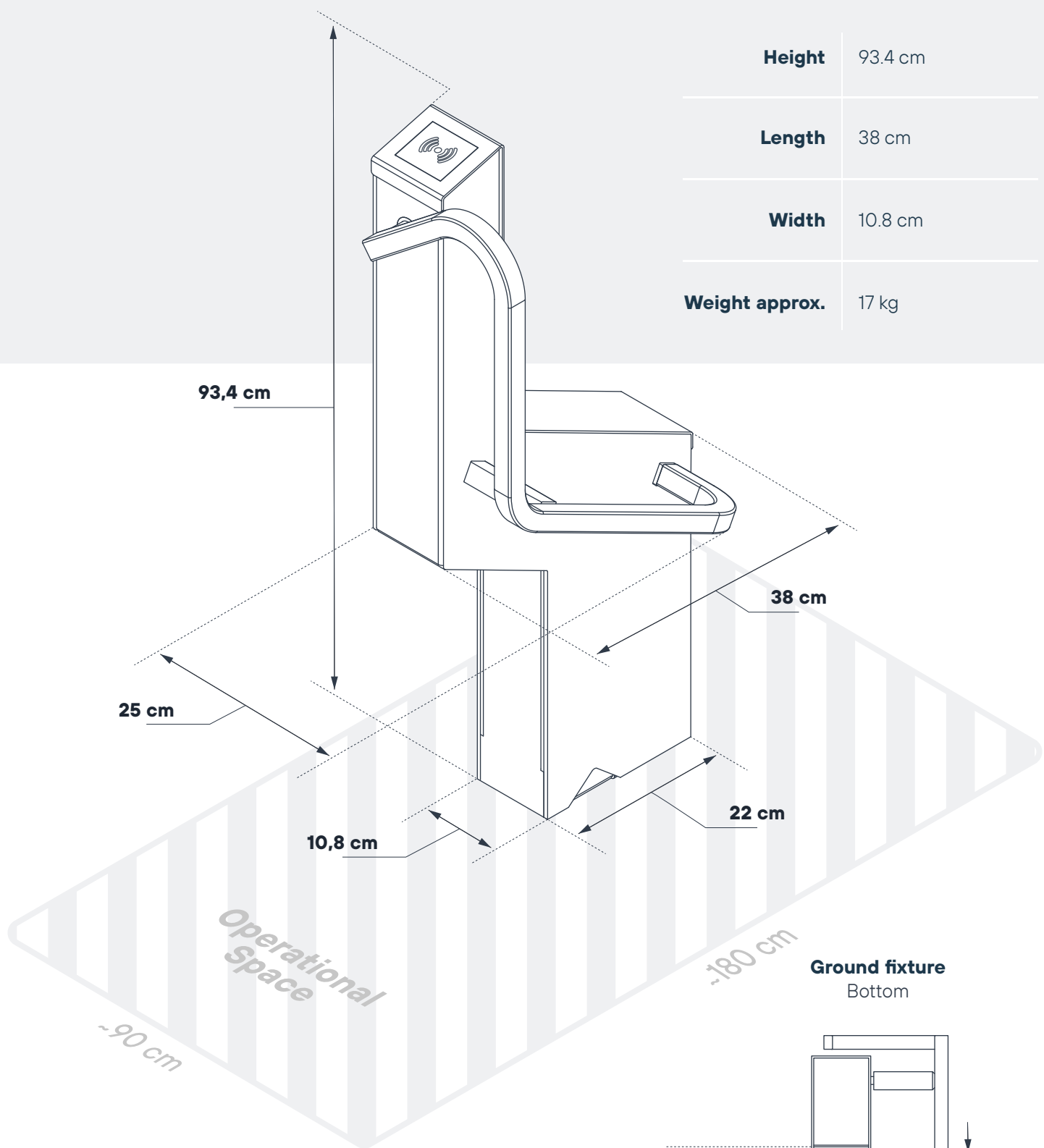


Locked

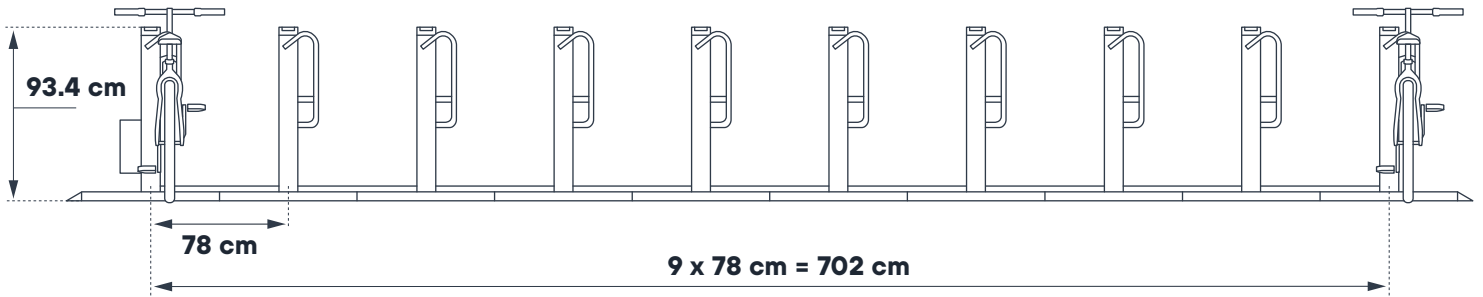


DIMENSIONS

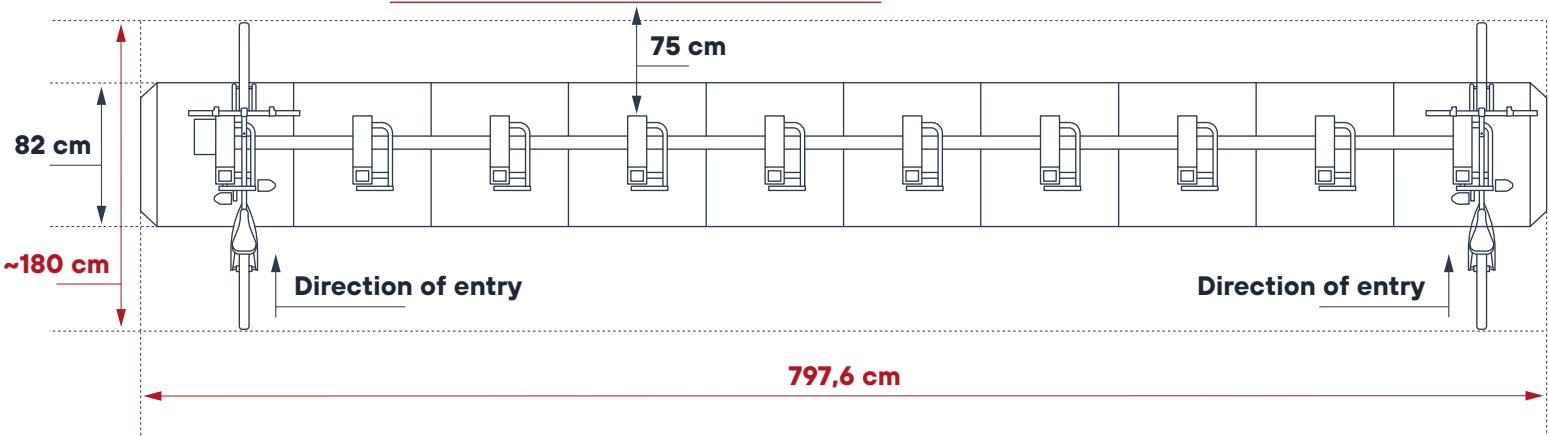
Height	93.4 cm
Length	38 cm
Width	10.8 cm
Weight approx.	17 kg



Operational dimensions

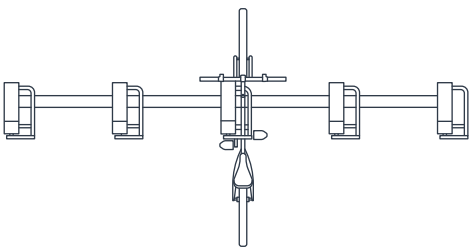


Minimum space in front of the docks 75 cm

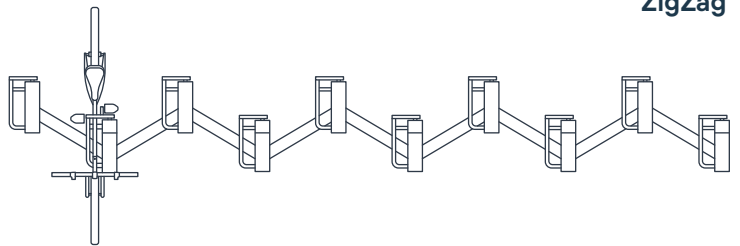


Layout options

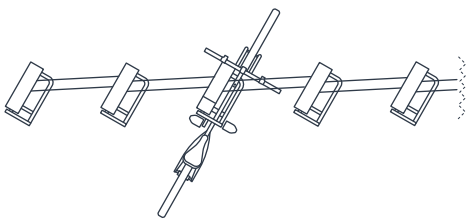
Straight (DEFAULT LAYOUT)



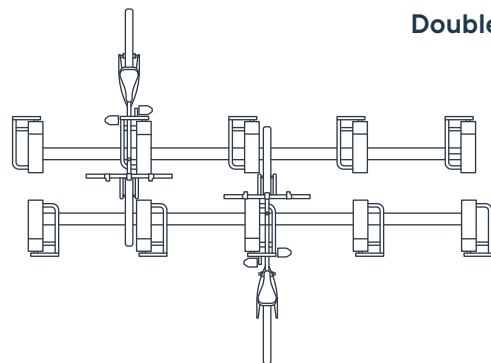
ZigZag



30 Degrees



Double-sided



OPERATING ENVIROMENT



Operating temperature.

-35 °C to 70 °C.



Ingress Protection Rating

IP55



Operating humidity.

10% to 90% non-condensing.



MTBF

230 000h

Regulatory approvals



Materials

- 2.5mm steel sheet metal
- Corrosivity category C4
- Teknos INFRALIT powder coating



POWER REQUIREMENTS

Locking only

Input voltage: 24DC or 110/230VAC
1W per dock and per the main controller 10W

Nr. of docks	Power consumption	Power requirement
5 dock station	15W	Less than 1A @230VAC or Less than 1A @110VAC
10 dock station	20W	Less than 1A @230VAC or Less than 1A @110VAC
15 dock station	25W	Less than 1A @230VAC or Less than 1A @110VAC
25 dock station	40W	Less than 1A @230VAC or Less than 1A @110VAC

Locking & Charging station

Input voltage: 110/230VAC
⚠ Scooter chargers require line power 110/230VAC

Nr. of docks	Power consumption	Power requirement for E-charger Station
5 dock station	0.75kW	3.25A @230VAC or ~7 @110VAC
10 dock station	1.5kW	6.5A @230VAC or ~14A @110VAC
20 dock station	3kW	13A @230VAC or ~27A @110VAC

Calculations based on 150W chargers that are charging at full load.
The actual power requirements may differ.

