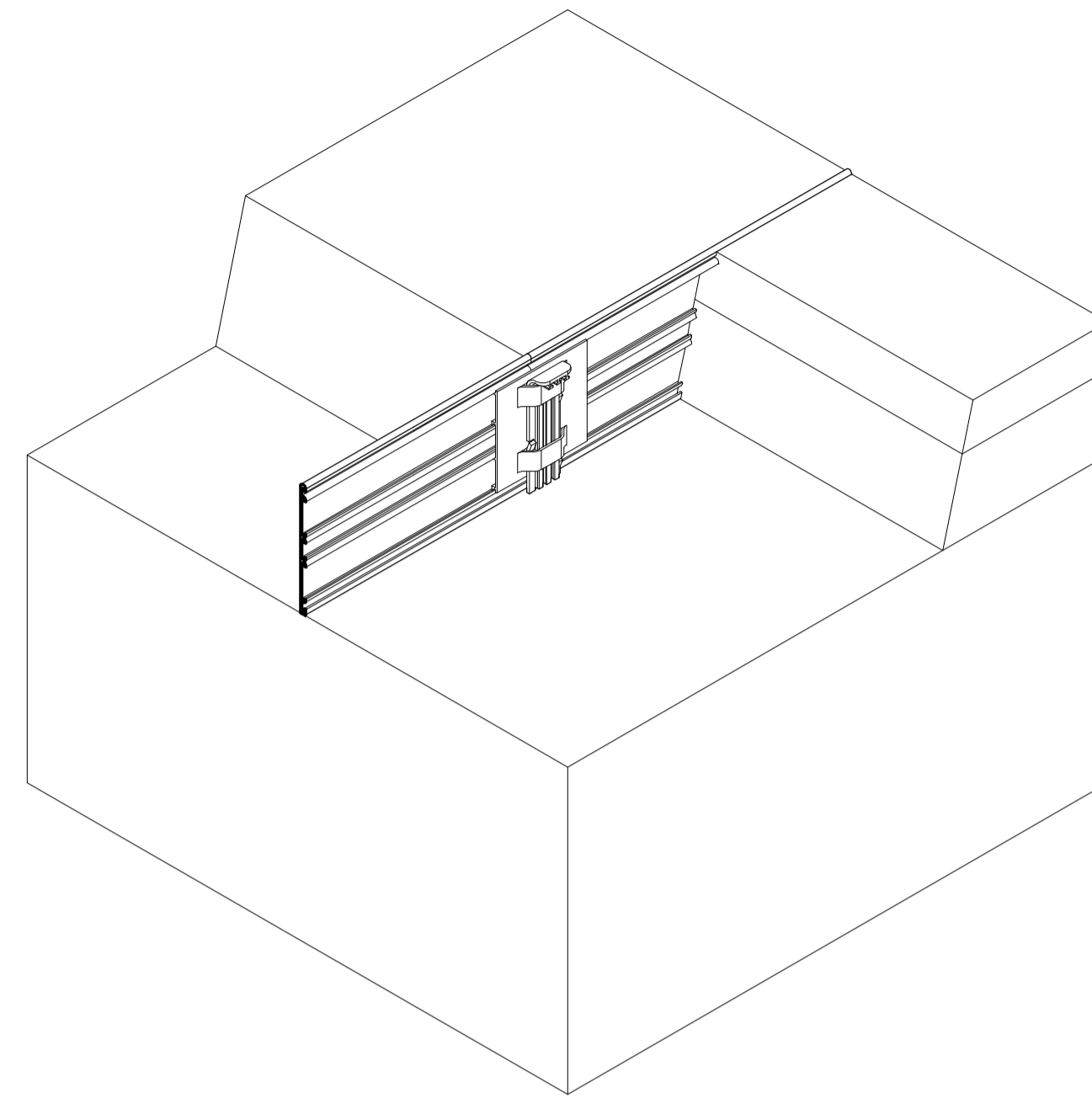
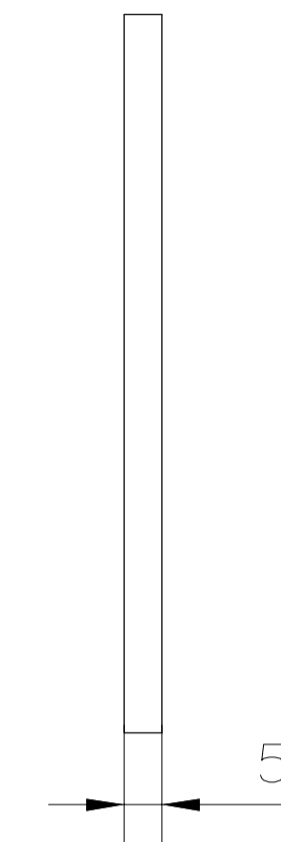


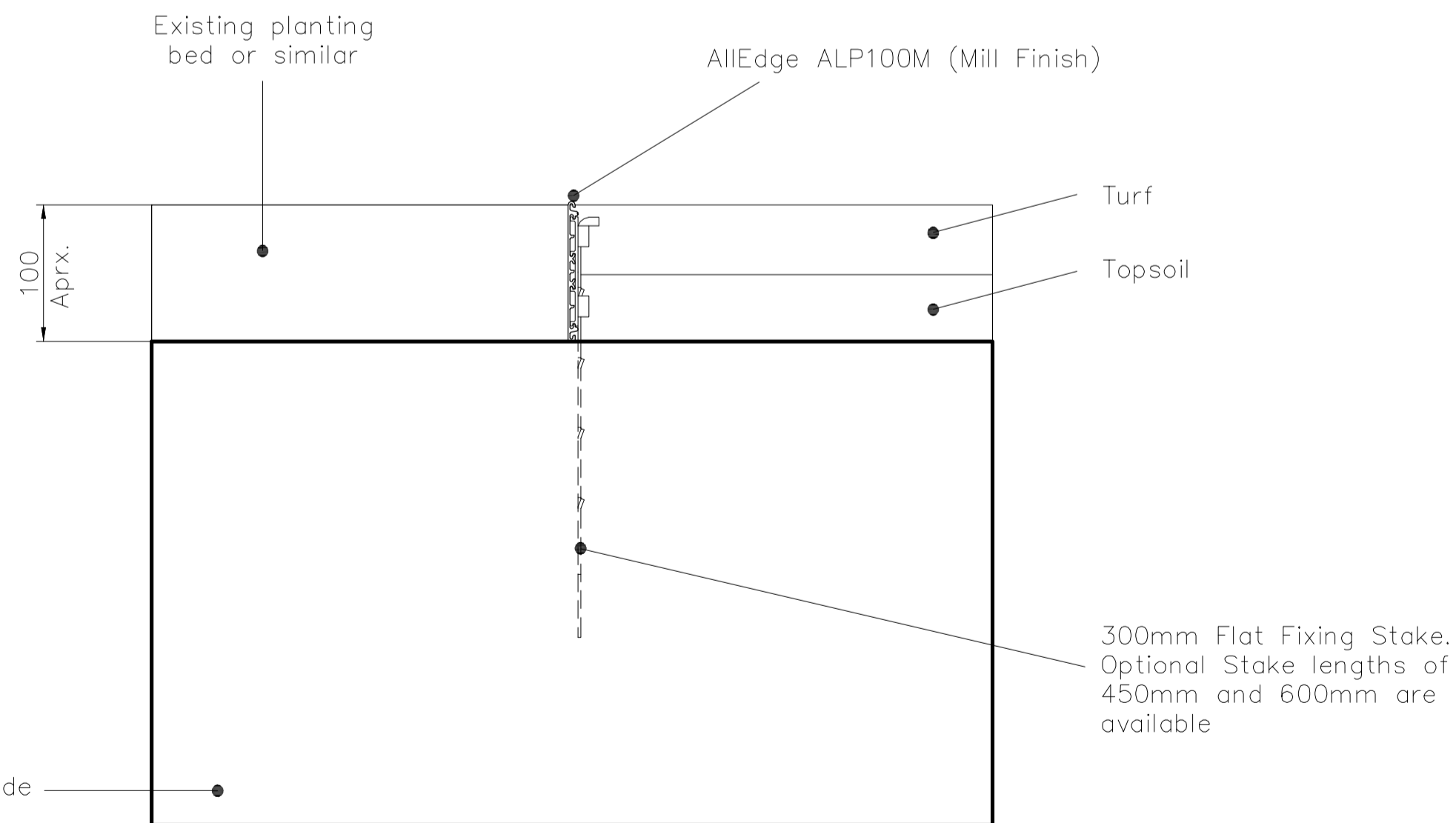
PLAN  
SCALE 1:4



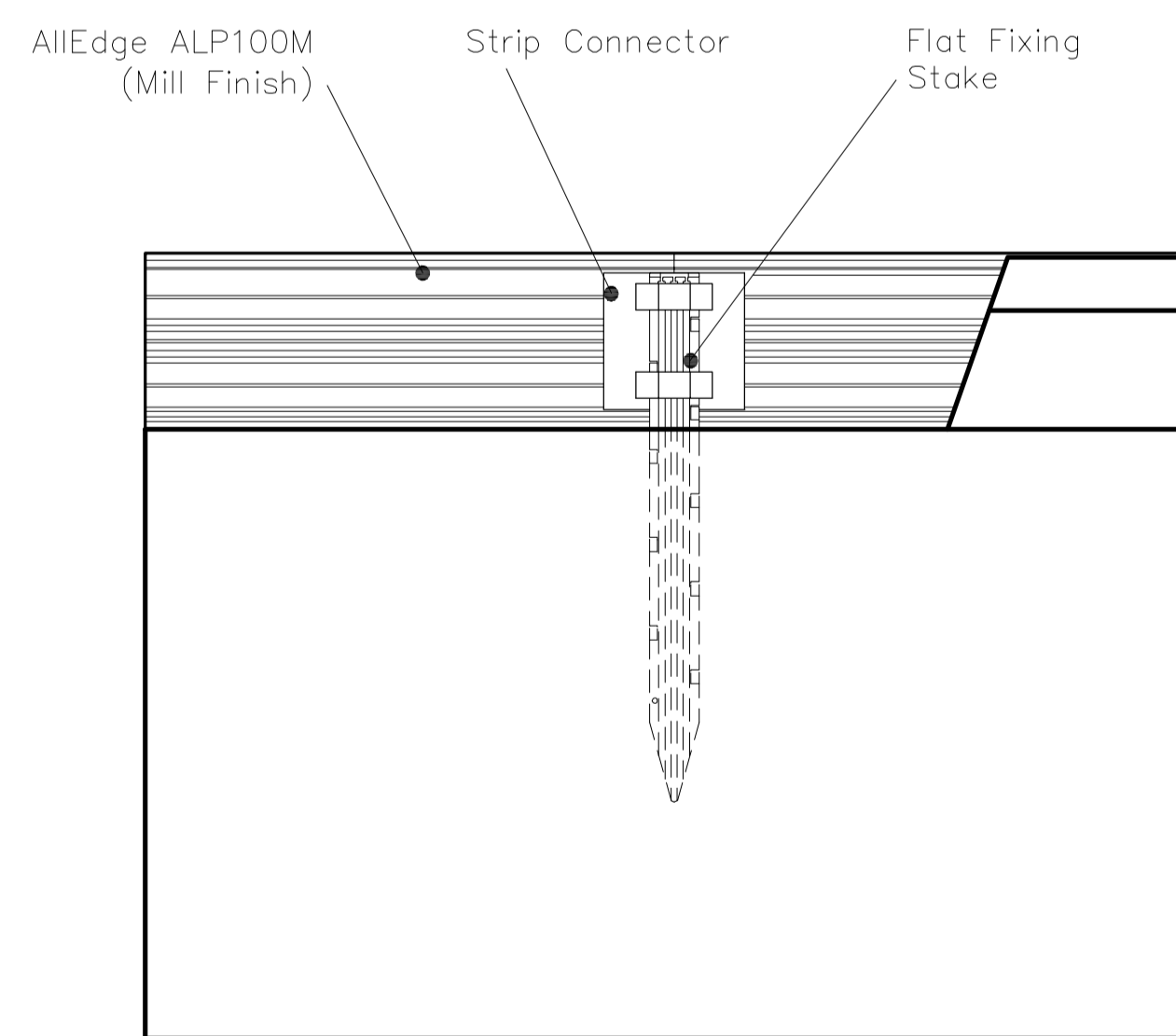
ISOMETRIC CUT-AWAY VIEW  
NTS



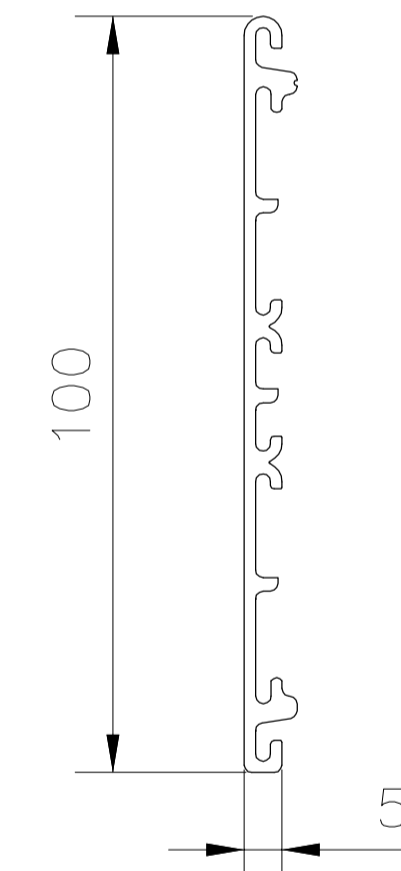
PROFILE PLAN  
SCALE 1:1



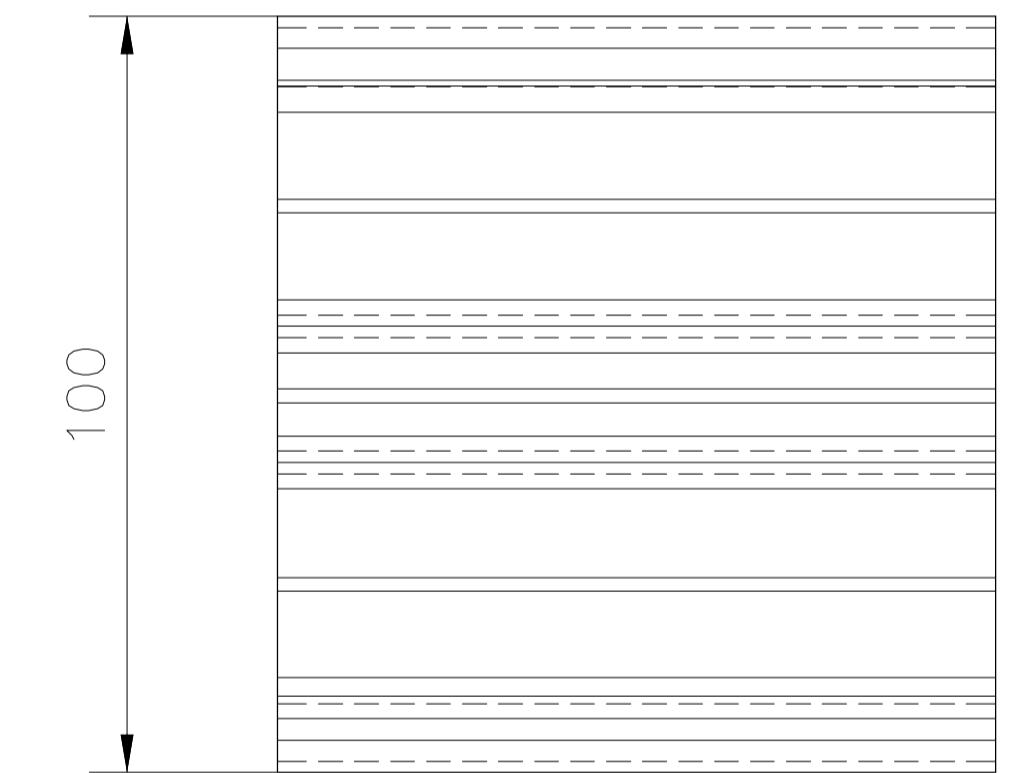
SECTION  
SCALE 1:4



JOINER DETAIL  
SCALE 1:4




PROFILE SECTION  
SCALE 1:1



PROFILE ELEVATION  
SCALE 1:1

- Product Codes  
 ALP100M/300 - AllEdge 100, Mill Finish,  
 300mm Flat Fixing Stakes  
 ALP100M/450 - AllEdge 100, Mill Finish,  
 450mm Flat Fixing Stakes  
 ALP100M/600 - AllEdge 100, Mill Finish,  
 600mm Flat Fixing Stakes

Title <b>AllEdge 100 - CAD Drawing</b>			
Scale <b>1:4</b>	Size <b>A1</b>	Sheet <b>1/1</b>	Drawing No. <b>CD-ALP100-0316</b>
<b>Edging</b> Division	<b>ExcelEdge</b> Collection	<b>AllEdge</b> Range	 Kinley Systems Ltd, Northpoint, Compass Park, Staplecross, East Sussex, TN32 5BS +44 (0) 1580 830688 / sales@kinley.co.uk www.kinley.co.uk
Kinley Systems Ltd, Northpoint, Compass Park, Staplecross, East Sussex, TN32 5BS +44 (0) 1580 830688 / sales@kinley.co.uk www.kinley.co.uk			